



US00D804617S

(12) **United States Design Patent**  
**Armstrong**

(10) **Patent No.:** **US D804,617 S**

(45) **Date of Patent:** **\*\* Dec. 5, 2017**

(54) **PLUMBING DEVICE**

(71) Applicant: **Russell Winston Armstrong,**  
Chellaston (GB)

(72) Inventor: **Russell Winston Armstrong,**  
Chellaston (GB)

(\*\*) Term: **15 Years**

(21) Appl. No.: **29/537,504**

(22) Filed: **Aug. 26, 2015**

(51) **LOC (10) Cl.** ..... **23-01**

(52) **U.S. Cl.**  
USPC ..... **D23/259**

(58) **Field of Classification Search**  
USPC ..... D23/233–237, 259–265, 268, 269, 206,  
D23/209–210; 4/286–287; 285/3–4, 34,  
285/38, 58–60; 138/172, 177;  
210/321.6, 322, 323.1, 323.2, 332, 342;  
D8/396, 382

CPC ... E03C 1/26; E03C 1/28; E03C 1/232; E03C  
1/262; E03C 1/264; E03C 1/284; E03F  
5/04; A47J 47/20; A47K 1/14; F16L  
17/025; F16L 17/035; F16L 17/04

See application file for complete search history.

(56) **References Cited**

**U.S. PATENT DOCUMENTS**

- 2,001,244 A \* 5/1935 Ezell ..... F16L 37/1215  
285/314
- D143,545 S \* 1/1946 Pond ..... D23/209
- D202,147 S \* 8/1965 Peters ..... D23/209
- D269,454 S \* 6/1983 Houseman ..... D23/261
- 4,530,525 A \* 7/1985 Schneider ..... A61J 1/1406  
285/148.18

- 4,890,863 A \* 1/1990 Westhoff ..... F16L 5/10  
277/606
- D321,565 S \* 11/1991 Schalle ..... D25/199
- D328,778 S \* 8/1992 Gefter ..... D23/210
- D443,929 S \* 6/2001 Wilkinson ..... D24/129
- D696,388 S \* 12/2013 Letnik ..... D23/259

**FOREIGN PATENT DOCUMENTS**

- DE 202012103132 U1 1/2014
- GB 2425818 A 11/2006

\* cited by examiner

*Primary Examiner* — Eric Goodman

*Assistant Examiner* — Amy Wierenga

(74) *Attorney, Agent, or Firm* — Westman, Champlin &  
Koehler P.A.; Z. Peter Sawicki; Amanda M. Prose

(57) **CLAIM**

The ornamental design for a plumbing device, as shown and described.

**DESCRIPTION**

FIG. 1 is a top perspective view of a plumbing device.

FIG. 2 is a bottom perspective view thereof;

FIG. 3 is a top view thereof;

FIG. 4 is a right side view thereof;

FIG. 5 is a front view thereof; and,

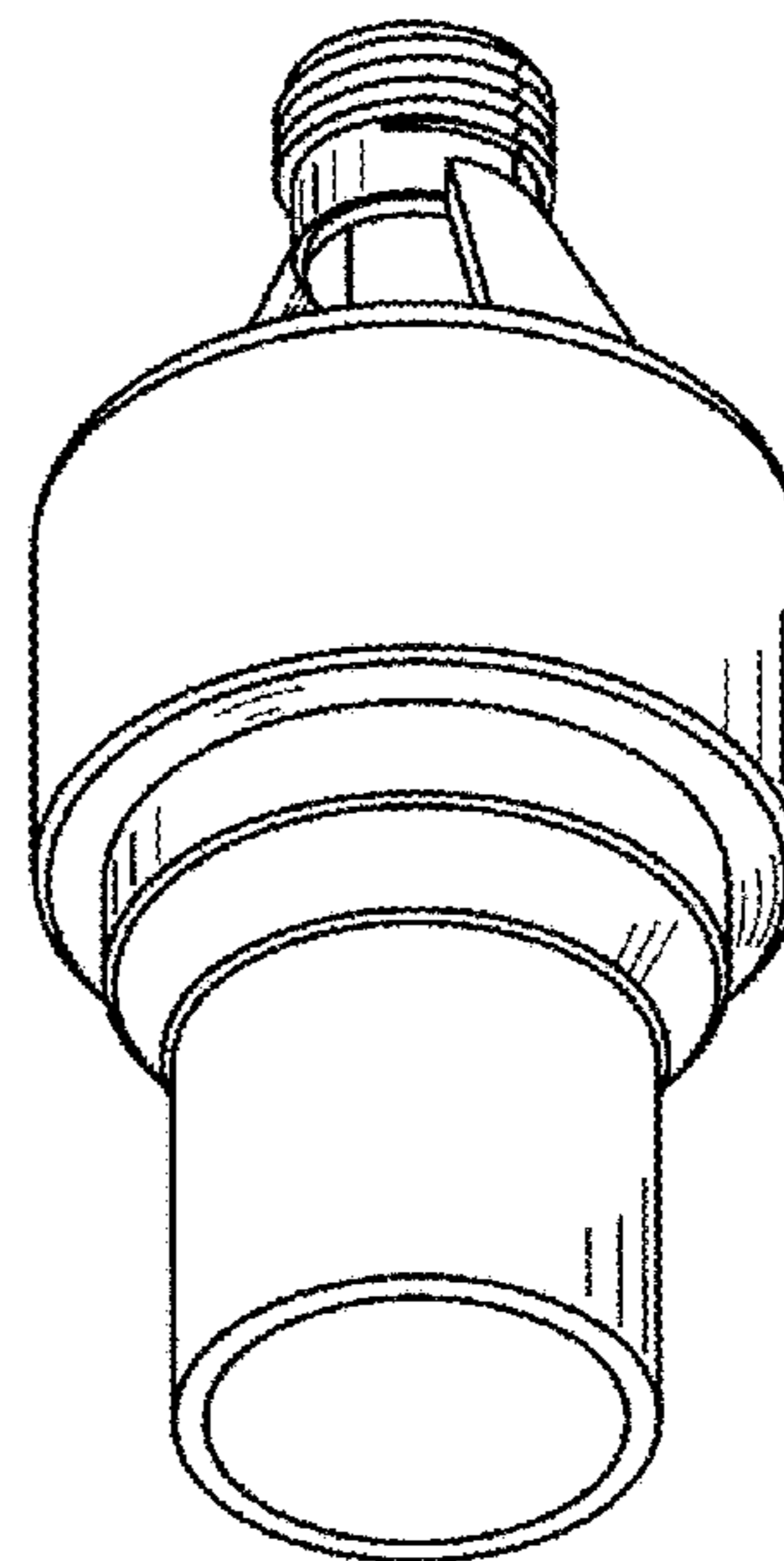
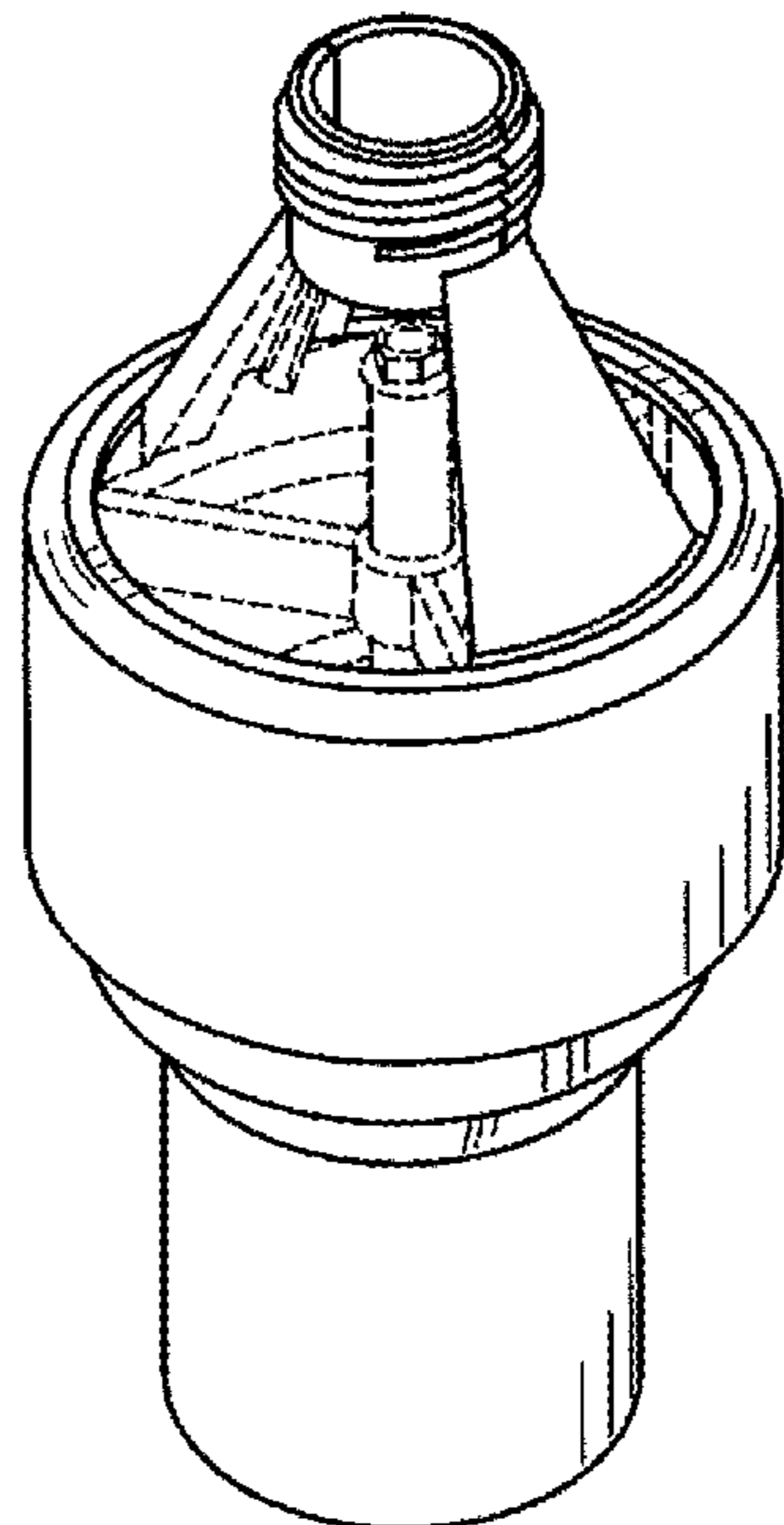
FIG. 6 is a bottom view thereof.

The front and back views of the plumbing device are identical.

The right and left side views of the plumbing device are identical.

The dashed or dotted lines form no part of the claimed design.

**1 Claim, 2 Drawing Sheets**



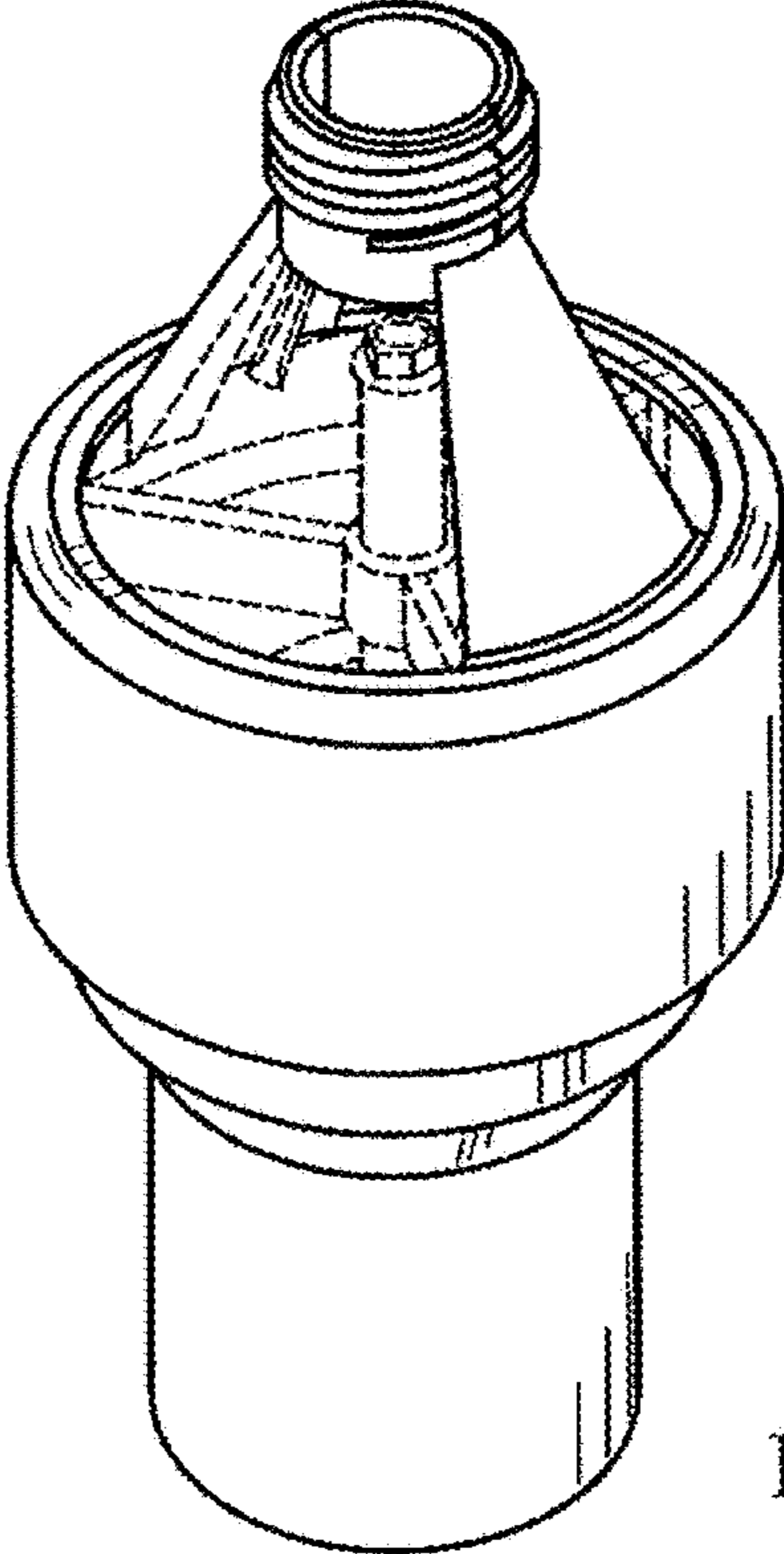


FIG. 1

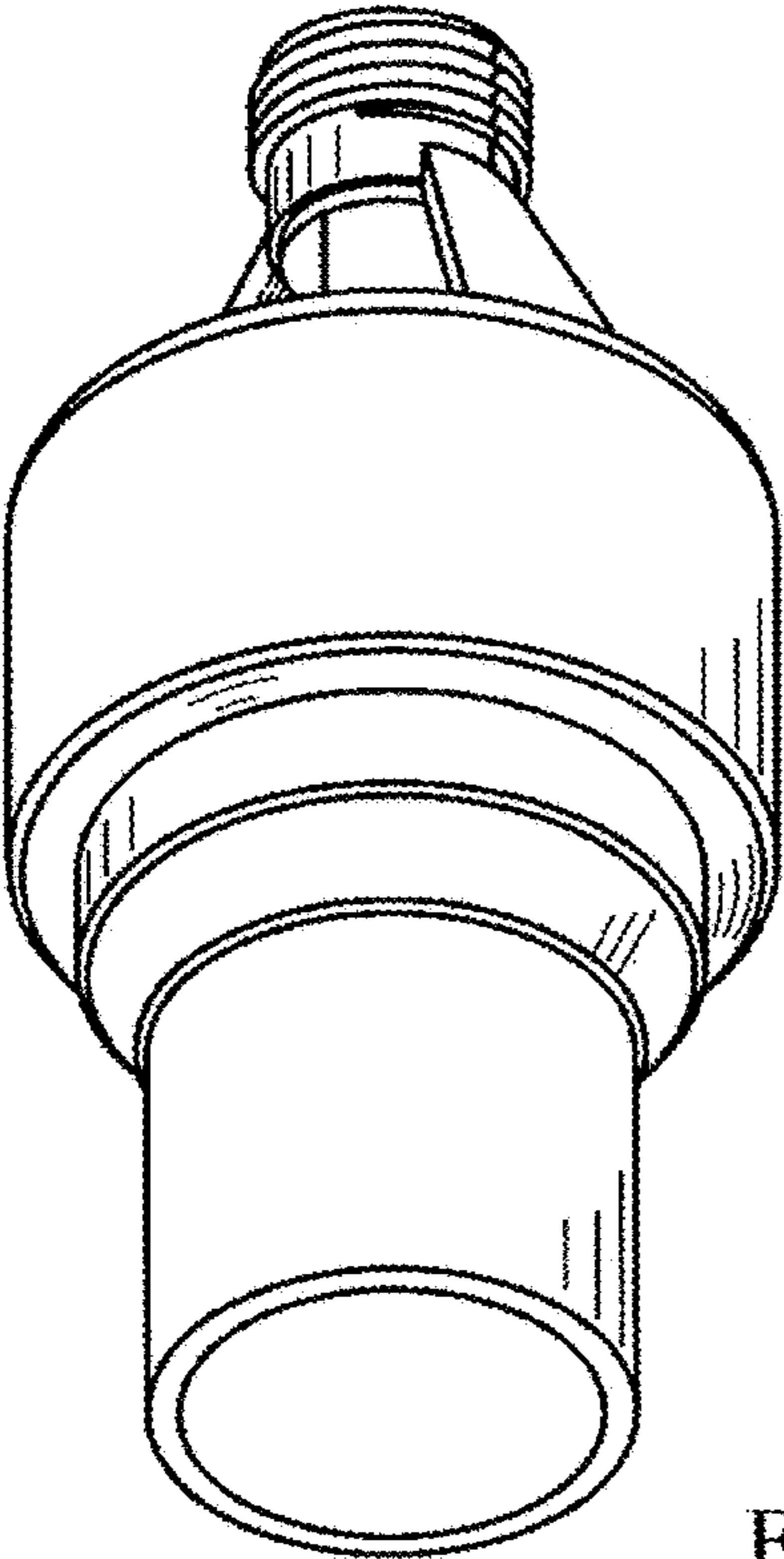


FIG. 2

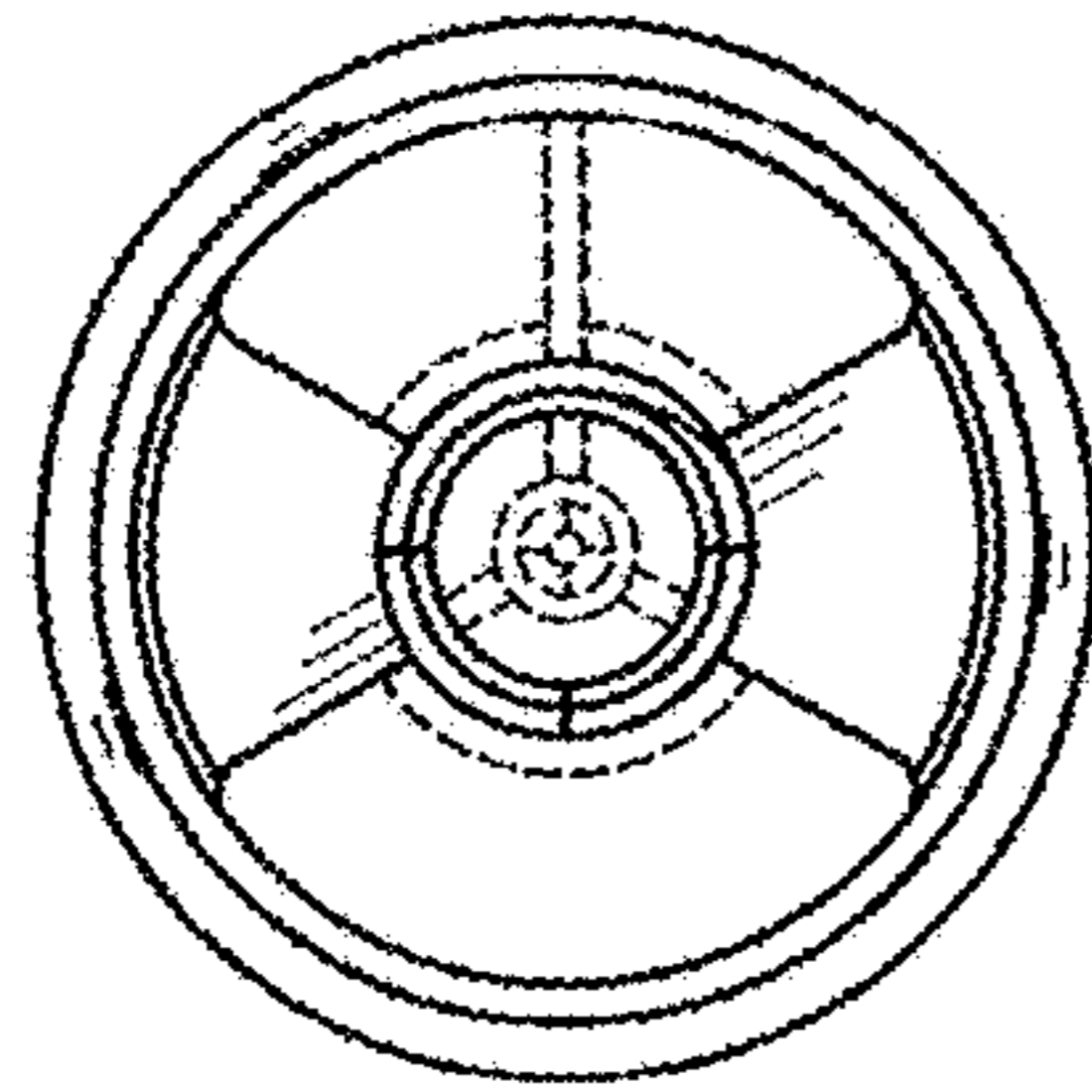


FIG. 3

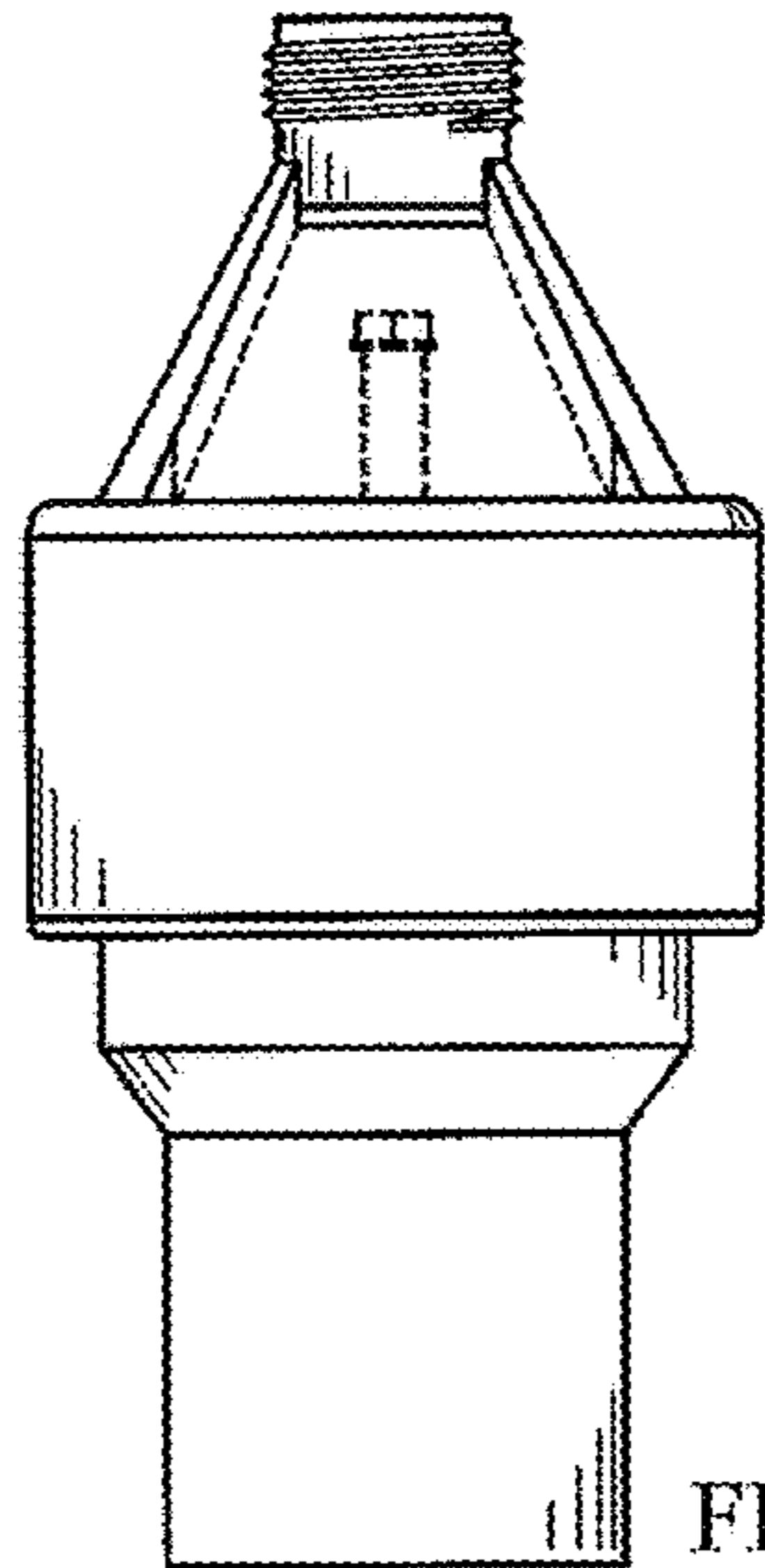


FIG. 4

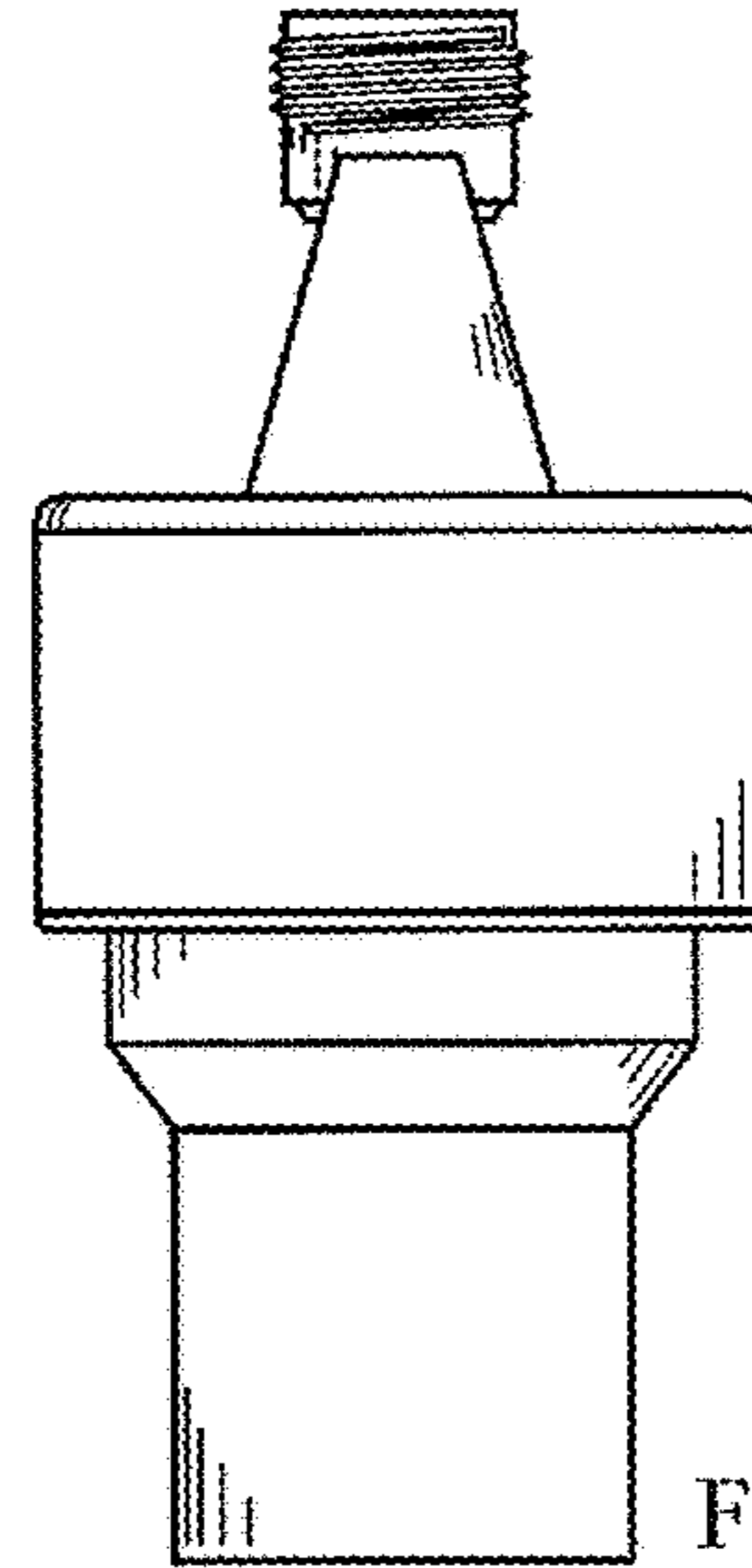


FIG. 5

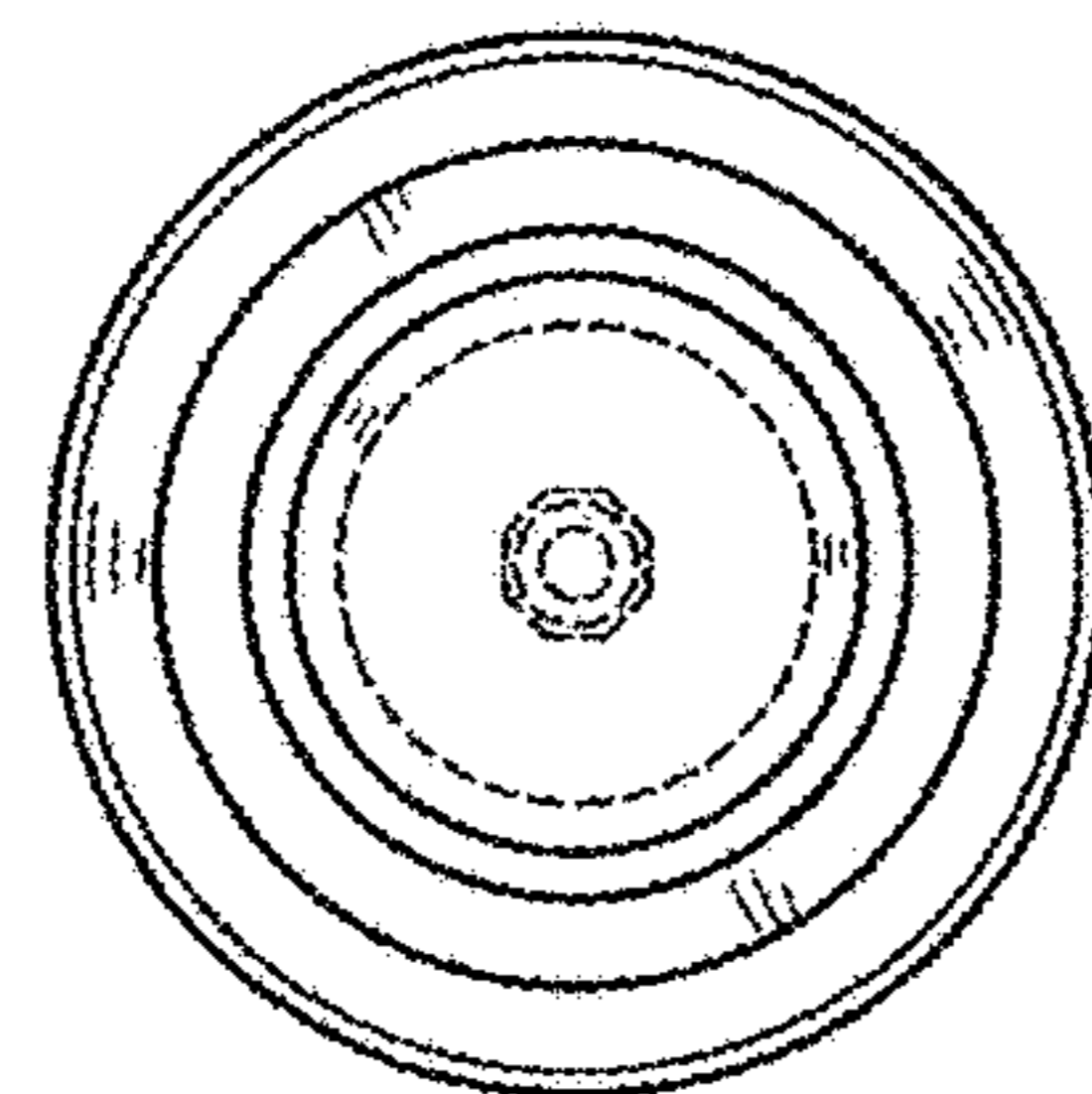


FIG. 6