



US00D804616S

(12) **United States Design Patent** (10) **Patent No.:** **US D804,616 S**
Flowers et al. (45) **Date of Patent:** **** Dec. 5, 2017**

(54) **FAUCET**

D612,015 S * 3/2010 Lammel D23/238
D651,284 S * 12/2011 Flowers D23/243
D709,166 S * 7/2014 Yu D23/238

(71) Applicant: **Grohe AG**, Hemer (DE)

* cited by examiner

(72) Inventors: **Paul Flowers**, London (GB); **Hans Lobermeier**, Menden (GB)

Primary Examiner — Robert A Delehanty

(73) Assignee: **Grohe AG**, Hemer (DE)

(74) *Attorney, Agent, or Firm* — Muncy, Geissler, Olds & Lowe, P.C.

(**) Term: **15 Years**

(21) Appl. No.: **29/581,160**

(57) **CLAIM**

(22) Filed: **Oct. 17, 2016**

The ornamental design for a faucet, as shown and described.

(30) **Foreign Application Priority Data**

Apr. 15, 2016 (EM) 003070135-0002

DESCRIPTION

(51) **LOC (10) Cl.** **23-01**

(52) **U.S. Cl.**
USPC **D23/238**

(58) **Field of Classification Search**
USPC D23/238-242, 249-250, 252, 254-255,
D23/257

CPC Y10T 137/9464
See application file for complete search history.

FIG. 1 is a front perspective view of a faucet according to the present invention.

FIG. 2 is a front view of the faucet of FIG. 1.

FIG. 3 is a rear view of the faucet of FIG. 1.

FIG. 4 is a left side view of the faucet of FIG. 1.

FIG. 5 is a right side view of the faucet of FIG. 1.

FIG. 6 is a top view of the faucet of FIG. 1; and,

FIG. 7 is a bottom view of the faucet of FIG. 1.

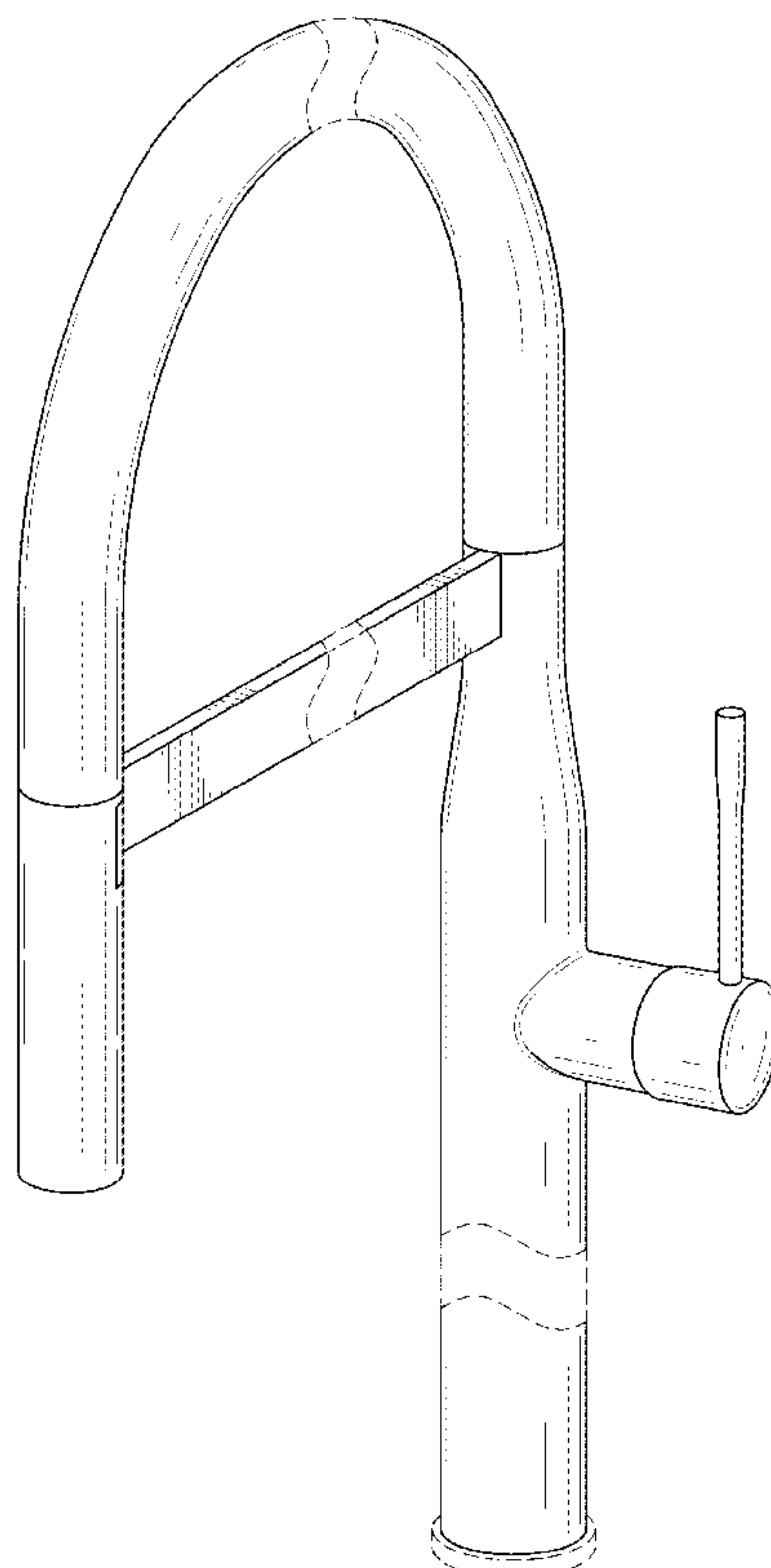
The dashed lines illustrate environment that does not form a part of the present invention, and no claim is made to the material illustrated with dashed lines.

(56) **References Cited**

U.S. PATENT DOCUMENTS

D479,579 S * 9/2003 Haug D23/238
D589,594 S * 3/2009 Lammel D23/238

1 Claim, 7 Drawing Sheets



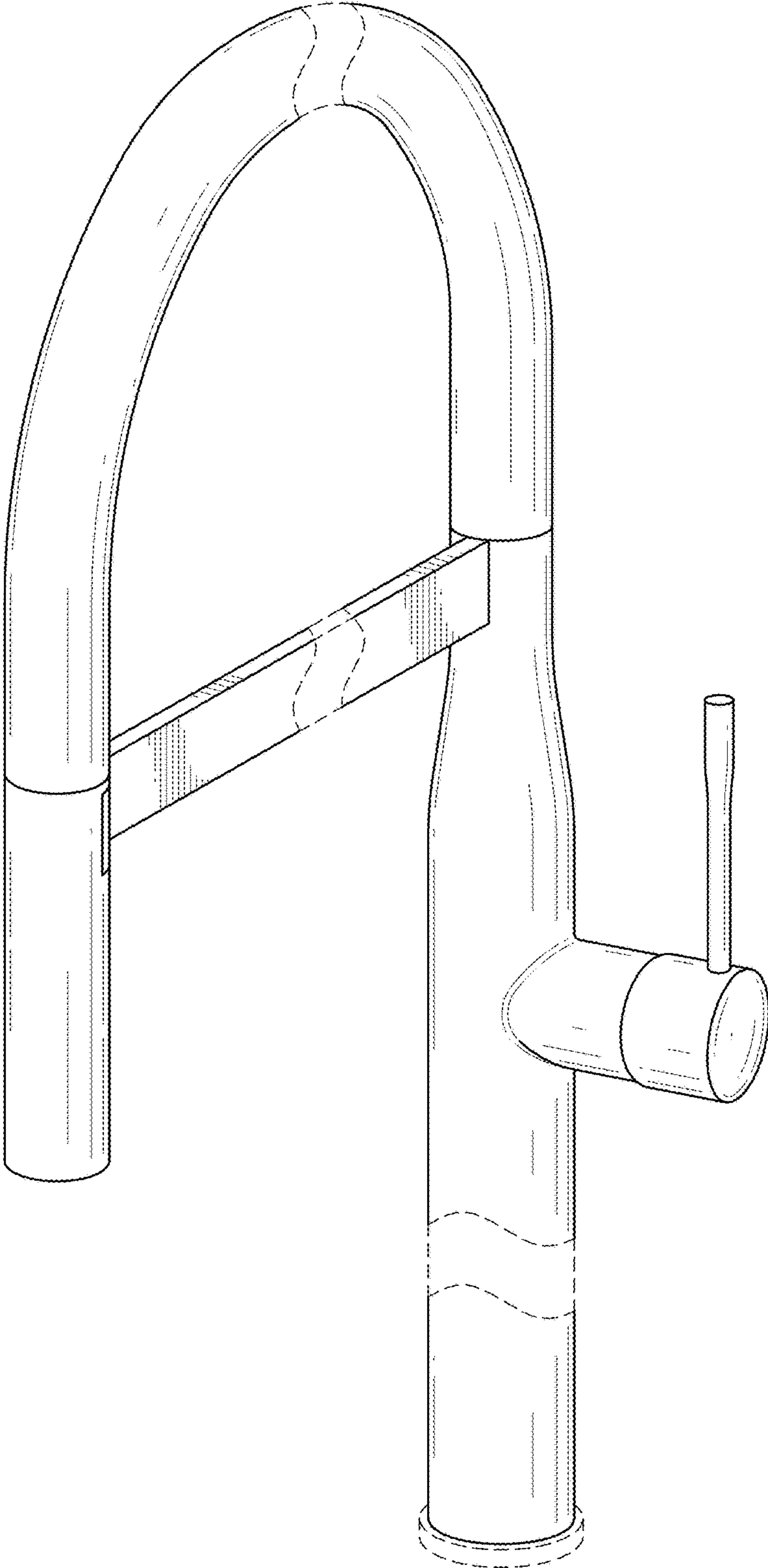


FIG.1

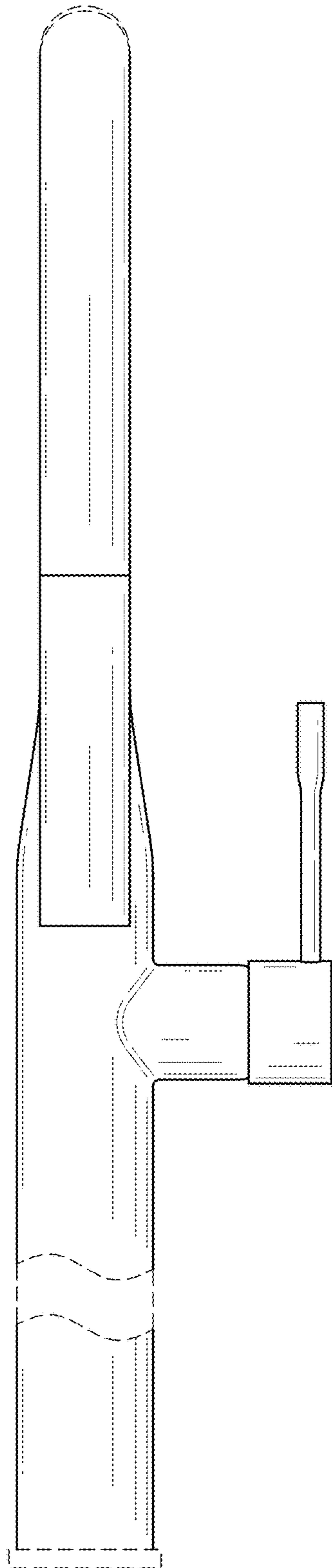


FIG.2

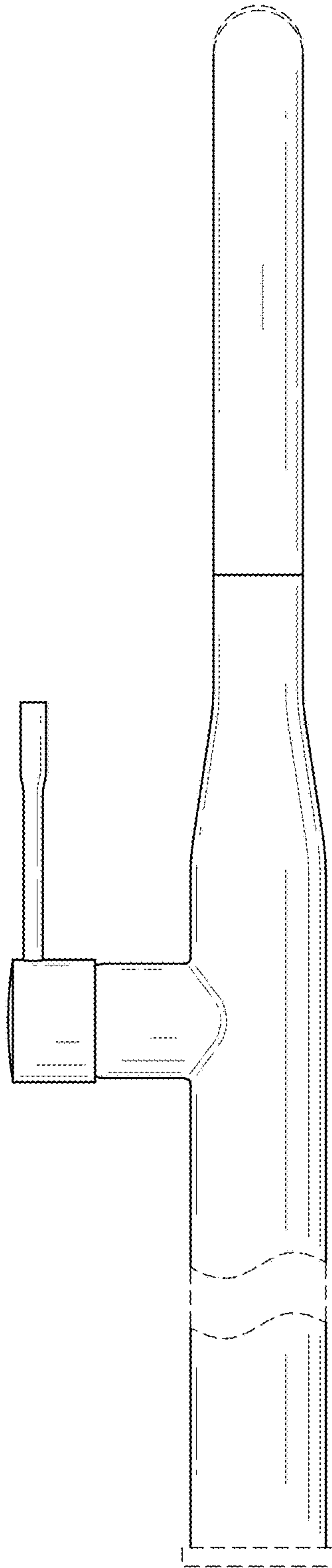


FIG.3

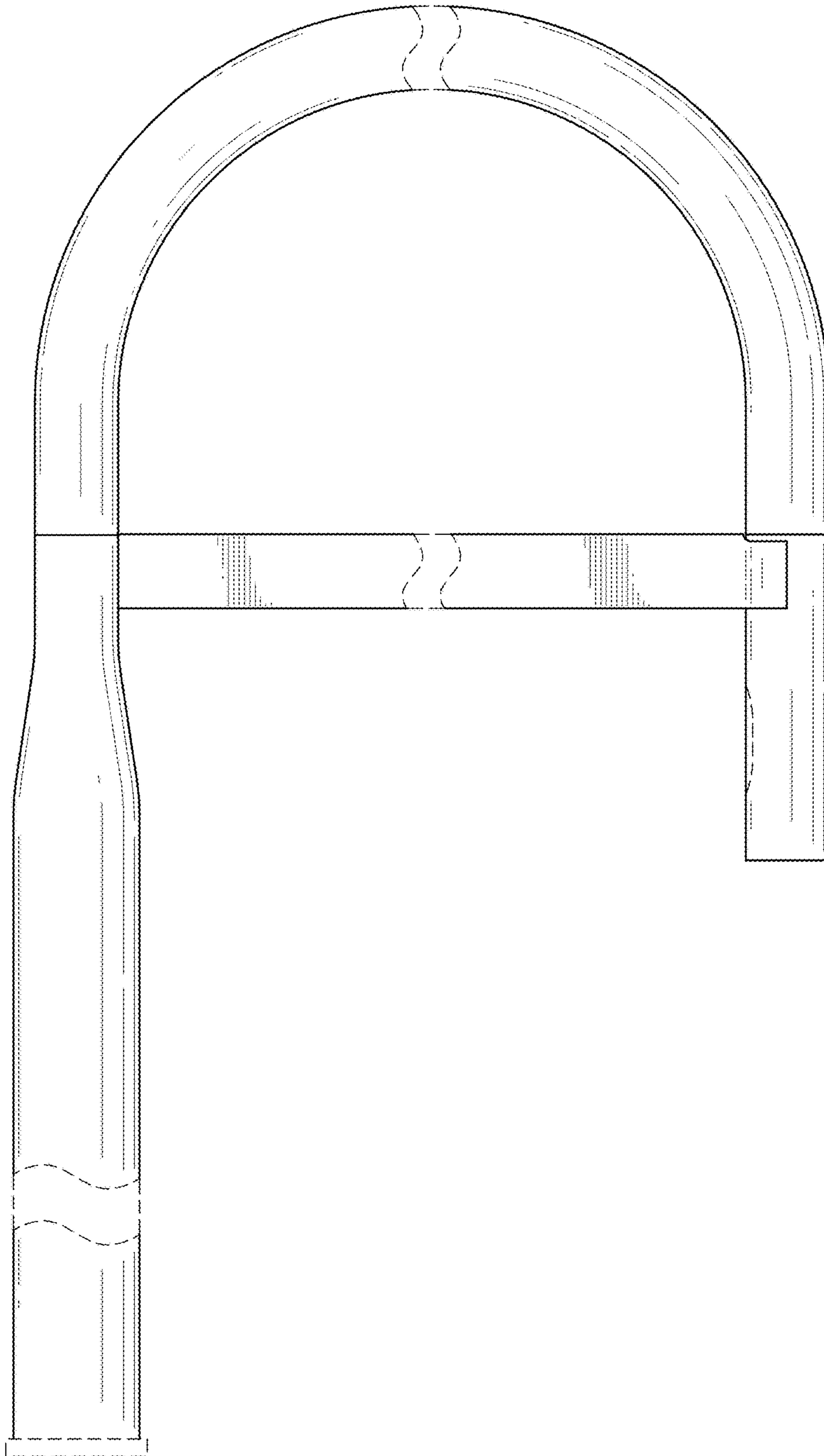


FIG.4

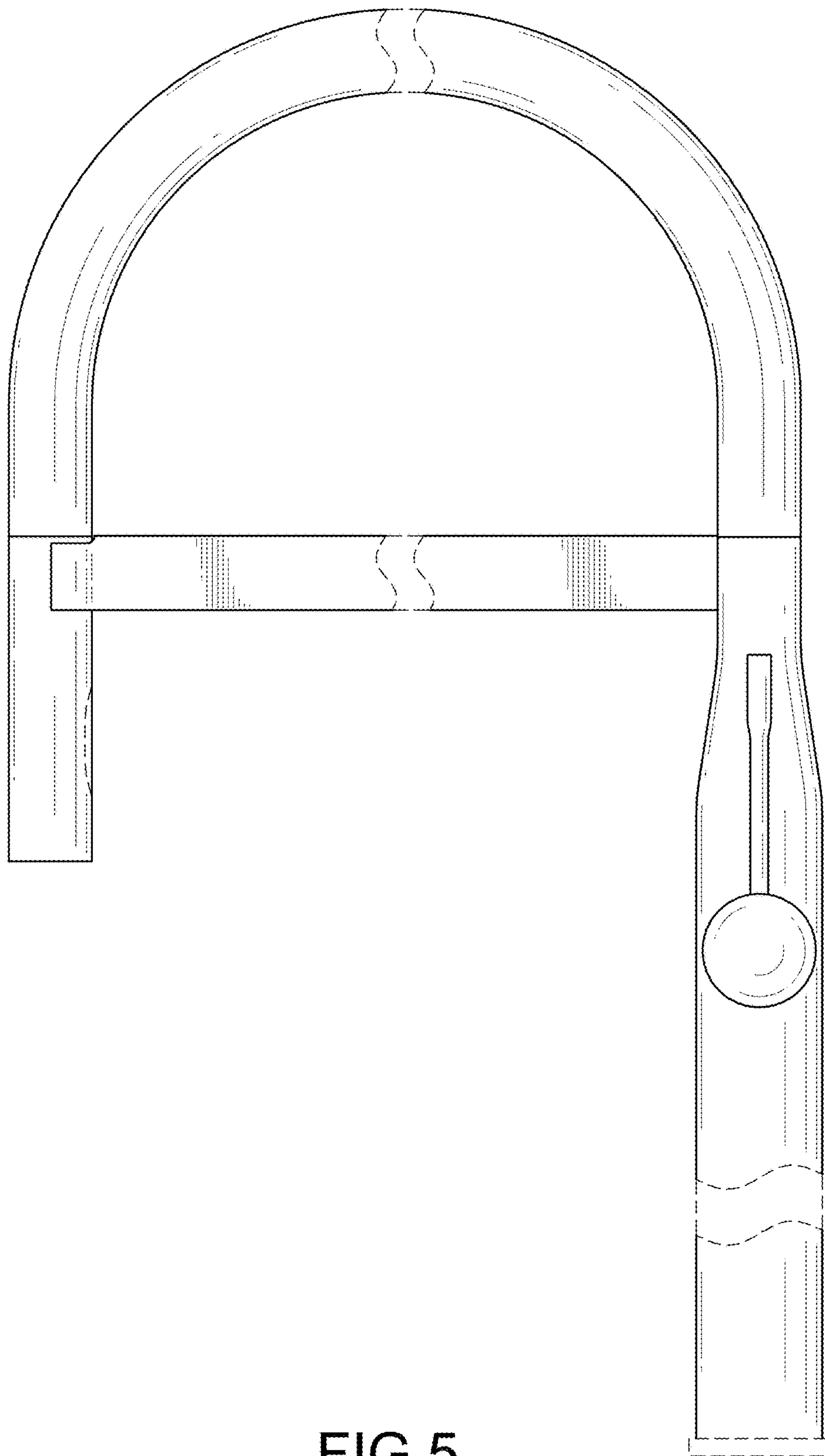


FIG.5

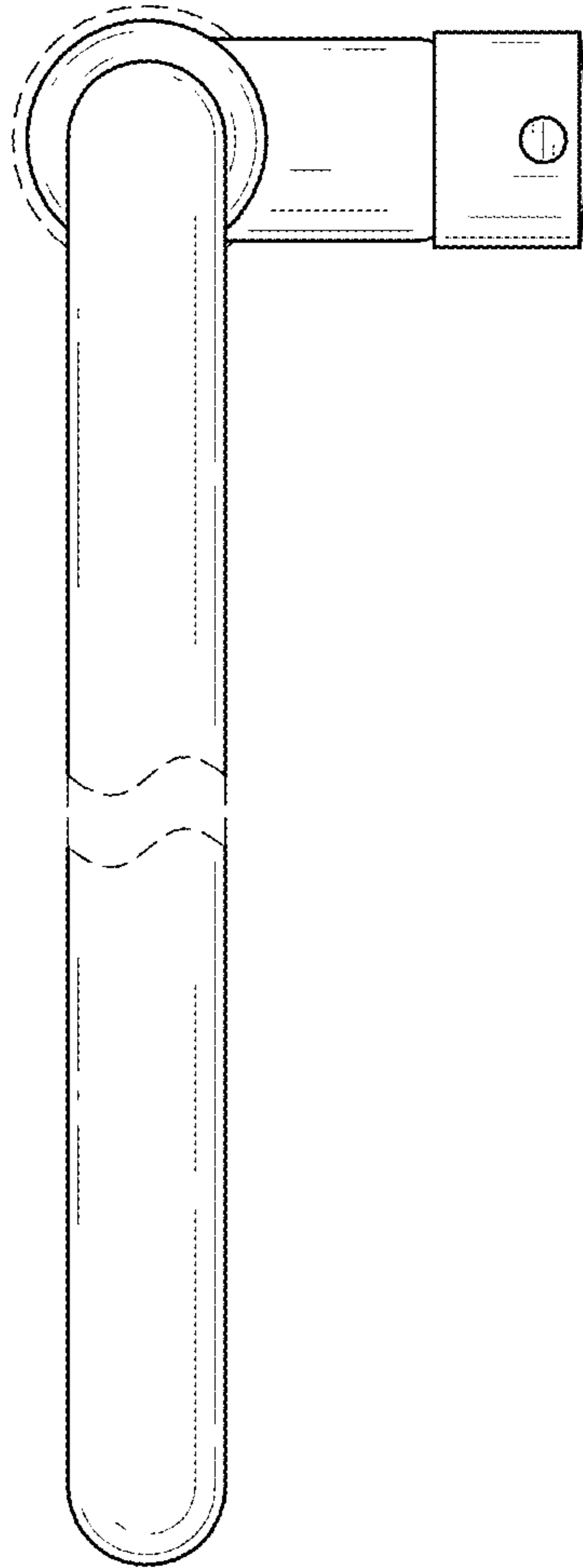


FIG.6

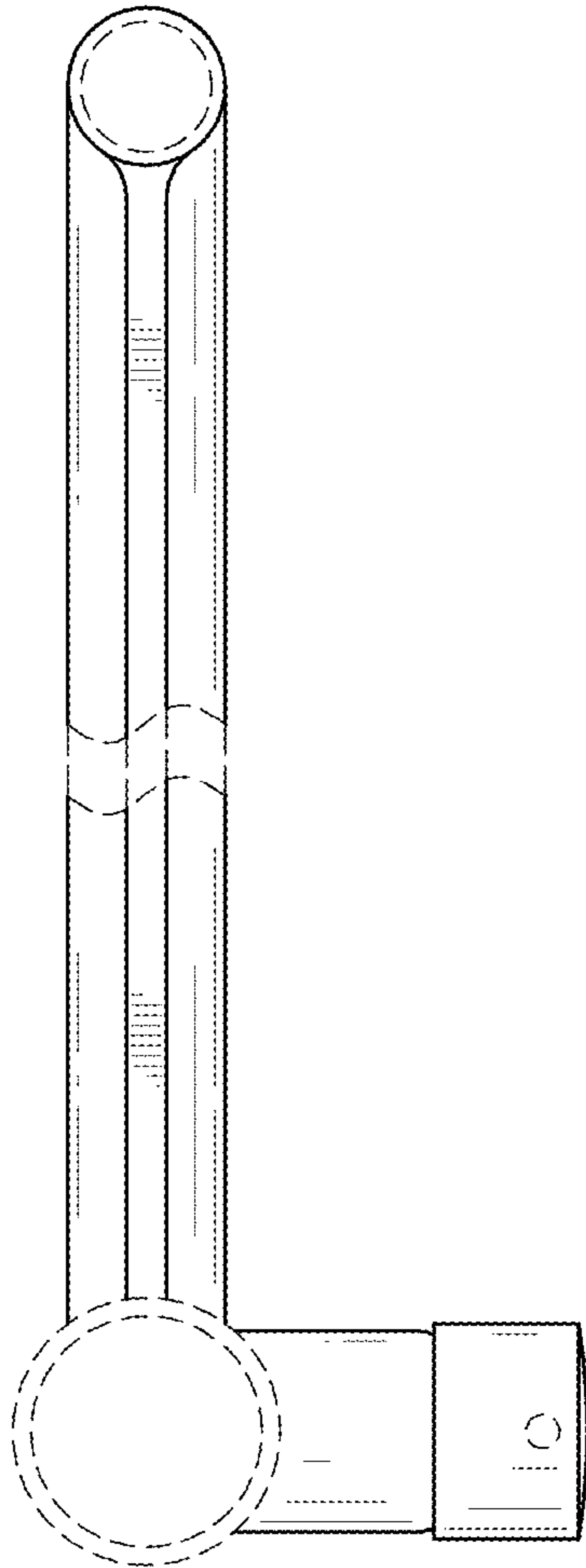


FIG.7

UNITED STATES PATENT AND TRADEMARK OFFICE
CERTIFICATE OF CORRECTION

PATENT NO. : D804,616 S
APPLICATION NO. : 29/581160
DATED : December 5, 2017
INVENTOR(S) : Flowers et al.

Page 1 of 1

It is certified that error appears in the above-identified patent and that said Letters Patent is hereby corrected as shown below:

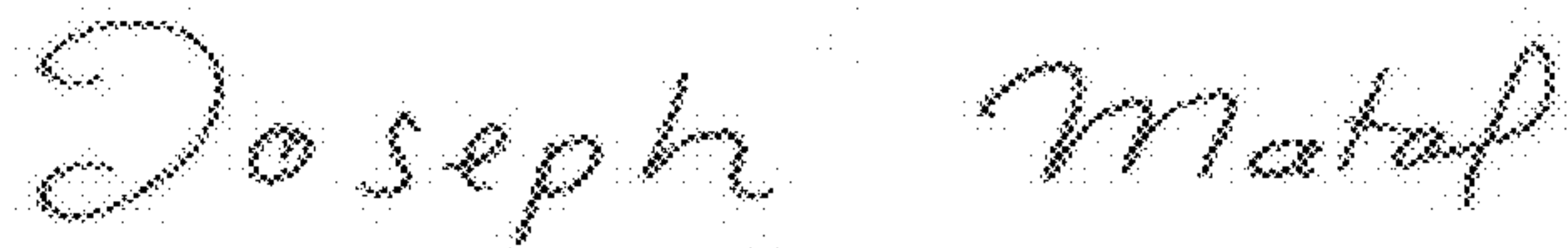
On the Title Page

(72) Inventors shows: **Paul Flowers**, London (GB); **Hans Lobermeier**, Menden (GB)

It should show:

(72) Inventors: **Paul Flowers**, London (GB); **Hans Lobermeier**, Menden (DE)

Signed and Sealed this
Sixth Day of February, 2018



Joseph Matal

*Performing the Functions and Duties of the
Under Secretary of Commerce for Intellectual Property and
Director of the United States Patent and Trademark Office*