



US00D804614S

(12) **United States Design Patent** (10) **Patent No.:** **US D804,614 S**
Pitera et al. (45) **Date of Patent:** **** Dec. 5, 2017**

(54) **ADAPTOR FOR SECURING LIQUID CONTAINMENT DEVICE TO SPRAY GUN**

6,662,411 B2 12/2003 Rubenstein et al.
7,032,839 B2 * 4/2006 Blette B05B 7/02
239/290

(71) Applicant: **3M INNOVATIVE PROPERTIES COMPANY**, St. Paul, MN (US)

7,083,119 B2 8/2006 Bouic et al.
D542,376 S * 5/2007 Blette D23/213
D616,961 S * 6/2010 Goetz D23/213

(72) Inventors: **Dominic M. Pitera**, San Francisco, CA (US); **Neil Delbridge**, Atherstone (GB); **Alexander T. Ebertowski**, Burnsville, MN (US); **Scott D. Gullicks**, Woodbury, MN (US); **Anna M. Hegdahl**, Brooklyn Park, MN (US); **Stephen C. P. Joseph**, Woodbury, MN (US)

(Continued)

FOREIGN PATENT DOCUMENTS

CA 2466801 12/2004
DE 8902223.8 5/1989

(Continued)

OTHER PUBLICATIONS

(73) Assignee: **3M INNOVATIVE PROPERTIES COMPANY**, Saint Paul, MN (US)

Gunner Cup by DeVilbiss, Service Instruction, 803442/DMK-1500 Conversion Adapter, 1 page, 2011.

(Continued)

(**) Term: **15 Years**

Primary Examiner — Robin V Webster

(21) Appl. No.: **29/587,210**

(74) *Attorney, Agent, or Firm* — Aleksander Medved

(22) Filed: **Dec. 12, 2016**

(51) **LOC (10) Cl.** **23-01**

(57) **CLAIM**

(52) **U.S. Cl.**
USPC **D23/213**

The ornamental design for an adaptor for securing liquid containment device to spray gun, as shown and described.

(58) **Field of Classification Search**

DESCRIPTION

USPC D23/213, 223, 225, 226; D8/339
CPC B05B 1/005; B05B 7/0815; B05B 5/043;
B05B 5/0531; B05B 5/1691; B05B 9/01;
B05B 7/2408; B29C 47/682

See application file for complete search history.

FIG. 1 is a perspective view of an adaptor for securing liquid containment device to spray gun.
FIG. 2 is a front view thereof;
FIG. 3 is a rear view thereof;
FIG. 4 is a left side view thereof;
FIG. 5 is a right side view thereof;
FIG. 6 is a top view thereof; and,
FIG. 7 is a bottom view thereof.

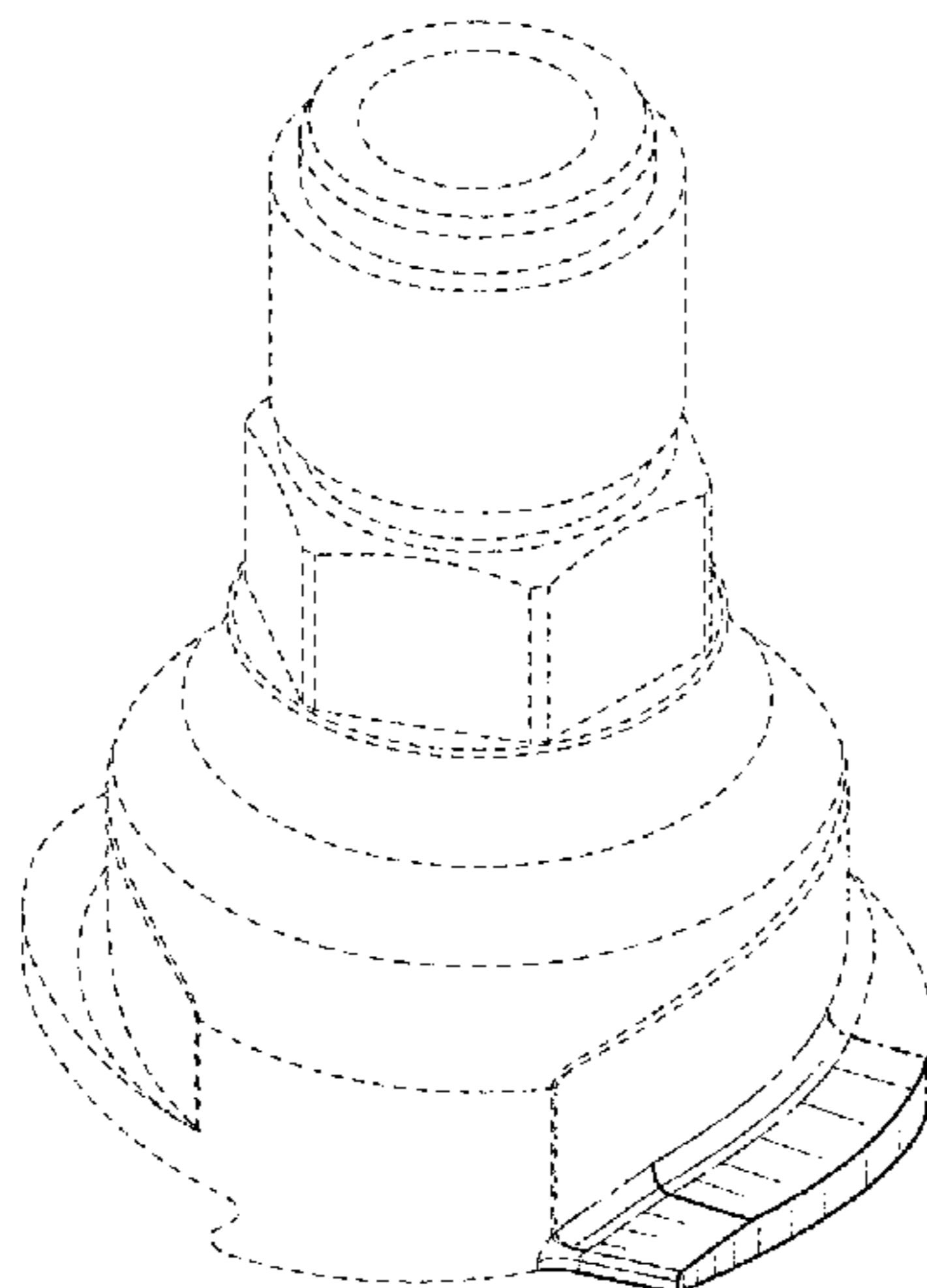
The broken line showing of portions of the nozzle is included for the purpose of illustrating and forms no part of the claimed design.

(56) **References Cited**

U.S. PATENT DOCUMENTS

1,732,691 A * 10/1929 Mueller B05B 7/0815
239/301
3,271,059 A 9/1966 Pearson
5,150,804 A 9/1992 Blanchet et al.
5,240,133 A 8/1993 Thomas, Jr.
6,547,161 B1 * 4/2003 Huang B05B 7/066
239/290

1 Claim, 2 Drawing Sheets



(56)

References Cited

U.S. PATENT DOCUMENTS

8,196,770	B2	6/2012	Kosmyna et al.
8,444,067	B2	5/2013	Schmon et al.
8,590,809	B2	11/2013	Escoto, Jr. et al.
2005/0092770	A1	5/2005	Yechouron
2006/0251473	A1	11/2006	Tyski
2012/0000992	A1	1/2012	Shih
2013/0186981	A1	7/2013	Bums
2013/0221130	A1	8/2013	Joseph et al.
2014/0178126	A1	6/2014	Bums

FOREIGN PATENT DOCUMENTS

DE	102009034715	1/2011
WO	98/32539	7/1998
WO	03/045575	6/2003
WO	2004/052552	6/2004
WO	2005/018815	3/2005
WO	2008/156357	12/2008
WO	2014/182722	11/2014

OTHER PUBLICATIONS

Hegdahl et al., U.S. Appl. No. 62/279,619, "Wide-Mouthed Fluid Connector for Hand-Held Spray Guns," filed Jan. 15, 2016.
Ebertowski et al., U.S. Appl. No. 62/279,537, "Button-Lock Fluid Connector for Hand-Held Spray Guns," , filed Jan. 15, 2016.

* cited by examiner

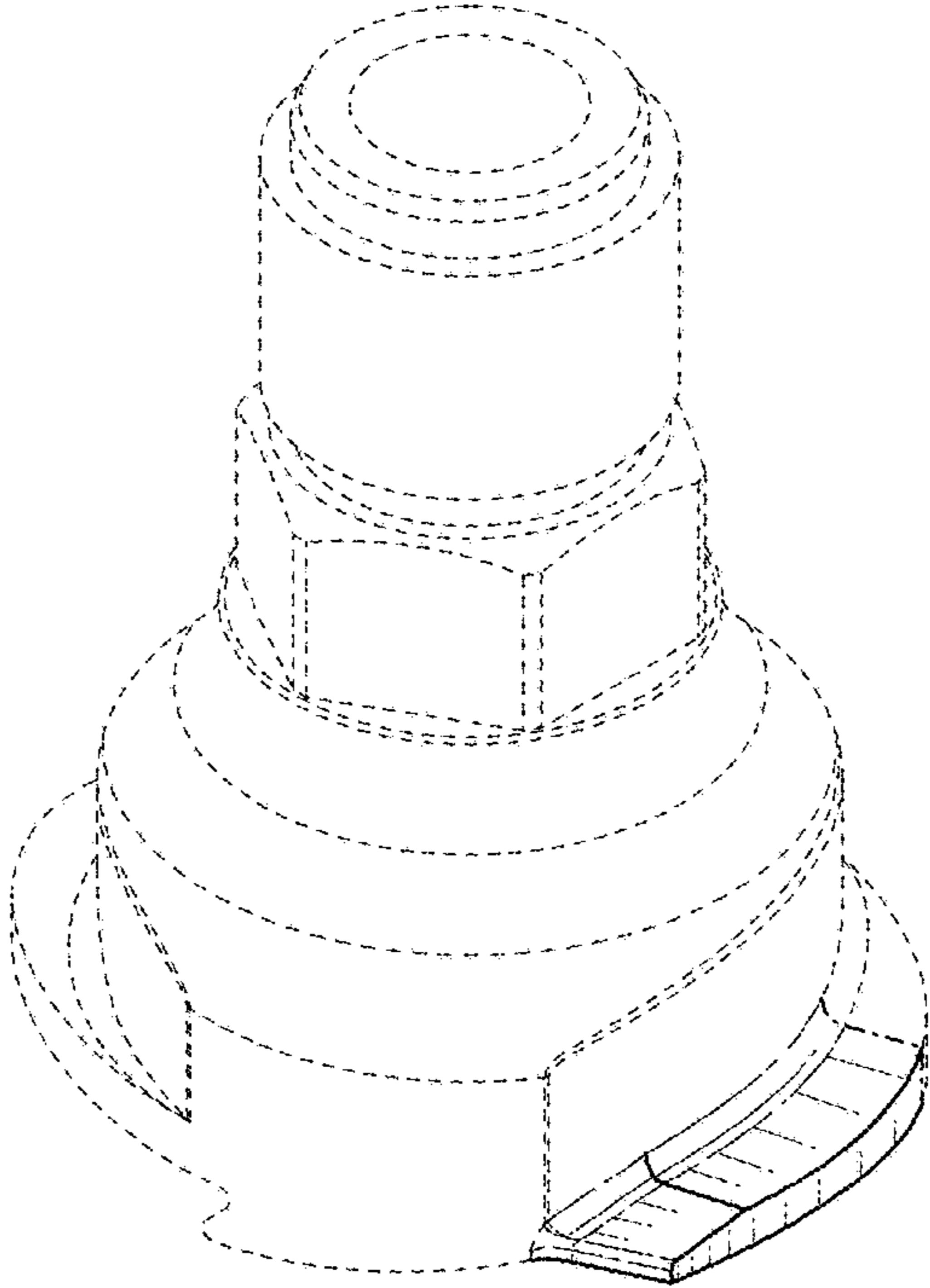


Fig. 1

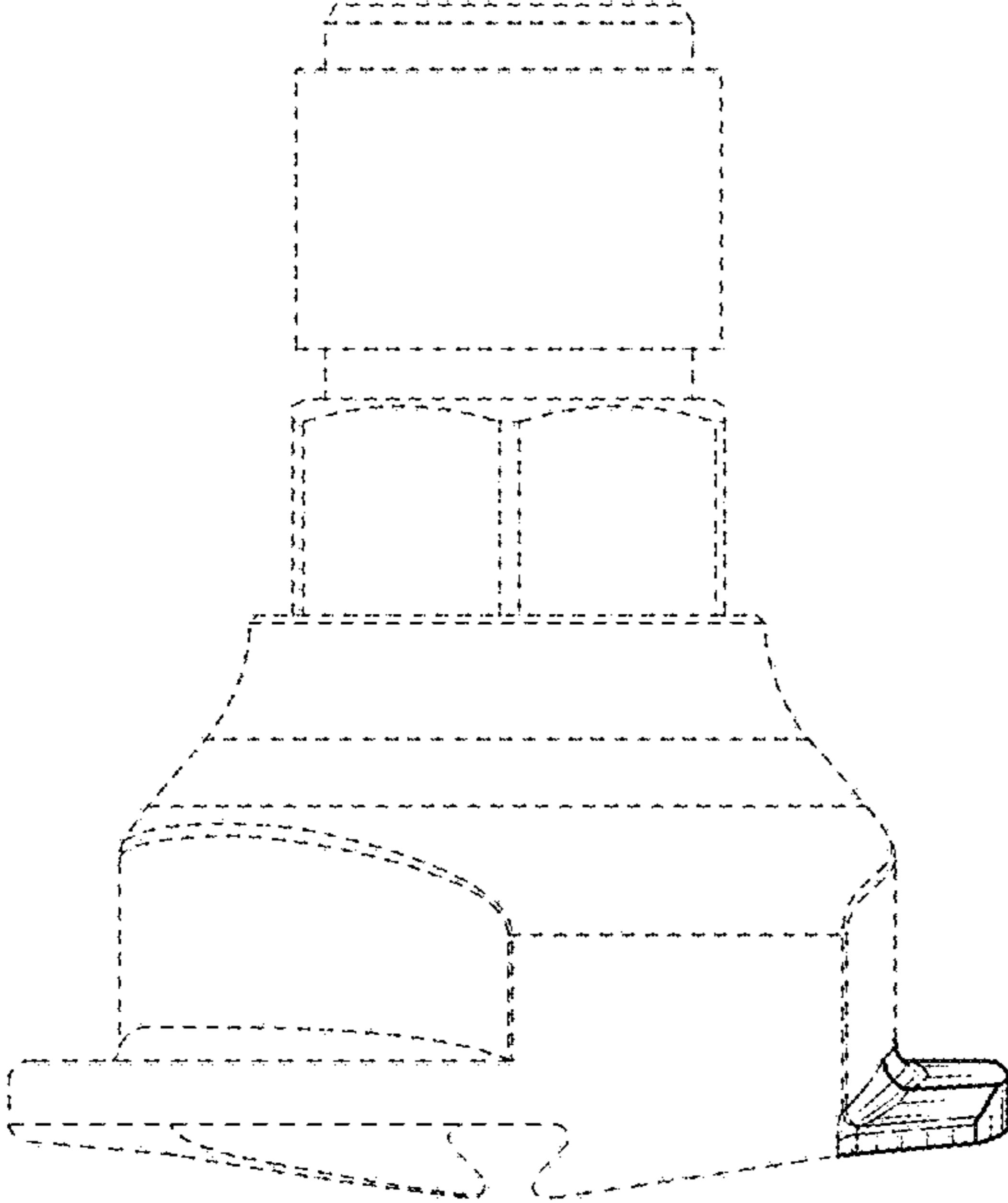


Fig. 2

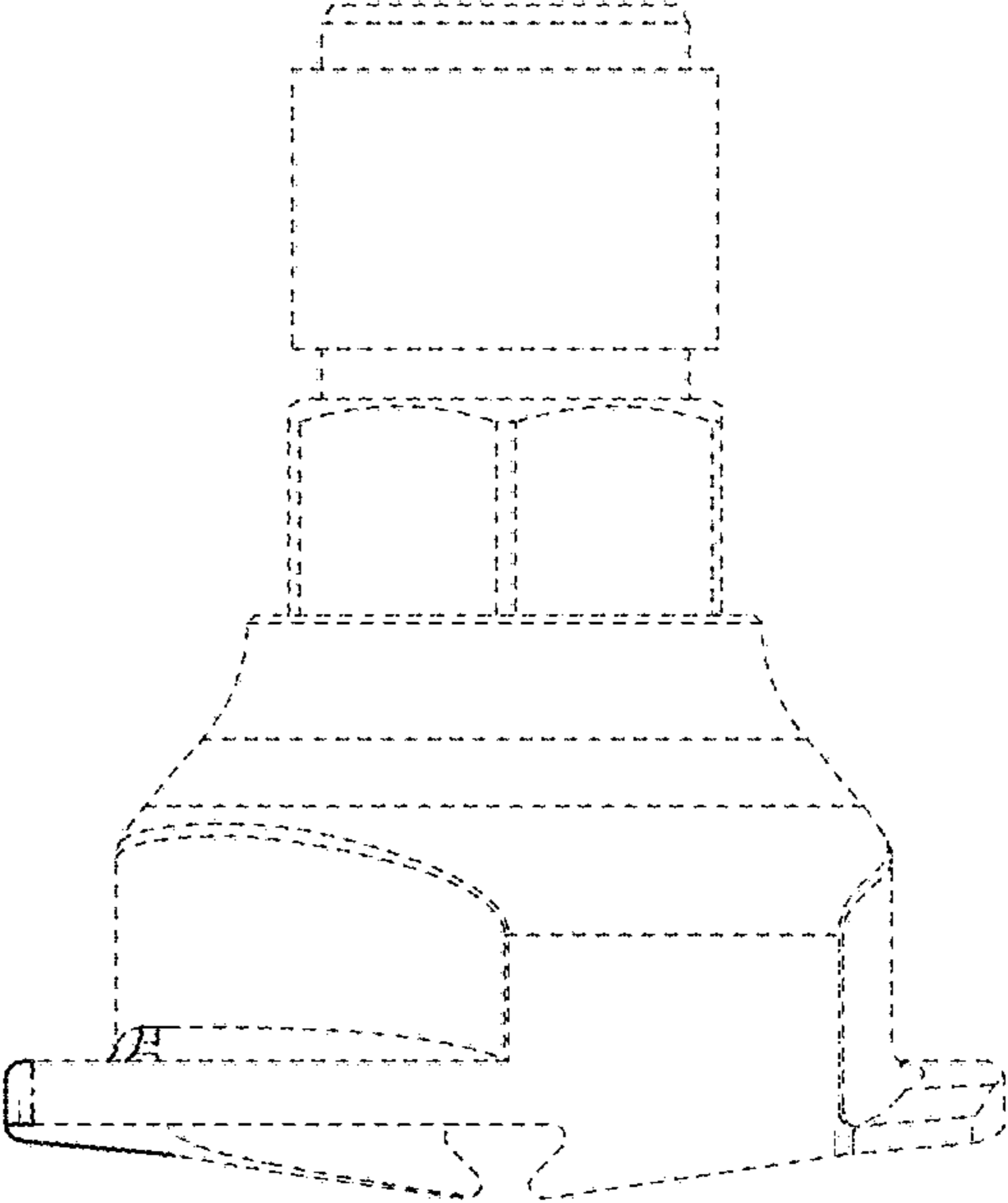


Fig. 3

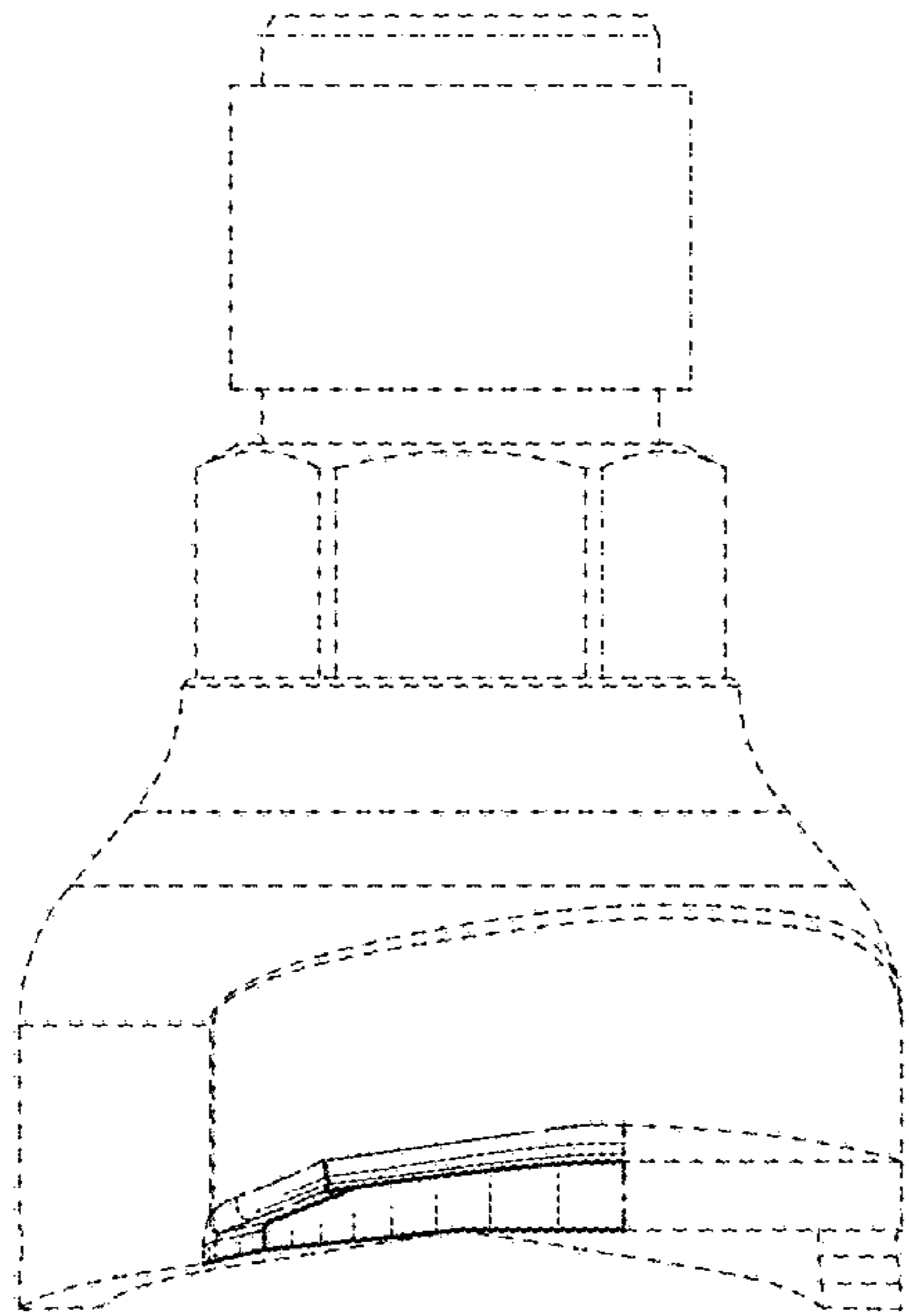


Fig. 4

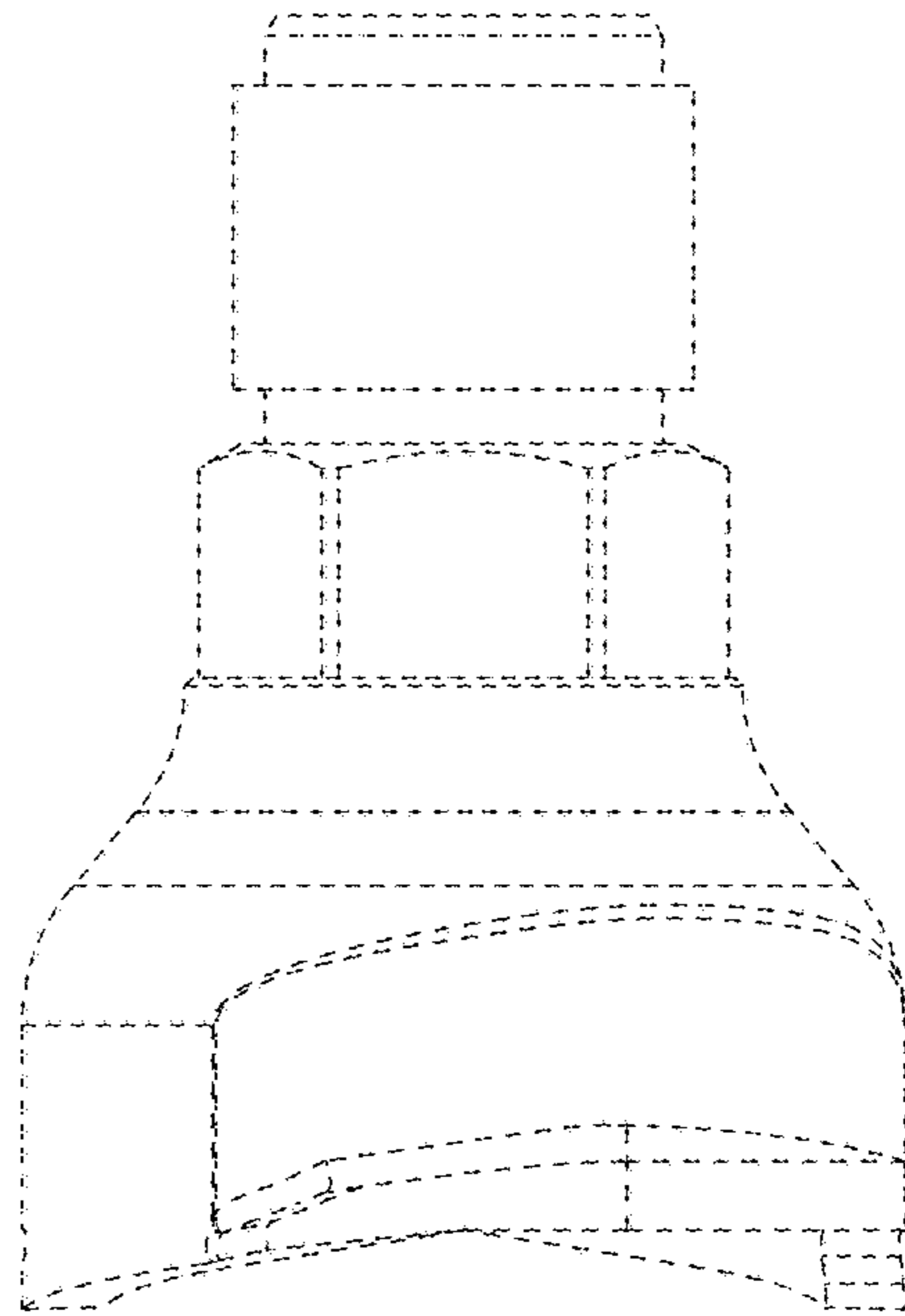


Fig. 5

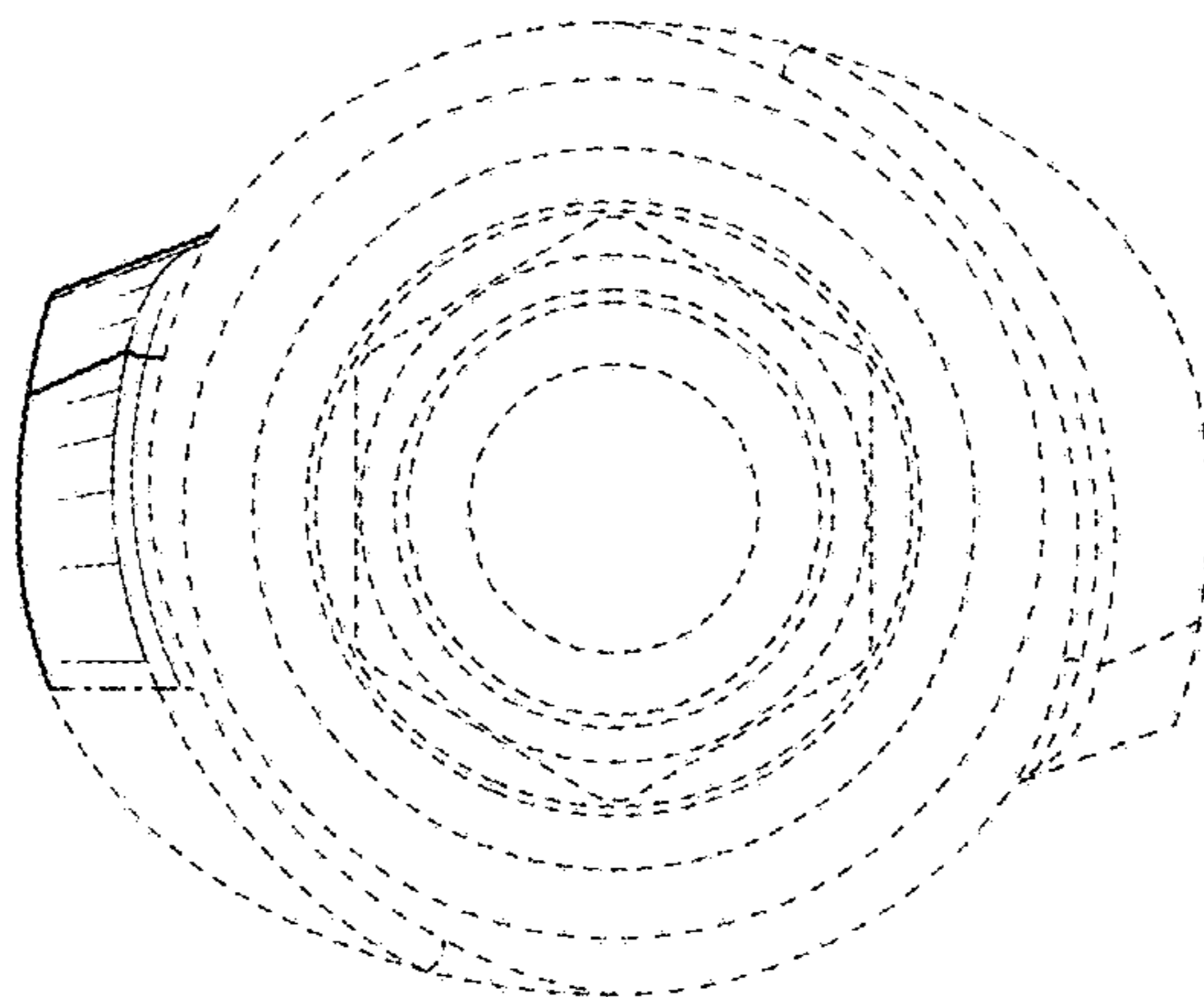


Fig. 6

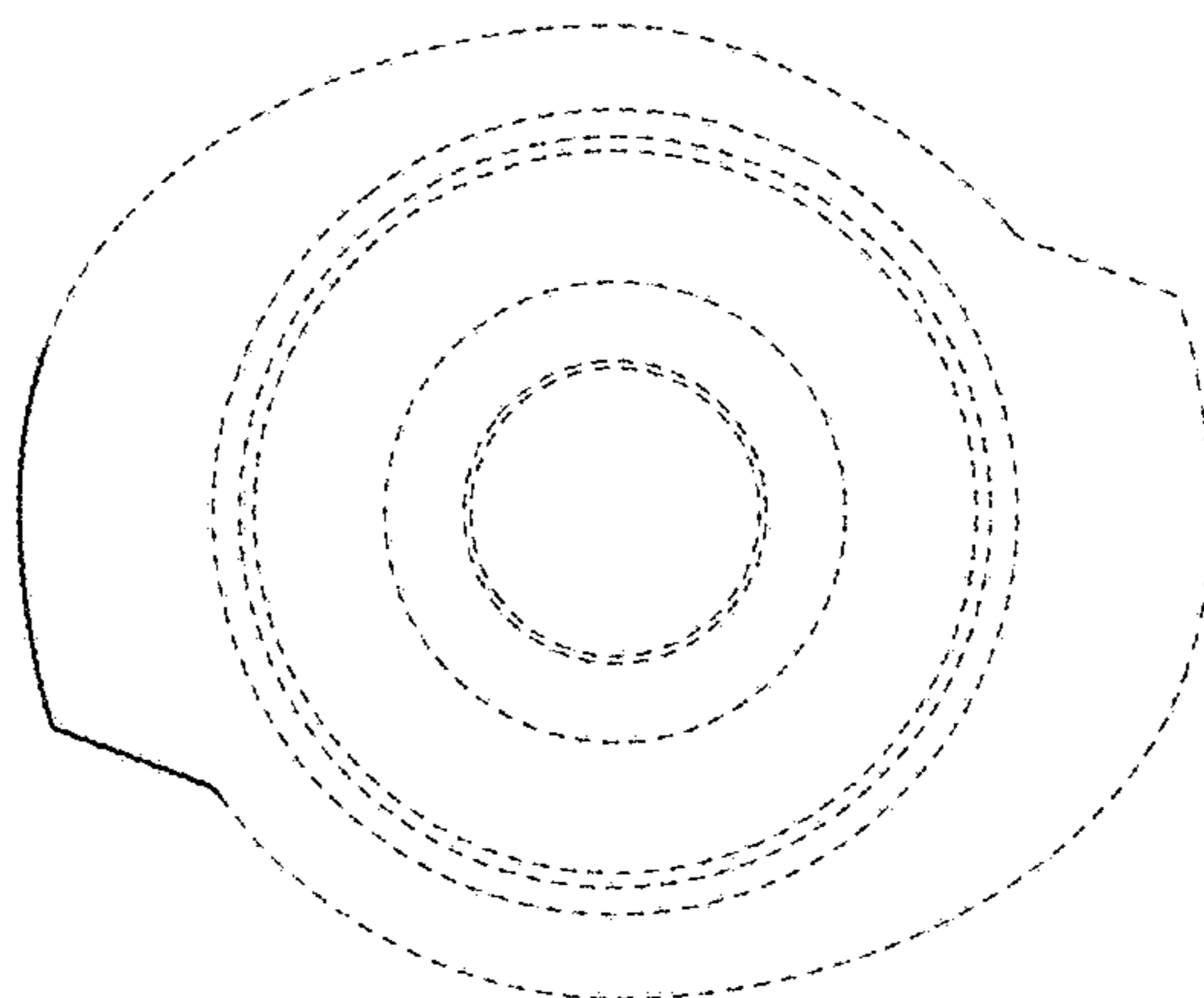


Fig. 7