



US00D804613S

(12) **United States Design Patent** (10) **Patent No.:** **US D804,613 S**
Duncan et al. (45) **Date of Patent:** **** Dec. 5, 2017**

(54) **SPRAY GUN NOZZLE** 7,032,839 B2 * 4/2006 Blette B05B 7/02
239/290
(71) Applicant: **3M INNOVATIVE PROPERTIES** 7,083,119 B2 8/2006 Bouic et al.
COMPANY, St. Paul, MN (US) 7,188,785 B2 3/2007 Joseph et al.
D542,376 S * 5/2007 Blette D23/213
D616,961 S * 6/2010 Goetz D23/213
(72) Inventors: **Brian E. Duncan, St. Paul, MN (US);**
Alexander T. Ebertowski, Burnsville,
MN (US); Scott D. Gullicks,
Woodbury, MN (US); Anna M.
Hegdahl, Brooklyn Park, MN (US);
Stephen C. P. Joseph, Woodbury, MN
(US) 8,196,770 B2 6/2012 Kosmyna et al.
8,444,067 B2 5/2013 Schmon et al.
8,590,809 B2 11/2013 Escoto, Jr. et al.
(Continued)

FOREIGN PATENT DOCUMENTS

CA 2466801 12/2004
DE 8902223.8 5/1989

(Continued)

OTHER PUBLICATIONS

Gunner Cup by DeVilbiss, Service Instruction, 803442/DMK-1500
Conversion Adapter, 1 page, 2011.

(Continued)

Primary Examiner — Robin V Webster

(74) *Attorney, Agent, or Firm* — Aleksander Medved

(57) **CLAIM**

The ornamental design for a spray gun nozzle, as shown and
described.

DESCRIPTION

FIG. 1 is a perspective view of a spray gun nozzle.
FIG. 2 is a front view thereof;
FIG. 3 is a rear view thereof;
FIG. 4 is a left side view thereof;
FIG. 5 is a right side view thereof;
FIG. 6 is a top view thereof; and,
FIG. 7 is a bottom view thereof.
The broken line showing of portions of the nozzle is
included for the purpose of illustrating and forms no part of
the claimed design.

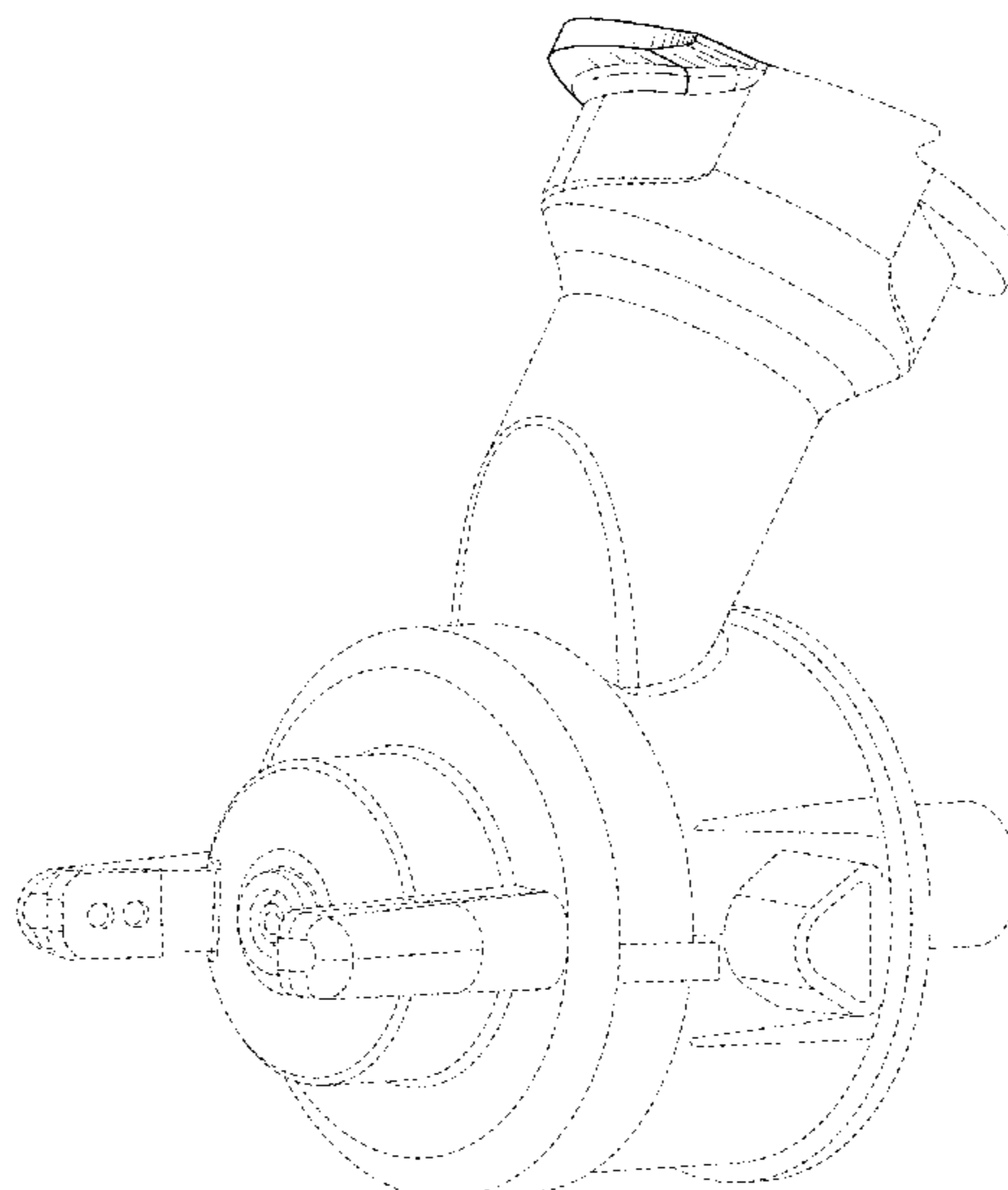
1 Claim, 4 Drawing Sheets

(73) Assignee: **3M INNOVATIVE PROPERTIES**
COMPANY, Saint Paul, MN (US)
(**) Term: **15 Years**
(21) Appl. No.: **29/587,182**
(22) Filed: **Dec. 12, 2016**
(51) **LOC (10) Cl.** **23-01**
(52) **U.S. Cl.**
USPC **D23/213**
(58) **Field of Classification Search**
USPC D23/213, 223, 225, 226; D8/339
CPC B05B 1/005; B05B 7/0815; B05B 5/043;
B05B 5/0531; B05B 5/1691; B05B 9/01;
B05B 7/2408; B29C 47/682
See application file for complete search history.

(56) **References Cited**

U.S. PATENT DOCUMENTS

1,732,691 A * 10/1929 Mueller B05B 7/0815
239/301
3,271,059 A 9/1966 Pearson
5,150,804 A 9/1992 Blanchet et al.
5,240,133 A 8/1993 Thomas, Jr.
6,547,161 B1 * 4/2003 Huang B05B 7/066
239/290
6,662,411 B2 12/2003 Rubenstein et al.



(56)

References Cited

U.S. PATENT DOCUMENTS

2005/0092770	A1	5/2005	Yechouron
2006/0251473	A1	11/2006	Tyski
2012/0000992	A1	1/2012	Shih
2013/0186981	A1	7/2013	Burns
2013/0221130	A1	8/2013	Joseph et al.
2014/0178126	A1	6/2014	Burns

FOREIGN PATENT DOCUMENTS

DE	102009034715	1/2011
WO	98/32539	7/1998
WO	03/045575	6/2003
WO	2004/052552	6/2004
WO	2005/018815	3/2005
WO	2008/156357	12/2008
WO	2014/182722	11/2014

OTHER PUBLICATIONS

Hegdahl et al., U.S. Appl. No. 62/279,619, "Wide-Mouthed Fluid Connector for Hand-Held Spray Guns," filed Jan. 15, 2016.
Ebertowski et al., U.S. Appl. No. 62/279,537, "Button-Lock Fluid Connector for Hand-Held Spray Guns," filed Jan. 15, 2016.

* cited by examiner

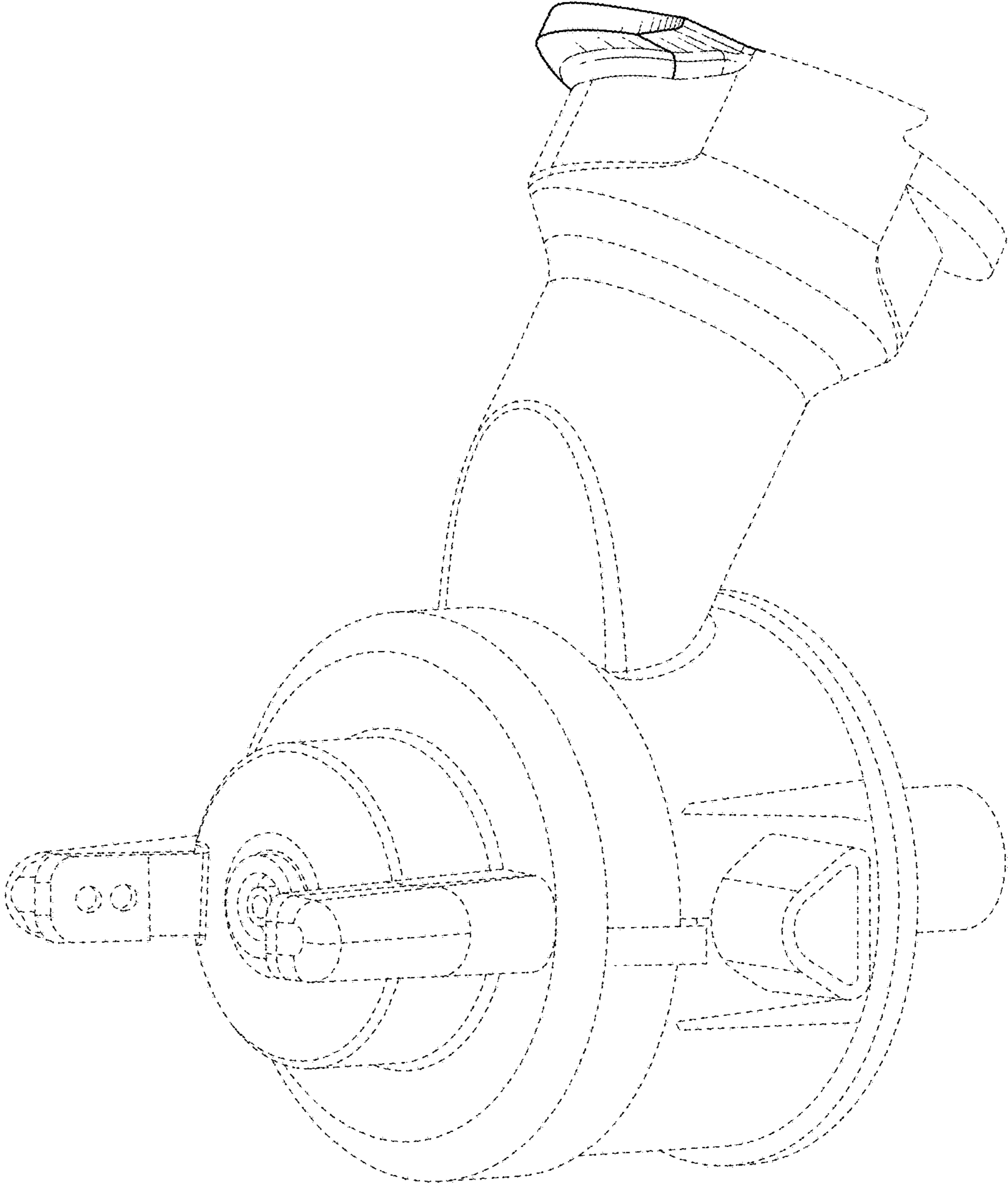


FIG. 1

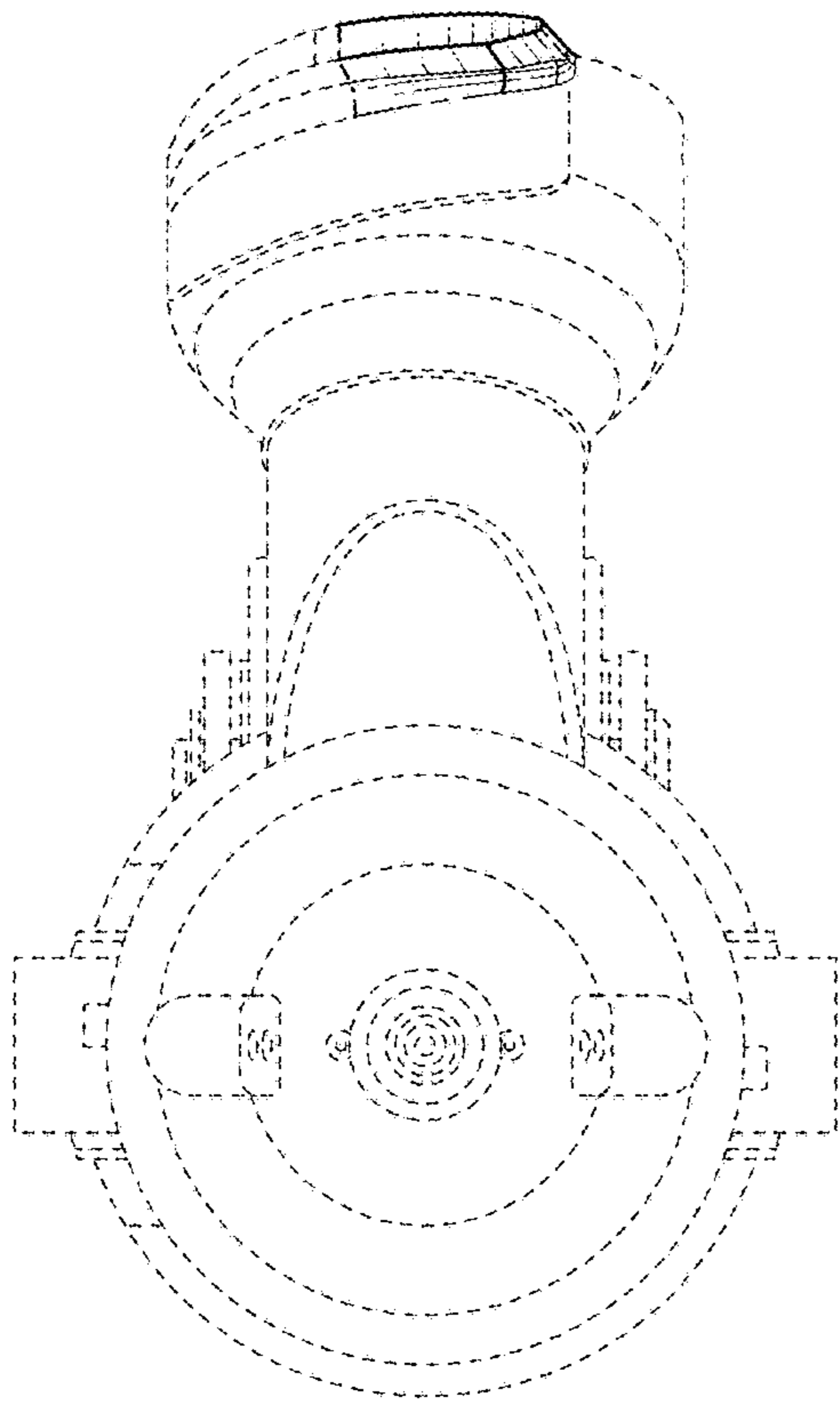


FIG. 2

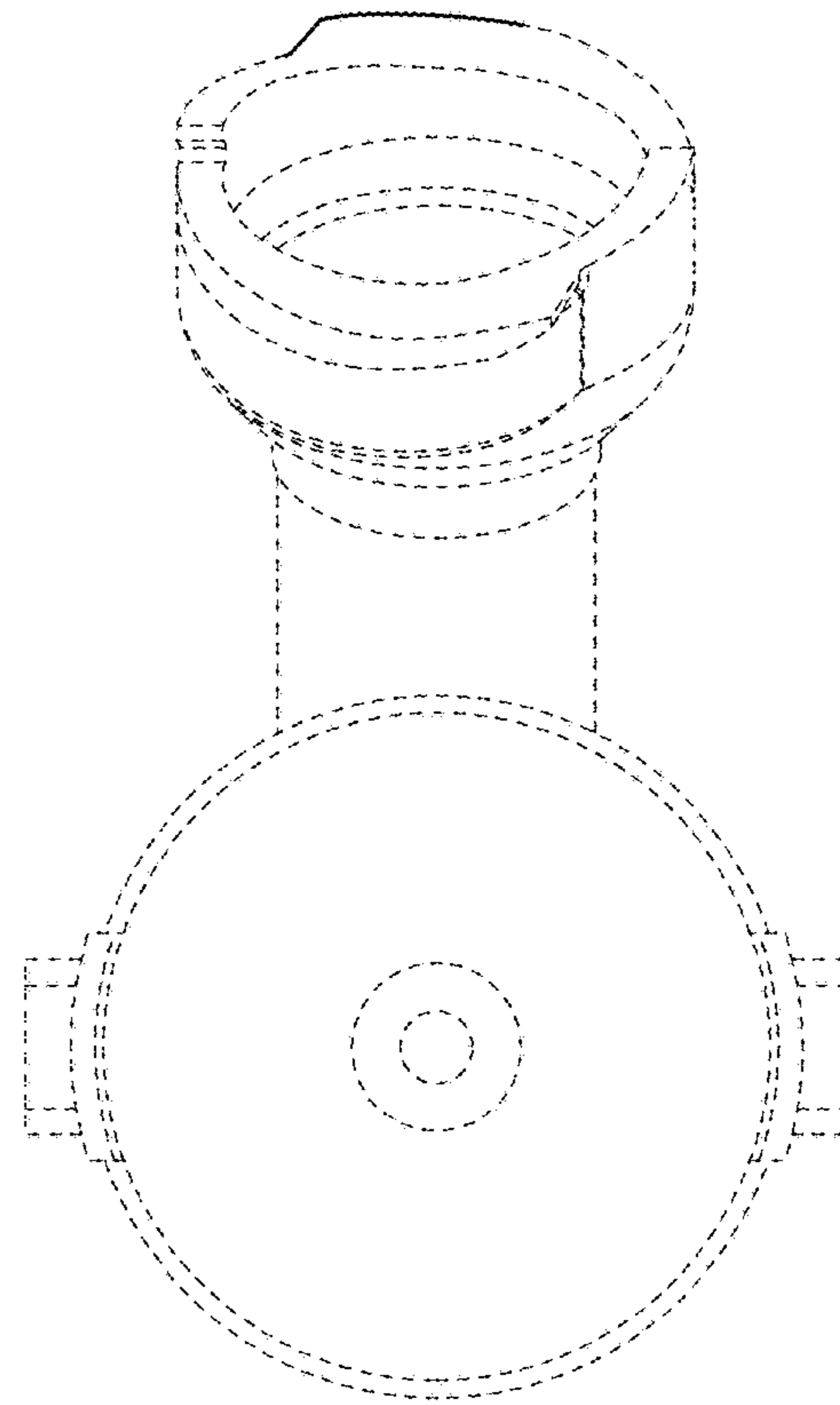


FIG. 3

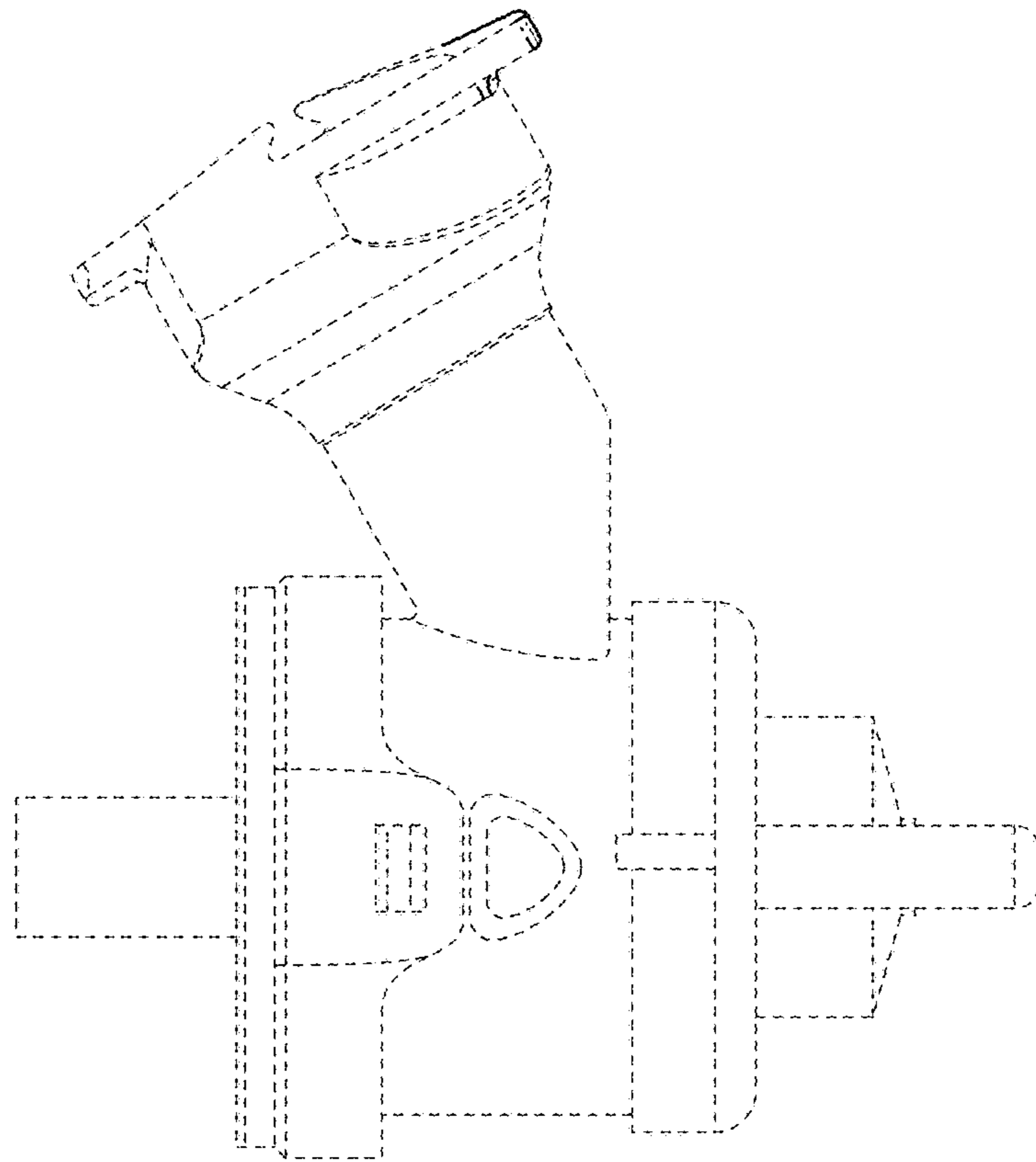


FIG. 4

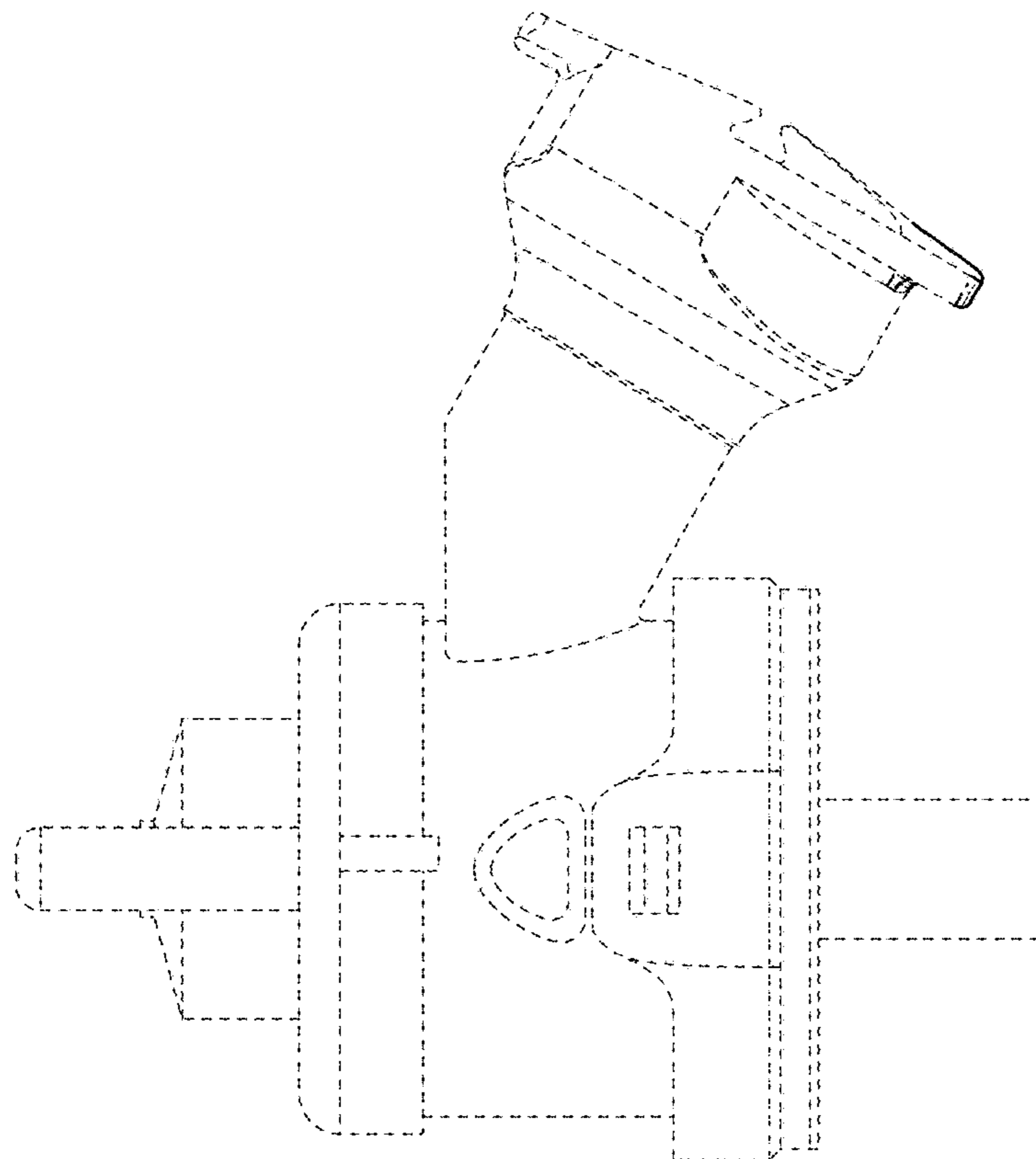


FIG. 5

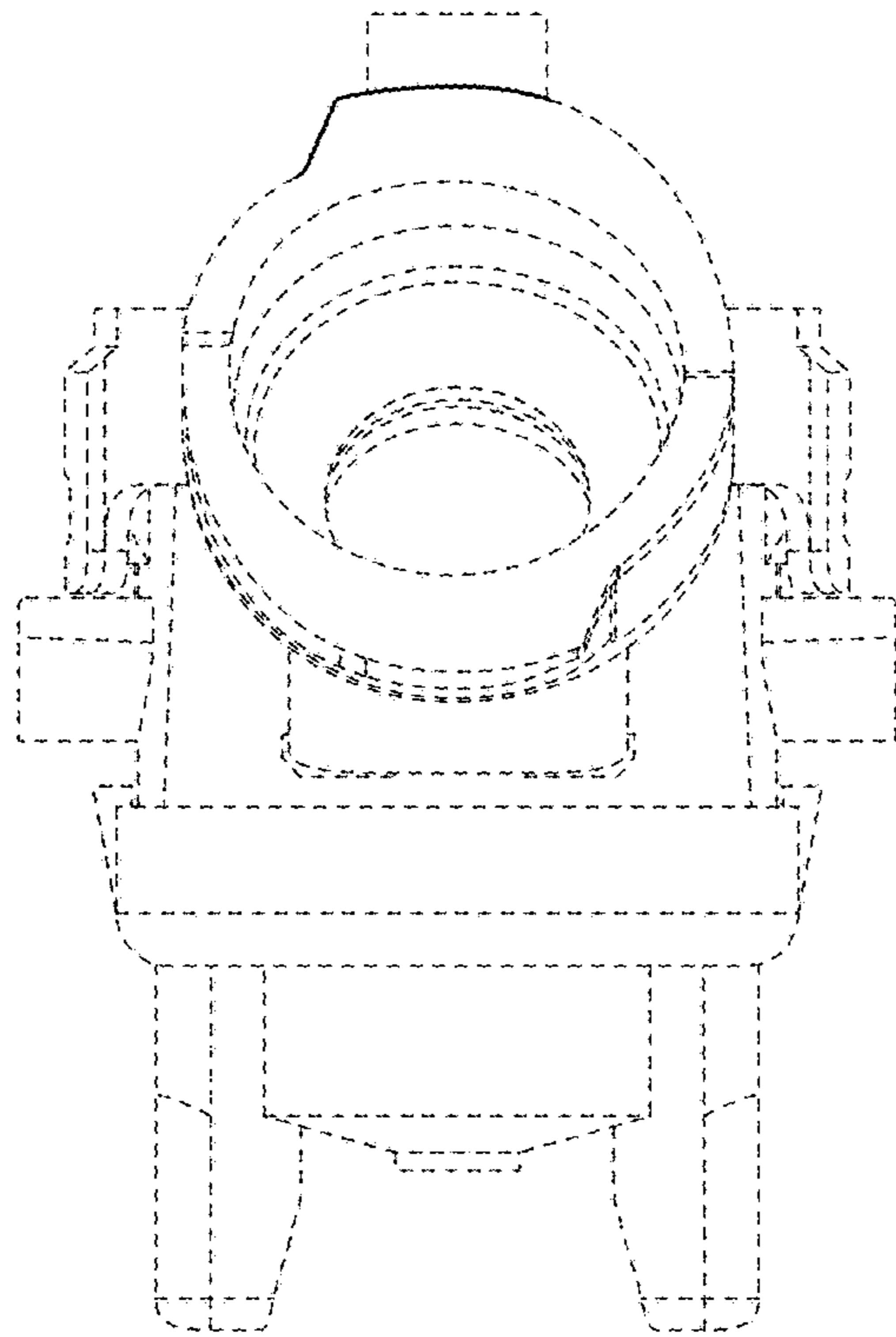


FIG. 6

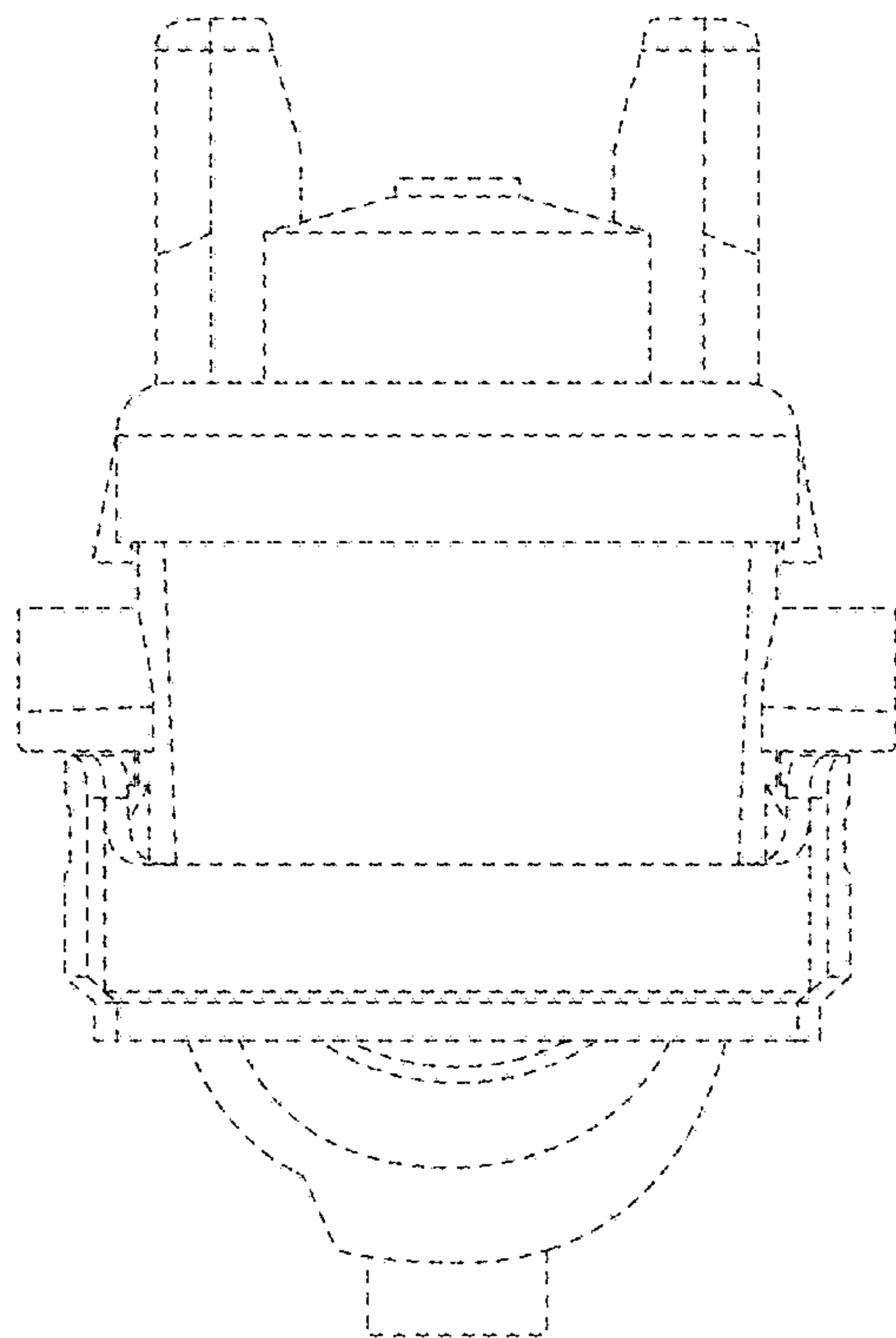


FIG. 7