

US00D804612S

(12) **United States Design Patent** (10) **Patent No.:** **US D804,612 S**
Wojan (45) **Date of Patent:** **** Dec. 5, 2017**

- (54) **HOSE NOZZLE** 6,592,057 B1 * 7/2003 Ericksen B05B 1/3073
239/525
- (71) Applicant: **PROFESSIONAL TOOL** D479,573 S 9/2003 Chen
PRODUCTS, LLC, Travelers Rest, SC D482,428 S 11/2003 Fulwider
(US) 6,758,413 B1 * 7/2004 Chen B05B 1/12
239/390
- (72) Inventor: **Richard Glenn Wojan**, Travelers Rest, D501,913 S 2/2005 Chen
SC (US) 6,877,676 B2 * 4/2005 Saner A62C 31/03
239/291
- (73) Assignee: **PROFESSIONAL TOOL** 7,137,575 B2 * 11/2006 Yoneda A62C 31/03
PRODUCTS, LLC, Travelers Rest, SC D23/213
(US) D540,425 S * 4/2007 Endo D23/213
7,240,858 B2 7/2007 Wang
D658,268 S 4/2012 Bonzer
D674,877 S * 1/2013 Jones D23/213
- (**) Term: **15 Years** (Continued)

- (21) Appl. No.: **29/572,066**
- (22) Filed: **Jul. 25, 2016**
- (51) **LOC (10) Cl.** **23-01**
- (52) **U.S. Cl.**
USPC **D23/213**
- (58) **Field of Classification Search**
USPC D23/213, 223, 225, 226; 239/304,
239/DIG. 14, 146, 147; 222/465.1
CPC B05B 7/26; B05B 7/2443; B05B 9/0861;
B05B 11/00; B05B 7/1413; B05B 9/01;
B05B 9/03; B05B 7/1209; B05B 12/002;
B05B 1/308; A62C 31/02; A62C 31/03
See application file for complete search history.

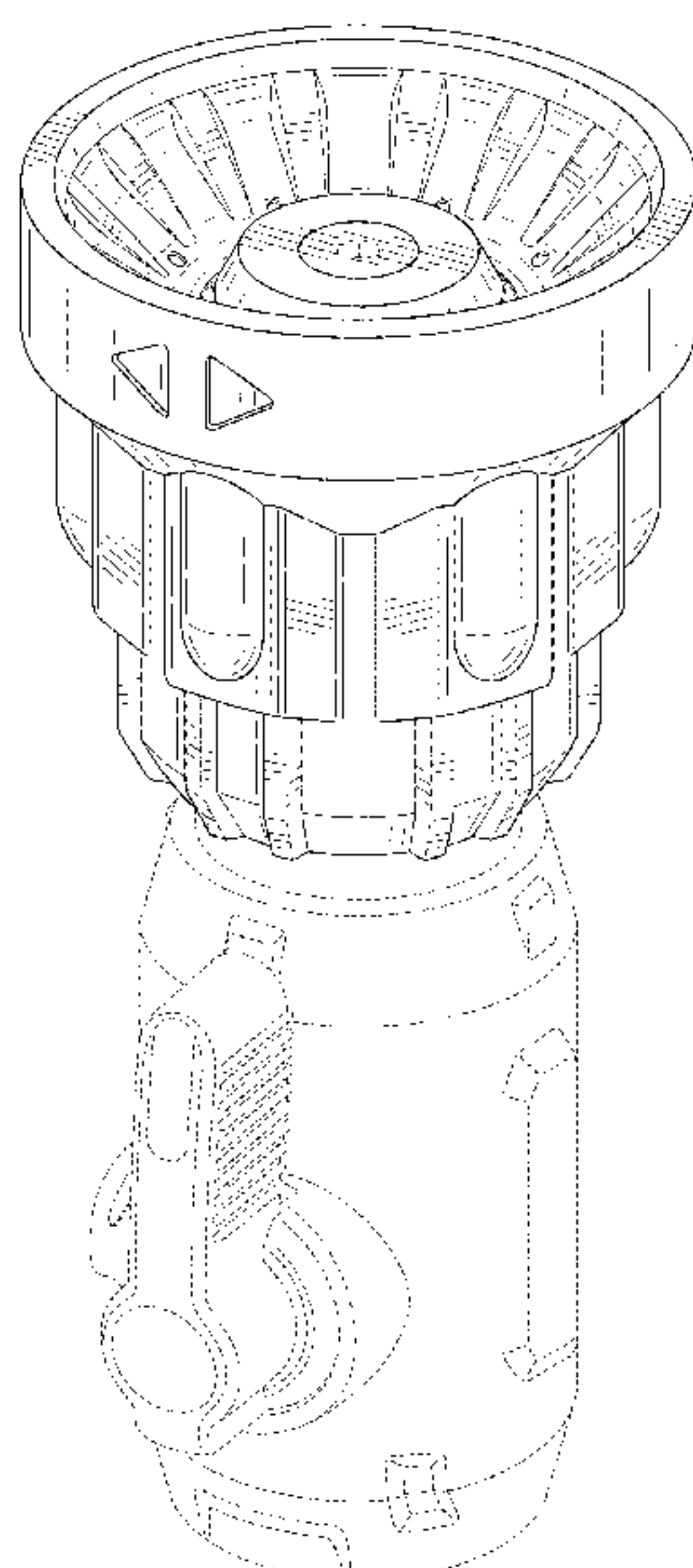
- (56) **References Cited**
U.S. PATENT DOCUMENTS
- 3,093,318 A 6/1963 Chow
- 3,387,791 A 6/1968 Allenbaugh, Jr.
- 4,469,279 A 9/1984 Allenbaugh, Jr.
- D456,488 S 4/2002 Bonzer
- D469,503 S 1/2003 Liang
- D472,300 S 3/2003 Chen
- D473,284 S 4/2003 Pong
- D473,286 S 4/2003 Bonzer

Primary Examiner — Robin V Webster
(74) *Attorney, Agent, or Firm* — J. Bennett Mullinax,
LLC

(57) **CLAIM**
The ornamental design for a hose nozzle, as shown and described.

DESCRIPTION
FIG. 1 is a top perspective view of the embodiment of the hose nozzle according to the present invention; FIG. 2 is a top view of the hose nozzle as shown in FIG. 1; FIG. 3 is a bottom view of the hose nozzle as shown in FIG. 1; FIG. 4 is a left side view of the hose nozzle as shown in FIG. 1; FIG. 5 is a right side view of the hose nozzle as shown in FIG. 1; FIG. 6 is a front view of the hose nozzle as shown in FIG. 1; and, FIG. 7 is a rear view of the hose nozzle as shown in FIG. 1. The broken line showing of portions of the hose nozzle is included for the purpose of illustrating and forms no part of the claimed design.

1 Claim, 7 Drawing Sheets



(56)

References Cited

U.S. PATENT DOCUMENTS

D677,362 S	3/2013	Christopher	
D684,661 S *	6/2013	Ogen	D23/213
D690,798 S	10/2013	Bonzer	
D709,164 S *	7/2014	Abernethy	D23/213
8,794,546 B2	8/2014	Eley et al.	
D736,349 S	8/2015	Wojan	
D746,944 S *	1/2016	Naslund	D23/213
D749,697 S *	2/2016	Wojan	D23/223

* cited by examiner

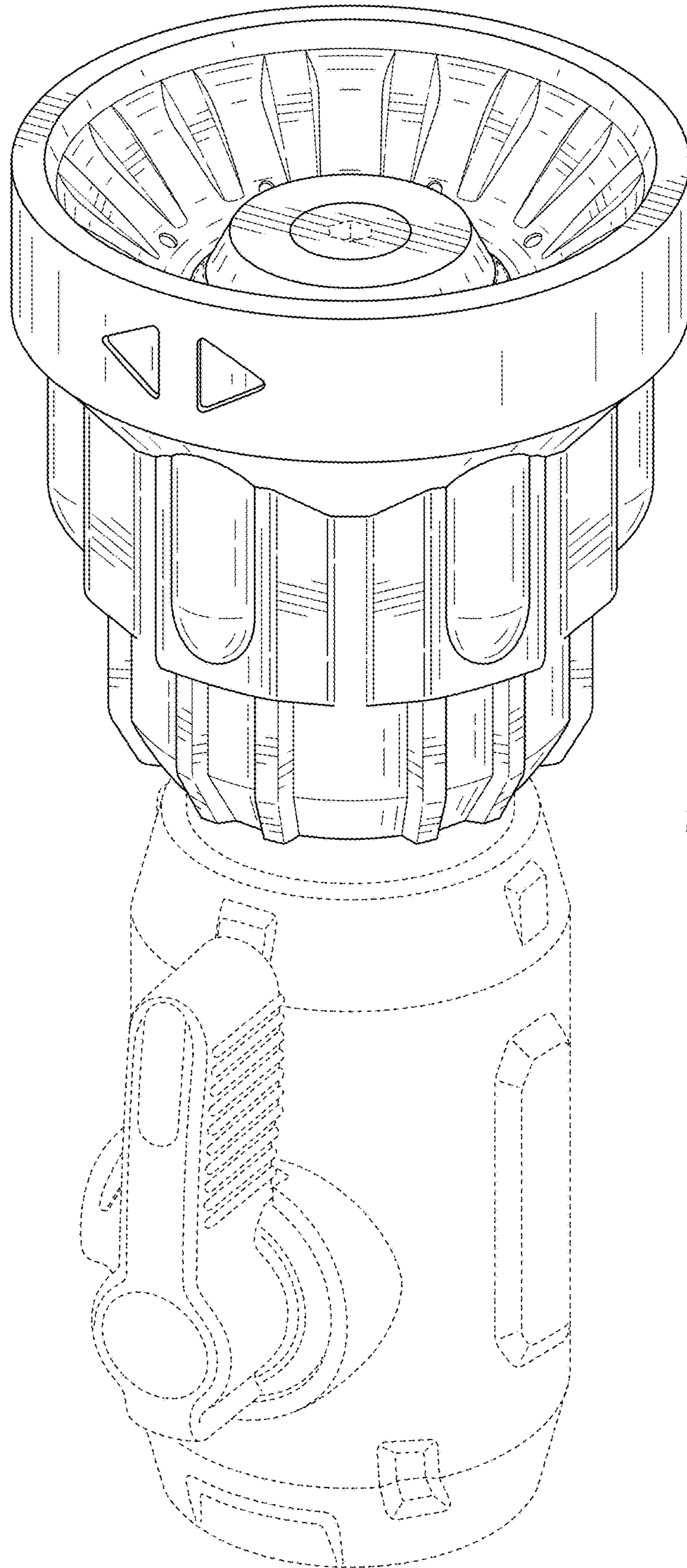


FIG. 1

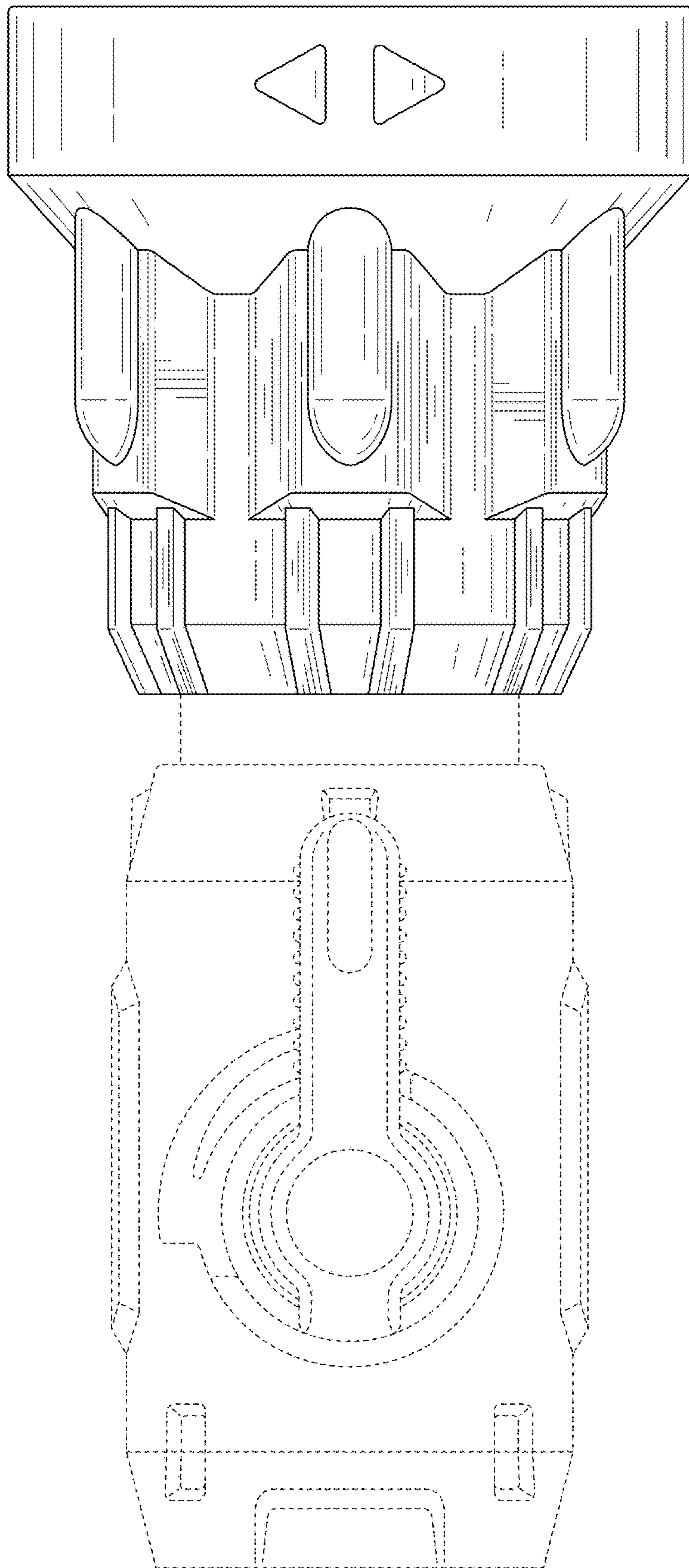


FIG. 2

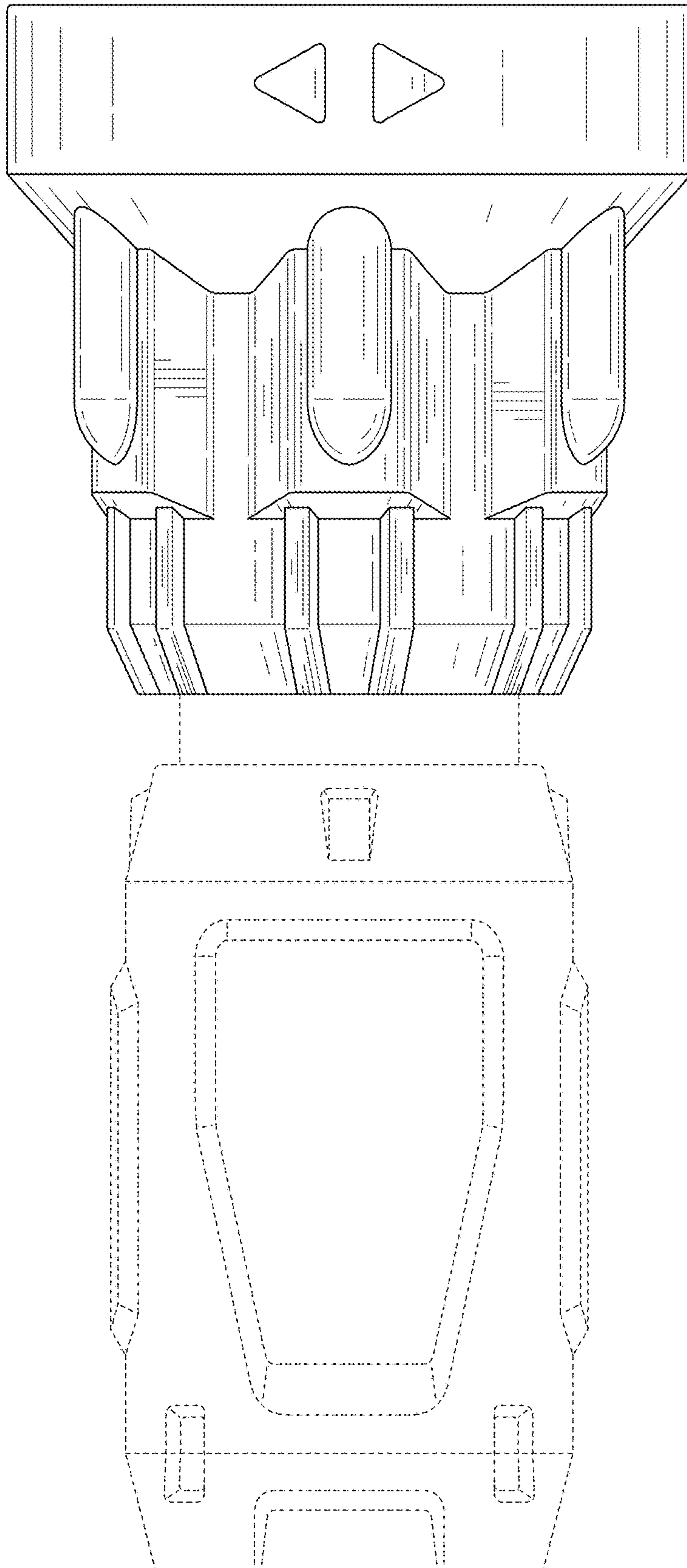


FIG. 3

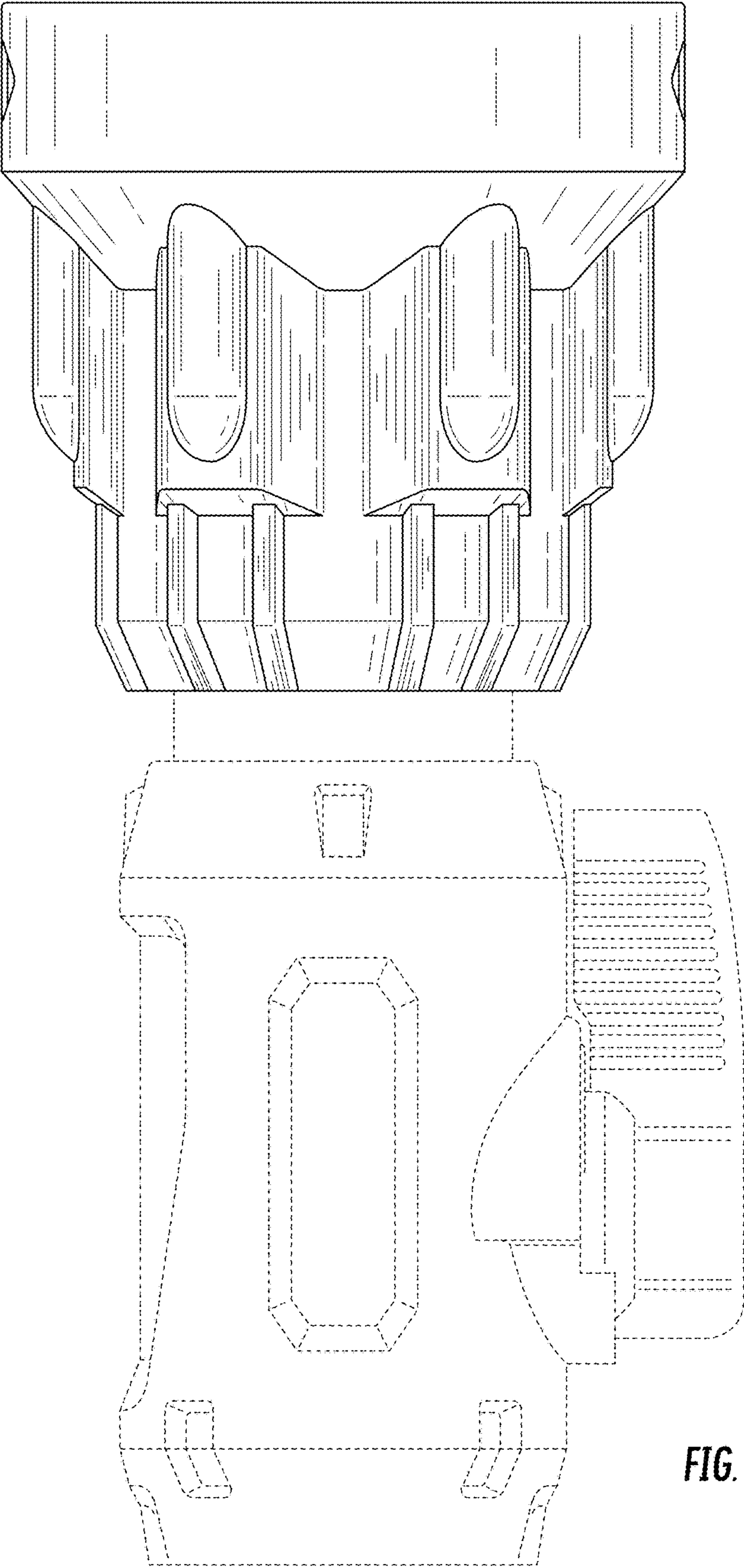


FIG. 4

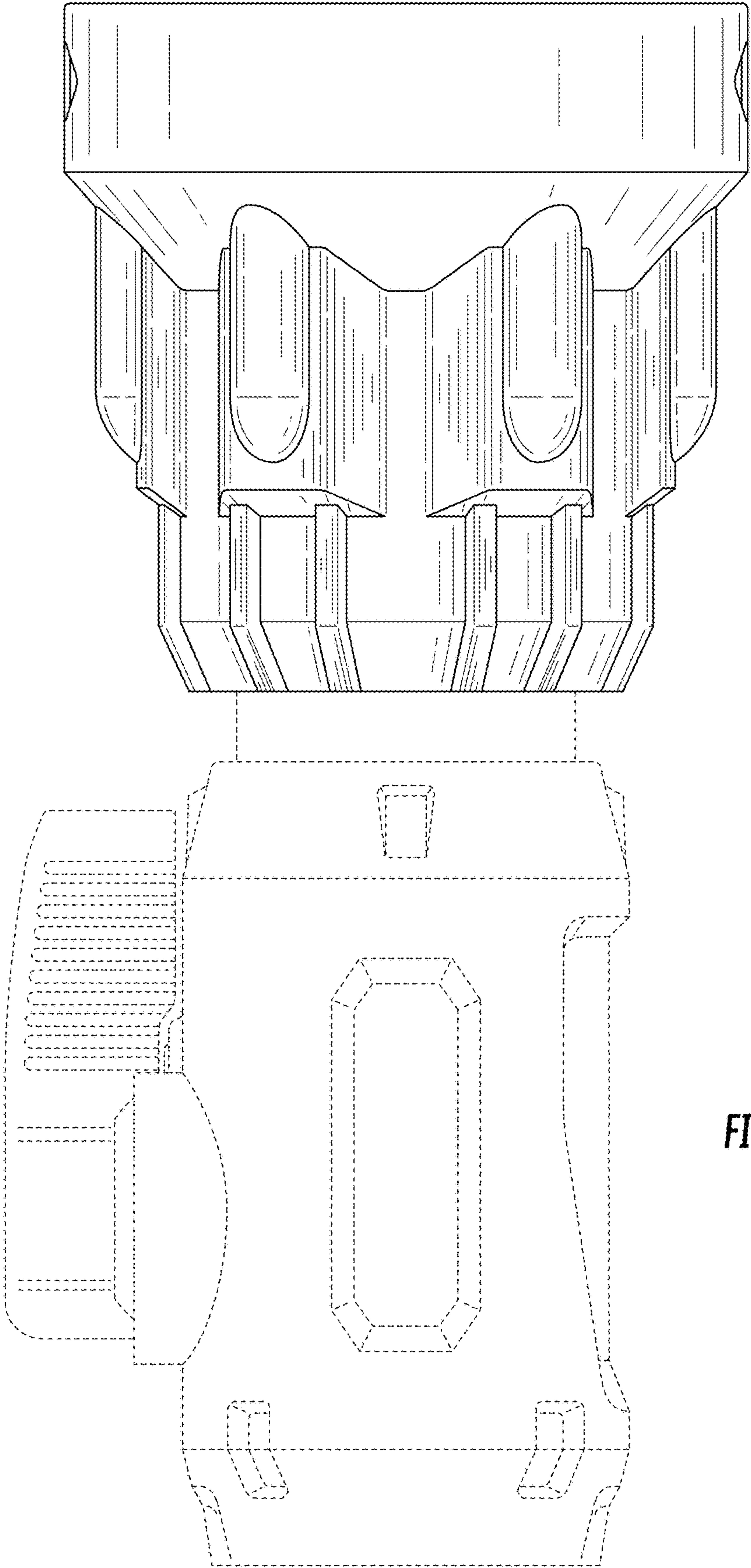


FIG. 5

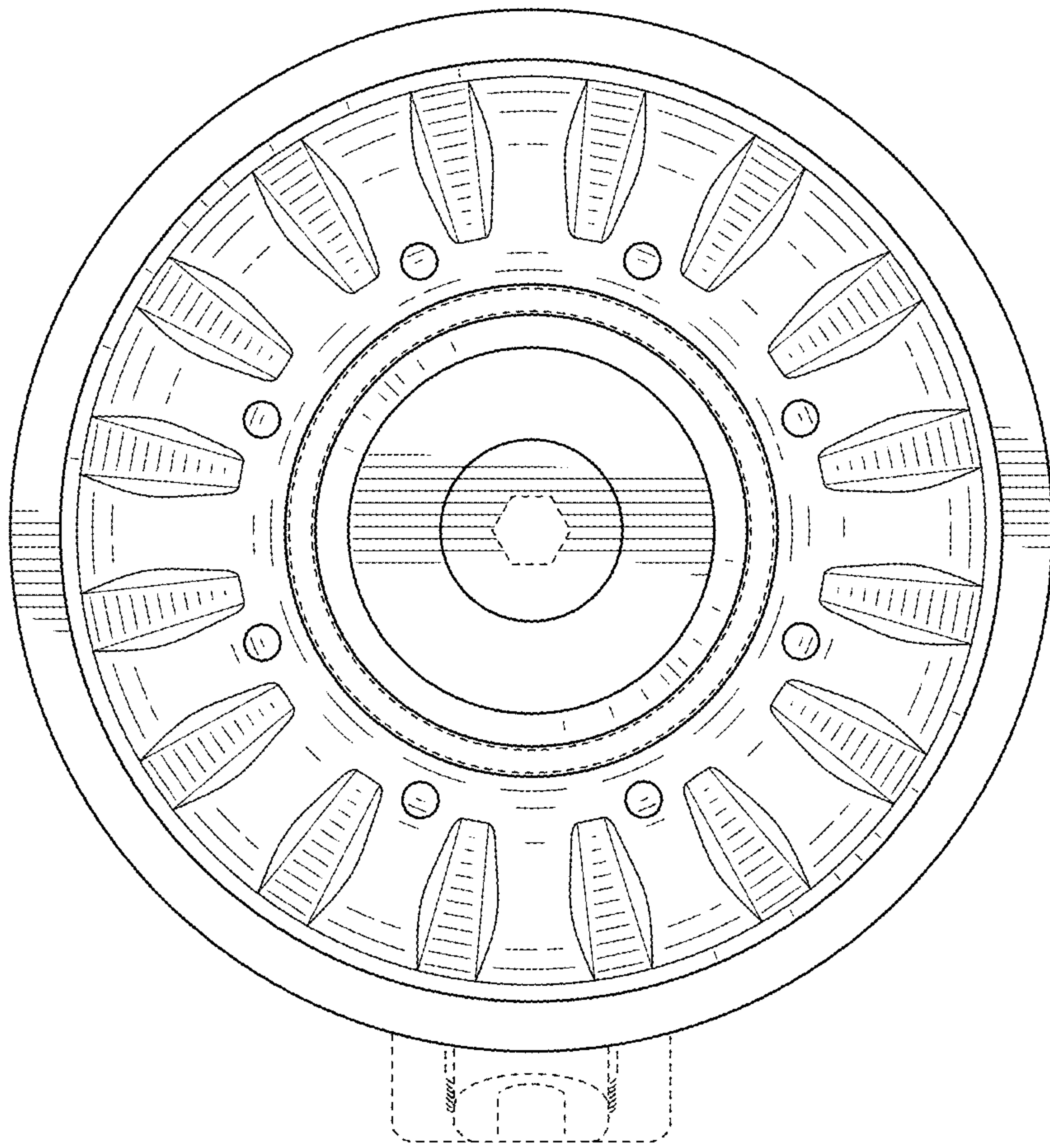


FIG. 6

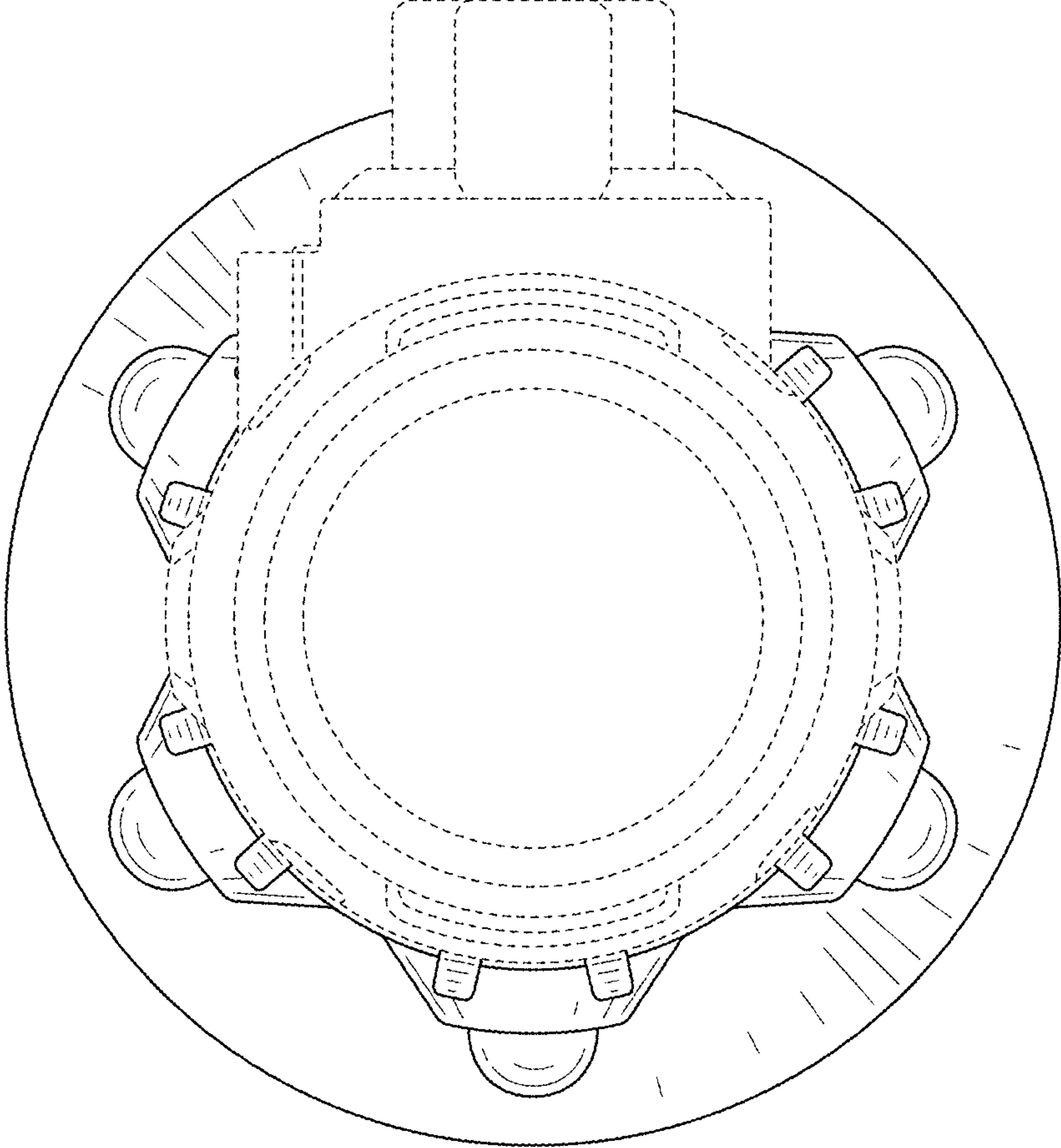


FIG. 7