



US00D804606S

(12) **United States Design Patent** (10) **Patent No.:** **US D804,606 S**
Stanek et al. (45) **Date of Patent:** **** Dec. 5, 2017**

(54) **FISHING ROD HANDLE**
(71) Applicants: **Robert J. Stanek**, Champlin, MN (US);
Joshua R. Stanek, Grand Rapids, MN (US)
(72) Inventors: **Robert J. Stanek**, Champlin, MN (US);
Joshua R. Stanek, Grand Rapids, MN (US)

D273,972 S * 5/1984 Fee D22/138
4,631,853 A 12/1986 Brackett et al.
4,654,996 A 4/1987 Gieselman
D370,047 S * 5/1996 Eberhard D22/138
6,029,389 A 2/2000 Newton et al.
D451,578 S * 12/2001 Champagne D22/142
D470,213 S * 2/2003 Smith D22/138
D499,165 S * 11/2004 Jenson D22/142
D550,324 S * 9/2007 Mullen D22/138

(**) Term: **15 Years**

(21) Appl. No.: **29/584,644**

(22) Filed: **Nov. 16, 2016**

(51) **LOC (10) Cl.** **22-05**

(52) **U.S. Cl.**
USPC **D22/142**

(58) **Field of Classification Search**
USPC D22/137-142; 43/19-23; 242/223-226,
242/233, 229, 241, 311
CPC A01K 87/06; A01K 87/08; A01K 91/02
See application file for complete search history.

(56) **References Cited**

U.S. PATENT DOCUMENTS

2,000,263 A 5/1935 Teetor
2,158,396 A 5/1939 Bimstock
2,236,603 A 4/1941 Nelson
2,283,816 A 5/1942 Loutrel
2,554,787 A 5/1951 McGuire
2,965,995 A * 12/1960 Lasky A01K 91/02
43/19
D246,049 S * 10/1977 Nakamura D22/138
4,334,378 A 6/1982 Worth
D267,580 S * 1/1983 Price D22/138

OTHER PUBLICATIONS

Neptune Ice Rods, LLC, Neptune Ice Rods, <http://www.neptuneicerods.com/shop/>, May 3, 2016, Internet.

* cited by examiner

Primary Examiner — Catherine R Oliver-Garcia
(74) *Attorney, Agent, or Firm* — Schroeder & Siegfried, P.A.

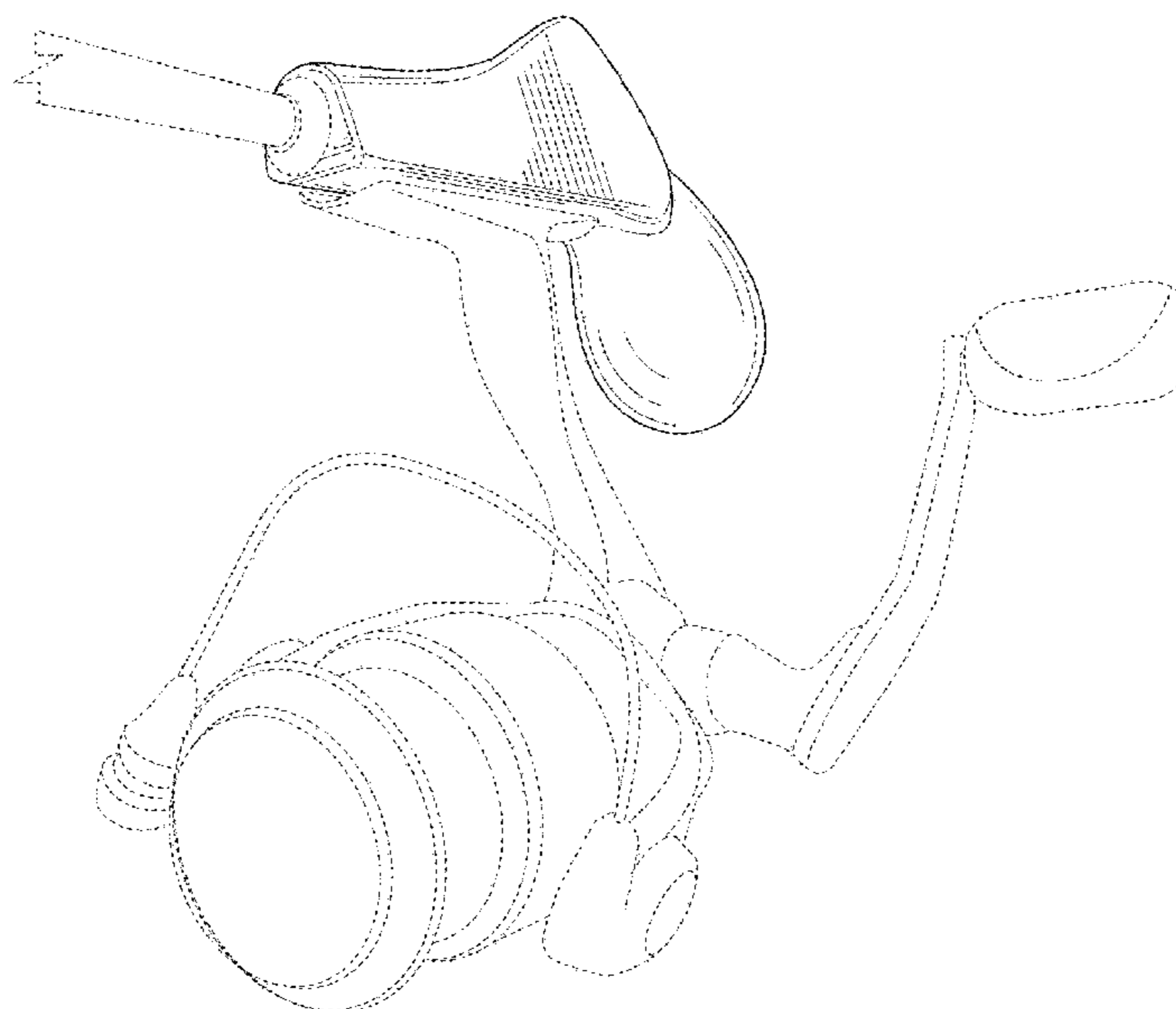
(57) **CLAIM**

The ornamental design for a fishing rod handle, as shown and described.

DESCRIPTION

FIG. 1 is a perspective view of a fishing rod handle showing my new design;
FIG. 2 is a left side elevational view;
FIG. 3 is a right side elevational view;
FIG. 4 is a top plan view;
FIG. 5 is a bottom plan view;
FIG. 6 is a front elevational view; and,
FIG. 7 is a rear elevational view.
The broken lines in the drawings represent environmental structure and form no part of the claimed design.

1 Claim, 7 Drawing Sheets



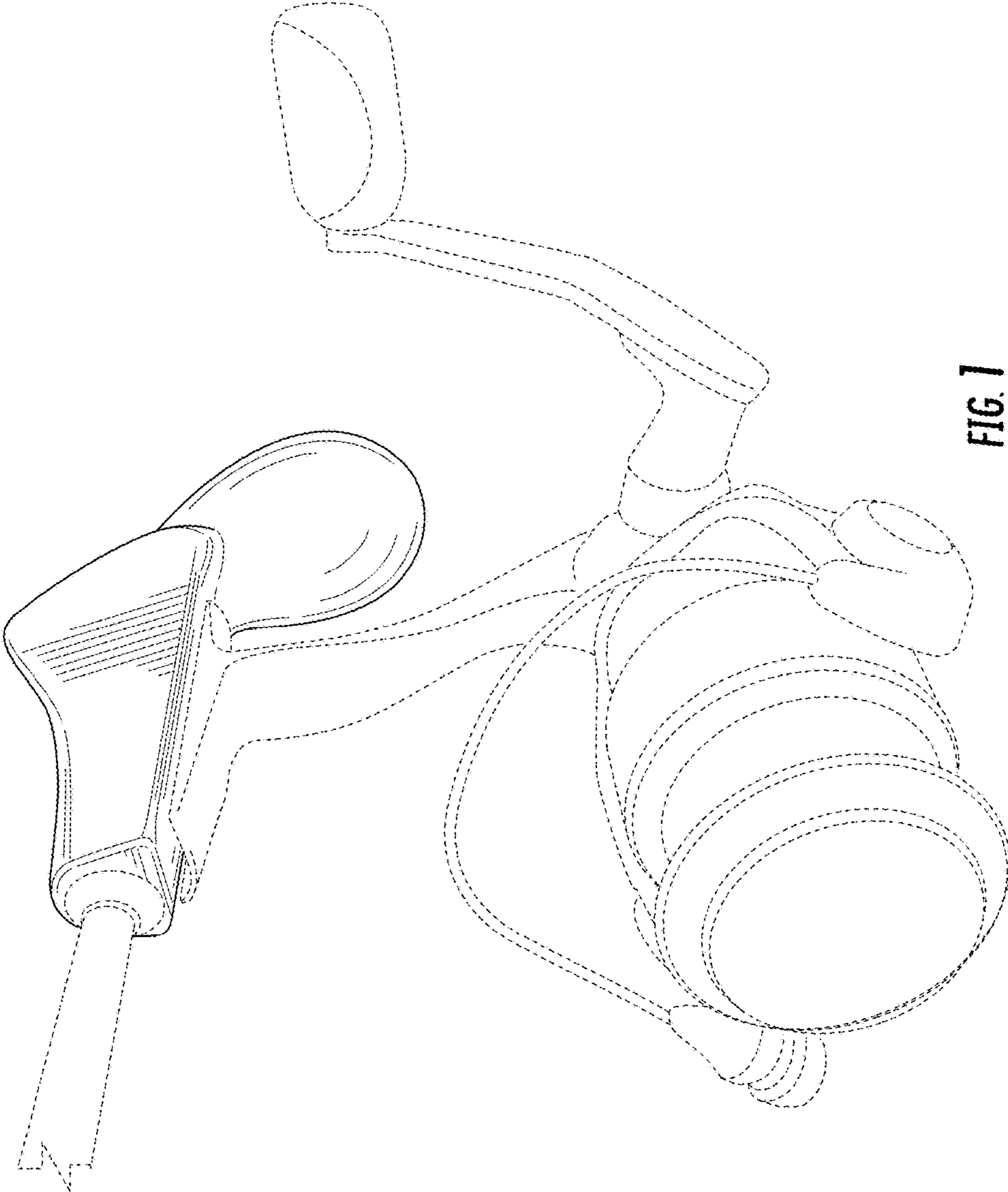


FIG. 1

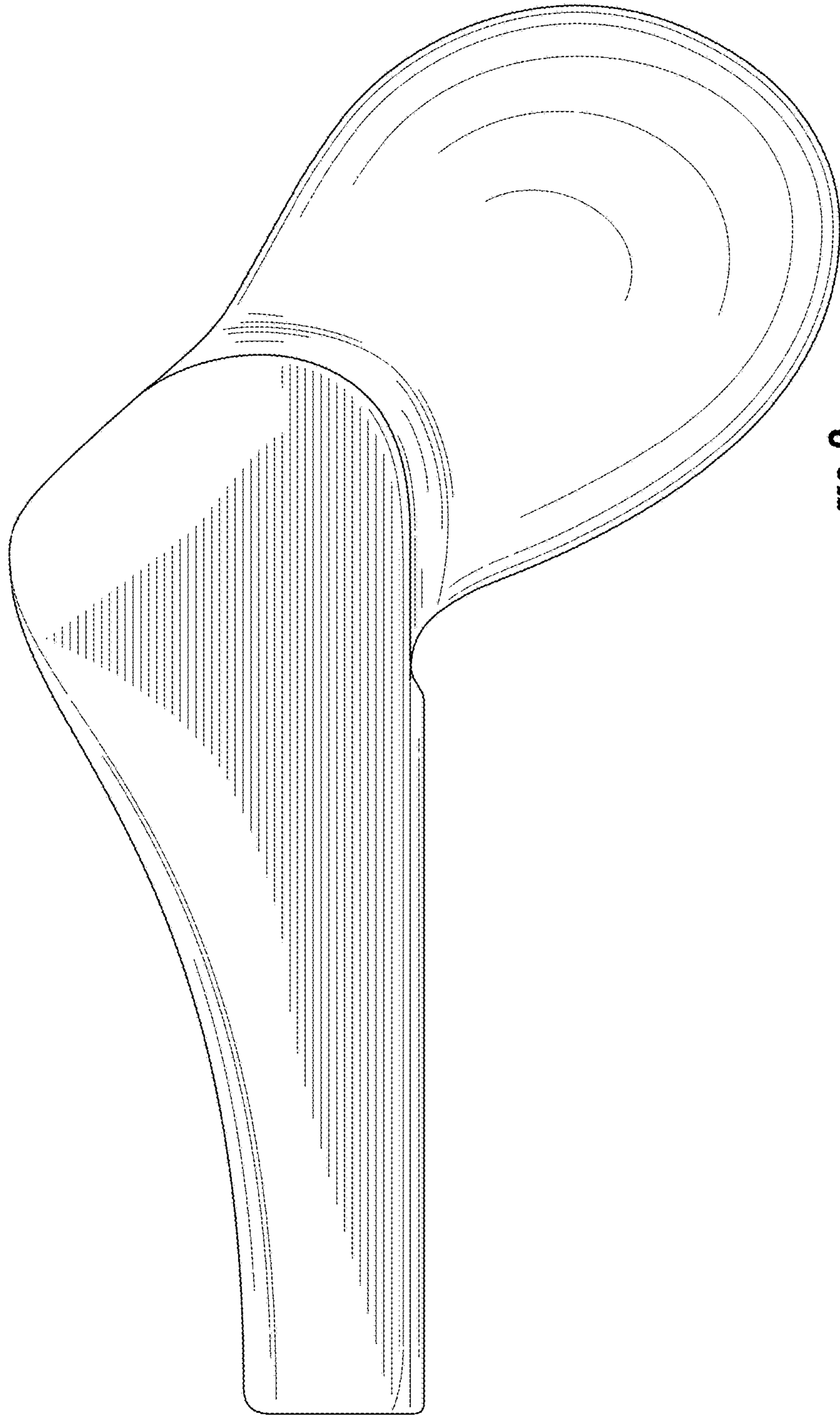


FIG. 2

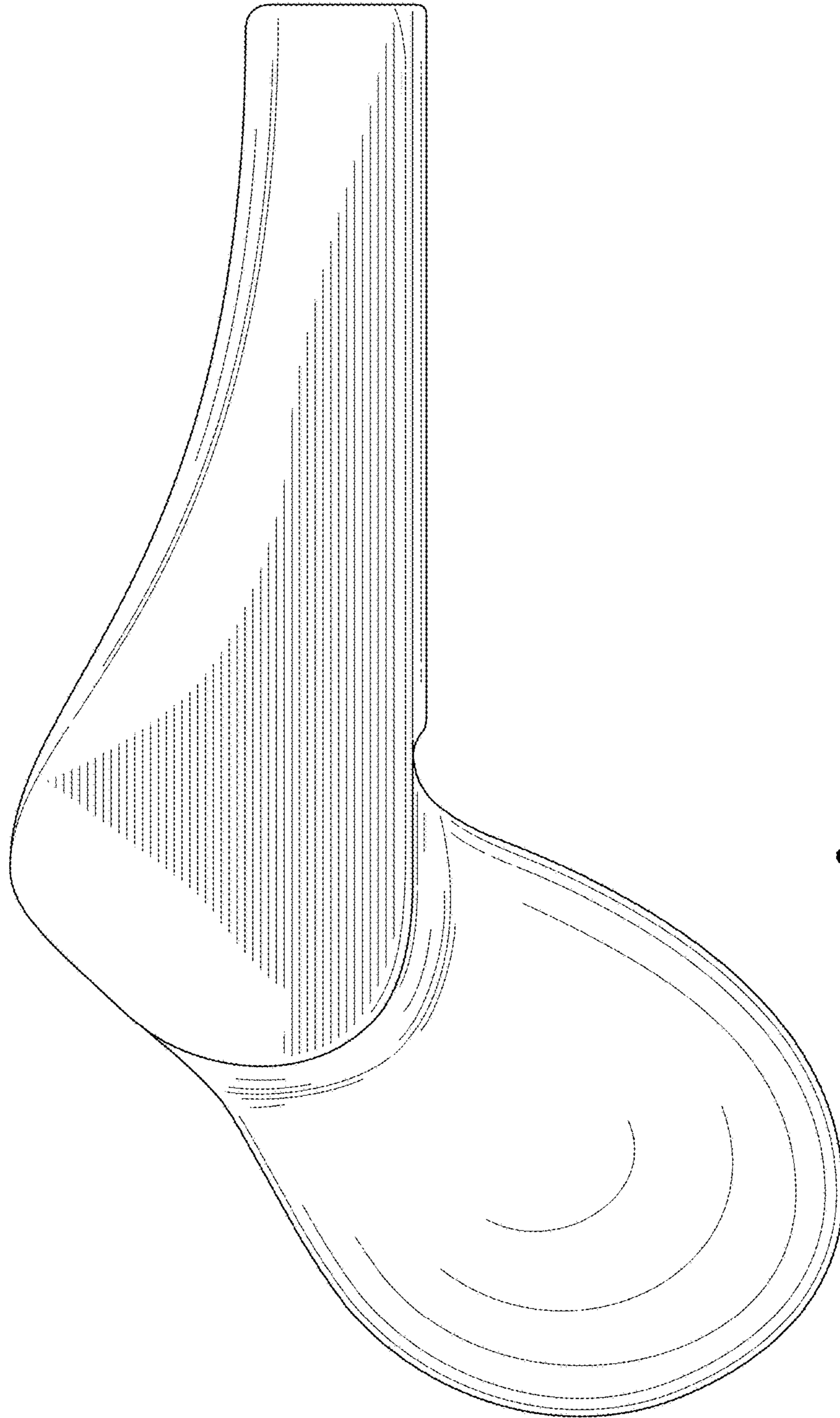


FIG. 3

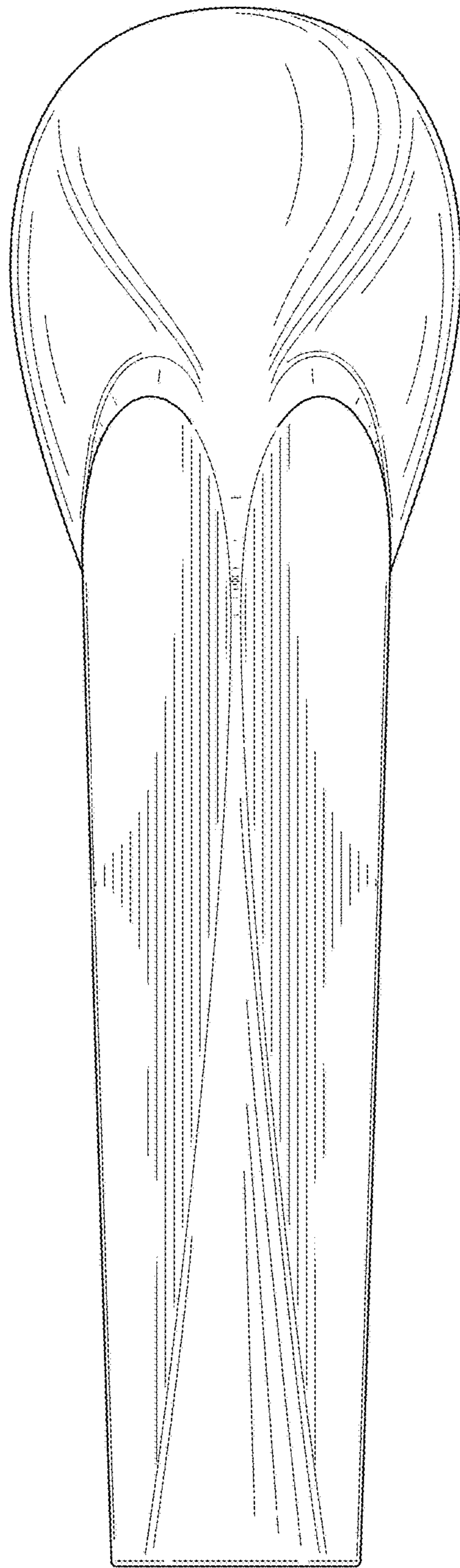


FIG. 4

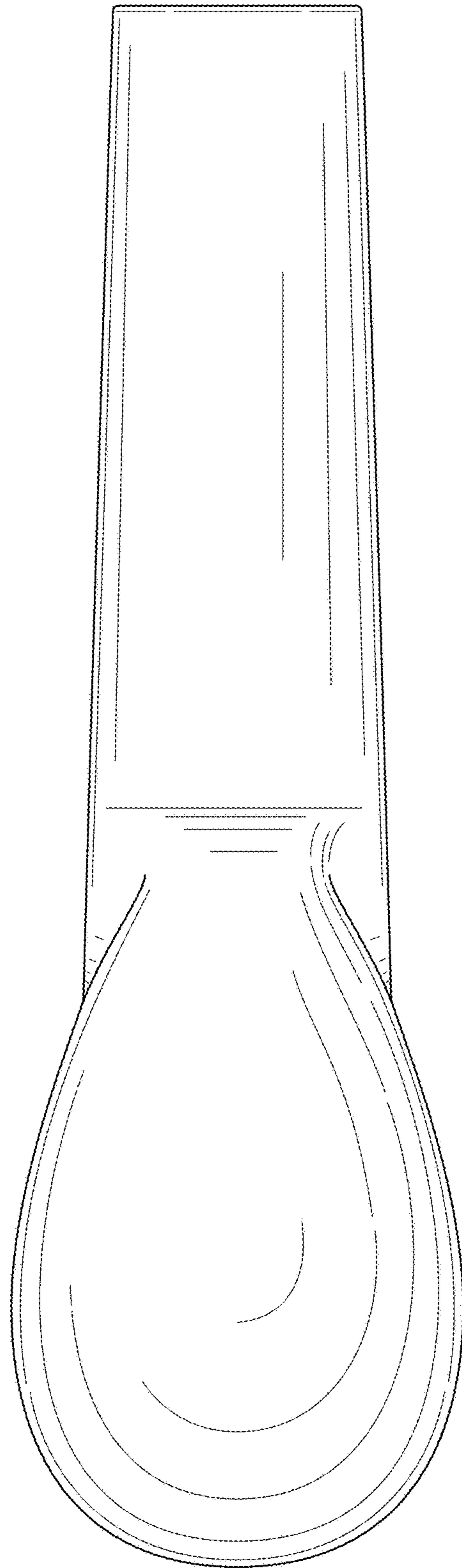


FIG. 5

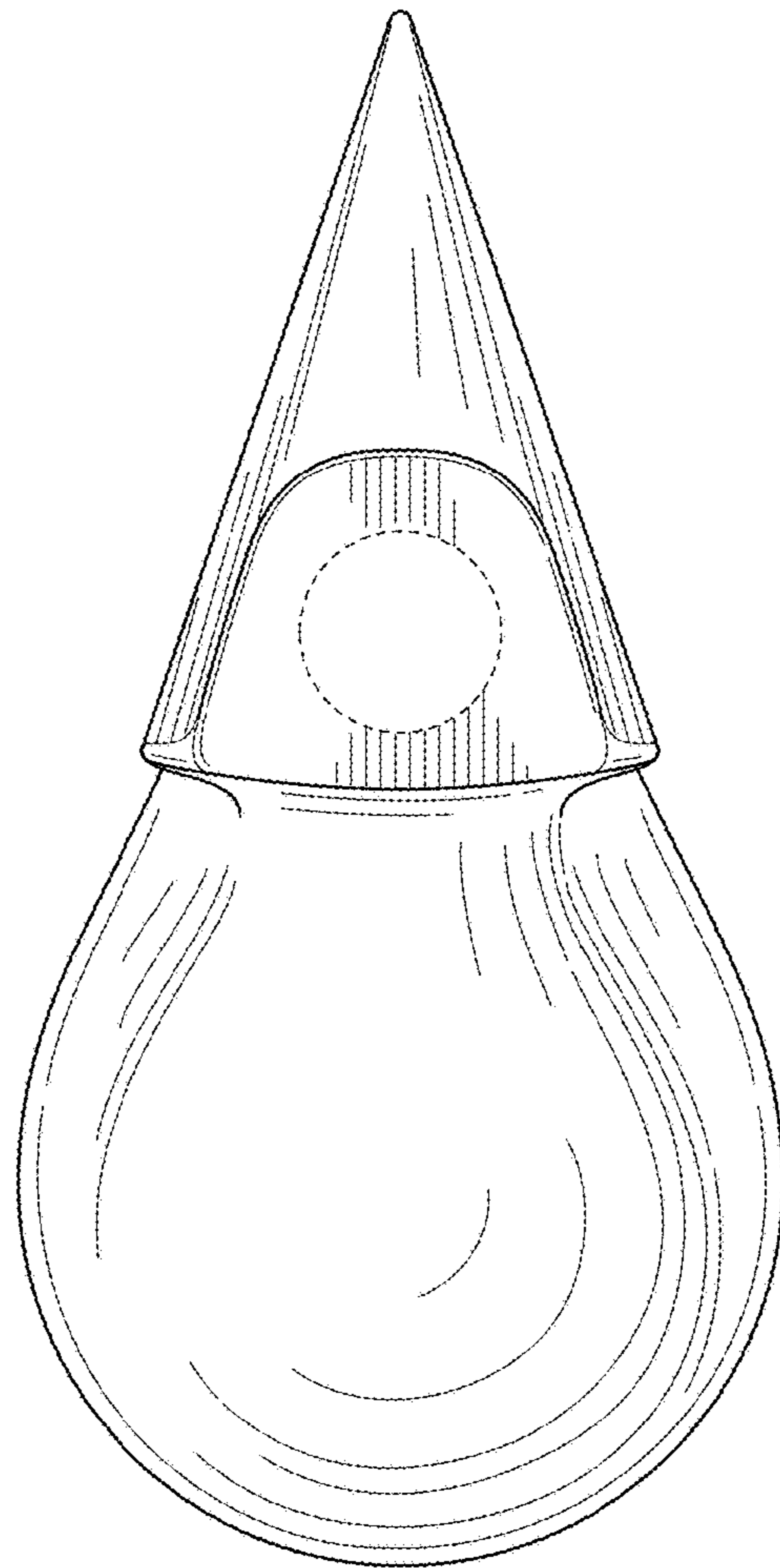


FIG. 6

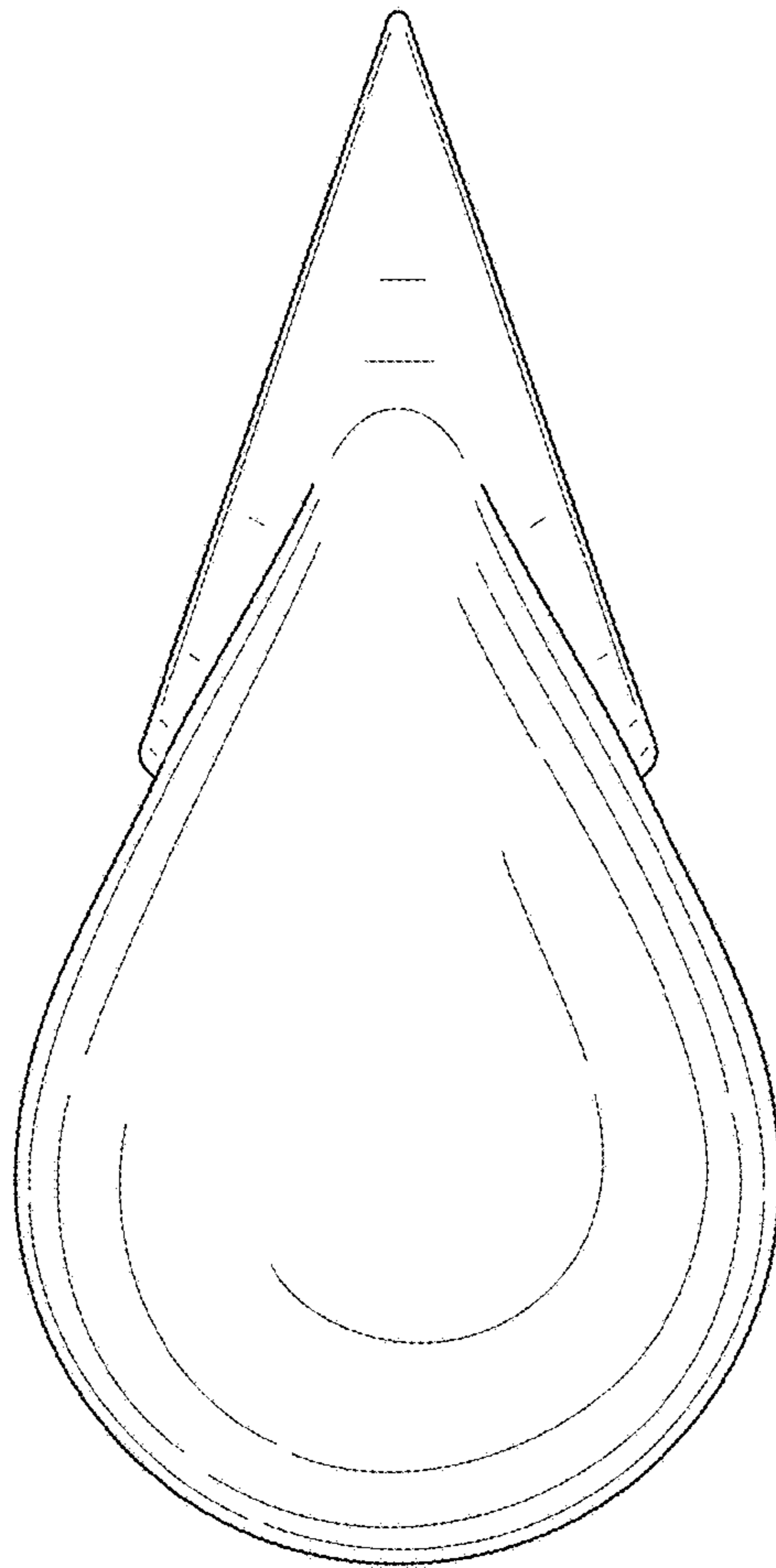


FIG. 7