



US00D804604S

(12) **United States Design Patent**
Shelton et al.

(10) **Patent No.:** **US D804,604 S**

(45) **Date of Patent:** **** Dec. 5, 2017**

(54) **HANDSTOP FOR A FIREARM**

(71) Applicant: **RAILSCALES, LLC**, Broken Arrow, OK (US)

(72) Inventors: **Derek Hunter Shelton**, Claremore, OK (US); **Brent Taylor McGuire**, Depew, OK (US)

(73) Assignee: **RAILSCALES LLC**, Claremore, OK (US)

(**) Term: **15 Years**

(21) Appl. No.: **29/564,008**

(22) Filed: **May 10, 2016**

(51) **LOC (10) Cl.** **22-01**

(52) **U.S. Cl.**
USPC **D22/108**

(58) **Field of Classification Search**
USPC D21/572-575; D22/103, 108; D14/418
CPC F41C 23/00; F41C 27/00; F41C 27/06;
F41C 23/10; F41C 23/14; F41C 23/16;
F41C 23/18; F41A 21/28; F41A 5/18;
F41A 5/24

See application file for complete search history.

(56) **References Cited**

U.S. PATENT DOCUMENTS

D643,497 S * 8/2011 Fitzpatrick D22/108
D645,005 S * 9/2011 Menheere D13/171
D665,043 S * 8/2012 Fitzpatrick D22/108

D698,405 S * 1/2014 Kline D22/108
D698,885 S * 2/2014 Faifer D22/108
D712,499 S * 9/2014 Pittman D22/108
D741,271 S * 10/2015 Noack D13/174
D745,629 S * 12/2015 Barfoot D22/108
D759,185 S * 6/2016 Kielsmeier D22/108
D779,017 S * 2/2017 Liu D22/108
9,612,072 B2 * 4/2017 Hochstrate F41A 11/02
D790,651 S * 6/2017 Saadon D22/108
2013/0333263 A1 * 12/2013 Hovey F41C 23/16
42/72

* cited by examiner

Primary Examiner — Michael A. Pratt

(74) *Attorney, Agent, or Firm* — Eversheds Sutherland (US) LLP

(57) **CLAIM**

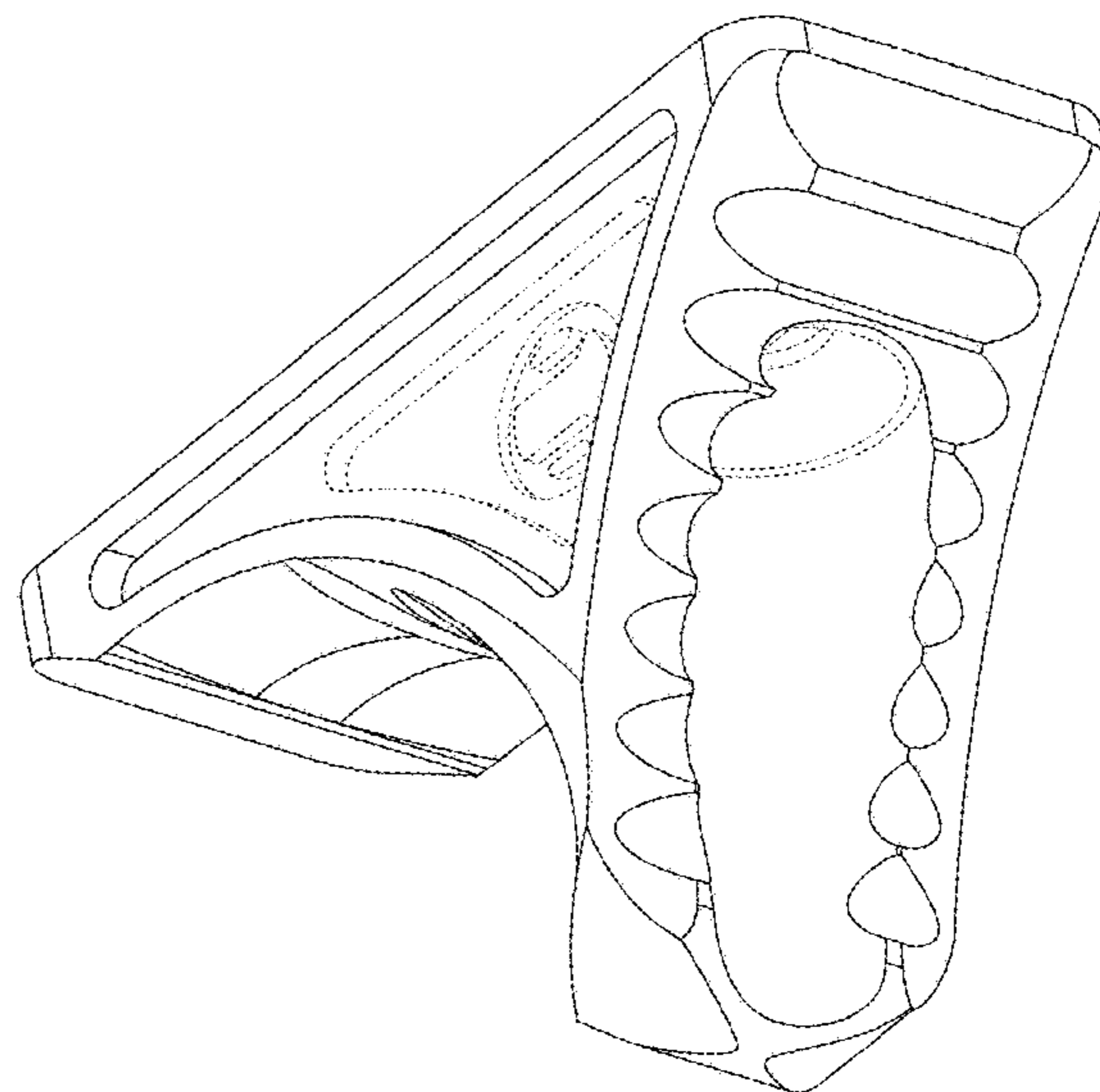
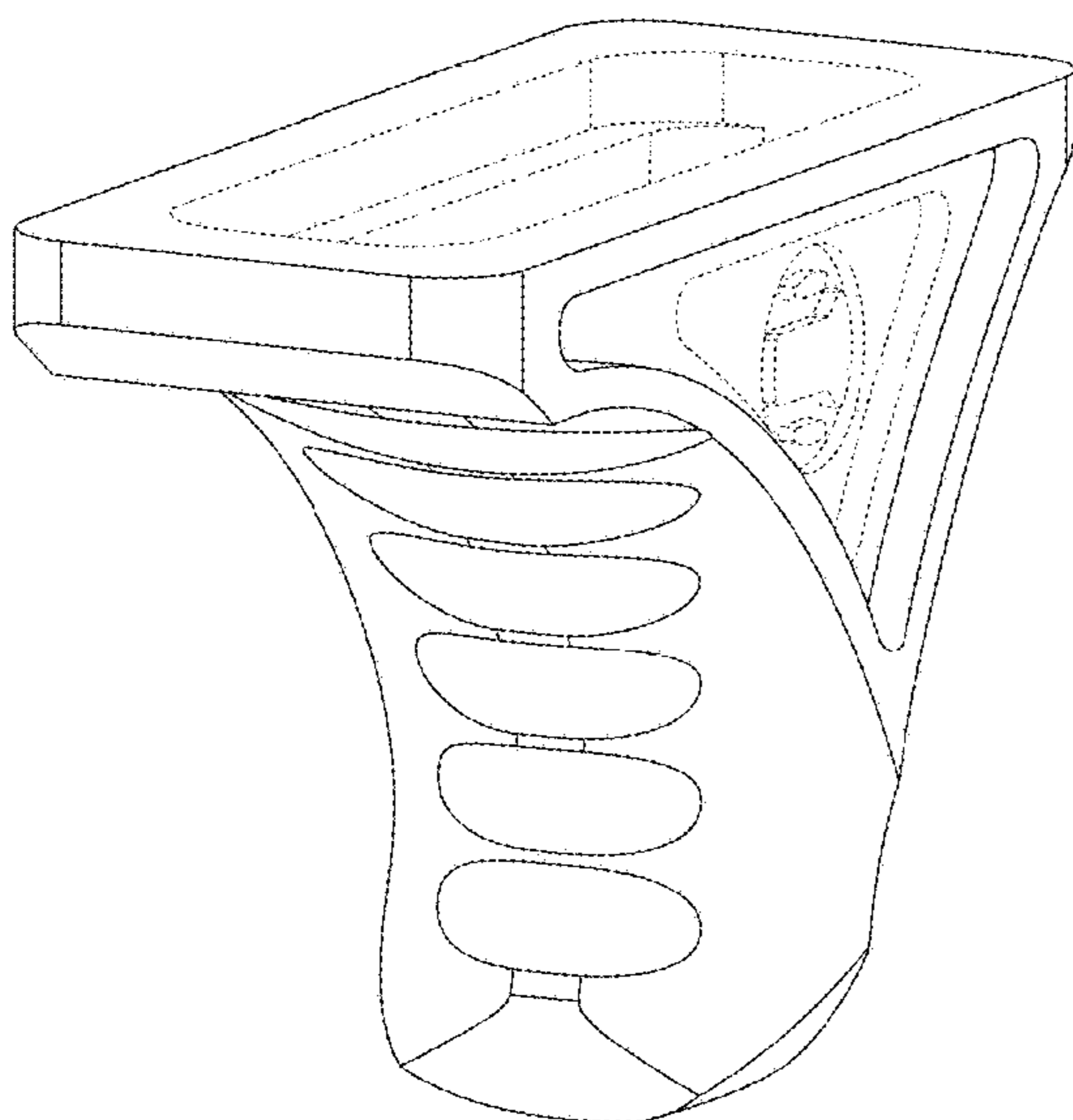
The ornamental design for a handstop for a firearm, as shown and described.

DESCRIPTION

FIG. 1 is a perspective view of a handstop for a firearm; FIG. 2 is a perspective view thereof; FIG. 3 is a rear view thereof; FIG. 4 is a front view thereof; FIG. 5 is a side view thereof; FIG. 6 is a side view thereof; FIG. 7 is a top view thereof; and, FIG. 8 is a bottom view thereof.

The broken lines in the drawings depict parts of the handstop that form no part of the claimed design.

1 Claim, 8 Drawing Sheets



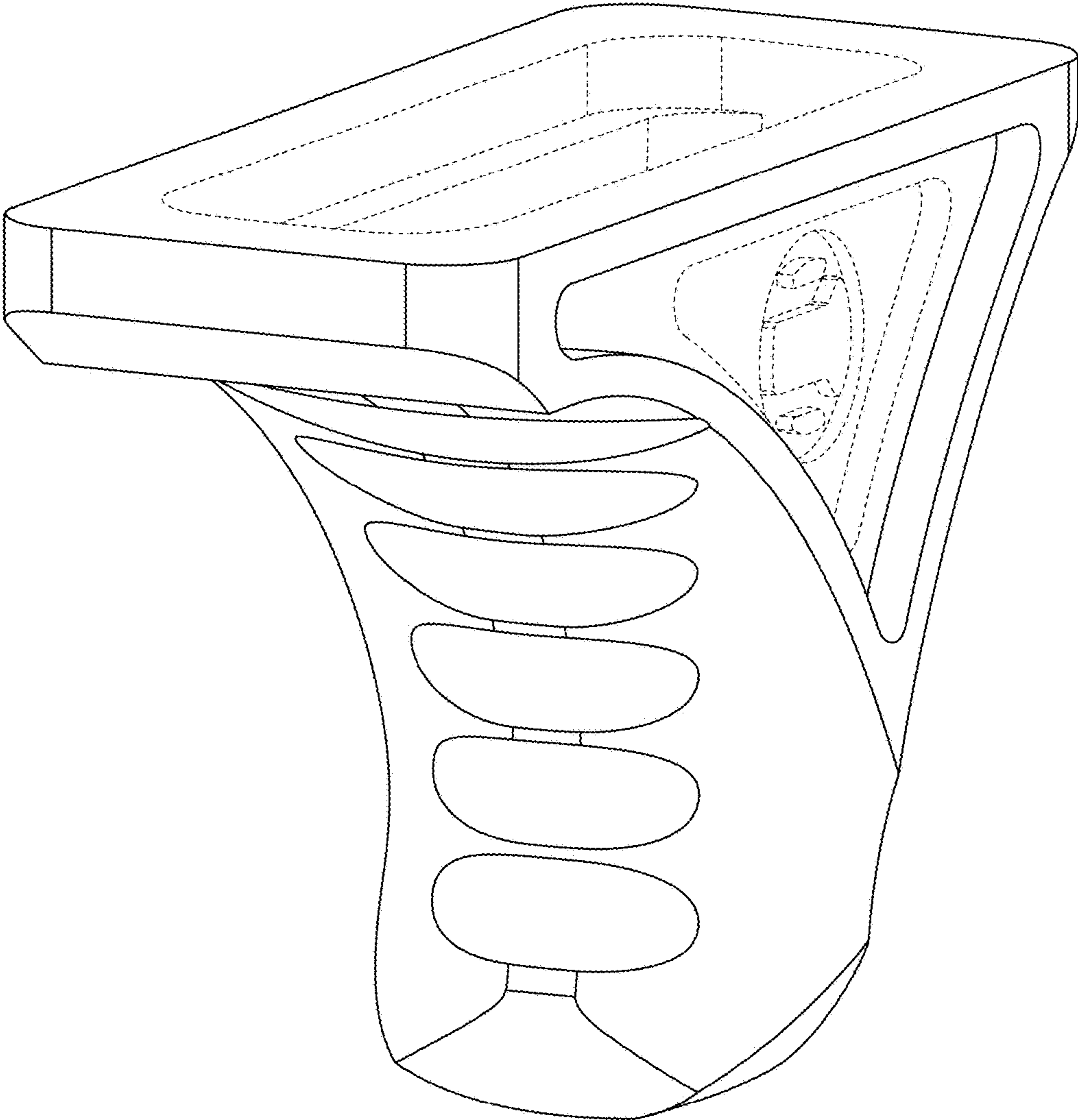


FIG. 1

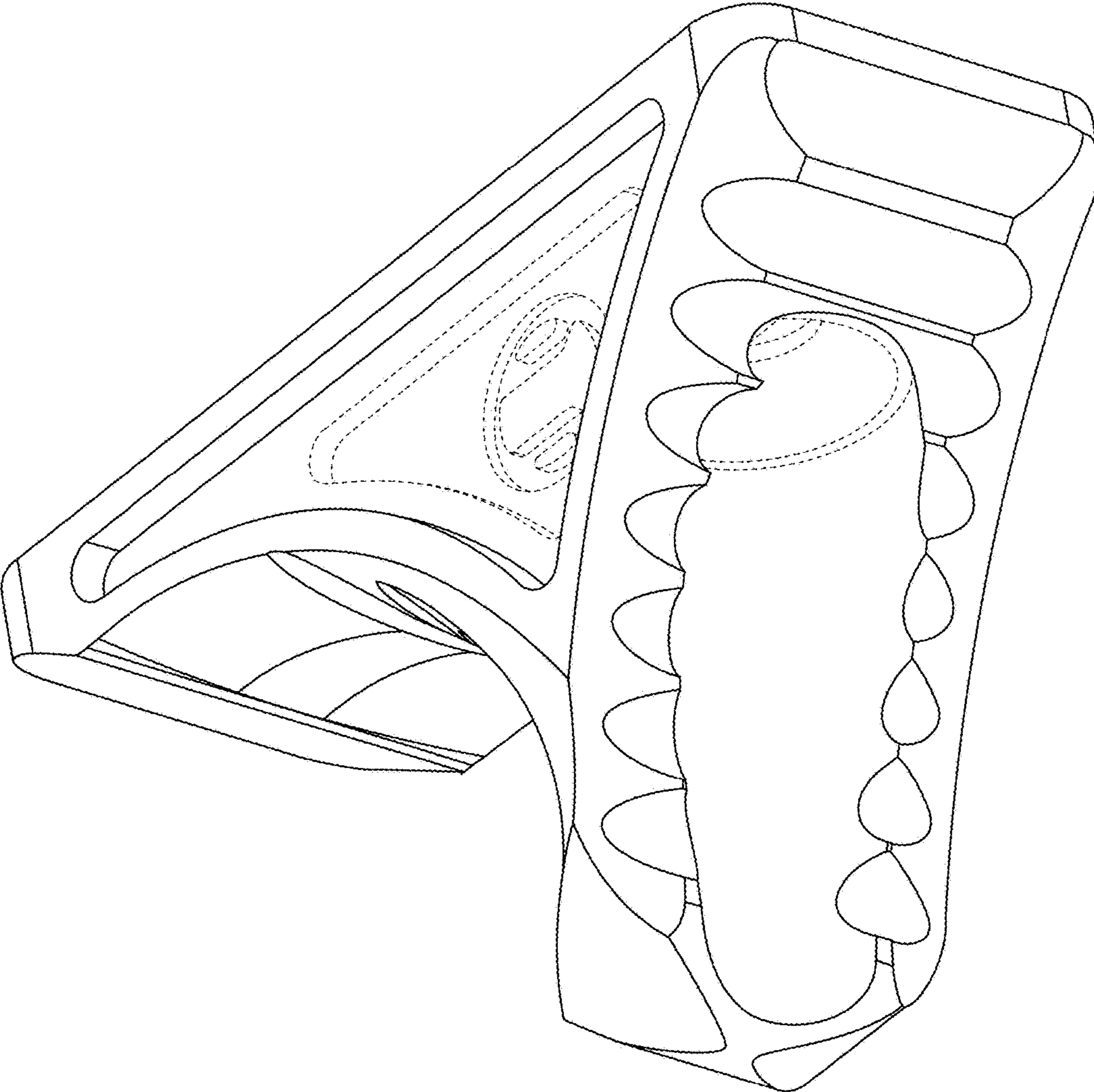


FIG. 2

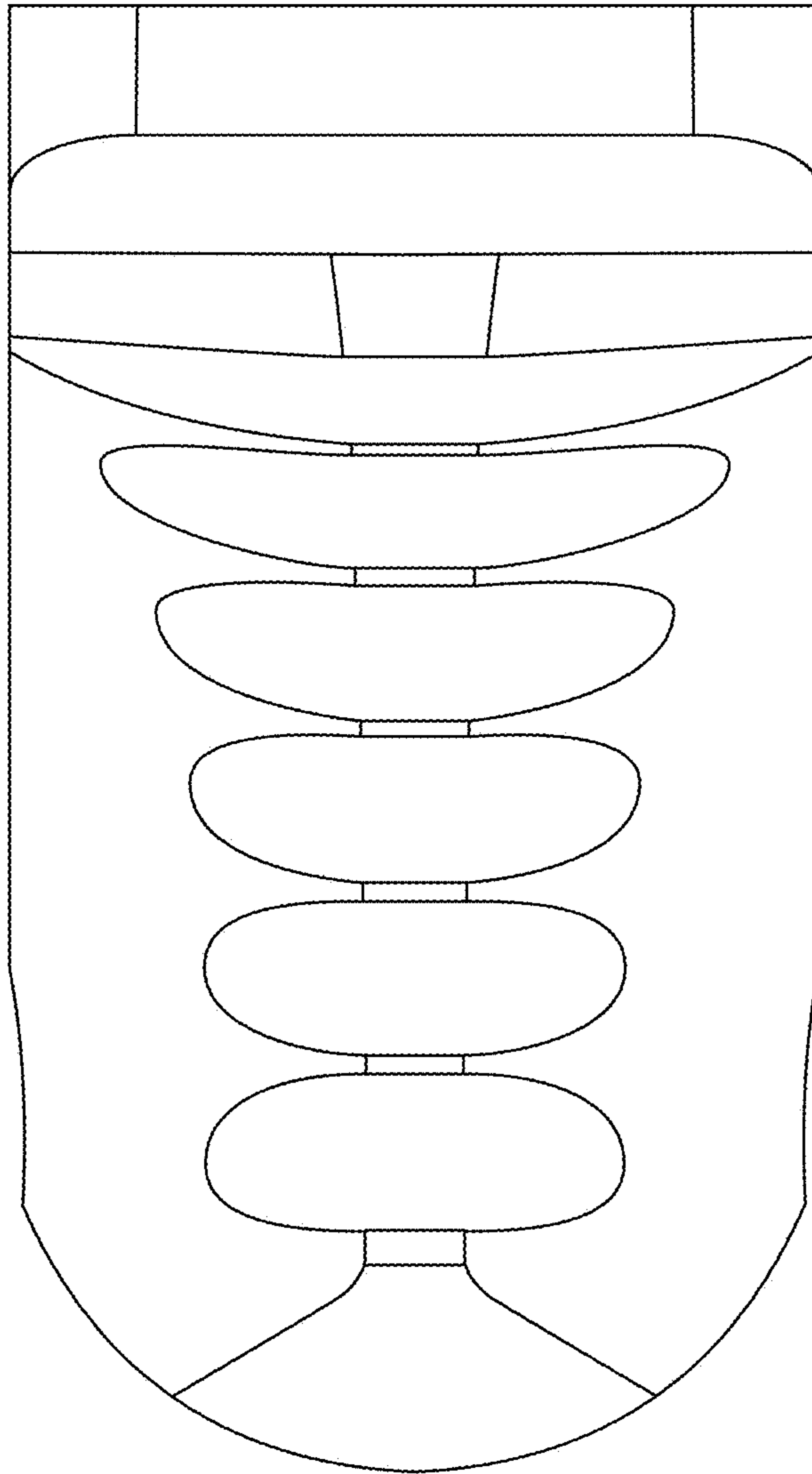


FIG. 3

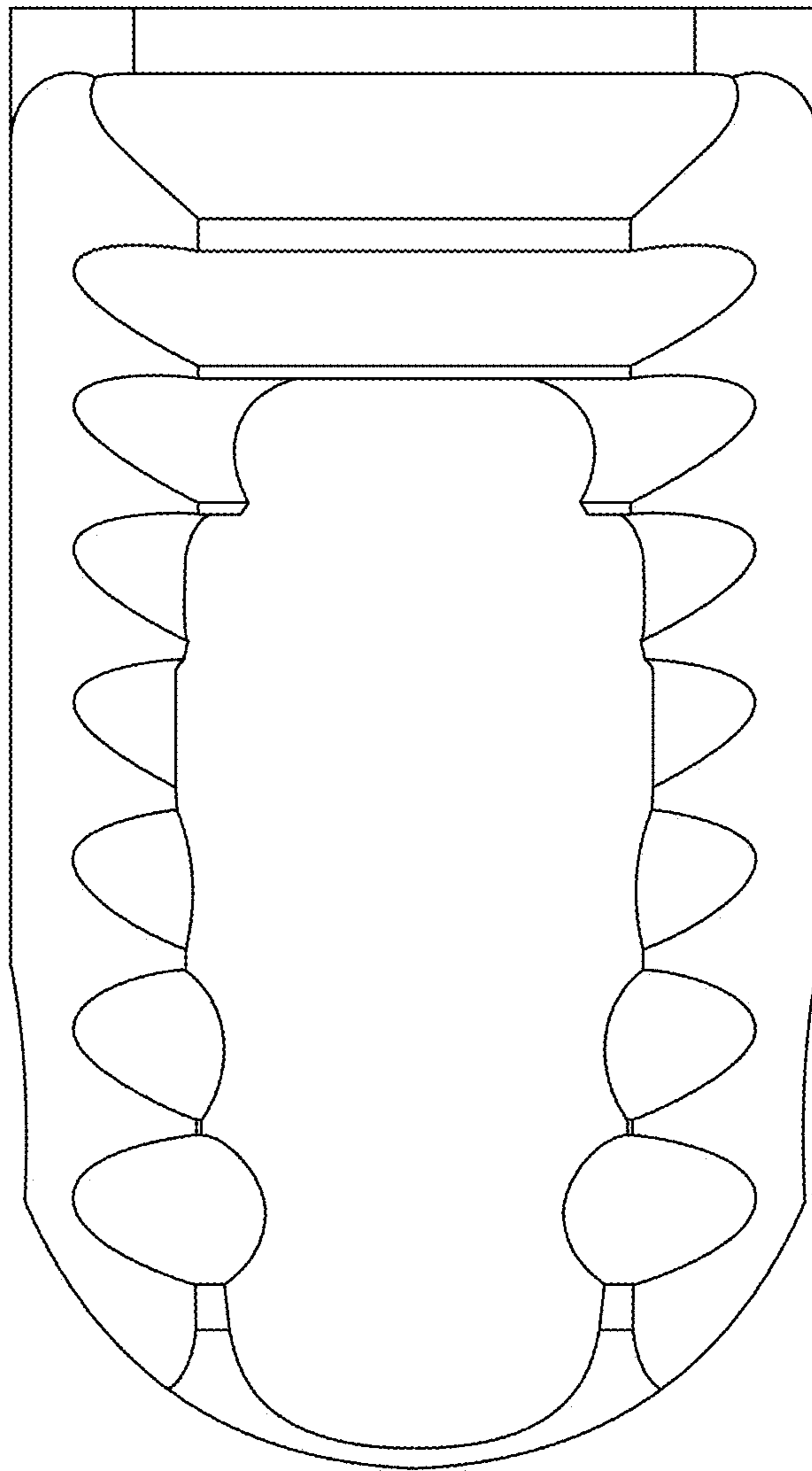


FIG. 4

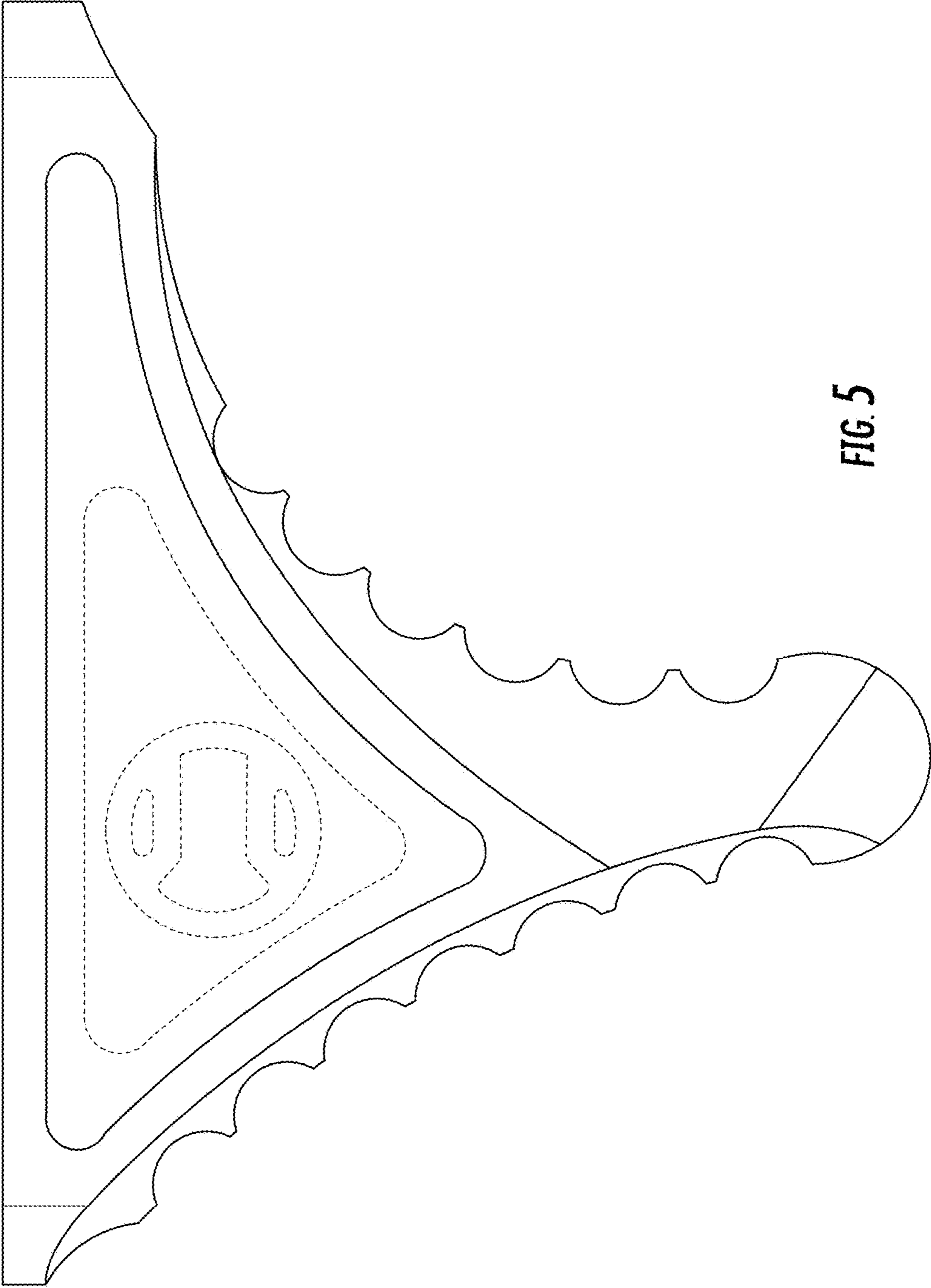


FIG. 5

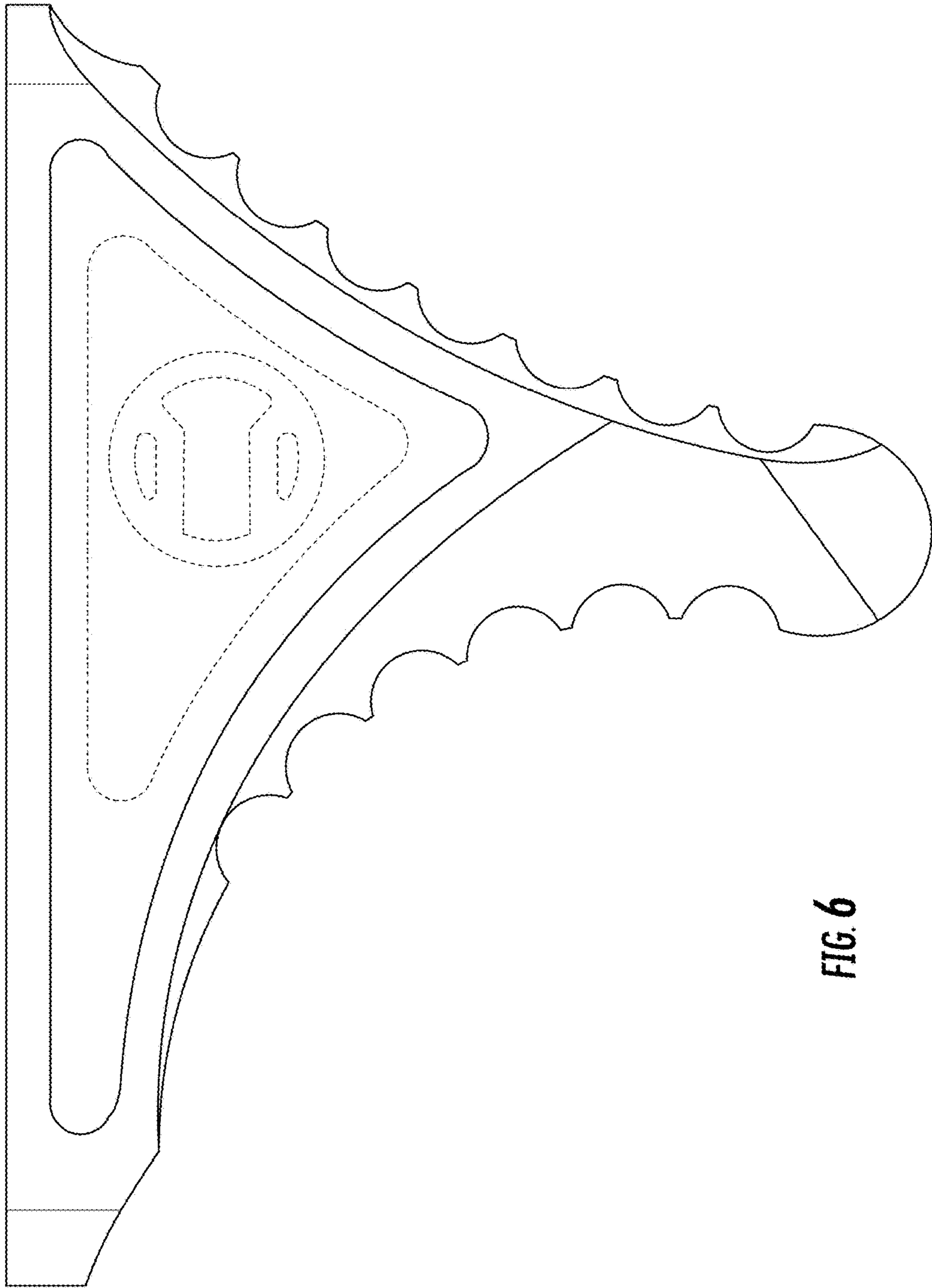


FIG. 6

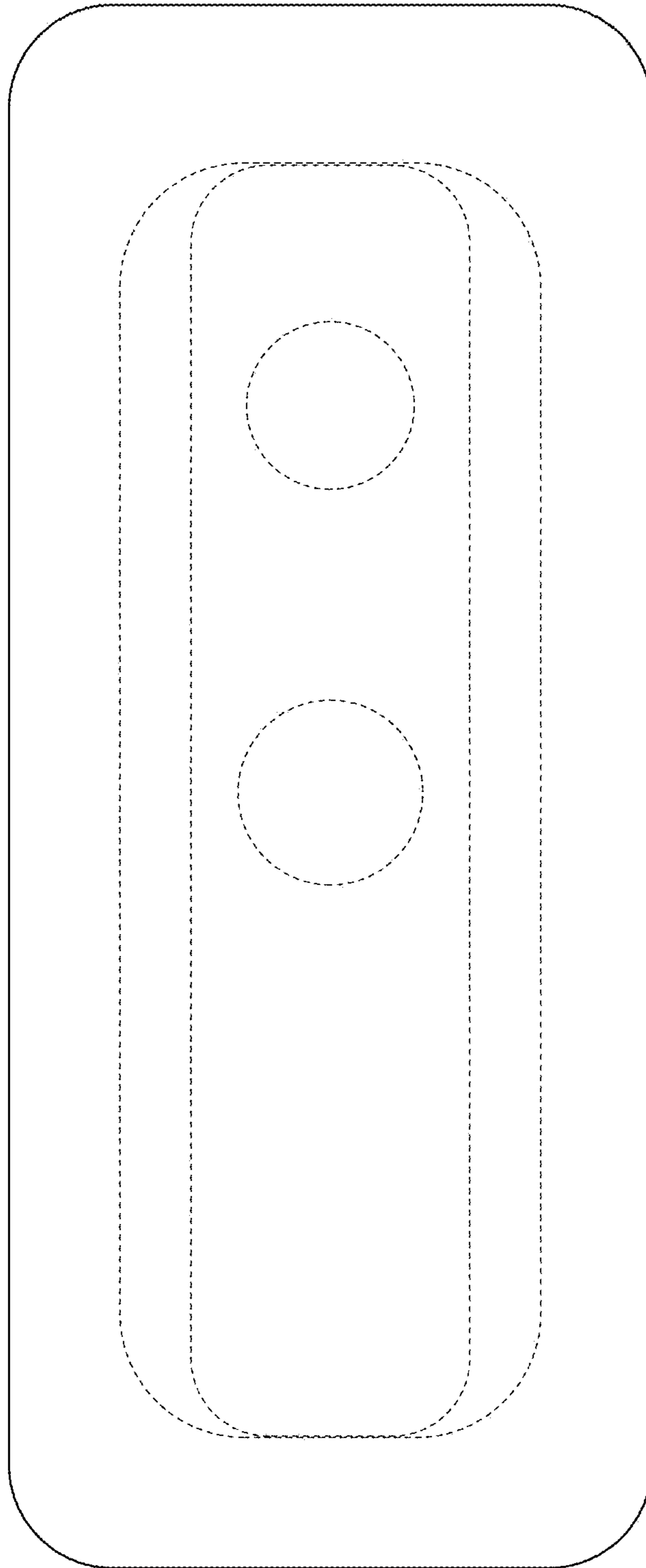


FIG. 7

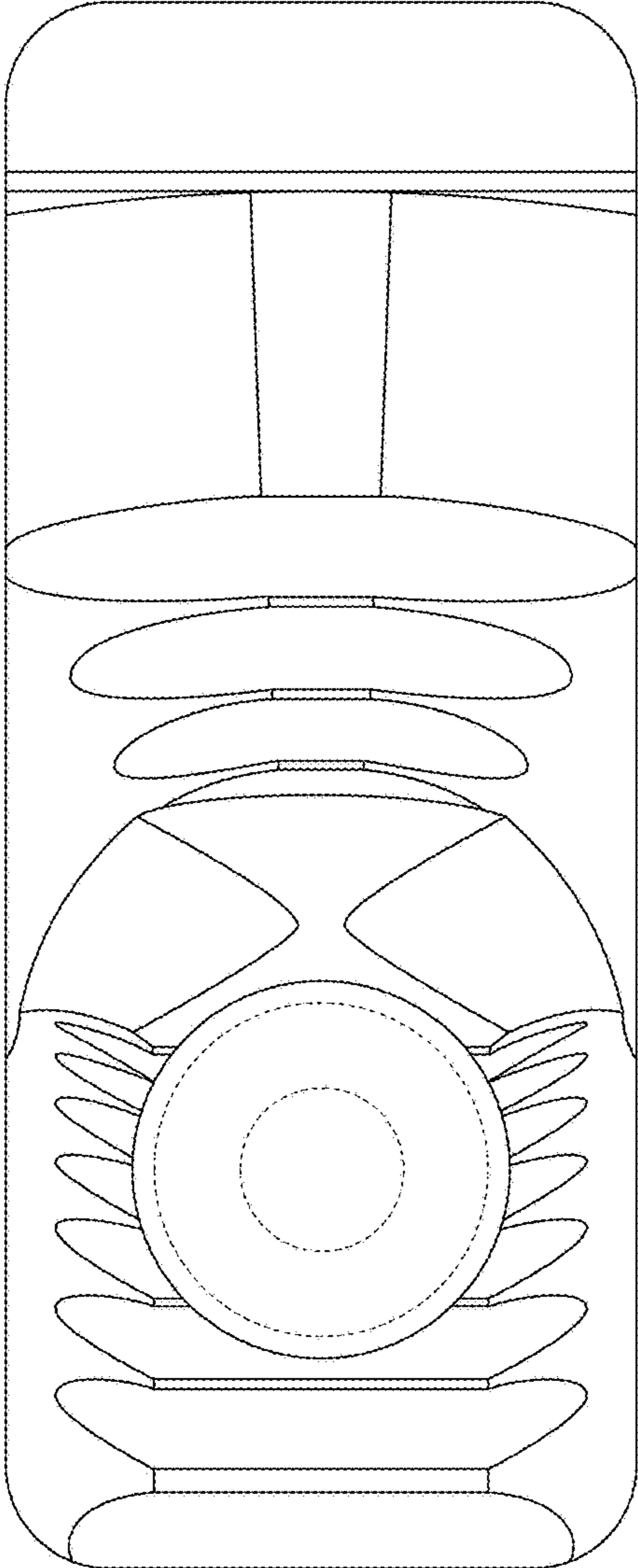


FIG. 8