



US00D804600S

(12) **United States Design Patent** (10) **Patent No.:** **US D804,600 S**
Cruz Ricardez (45) **Date of Patent:** **** Dec. 5, 2017**

(54) **PERSONAL FLOTATION DEVICE**

(71) Applicant: **Waterblade, LLC**, North Las Vegas, NV (US)

(72) Inventor: **Gameli E. Cruz Ricardez**, North Las Vegas, NV (US)

(73) Assignee: **WATERBLADE, LLC**, North Las Vegas, NV (US)

(**) Term: **15 Years**

(21) Appl. No.: **29/563,720**

(22) Filed: **May 6, 2016**

(51) **LOC (10) Cl.** **21-02**

(52) **U.S. Cl.**
USPC **D21/803**

(58) **Field of Classification Search**
USPC D21/801, 803, 804, 805–809
CPC A63B 31/00
See application file for complete search history.

(56) **References Cited**

U.S. PATENT DOCUMENTS

D442,229 S *	5/2001	Chiang	D21/312
D464,390 S *	10/2002	Hunter	D21/803
D529,569 S *	10/2006	Chiang	D21/807
D558,292 S *	12/2007	Engaldo	D21/803
D711,486 S *	8/2014	Purdy	D21/769
D723,125 S *	2/2015	Purdy	D21/803
9,399,502 B1 *	7/2016	Cruz Ricardez	B63B 1/04
D766,014 S *	9/2016	Choi	D6/601
D775,294 S *	12/2016	Robinson	D21/803
2016/0280340 A1 *	9/2016	Cruz Ricardez	B63B 1/04

OTHER PUBLICATIONS

Water Blade, posted at waterblade.net, posting date not given, [online], [site visited Mar. 10, 2017]. Available from Internet, <URL: http://waterblade.net/Views/Story.aspx>.*

* cited by examiner

Primary Examiner — George D. Kirschbaum

Assistant Examiner — Maria J Edwards

(74) *Attorney, Agent, or Firm* — Conley Rose, P.C.

(57) **CLAIM**

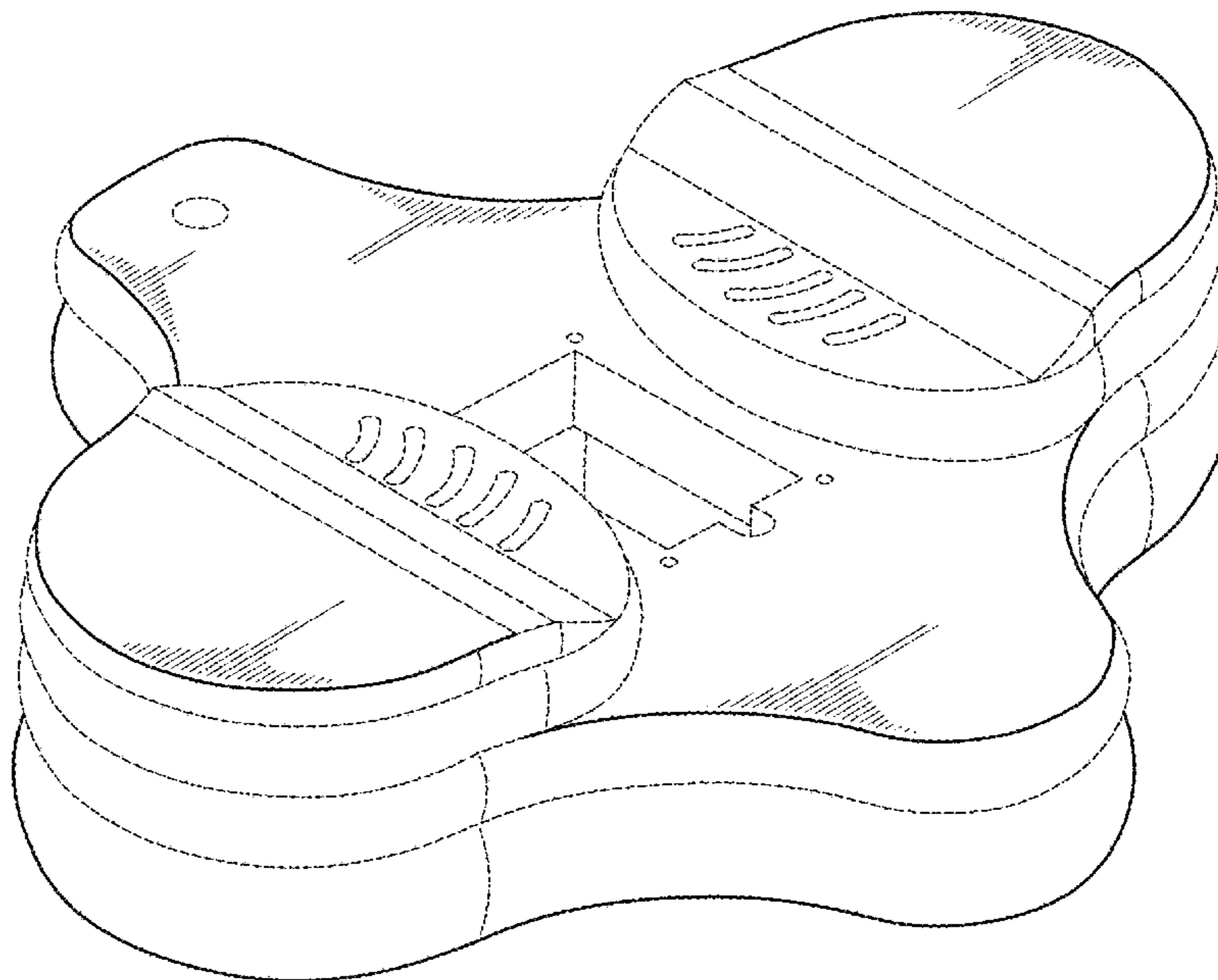
The ornamental design for a personal flotation device, as shown and described.

DESCRIPTION

FIG. 1 is a top front perspective view of a personal flotation device in accordance with the new design;
 FIG. 2 is a top rear perspective view thereof;
 FIG. 3 is a bottom front perspective view thereof;
 FIG. 4 is a top elevation view thereof;
 FIG. 5 is a bottom elevation view thereof;
 FIG. 6 is a front elevation view thereof;
 FIG. 7 is a back elevation view thereof;
 FIG. 8 is a side elevation view thereof;
 FIG. 9 is a side elevation view thereof, for the side opposite that of FIG. 8;
 FIG. 10 is a top front perspective view of a second embodiment thereof; and,
 FIG. 11 is a bottom front perspective view of the second embodiment.

The broken lines shown in the drawings are only provided to illustrate the environment of the design and form no part of the claimed design.

1 Claim, 9 Drawing Sheets



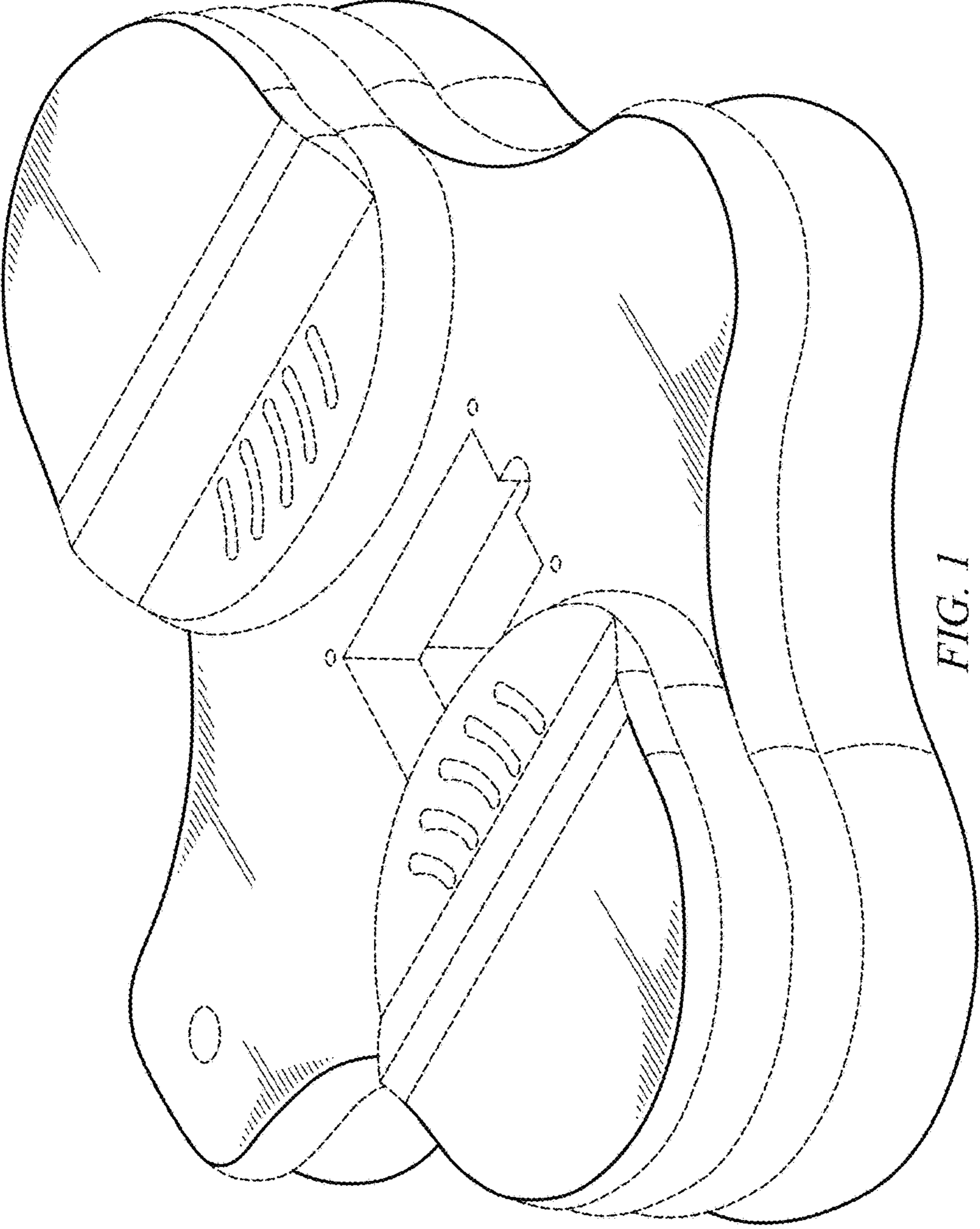
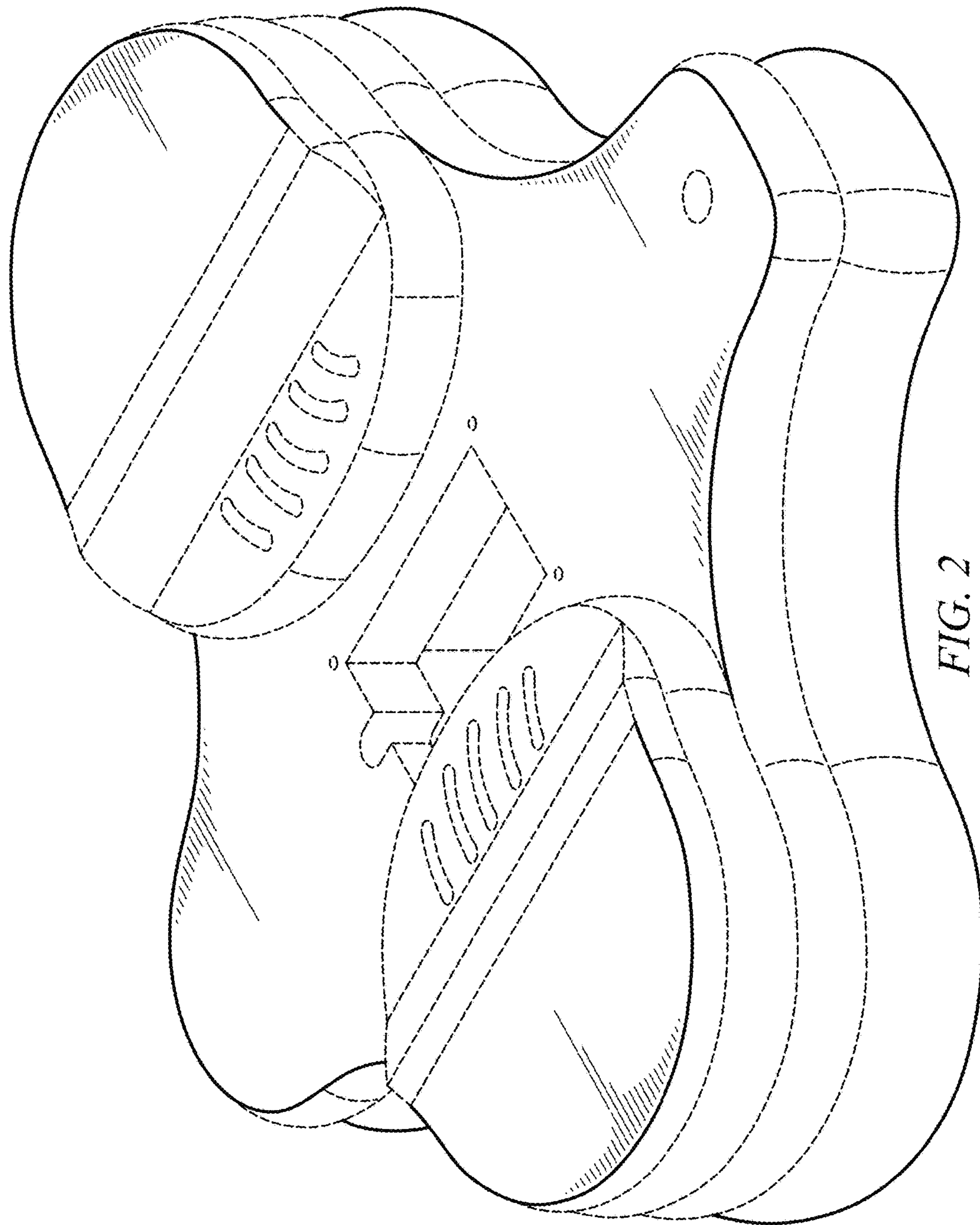


FIG. 1



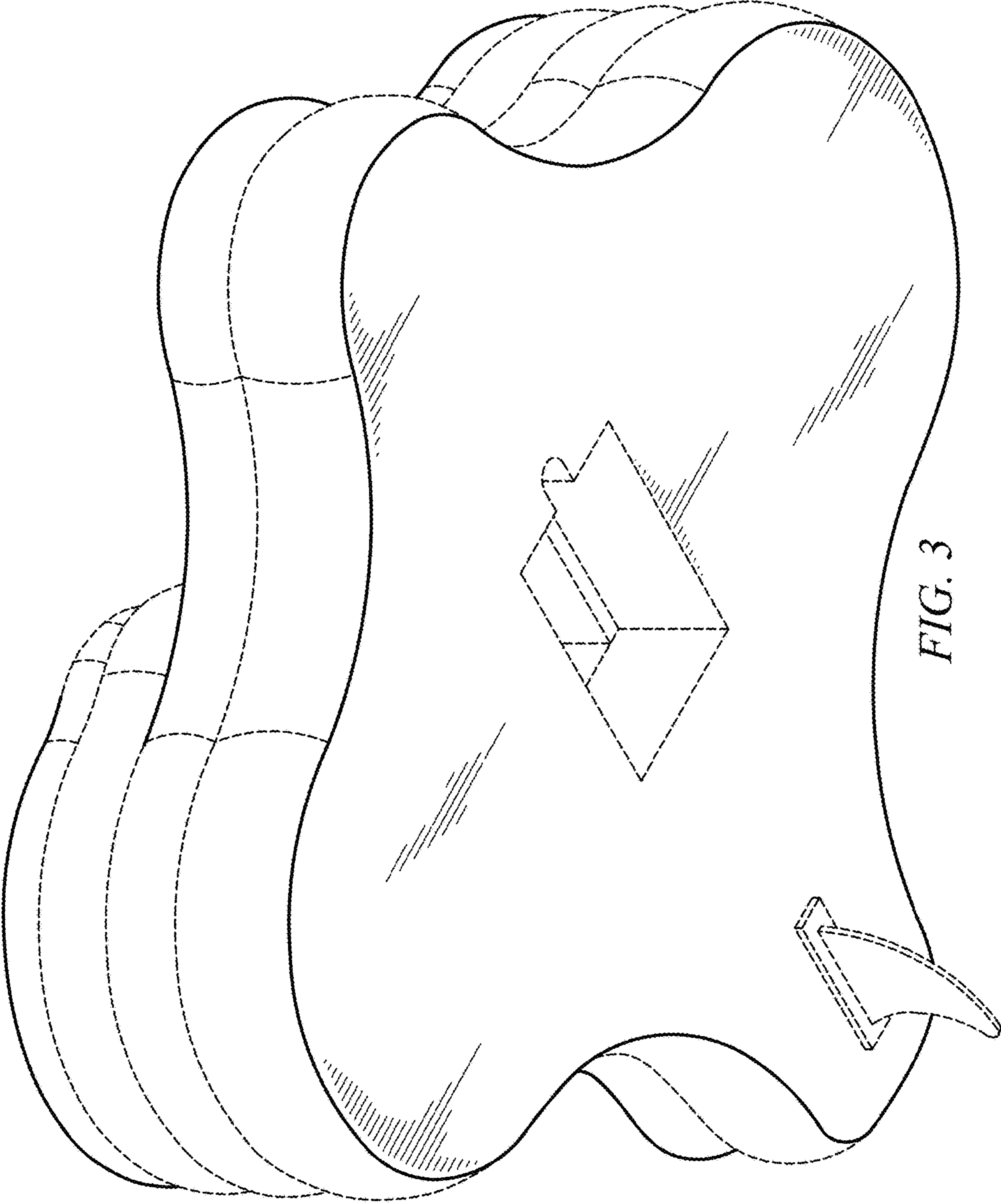
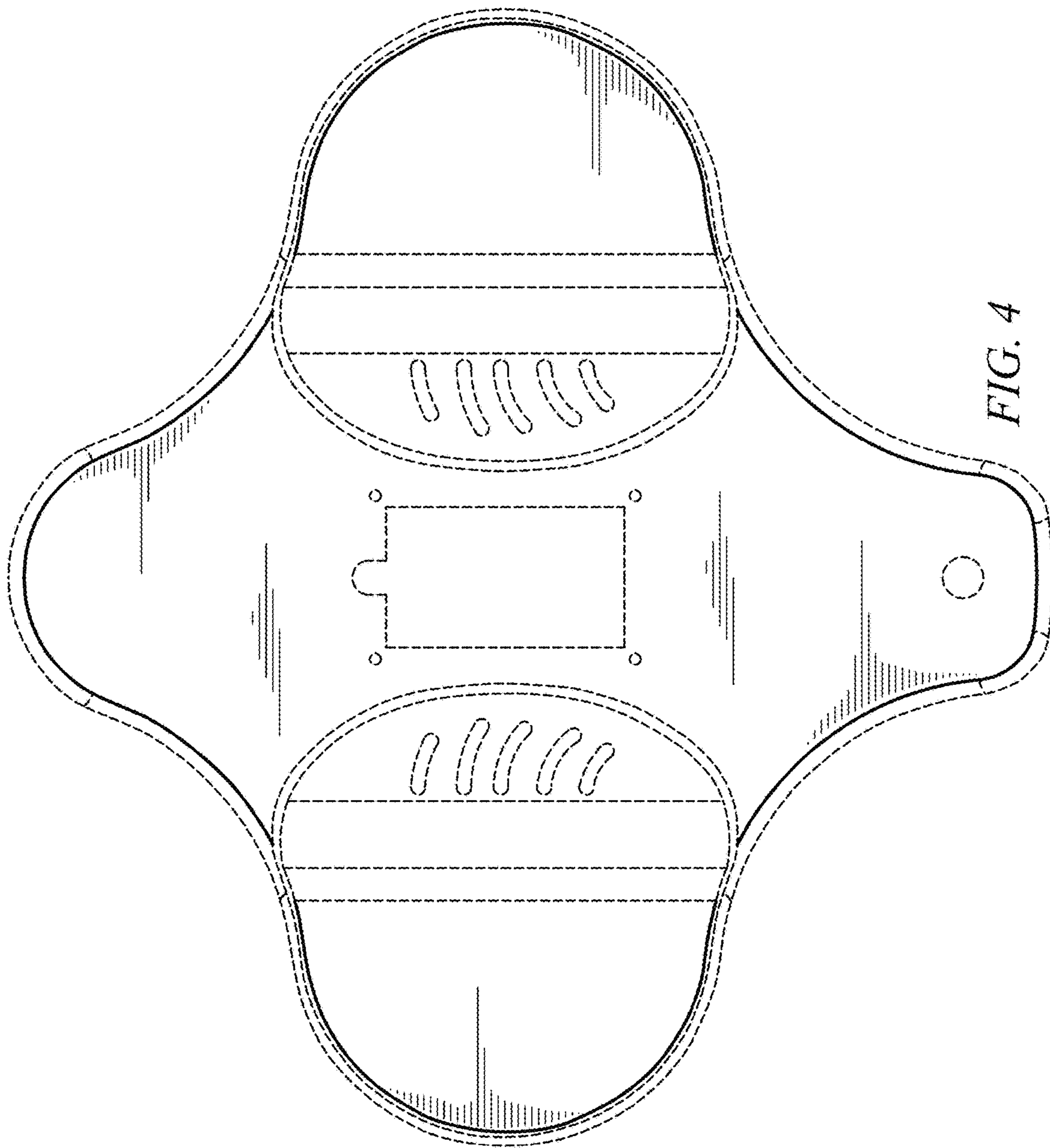


FIG. 3



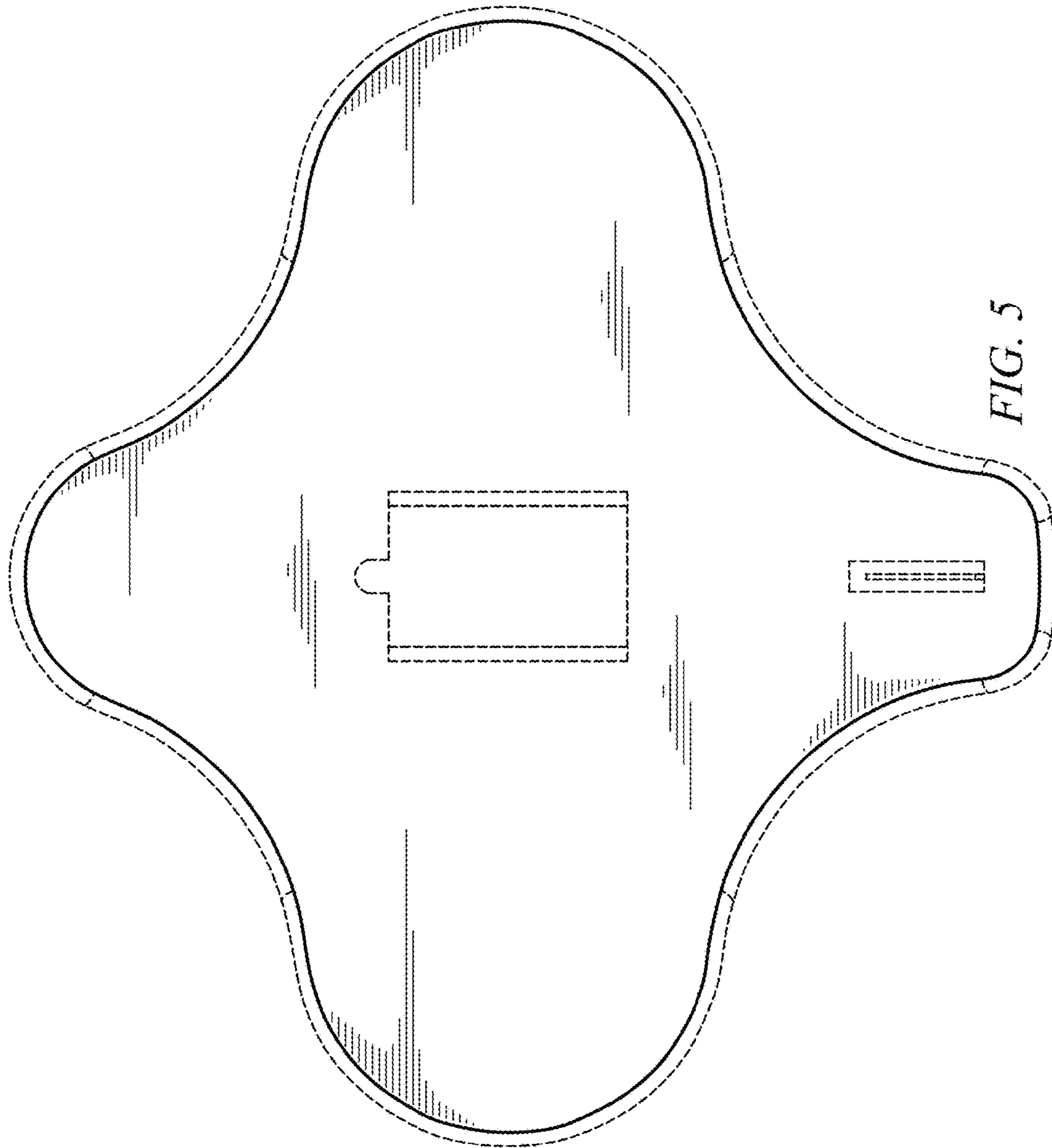


FIG. 5

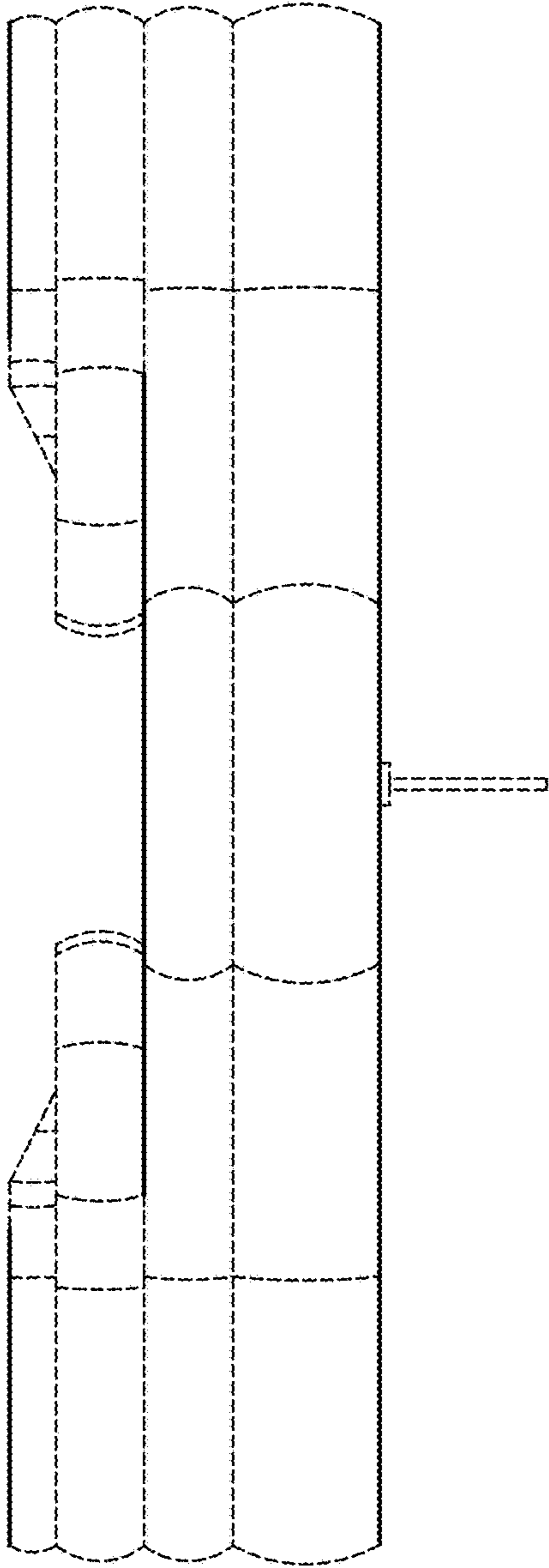


FIG. 6

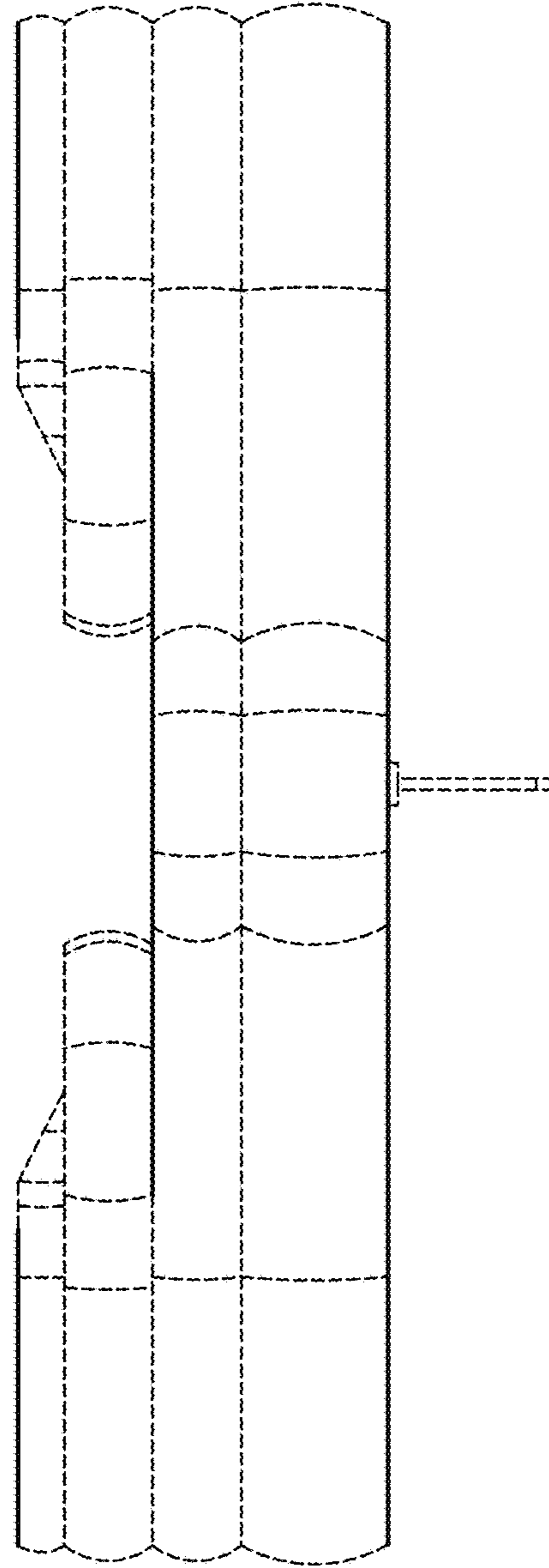


FIG. 7

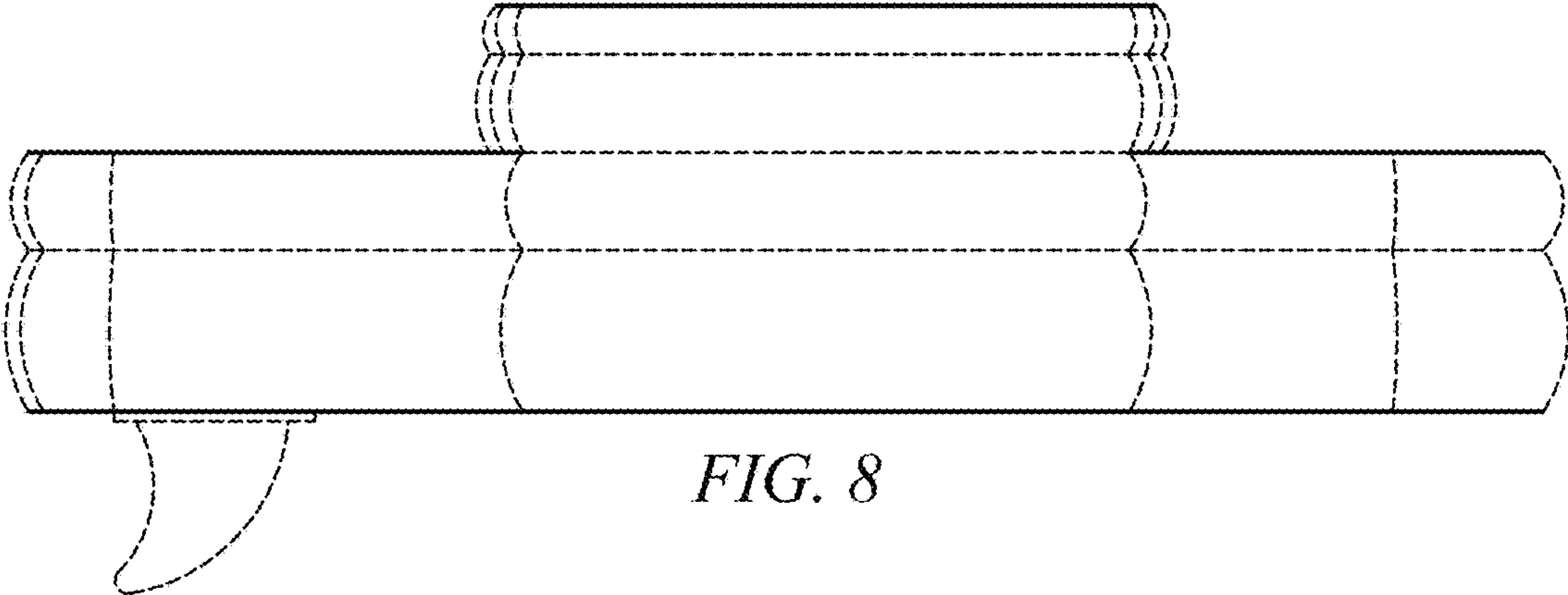


FIG. 8

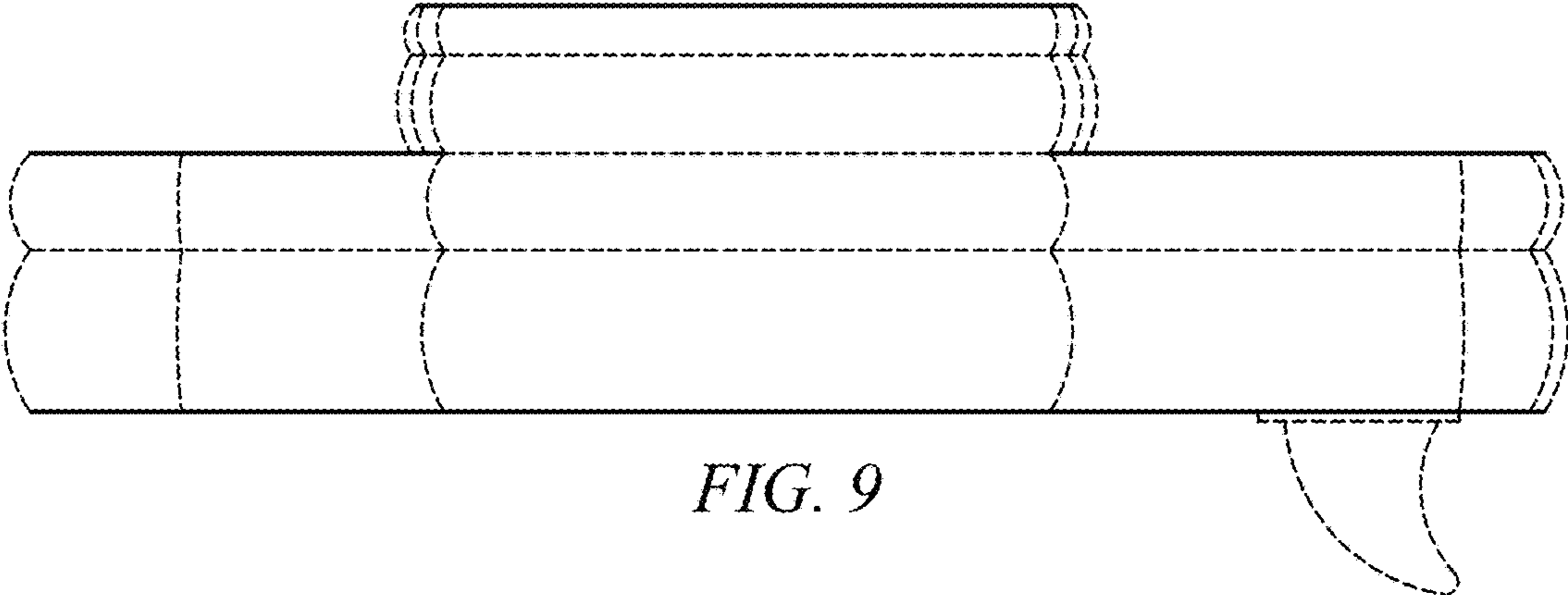


FIG. 9

