

US00D804598S

(12) **United States Design Patent** (10) **Patent No.:** **US D804,598 S**
Albert (45) **Date of Patent:** **** Dec. 5, 2017**

(54) **FLOOR AND BEAM BACK HANDSPRING TRAINING APPARATUS**
(71) Applicant: **Endless Mountains Gymnastics, LLC**, Wyalusing, PA (US)
(72) Inventor: **Damon B. Albert**, Wyalusing, PA (US)
(73) Assignee: **Endless Mountains Gymnastics, LLC**, Wyalusing, PA (US)
(**) Term: **15 Years**
(21) Appl. No.: **29/533,117**
(22) Filed: **Jul. 14, 2015**

Related U.S. Application Data

(62) Division of application No. 29/498,659, filed on Aug. 6, 2014, now Pat. No. Des. 740,902.
(51) **LOC (10) Cl.** **21-02**
(52) **U.S. Cl.**
USPC **D21/797**
(58) **Field of Classification Search**
USPC D21/688, 686, 671, 690, 662, 797, 484, D21/685, 501, 500, 499, 680, 491, 502; 482/148, 23, 142, 140, 121, 99, 123, 133, 482/122, 144, 143, 145, 907; D30/160, D30/118; D6/349, 601, 374, 582, 583, D6/596, 691.4, 716.5, 375, 334, 361, 366, D6/584, 587, 604, 595, 367, 336; 5/420, 5/636, 922, 655, 655.4, 702, 911, 417, 5/630, 632; D24/190, 191, 192, 183, D24/186; D14/549, 458; D12/410; D25/113; 297/397, 284.3, 391, 230.1, 297/284.5; 14/69.5
CPC . A47C 7/425; A63B 21/4035; A63B 21/0004; A63B 26/003; A63B 2023/006; B60N 2/66; A47G 9/10; A63H 33/04
See application file for complete search history.

(56) **References Cited**
U.S. PATENT DOCUMENTS
D238,266 S * 12/1975 Dalton D12/410
4,210,322 A * 7/1980 Pritchard A63B 21/00047
446/216
D296,323 S * 6/1988 McCarthy D13/179
D313,399 S * 1/1991 Earl D13/179
D325,087 S * 3/1992 Brinker D24/190
D325,943 S * 5/1992 Kuperman D21/560
5,266,378 A * 11/1993 Stephenson B60T 3/00
188/32
D347,533 S * 6/1994 Lambert D24/190
D353,173 S * 12/1994 Almeda D21/687
D361,905 S * 9/1995 Adams D6/334
D365,218 S * 12/1995 Russell D6/393
5,474,513 A * 12/1995 Carlesimo A61F 5/01
482/140

(Continued)

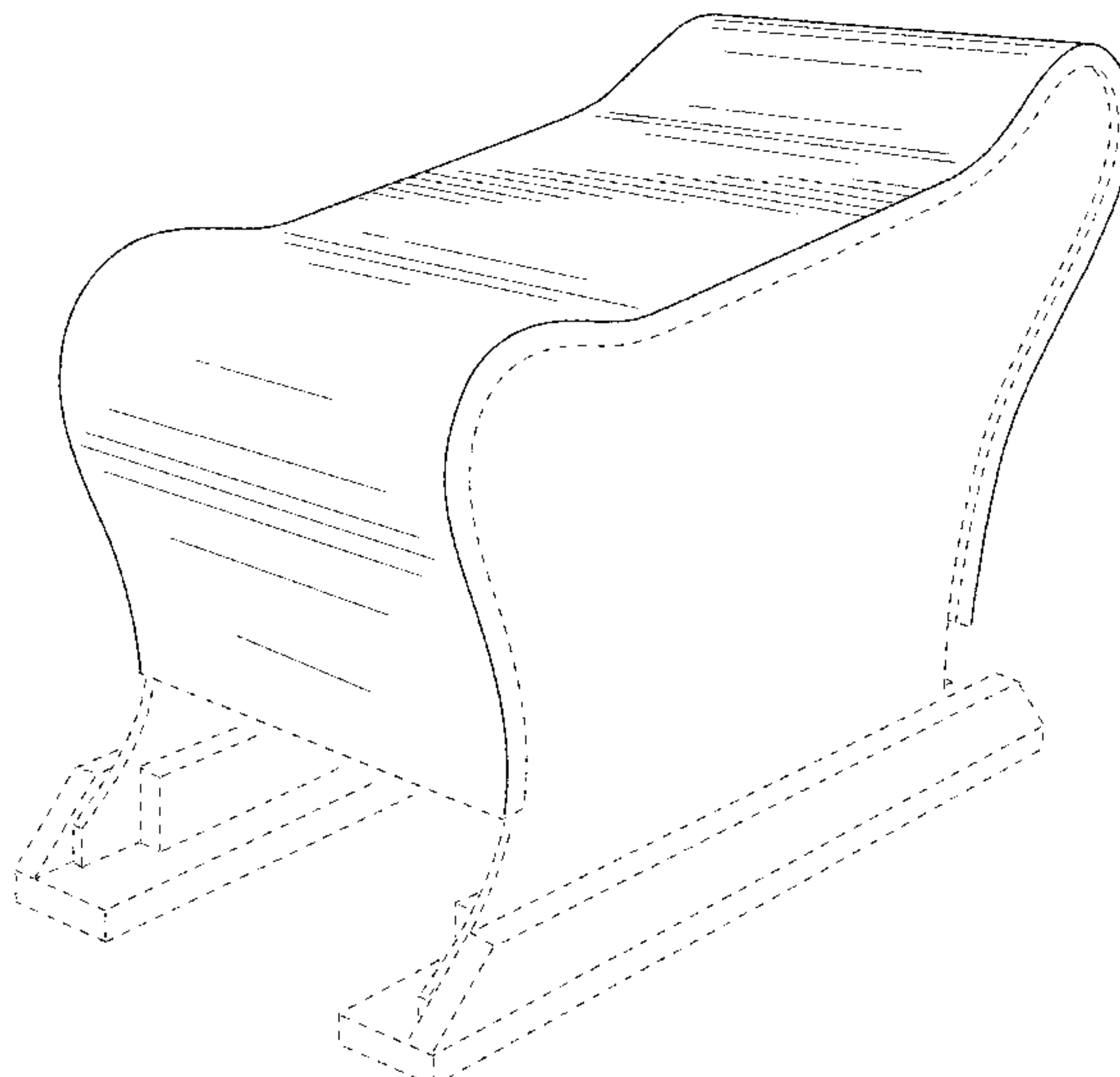
Primary Examiner — Robert M Spear
Assistant Examiner — Ryan Harvey
(74) *Attorney, Agent, or Firm* — Hoffmann & Baron, LLP

(57) **CLAIM**
The ornamental design for the floor and beam back hand-spring training apparatus, as shown and described.

DESCRIPTION

FIG. 1 is a front perspective view of the floor and beam back handspring training apparatus;
FIG. 2 is a rear perspective view of FIG. 1;
FIG. 3 is a left side view of FIG. 1;
FIG. 4 is a right side view of FIG. 1;
FIG. 5 is a back view of FIG. 1;
FIG. 6 is a front view of FIG. 1;
FIG. 7 is a top view of FIG. 1; and,
FIG. 8 is a bottom view of FIG. 1.
The broken lines in the drawings represent unclaimed subject matter and form no part of the claim.

1 Claim, 8 Drawing Sheets



(56)

References Cited

U.S. PATENT DOCUMENTS

5,795,276 A * 8/1998 Almeda A63B 21/00047
482/140
D420,782 S * 2/2000 Sandt D2/869
D448,228 S * 9/2001 Davis D6/601
D457,771 S * 5/2002 Boxrud D6/601
6,623,270 B1 * 9/2003 Meldeau A63B 21/00047
432/140
6,681,770 B1 * 1/2004 Dreher A61H 1/008
128/845
6,692,418 B2 * 2/2004 Shahan A63B 23/02
482/143
D495,379 S * 8/2004 Dubus D21/686
D515,709 S * 2/2006 Charon D25/113
D530,933 S * 10/2006 Vitaro D6/361
D532,828 S * 11/2006 Muramatsu D21/690
D555,741 S * 11/2007 Wachtfogel D21/662
D560,259 S * 1/2008 Heggdal D21/690
D571,871 S * 6/2008 Backstrand D21/686
D578,805 S * 10/2008 Diekman D6/601
D580,497 S * 11/2008 Dureiko D19/69
D606,601 S * 12/2009 Muramatsu D21/686
D608,102 S * 1/2010 Kemm D6/361
7,740,571 B1 * 6/2010 Le A63B 26/003
482/122
D628,247 S * 11/2010 de Boers D21/671
7,942,795 B2 * 5/2011 Harris A63B 23/03575
482/140
D640,325 S * 6/2011 Broen D19/69
D644,795 S * 9/2011 Haaf D30/160
D645,269 S * 9/2011 Vitale D6/361
D648,551 S * 11/2011 Clark D6/361
D651,770 S * 1/2012 Seliskar D30/160

D665,506 S * 8/2012 Derrick D24/191
RE43,981 E * 2/2013 Endelman A63B 21/4037
482/121
D688,053 S * 8/2013 Chiu D6/361
D691,828 S * 10/2013 Rosenberg D6/601
D695,857 S * 12/2013 Sterios D21/686
8,671,484 B1 * 3/2014 Logiodice A47D 13/08
5/655
D703,772 S * 4/2014 Sterios D21/688
8,726,436 B2 * 5/2014 Wright A47G 9/1081
5/636
D732,314 S * 6/2015 Fux D6/601
D740,902 S * 10/2015 Albert D21/797
D745,786 S * 12/2015 Ko D6/361
D783,714 S * 4/2017 Nanno D18/56
9,615,986 B2 * 4/2017 Santinelli Ramos
A61G 13/009
D787,072 S * 5/2017 Pryce-Jones D24/183
9,707,427 B2 * 7/2017 Davis A63B 5/11
2004/0033873 A1 * 2/2004 Van Straaten A47C 3/16
482/142
2004/0226096 A1 * 11/2004 Davis A47C 16/02
5/632
2009/0264265 A1 * 10/2009 Contreras A63B 21/00047
482/99
2010/0179038 A1 * 7/2010 Hahn A63B 17/00
482/142
2011/0207587 A1 * 8/2011 De La Rambelje
A63B 21/00047
482/140
2014/0378283 A1 * 12/2014 Qiu A63B 26/00
482/142
2015/0367168 A1 * 12/2015 Henniger A63B 23/0222
482/145

* cited by examiner

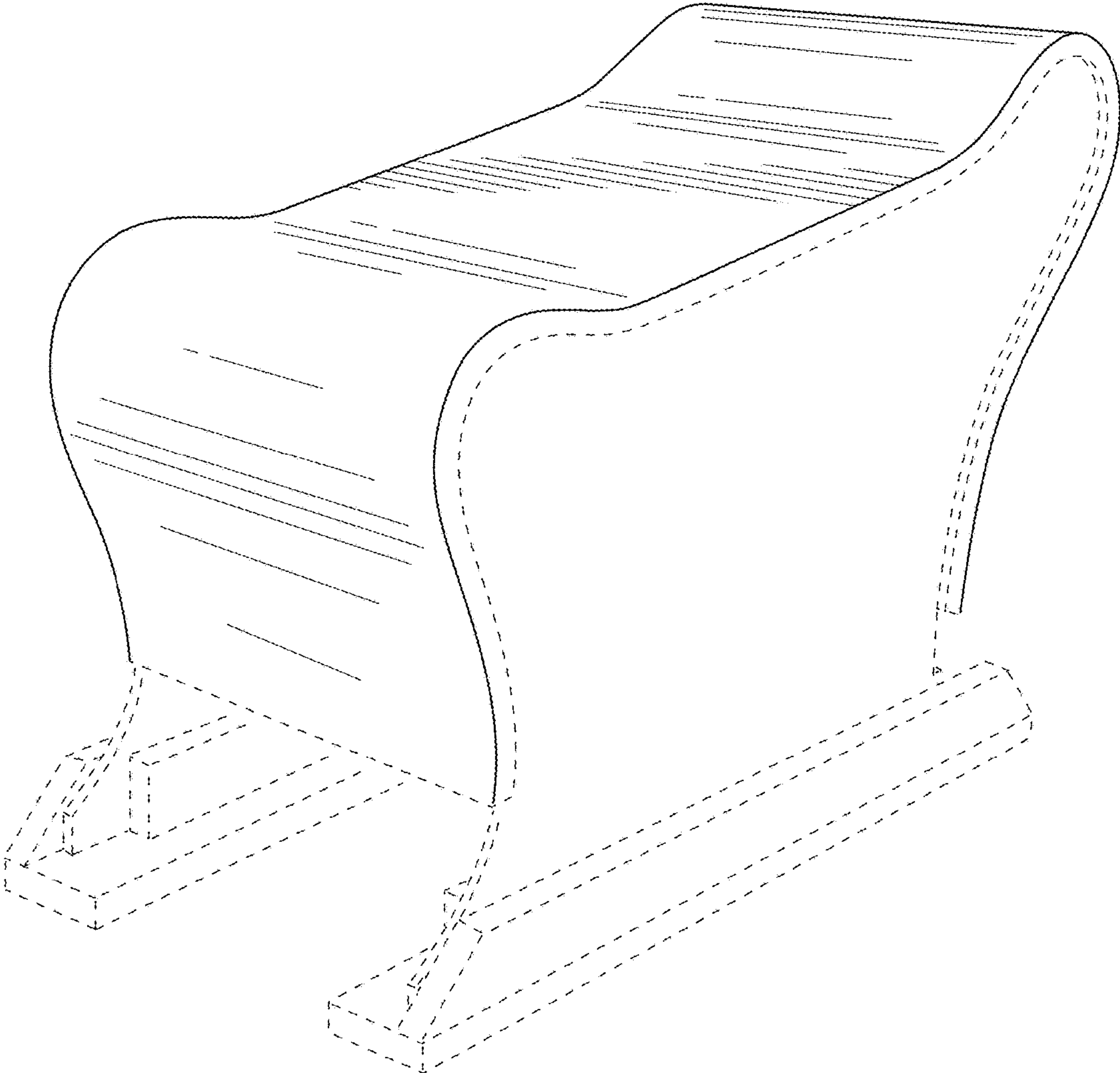


FIG. 1

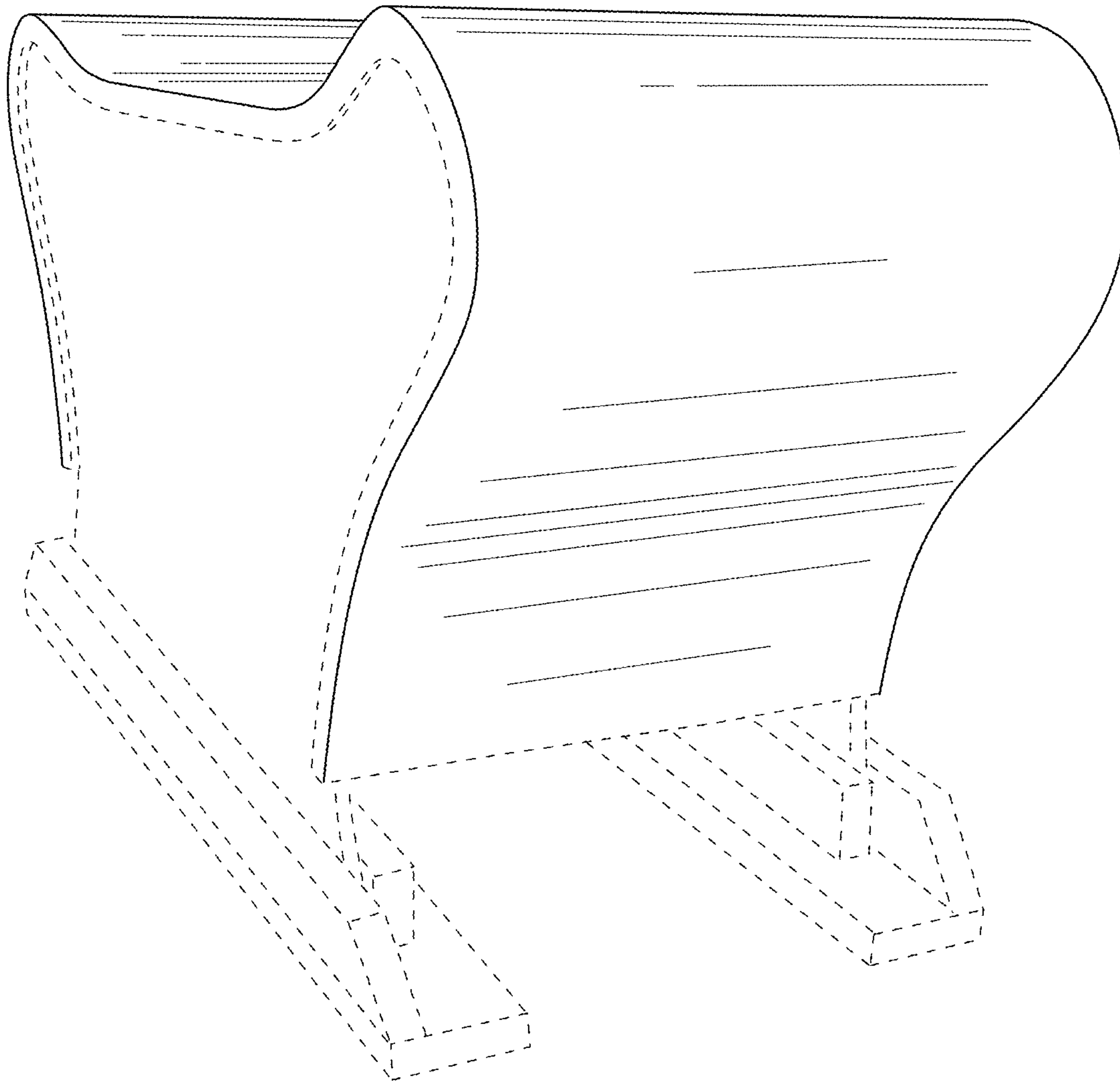


FIG. 2

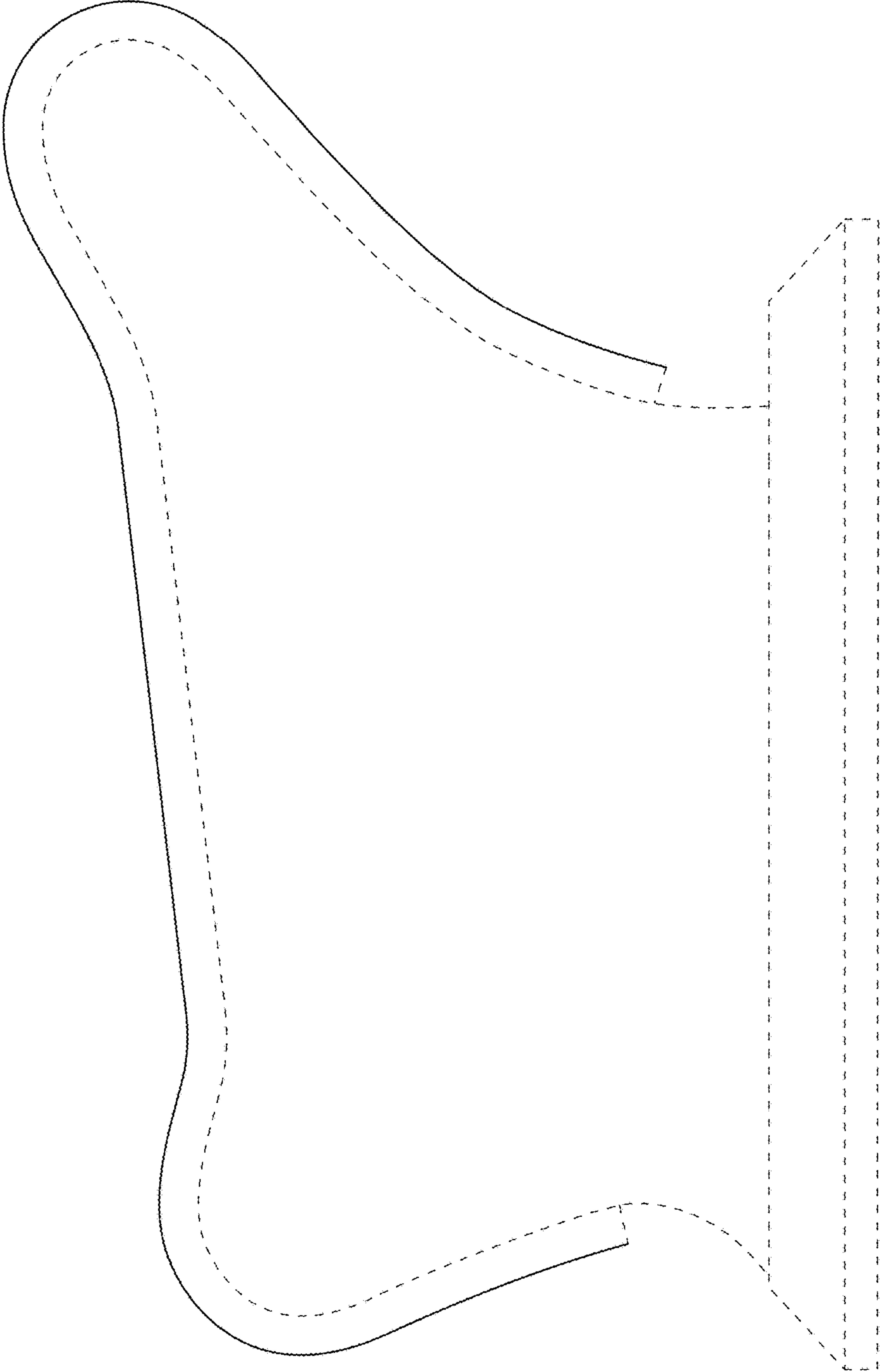


FIG. 3

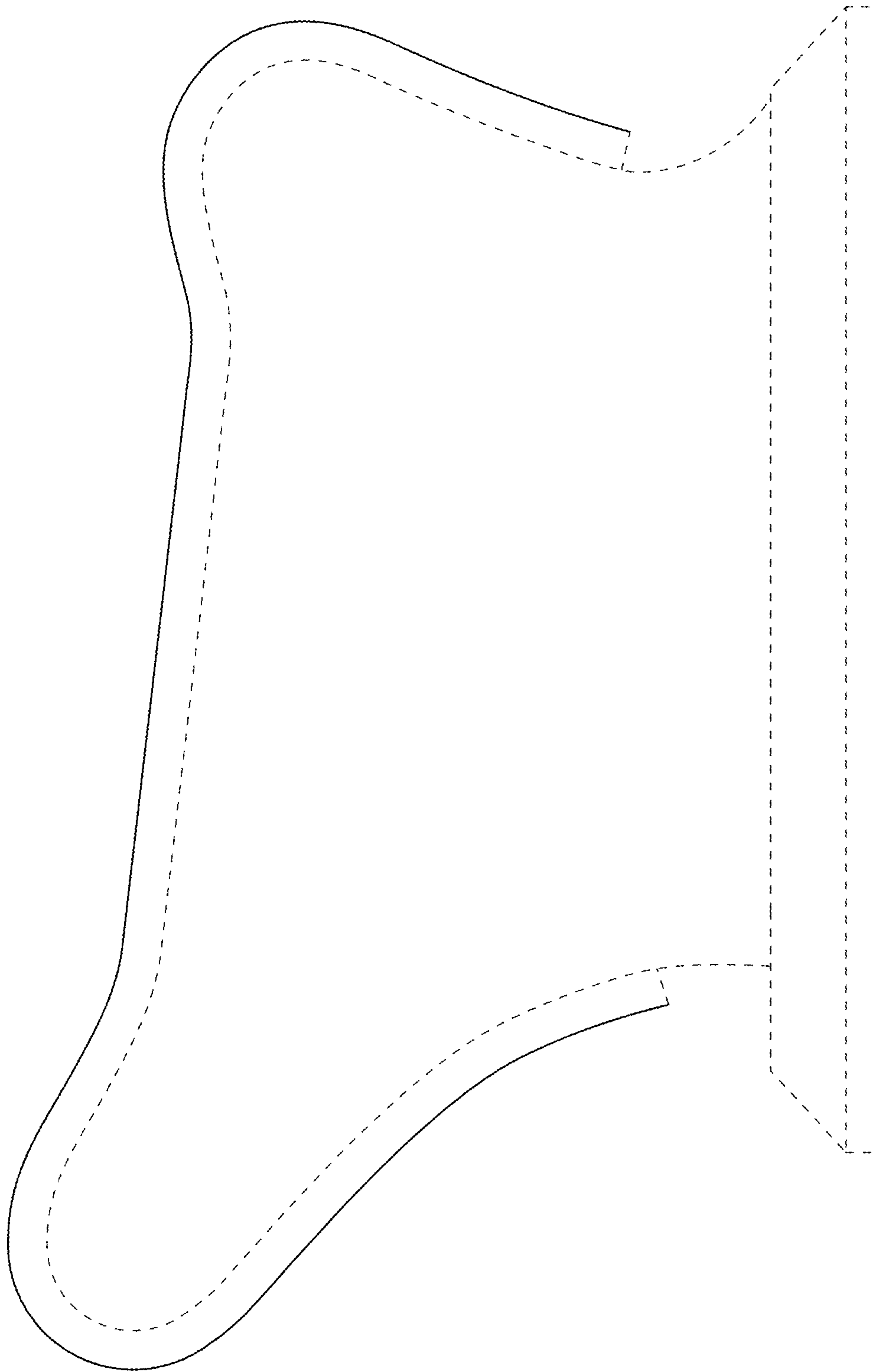


FIG. 4

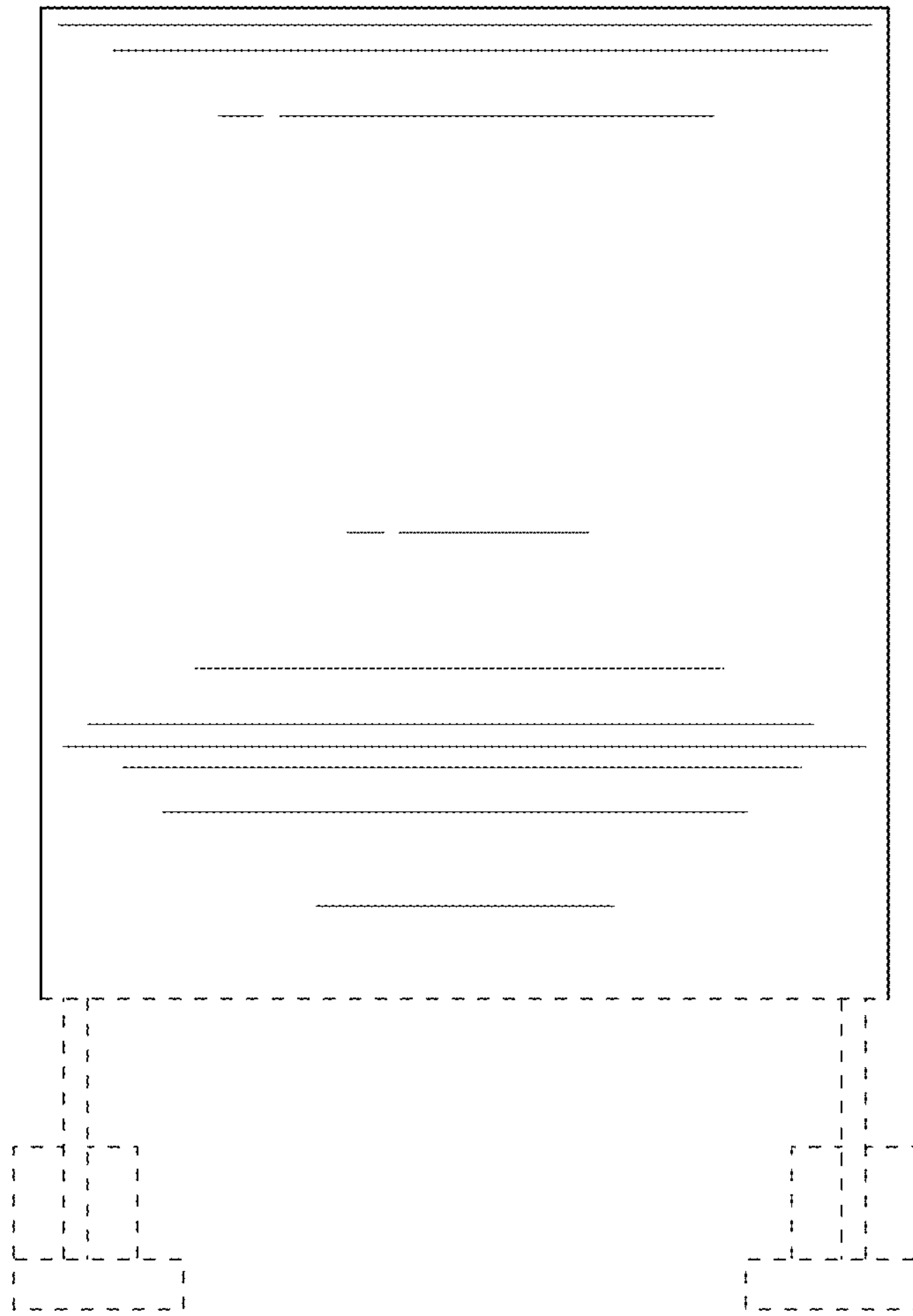


FIG. 5

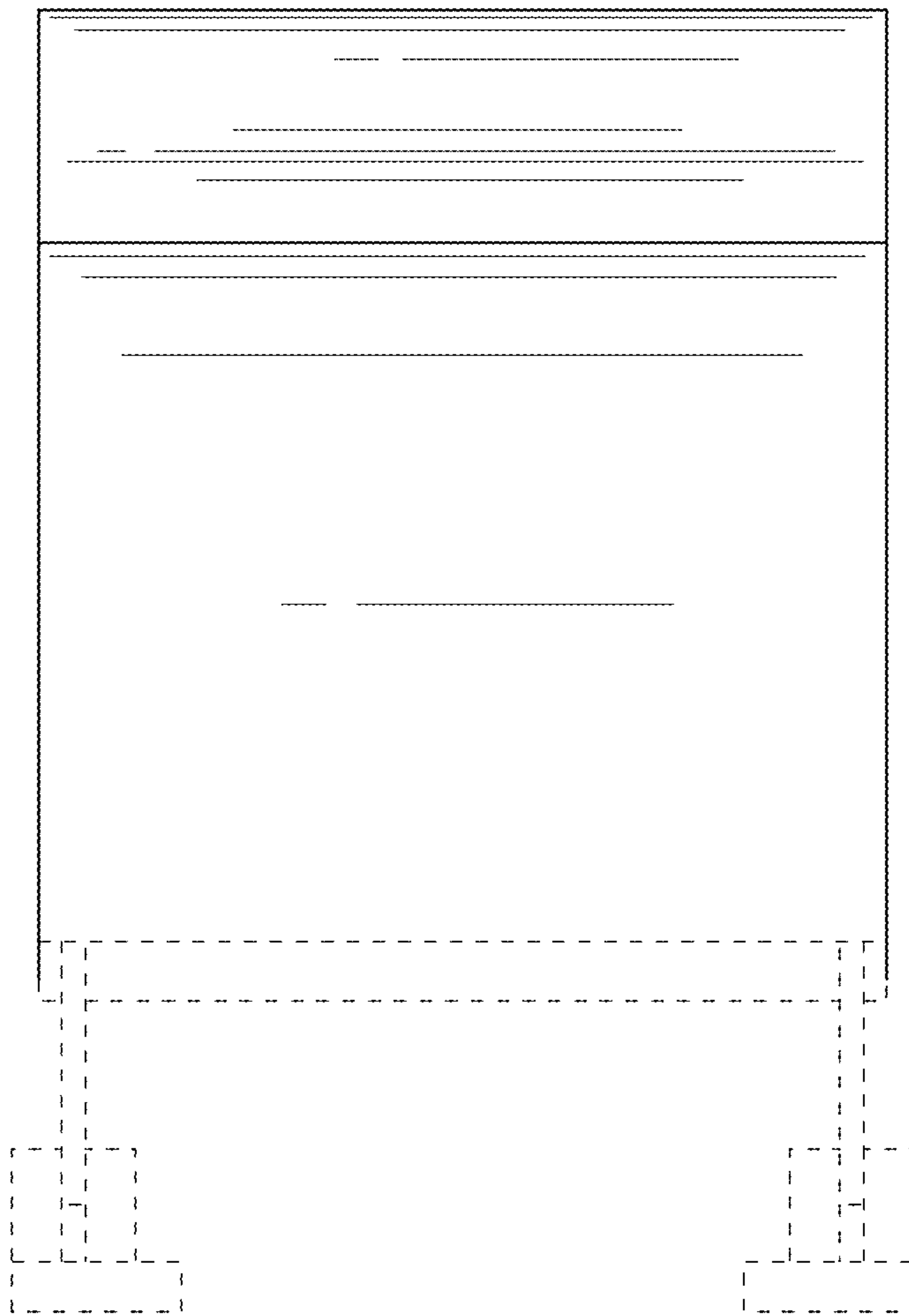


FIG. 6

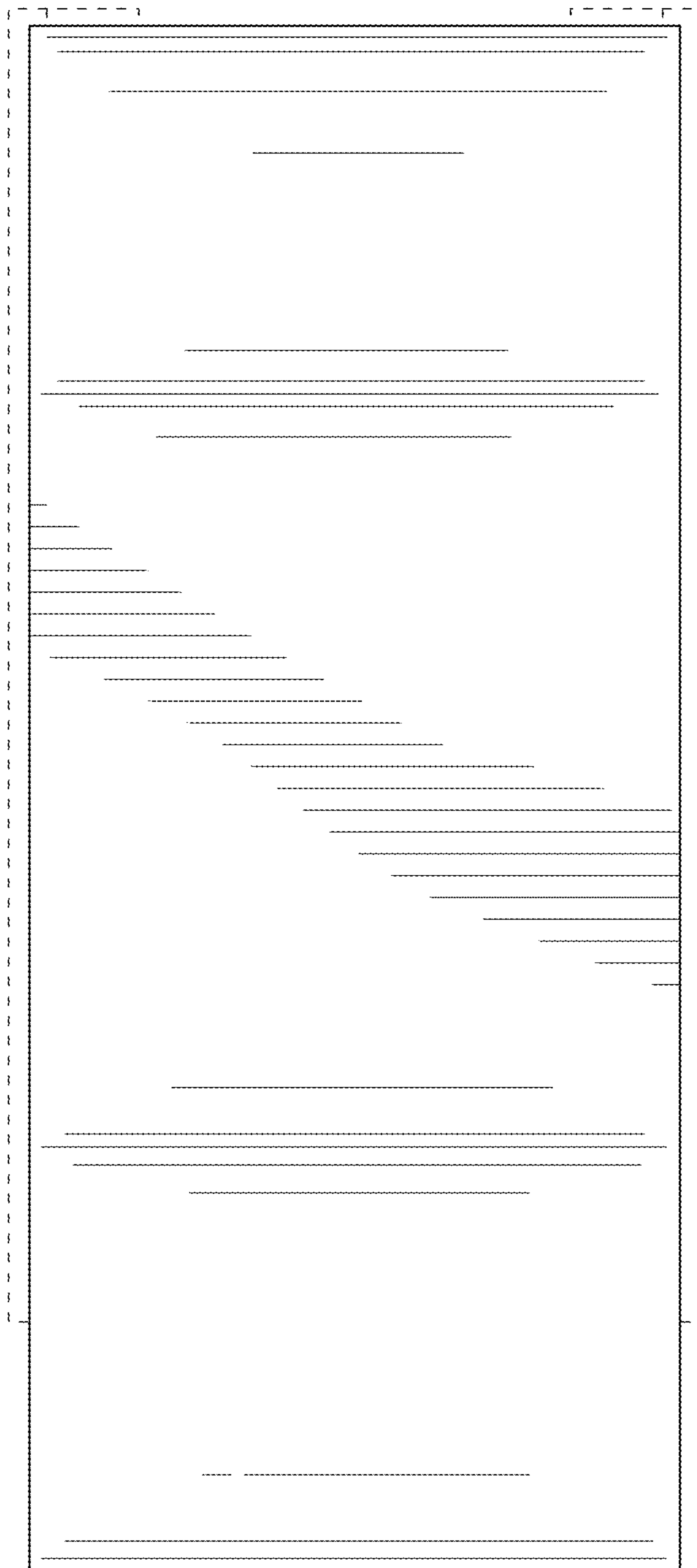


FIG. 7

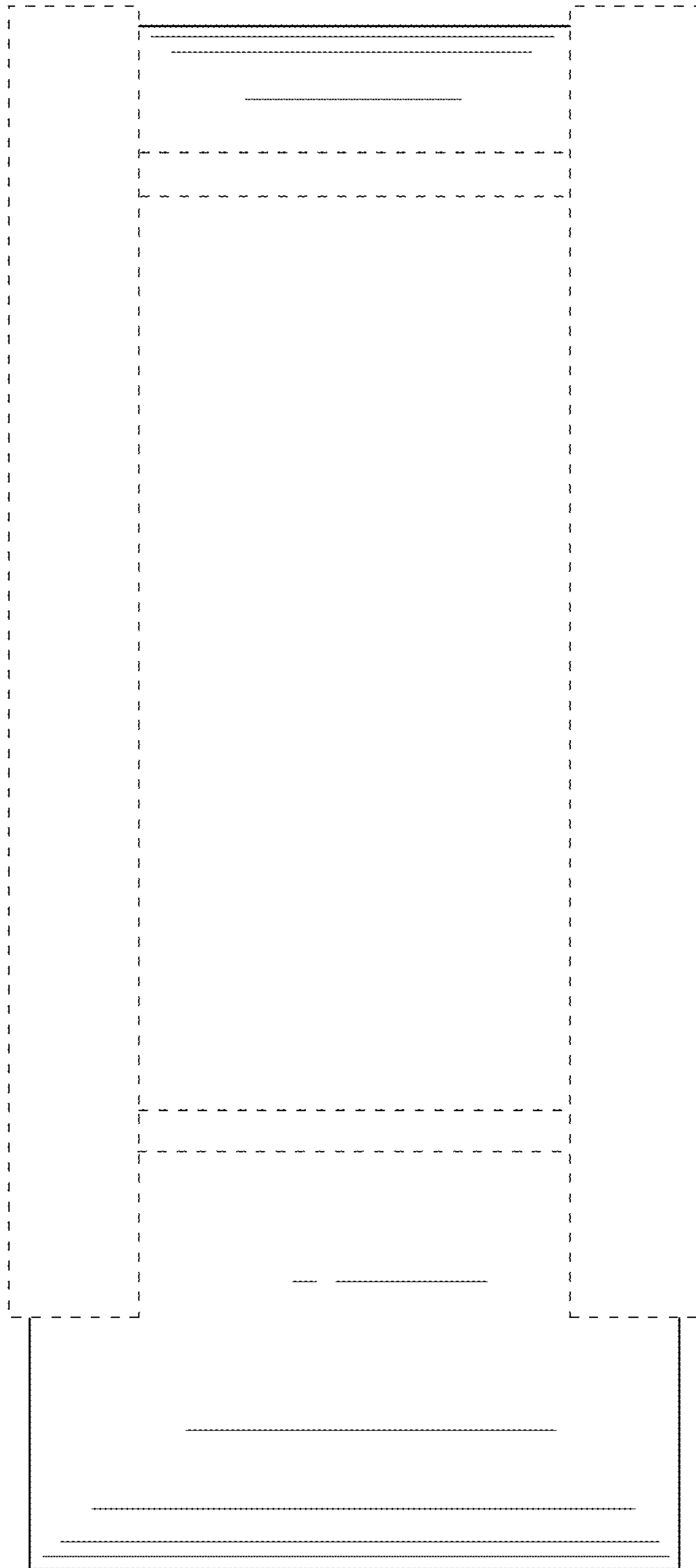


FIG. 8