



US00D804594S

(12) **United States Design Patent** (10) **Patent No.:** **US D804,594 S**
Jones (45) **Date of Patent:** **** Dec. 5, 2017**

(54) **EXERCISE ATTACHMENT FOR A BARBELL**

(71) Applicant: **Fabian Jones**, Houston, TX (US)

(72) Inventor: **Fabian Jones**, Houston, TX (US)

(**) Term: **15 Years**

(21) Appl. No.: **29/553,555**

(22) Filed: **Feb. 2, 2016**

(51) **LOC (10) Cl.** **21-02**

(52) **U.S. Cl.**
USPC **D21/694; D21/680**

(58) **Field of Classification Search**
USPC D21/662, 673, 680, 694, 697;
482/133-134
CPC A63B 1/00; A63B 21/00; A63B 21/062;
A63B 21/072; A63B 21/4029; A63B
21/1078; A63B 21/4033; A63B 22/00;
A63B 23/00; A63B 24/00; A63B 71/00;
A61F 13/00; A61G 7/1076-7/108; A61G
7/1084; A61G 7/1086; A61G 7/1088;
A61G 7/1096; A61G 7/1098
See application file for complete search history.

(56) **References Cited**

U.S. PATENT DOCUMENTS

4,135,690	A	1/1979	Clarke	
4,236,712	A	12/1980	Lambert, Jr.	
T100,605	I4	5/1981	Christian	
4,357,011	A	11/1982	Voris	
4,399,570	A *	8/1983	Tracy	A61G 7/1005 114/362
4,545,085	A *	10/1985	Feldt	A61G 7/1019 180/209
5,050,868	A	9/1991	Pearson	
5,653,667	A	8/1997	Reyes	
6,013,010	A *	1/2000	Farsaie	A63B 21/0004 482/118

6,312,365	B1	11/2001	Koenig	
D483,082	S *	12/2003	Toole	D21/662
8,152,700	B2 *	4/2012	Adams	A63B 21/154 482/94
8,196,971	B2	6/2012	Hansen	
D737,363	S *	8/2015	Russell	D16/208
D746,470	S *	12/2015	Kobayashi	D24/128
D762,790	S *	8/2016	Smyth	D21/694
9,526,938	B2 *	12/2016	Chen	A63B 21/062
2003/0064868	A1 *	4/2003	Ish, III	A63B 21/154 482/99
2006/0135323	A1	6/2006	Sjobakk et al.	
2006/0205573	A1 *	9/2006	Savage	A63B 71/0036 482/104
2006/0252615	A1	11/2006	Melcer	

(Continued)

Primary Examiner — Caron D Veynar
Assistant Examiner — Mehri Bajoul
(74) *Attorney, Agent, or Firm* — Quickpatents, LLC;
Kevin Prince

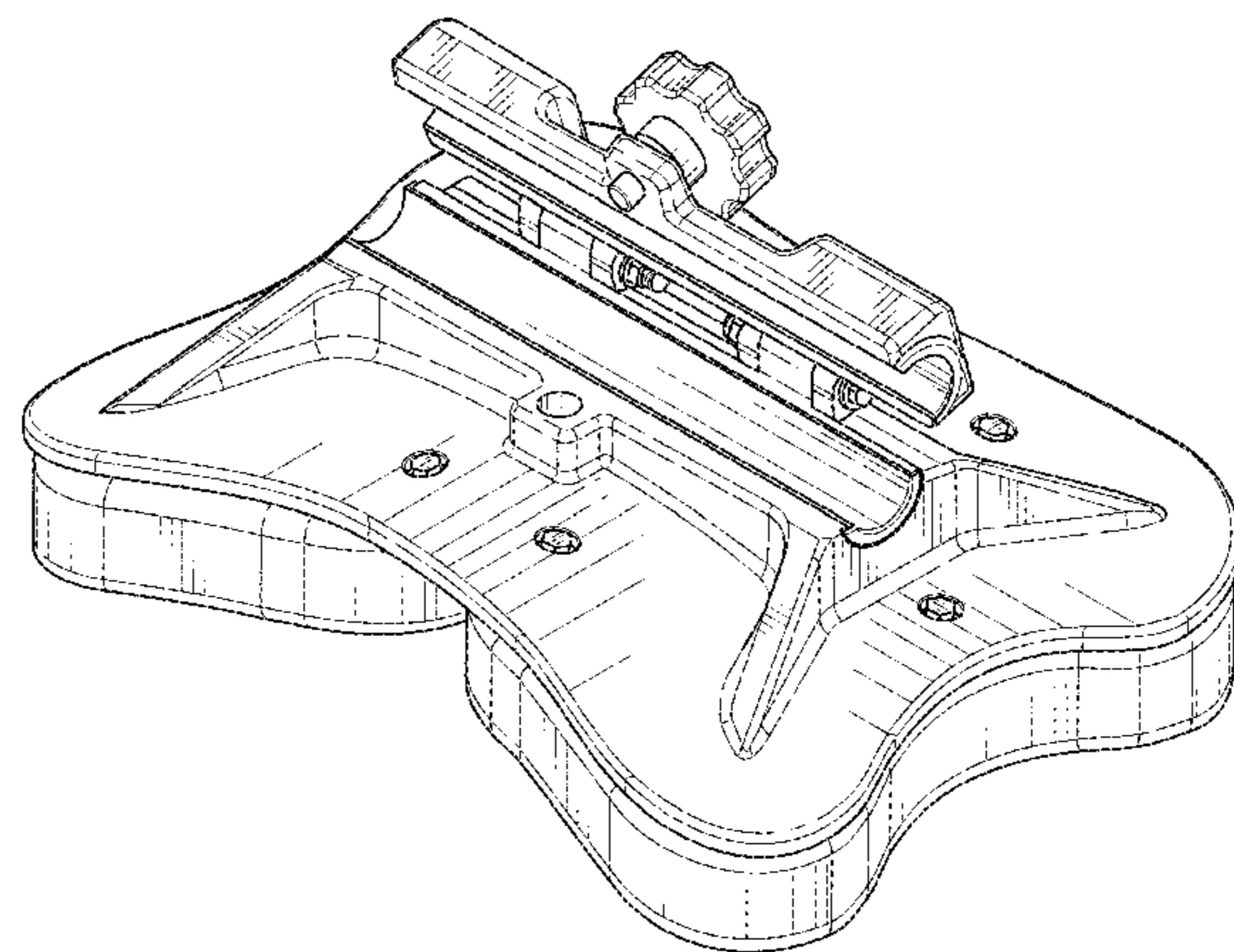
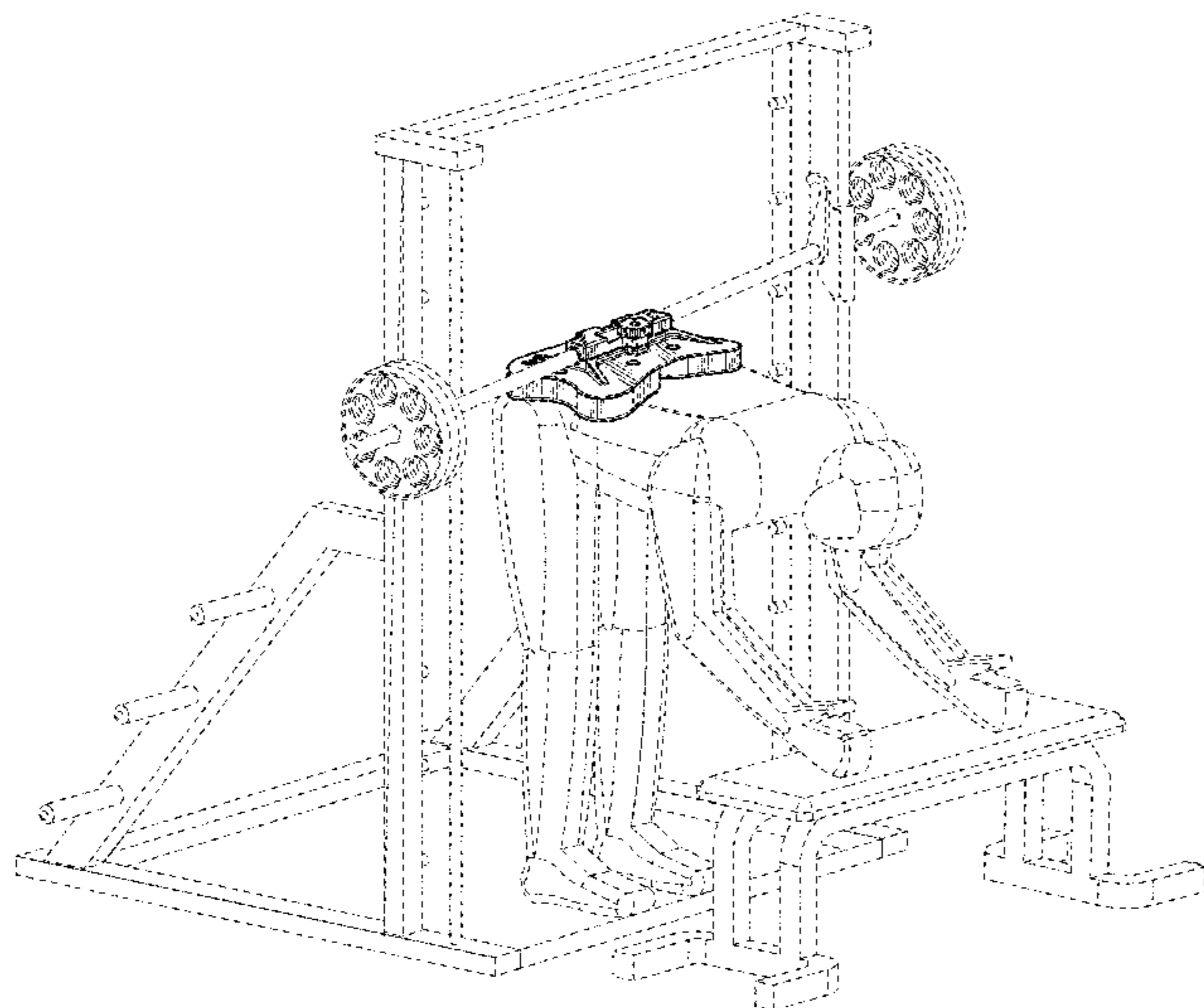
(57) **CLAIM**

The ornamental design for an exercise attachment for a barbell.

DESCRIPTION

FIG. 1 is a perspective view of an exercise attachment for a barbell, showing my new design in a closed position; FIG. 2 is an enlarged perspective view thereof, illustrated in an open position; FIG. 3 is an enlarged front elevational view thereof, illustrated in the closed position; FIG. 4 is a rear elevational view of FIG. 3; FIG. 5 is a left-side elevational view of FIG. 3, the right-side elevational view being a mirror image thereof; FIG. 6 is a top plan view of FIG. 3; and, FIG. 7 is a bottom plan view of FIG. 3. The evenly spaced broken lines depict environmental structure that forms no part of the claimed design.

1 Claim, 4 Drawing Sheets



(56)

References Cited

U.S. PATENT DOCUMENTS

2007/0225132 A1* 9/2007 Liu A63B 21/0728
482/106
2007/0287608 A1* 12/2007 Hallar A63B 21/06
482/104
2009/0105052 A1* 4/2009 Dalebout A63B 21/06
482/133
2010/0273616 A1* 10/2010 Schneider A63B 22/0002
482/133
2013/0184128 A1* 7/2013 Towley, III A63B 21/0628
482/102
2016/0213967 A1* 7/2016 Habing A63B 21/062
2016/0228743 A1* 8/2016 Sorbel A63B 21/4019
2016/0236028 A1* 8/2016 Thomas A63B 21/078
2016/0346154 A1* 12/2016 Yu A61H 1/0229

* cited by examiner

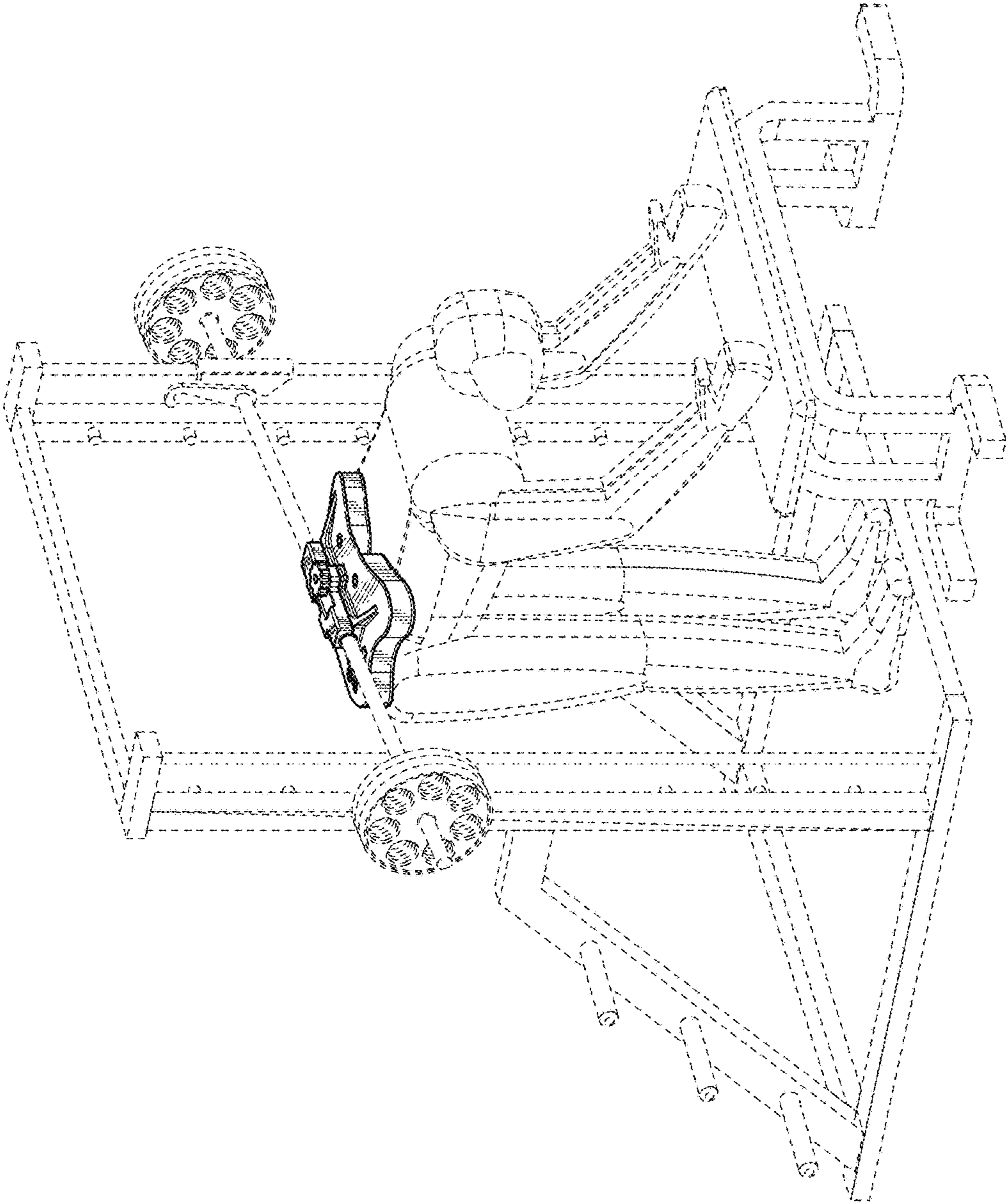


FIG. 1

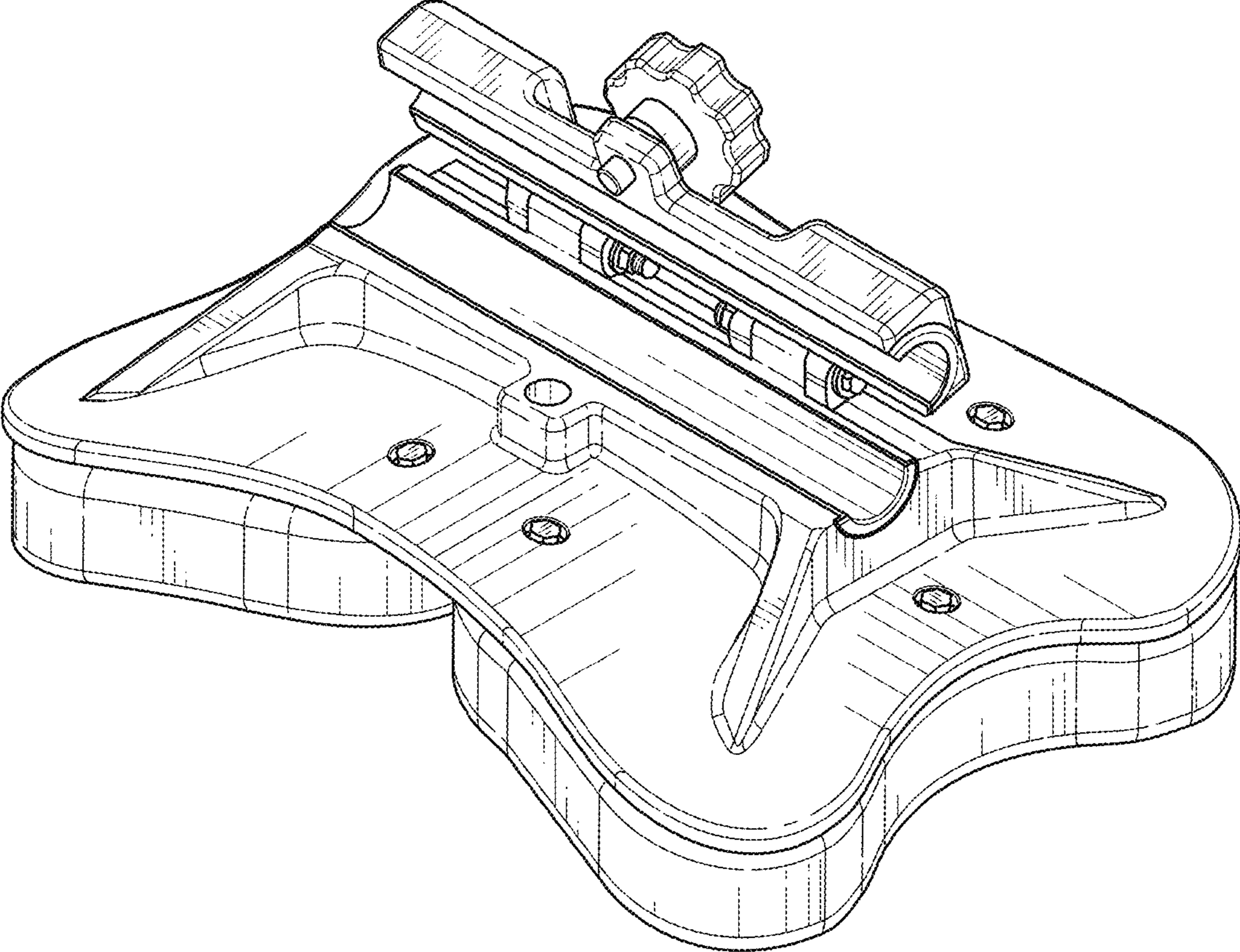


FIG. 2

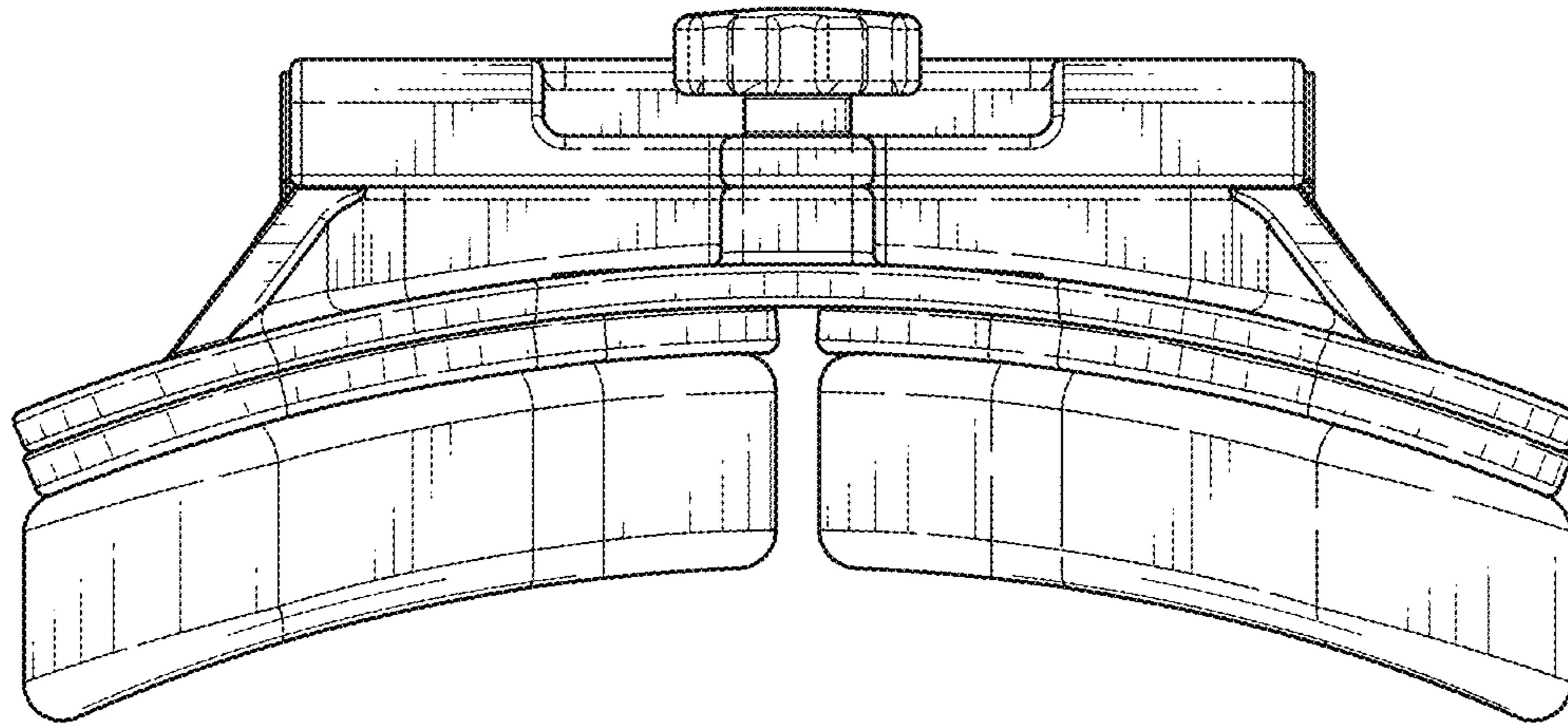


FIG. 3

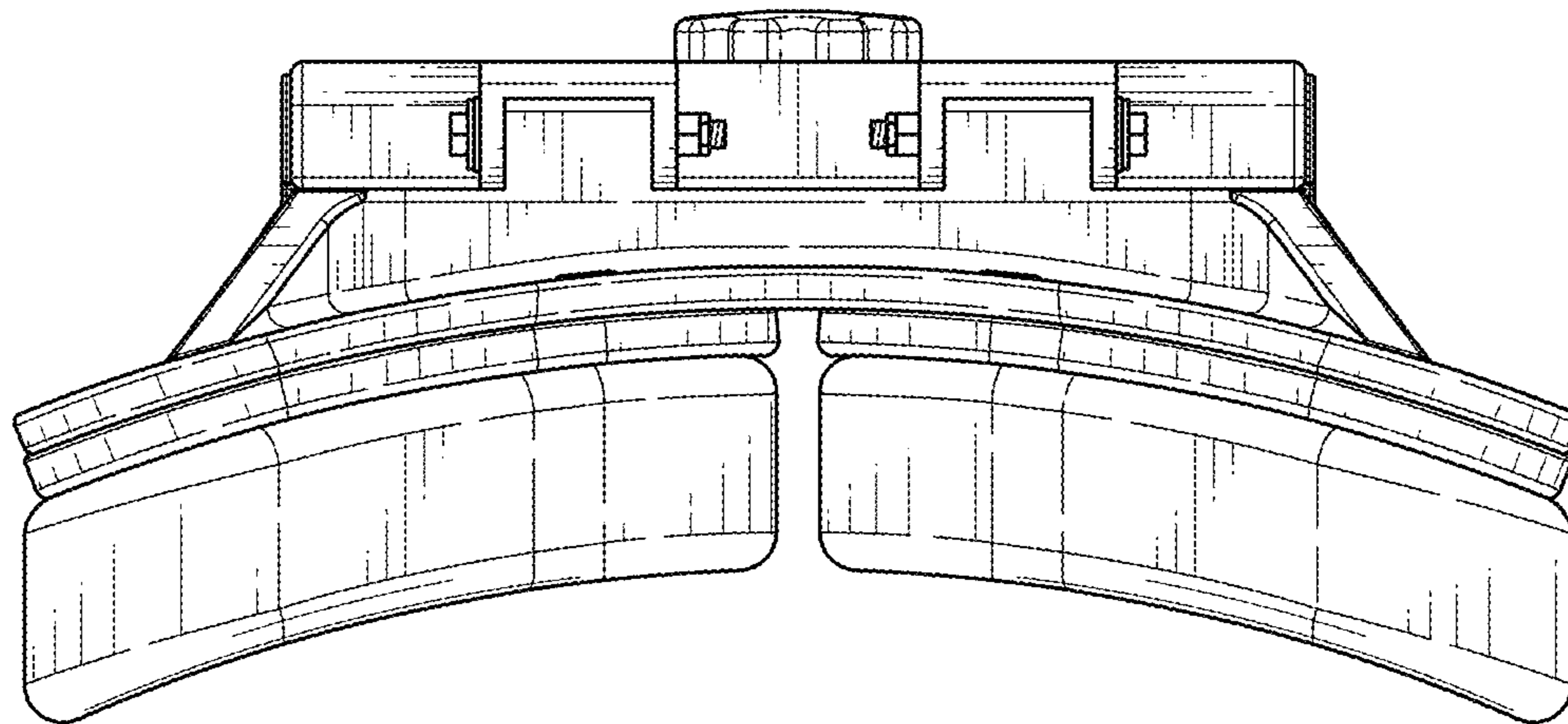


FIG. 4

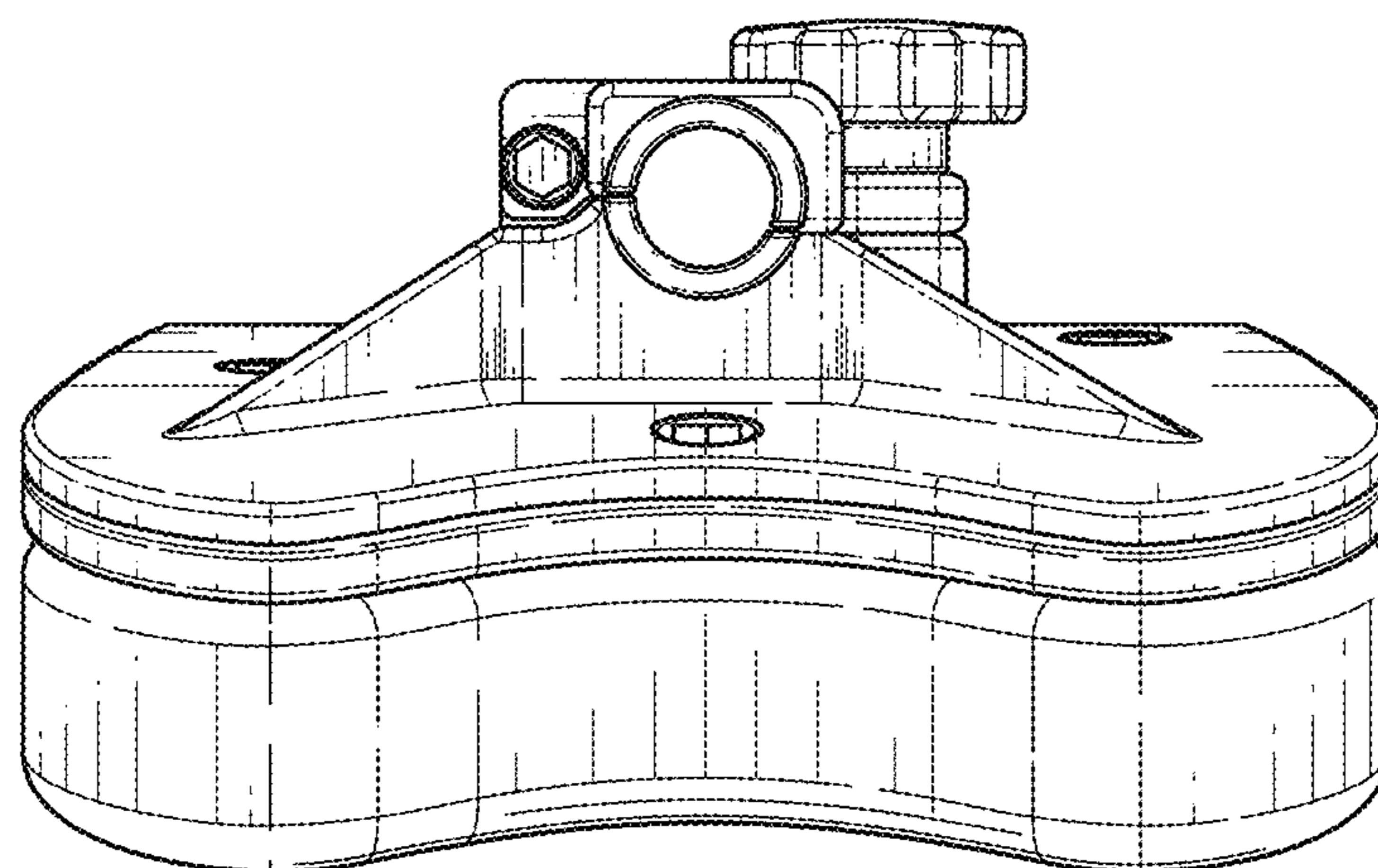


FIG. 5

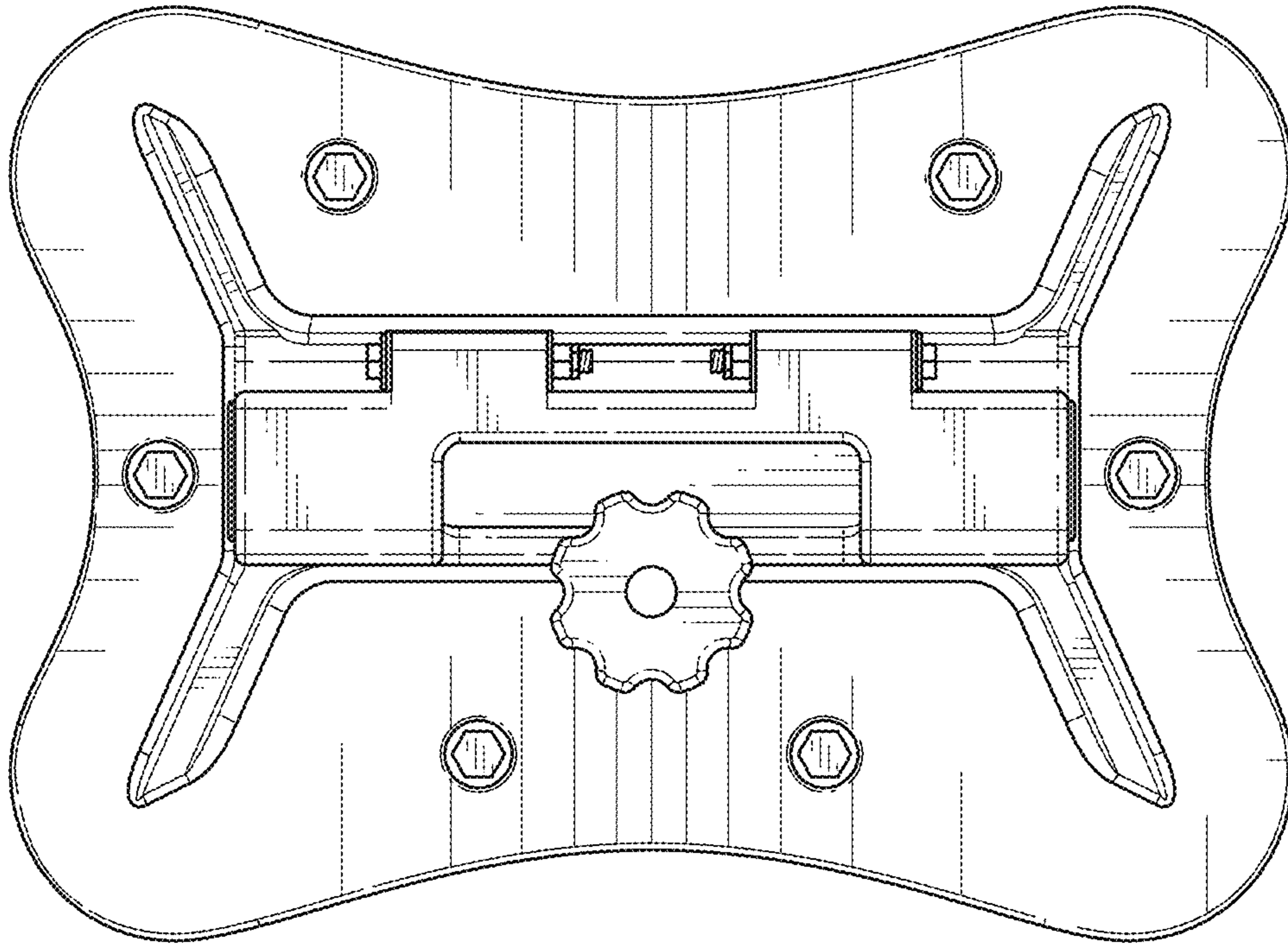


FIG. 6

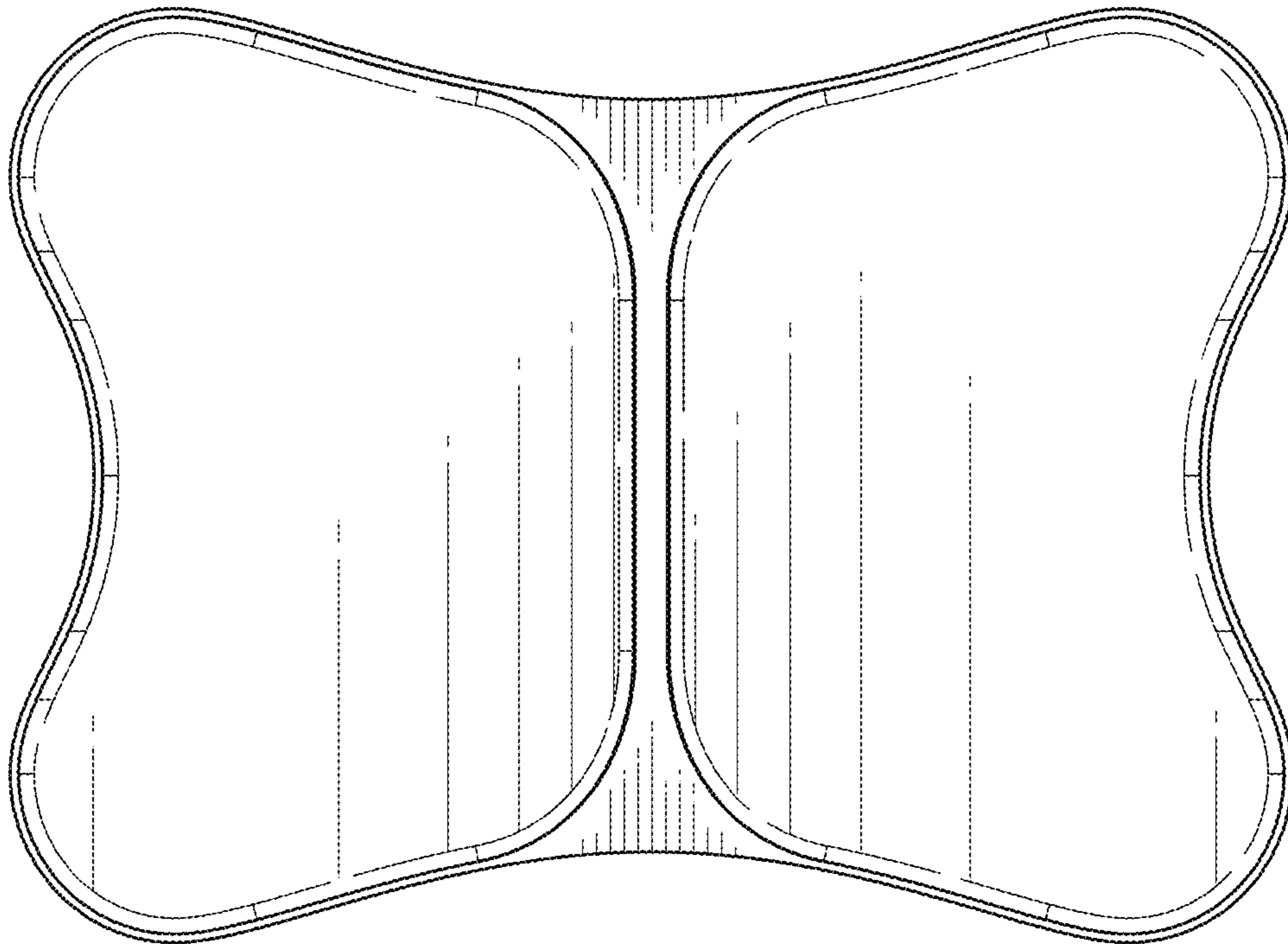


FIG. 7