



US00D804593S

(12) **United States Design Patent** (10) **Patent No.:** **US D804,593 S**
Leier (45) **Date of Patent:** **** Dec. 5, 2017**

(54) **SUPPORTING STAND FOR DUMBBELLS**

D362,776 S * 10/1995 Thorn D6/552
D563,135 S * 3/2008 Lien D6/552
D634,145 S * 3/2011 Lai D6/552
D789,163 S * 6/2017 Nemoto D7/701

(71) Applicant: **Expectations, LLC**, Puyallup (TW)

(72) Inventor: **Christopher Henry Leier**, Puyallup, WA (US)

* cited by examiner

(73) Assignee: **Expectations, LLC**, Puyallup, WA (US)

Primary Examiner — Robert M Spear

Assistant Examiner — Ryan Harvey

(**) Term: **15 Years**

(74) *Attorney, Agent, or Firm* — Charles E. Baxley

(21) Appl. No.: **29/560,487**

(57) **CLAIM**

(22) Filed: **Apr. 7, 2016**

The ornamental design for a supporting stand for dumbbells, as shown and described.

(51) **LOC (10) Cl.** **21-02**

(52) **U.S. Cl.**
USPC **D21/686**

(58) **Field of Classification Search**
USPC 482/142, 104, 133, 908, 98, 135, 94, 62, 482/141, 137, 101, 106, 107, 108; D21/690, 676, 673, 694, 691, 686, 552, D21/684; D6/552, 682.4; D7/701
CPC A63B 21/4029; A63B 21/078; A63B 21/4031; A63B 21/00047; A63B 23/0211; A63B 2208/0252; A63B 21/0783
See application file for complete search history.

DESCRIPTION

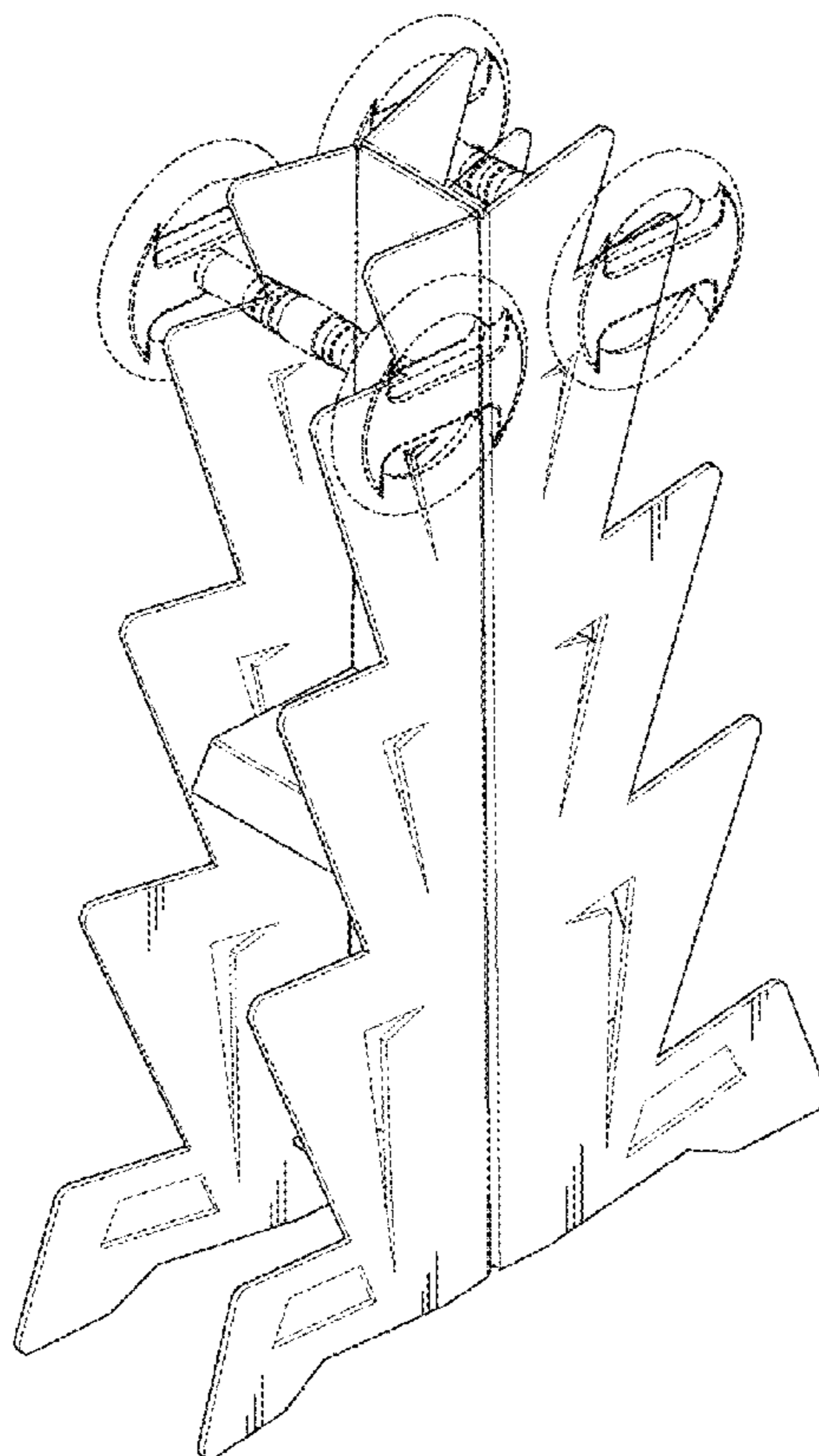
FIG. 1 is a perspective view of a supporting stand for dumbbells showing my new design; FIG. 2 is a front elevational view thereof; FIG. 3 is a rear elevational view thereof; FIG. 4 is a top plan view thereof; FIG. 5 is a bottom plan view thereof; FIG. 6 is a left side elevational view thereof; FIG. 7 is a right side elevational view thereof; and, FIG. 8 is a perspective view thereof. The broken lines illustrate a dumbbell which forms no part of the claimed design.

(56) **References Cited**

U.S. PATENT DOCUMENTS

D295,809 S * 5/1988 Green D6/552
D329,563 S * 9/1992 Rasmussen D6/552

1 Claim, 6 Drawing Sheets



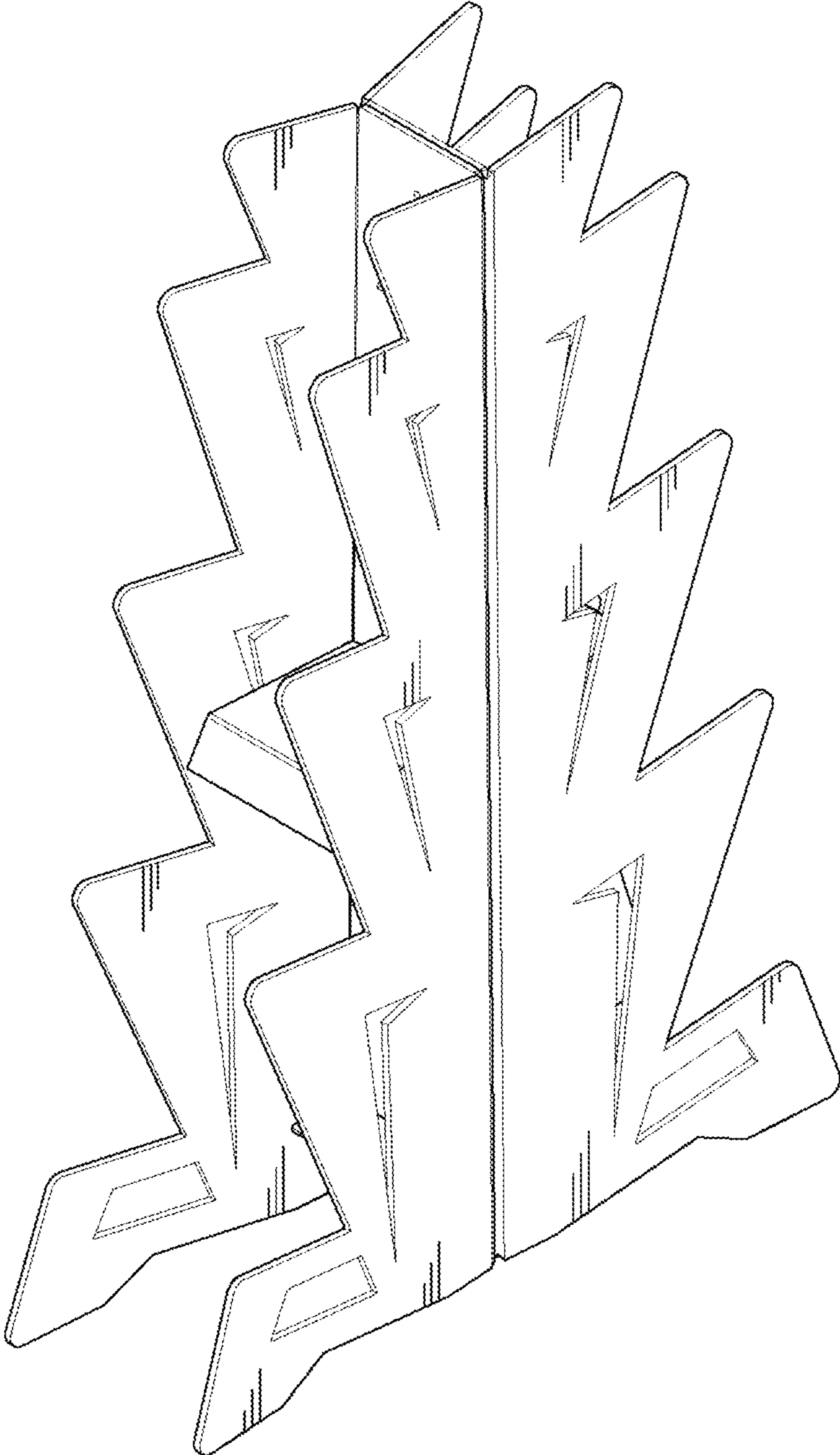


FIG. 1

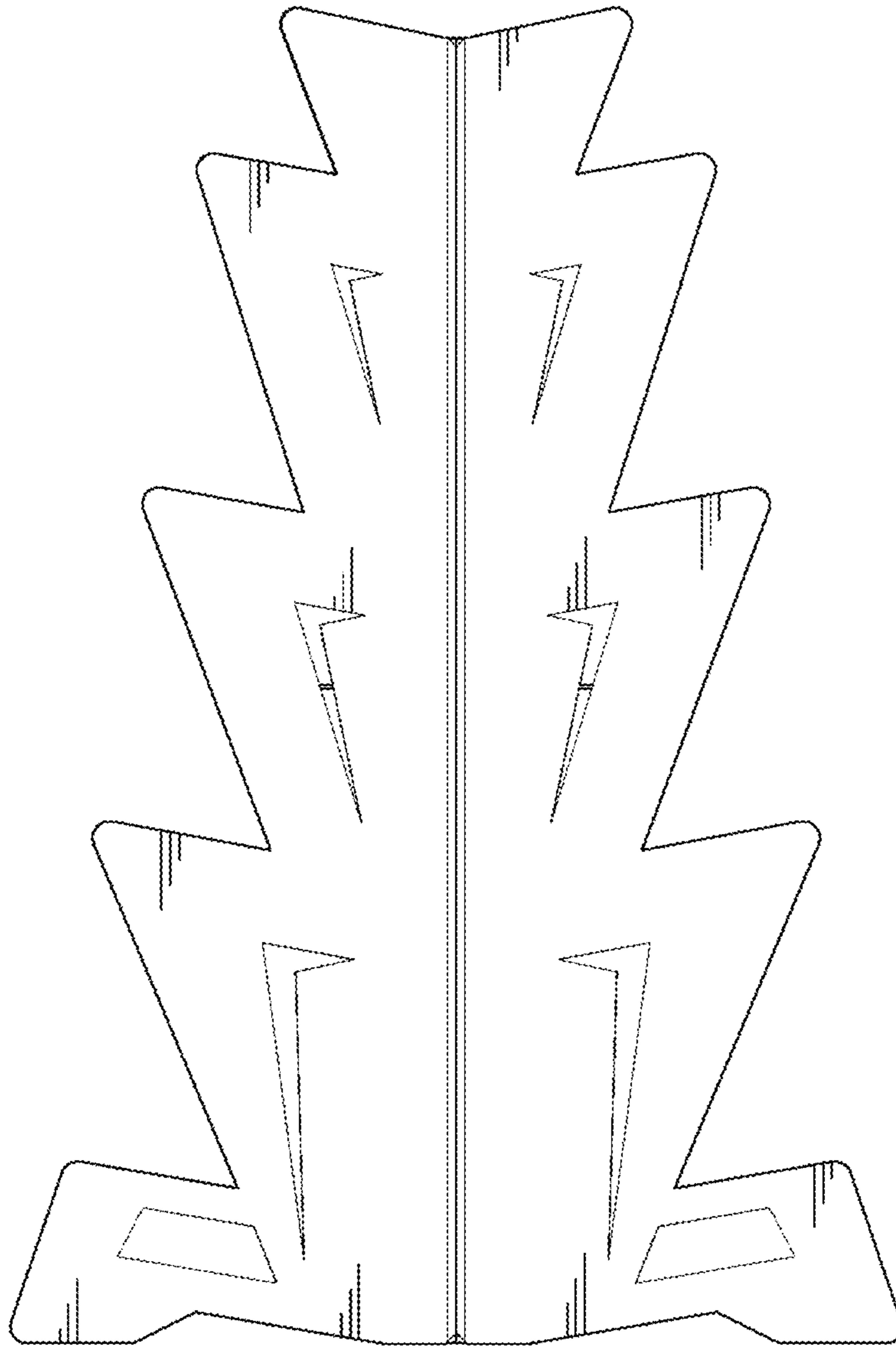


FIG. 2

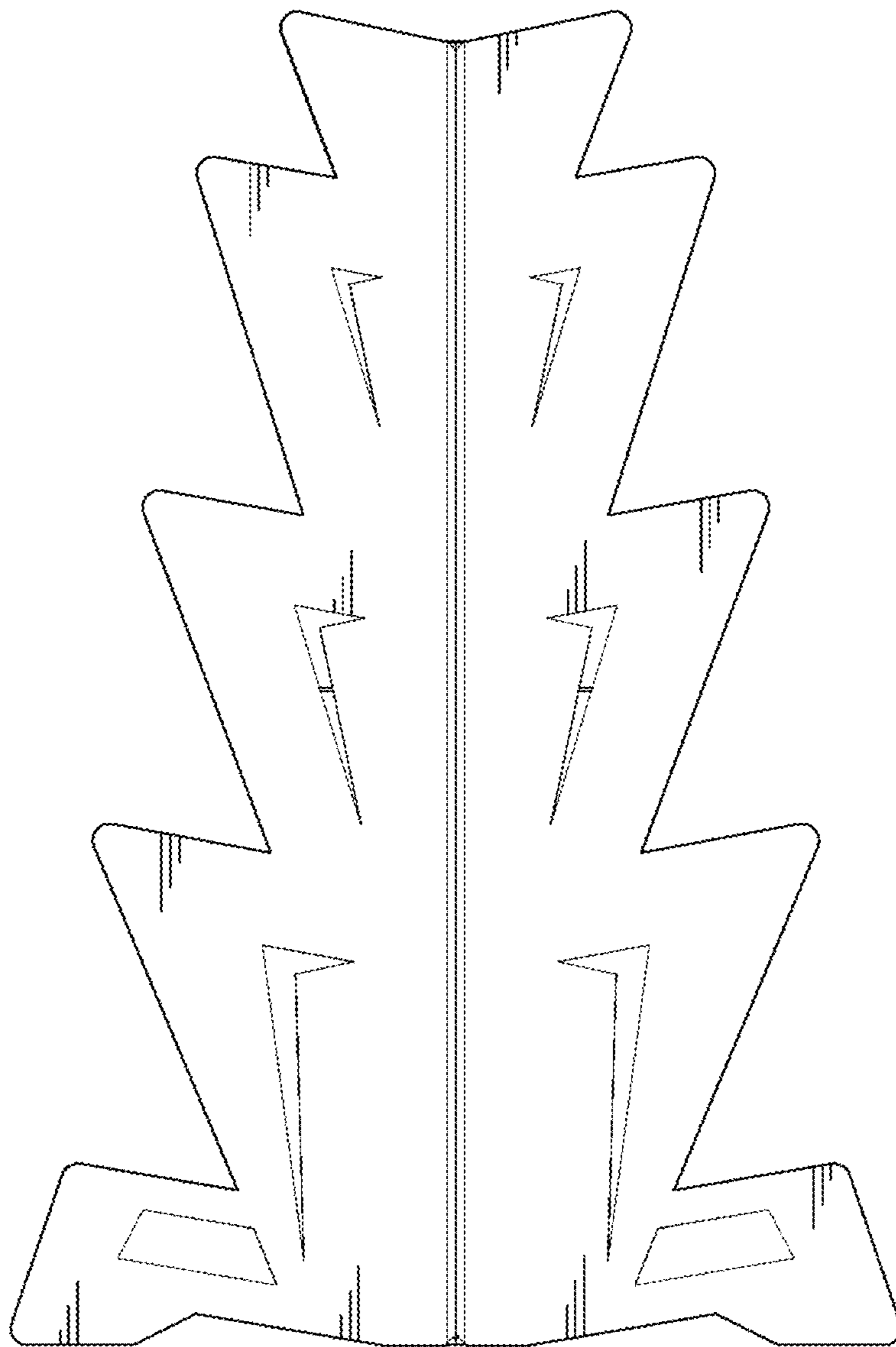


FIG. 3

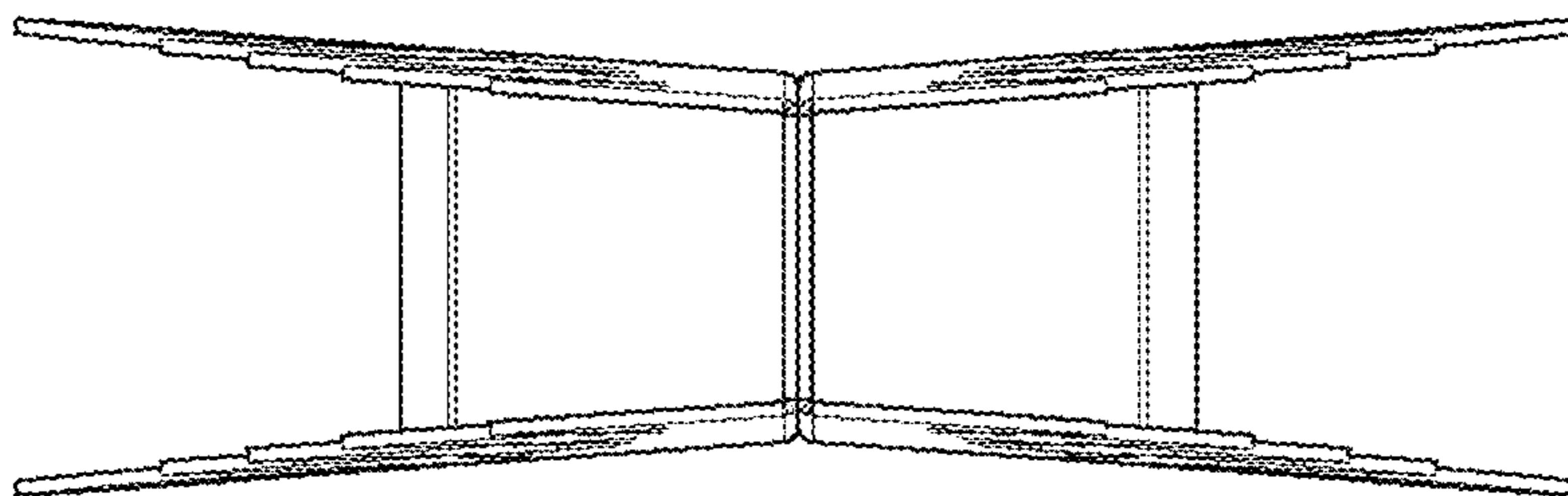


FIG. 4

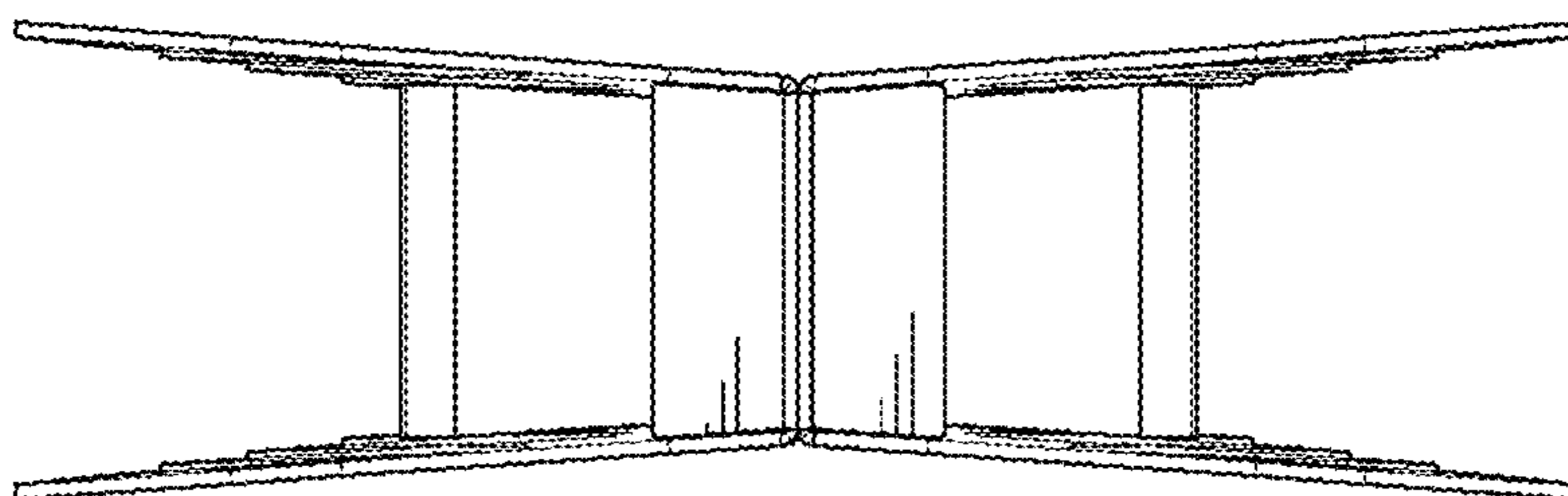


FIG. 5

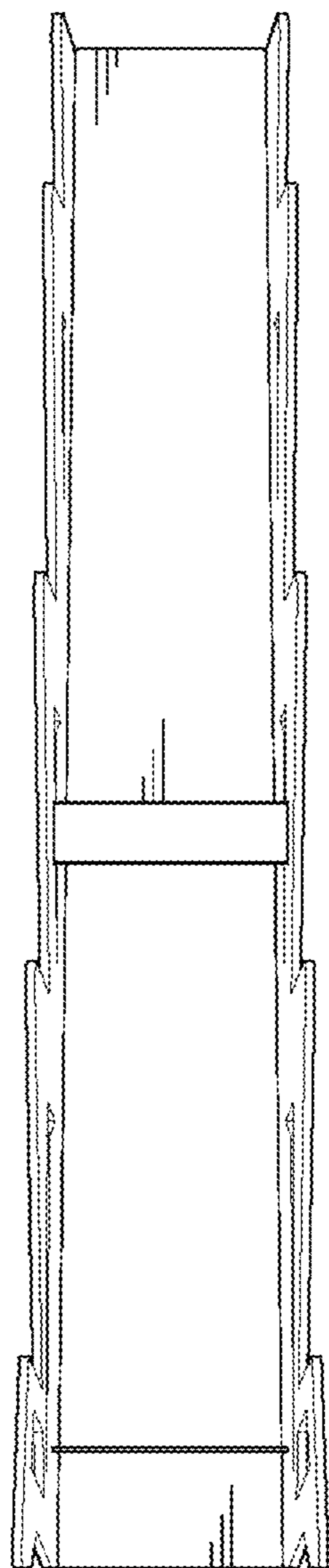


FIG. 6

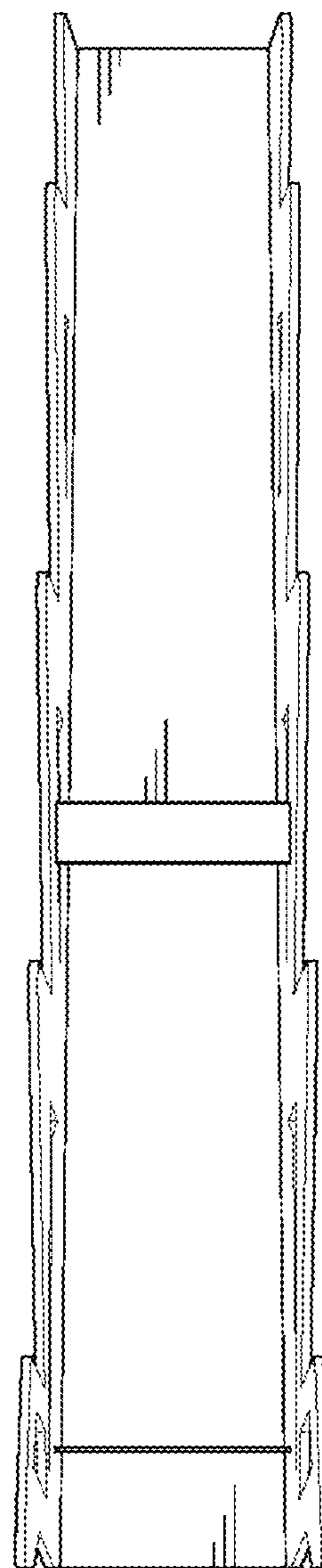


FIG. 7

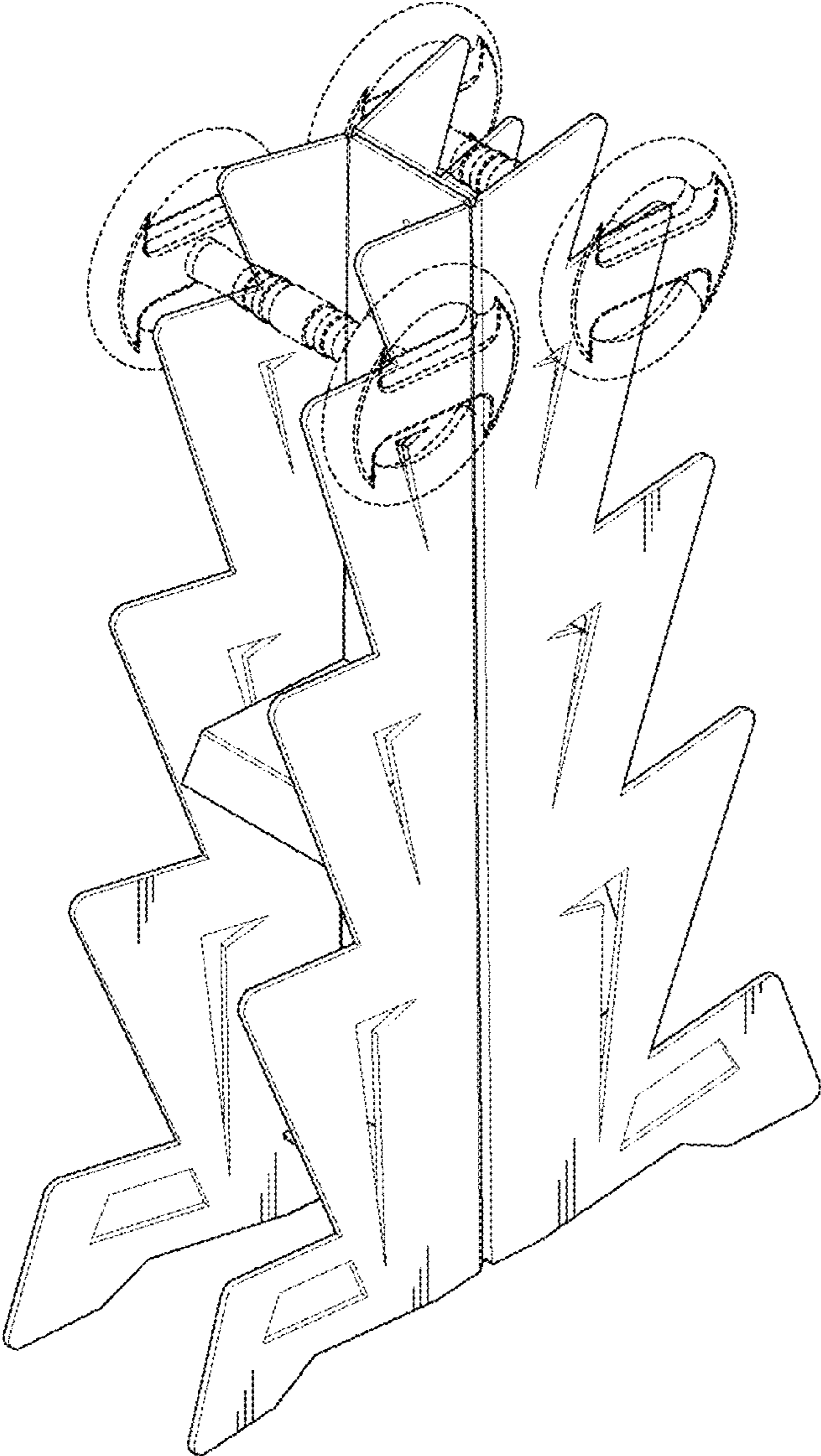


FIG. 8