



US00D804592S

(12) **United States Design Patent** (10) **Patent No.:** **US D804,592 S**
Wittmack et al. (45) **Date of Patent:** **** Dec. 5, 2017**

(54) **ADJUSTABLE KETTLEBELL** 5,425,690 A * 6/1995 Chang A63B 23/14
 482/121
 (71) Applicants: **Max Wittmack**, San Diego, CA (US); 5,454,769 A * 10/1995 Chen A63B 21/05
James Wittmack, San Diego, CA (US) 482/124
 (72) Inventors: **Max Wittmack**, San Diego, CA (US); D366,300 S * 1/1996 Veliucci D21/684
James Wittmack, San Diego, CA (US) 5,573,484 A * 11/1996 Carpenter A63B 21/00181
 482/108
 (**) Term: **15 Years** D398,675 S * 9/1998 Marney D21/681
 D398,676 S * 9/1998 Marney D21/681
 6,001,049 A * 12/1999 Frey A63B 21/0603
 482/105
 (21) Appl. No.: **29/570,232** 6,569,066 B1 * 5/2003 Patterson A63B 21/0552
 482/106

(Continued)

(22) Filed: **Jul. 6, 2016**
 (51) **LOC (10) Cl.** **21-02**
 (52) **U.S. Cl.**
 USPC **D21/681**
 (58) **Field of Classification Search**
 USPC D21/680, 682, 681, 678, 662, 679, 684,
 D21/686, 801, 694, 691, 692; 173/102,
 173/103, 118, 126, 133; 482/108, 93,
 482/110, 111, 105, 8, 107, 106, 139, 94,
 482/104, 140, 109, 51, 70, 74, 98, 1, 121,
 482/55, 141, 124, 128; D9/680, 629,
 D9/456, 668; D8/85, 45, 107, 90, 317,
 D8/387, 397, 343, 31, 75, 14; D11/81,
 D11/91, 56, 80, 7, 52, 14, 201; D12/215
 CPC A63B 21/075; A63B 21/0728; A63B
 21/00065; A63B 21/0726; A63B 23/1236;
 A63B 21/4035; A63B 21/072; A63B
 21/0047; A63B 21/068
 See application file for complete search history.

Primary Examiner — Robert M Spear
Assistant Examiner — Ryan Harvey
 (74) *Attorney, Agent, or Firm* — Gary L. Eastman, Esq.;
 Eastman & McCartney LLP

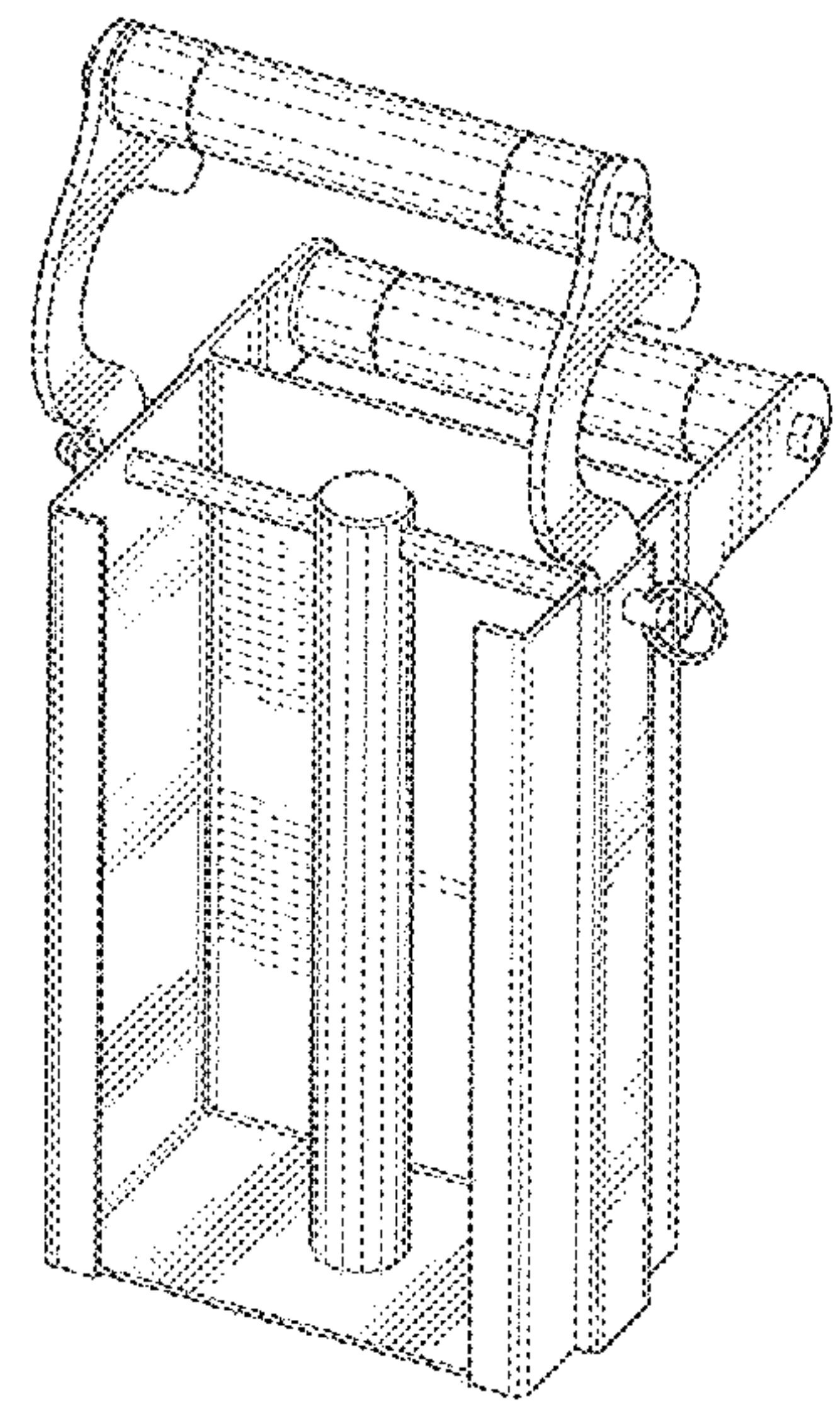
(57) **CLAIM**
 The ornamental design for an adjustable kettlebell, as shown
 and described.

DESCRIPTION

FIG. 1 is a front upper perspective view of the adjustable
 kettlebell;
 FIG. 2 is a back lower perspective view of the adjustable
 kettlebell;
 FIG. 3 is a front upper perspective view of the adjustable
 kettlebell with the hook arm partially extended;
 FIG. 4 is a front upper perspective view of the adjustable
 kettlebell with the hook arm fully extended;
 FIG. 5 is a back view of the adjustable kettlebell;
 FIG. 6 is a front view of the adjustable kettlebell;
 FIG. 7 is a right side view of the adjustable kettlebell;
 FIG. 8 is a left side view of the adjustable kettlebell;
 FIG. 9 is a top view of the adjustable kettlebell;
 FIG. 10 is a bottom view of the adjustable kettlebell; and,
 FIG. 11 is a front upper perspective of the adjustable
 kettlebell with the hook arm reversed.

1 Claim, 10 Drawing Sheets

(56) **References Cited**
 U.S. PATENT DOCUMENTS
 4,039,183 A * 8/1977 Sakurada A63B 23/14
 482/127
 5,110,119 A * 5/1992 Arnold A63B 21/4017
 482/108
 5,299,999 A * 4/1994 Brine A63B 21/065
 221/210



(56)

References Cited

U.S. PATENT DOCUMENTS

7,303,507 B1 * 12/2007 Jozsa A63B 21/072
482/109
D653,715 S * 2/2012 Tumminia D21/662
8,858,406 B2 * 10/2014 Klukas A63B 15/00
482/108
D744,051 S * 11/2015 Anderson D21/682
D752,159 S * 3/2016 Anderson D21/682
9,504,866 B2 * 11/2016 Peralo A63B 21/4035
2004/0063553 A1 * 4/2004 Viscount A63B 21/065
482/107
2011/0028285 A1 * 2/2011 Towley, III A63B 21/0728
482/108
2014/0024506 A1 * 1/2014 Vixathep A63B 21/0726
482/108
2014/0274598 A1 * 9/2014 Anderson A63B 21/0728
482/108

* cited by examiner

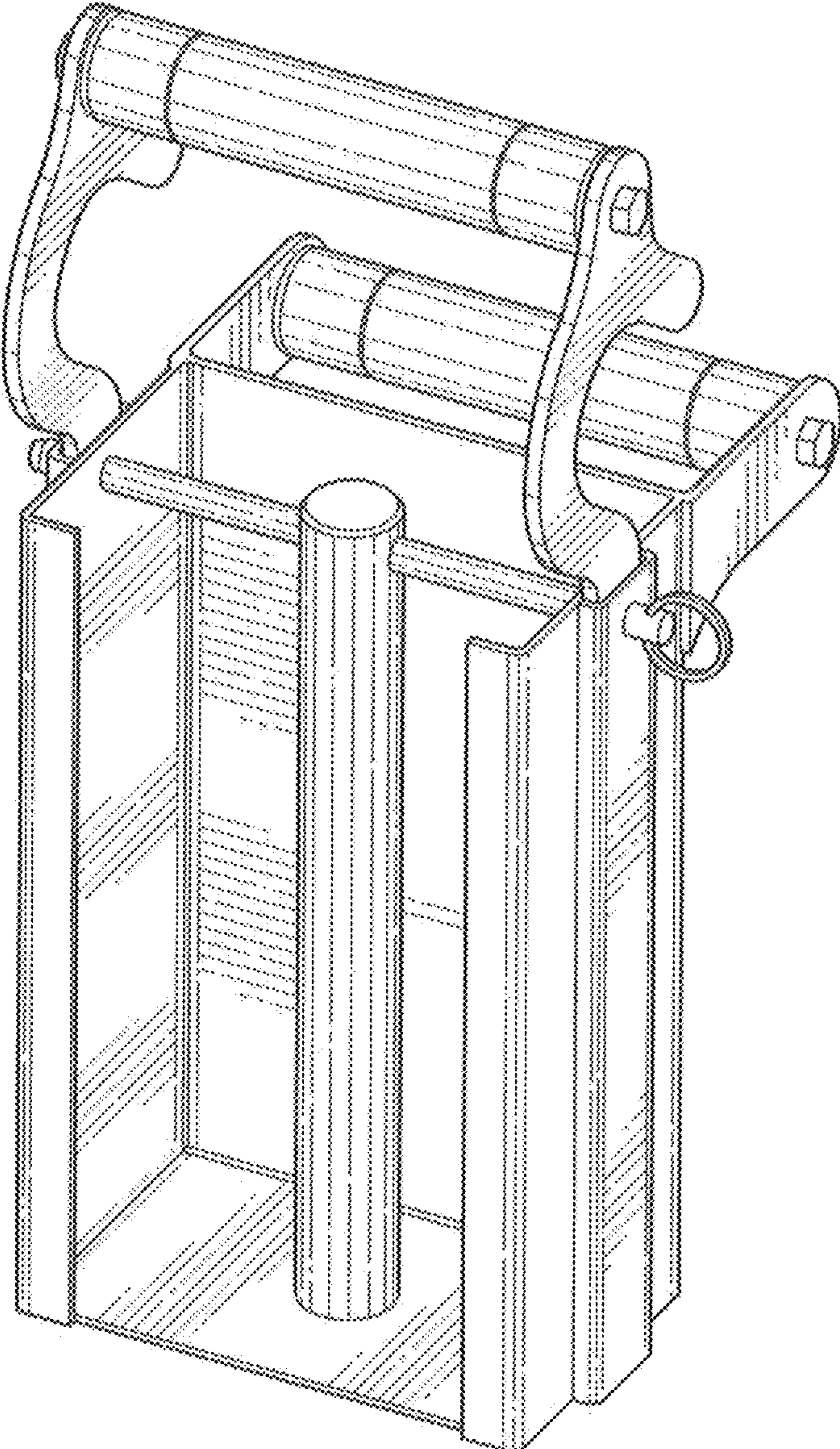


FIG. 1

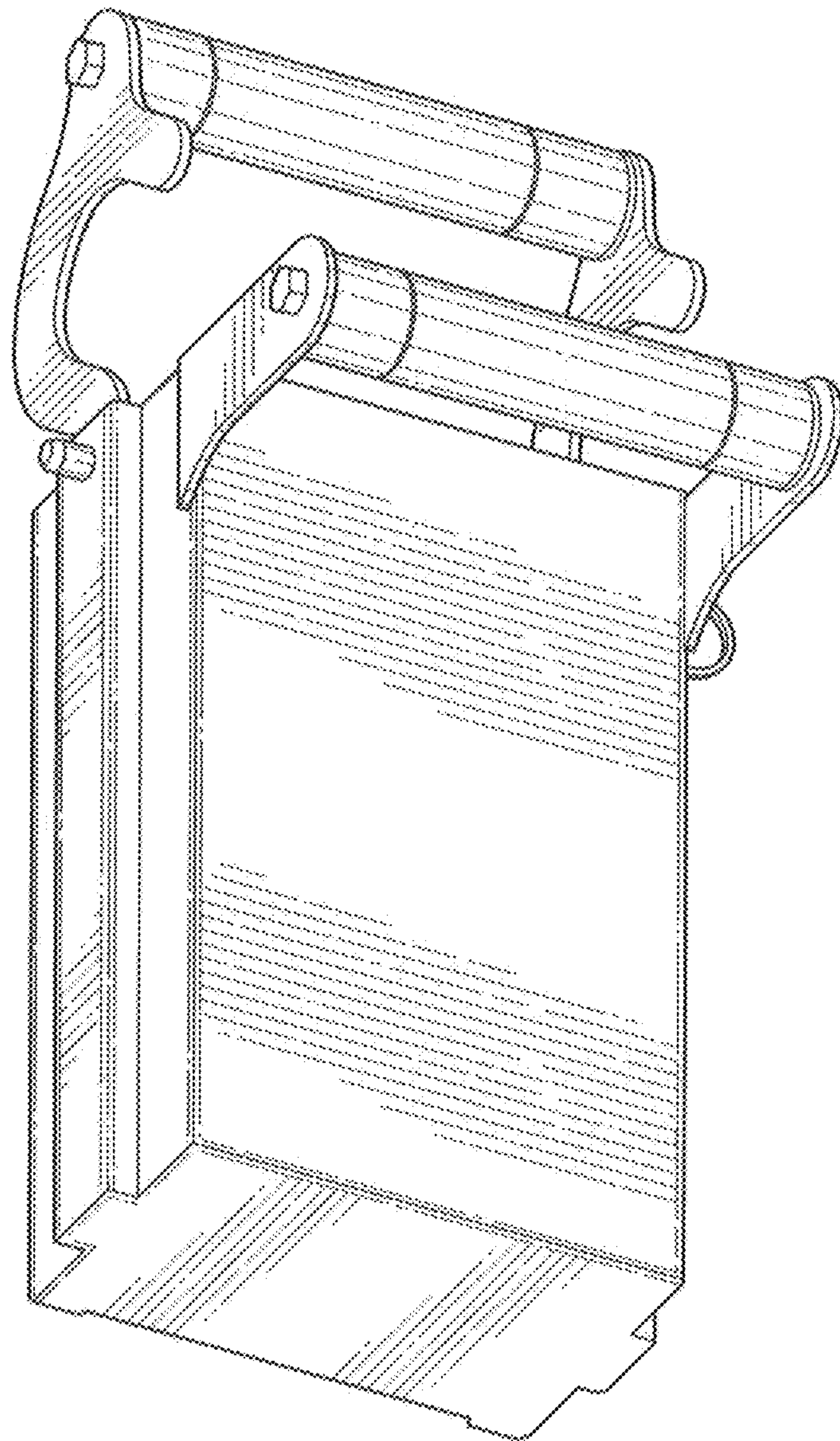


FIG. 2

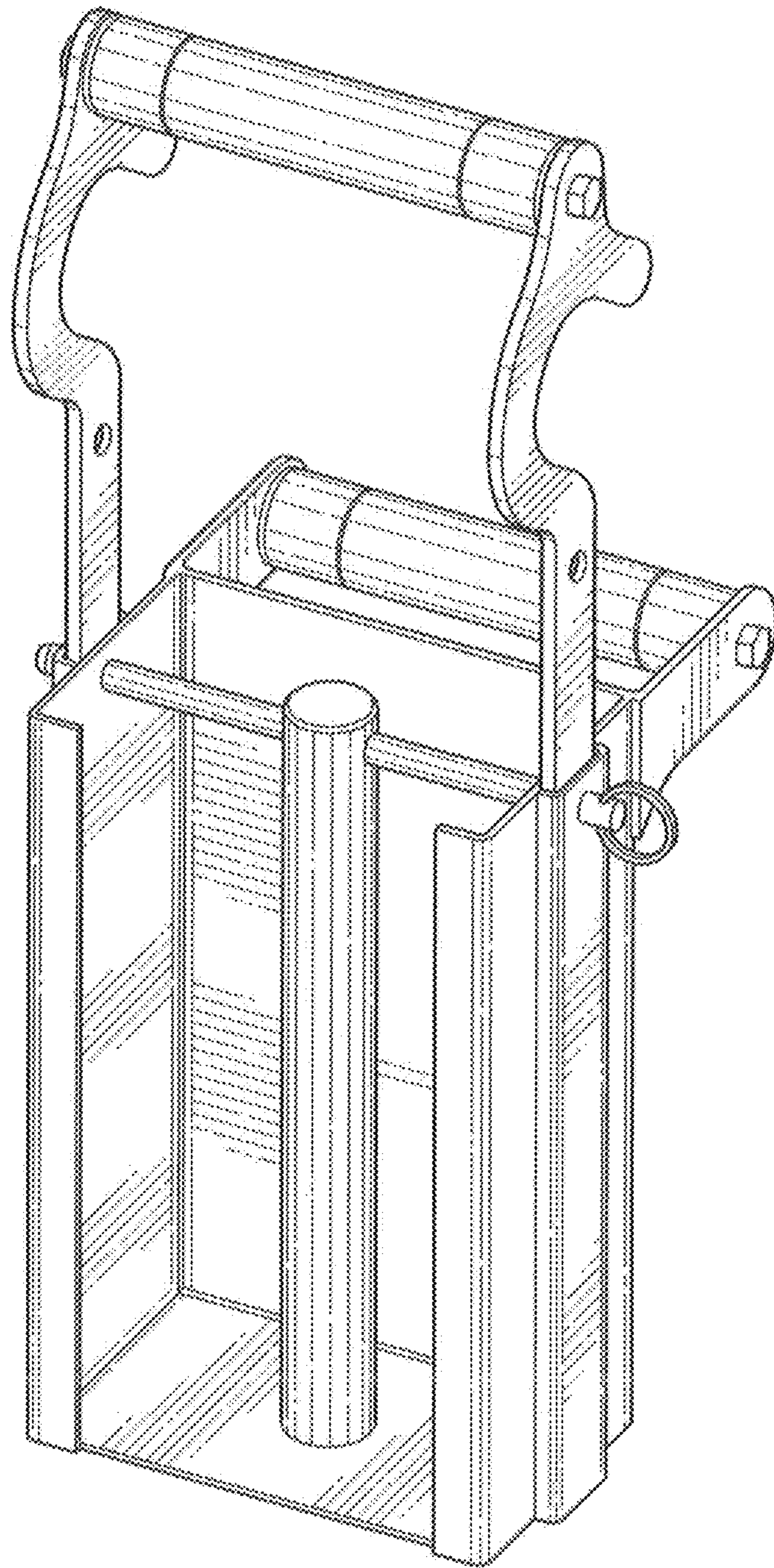


FIG. 3

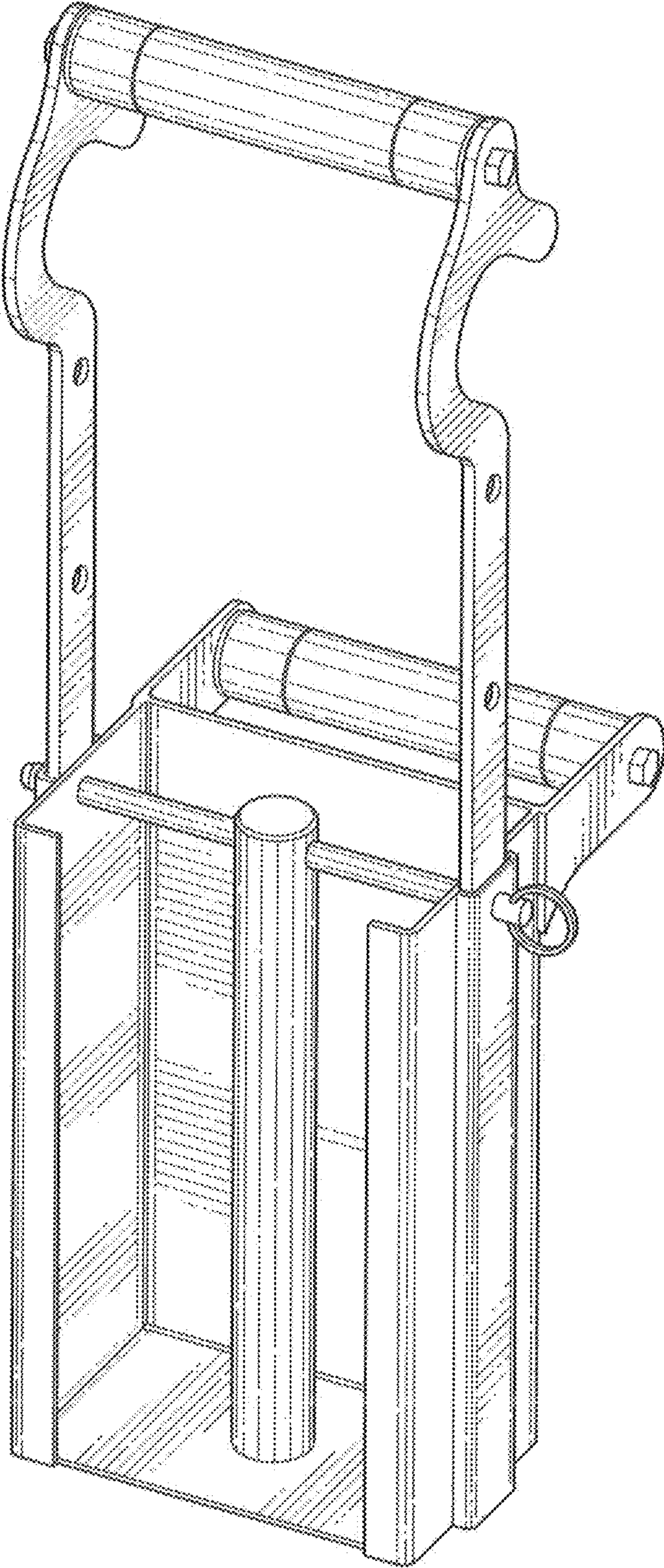


FIG. 4

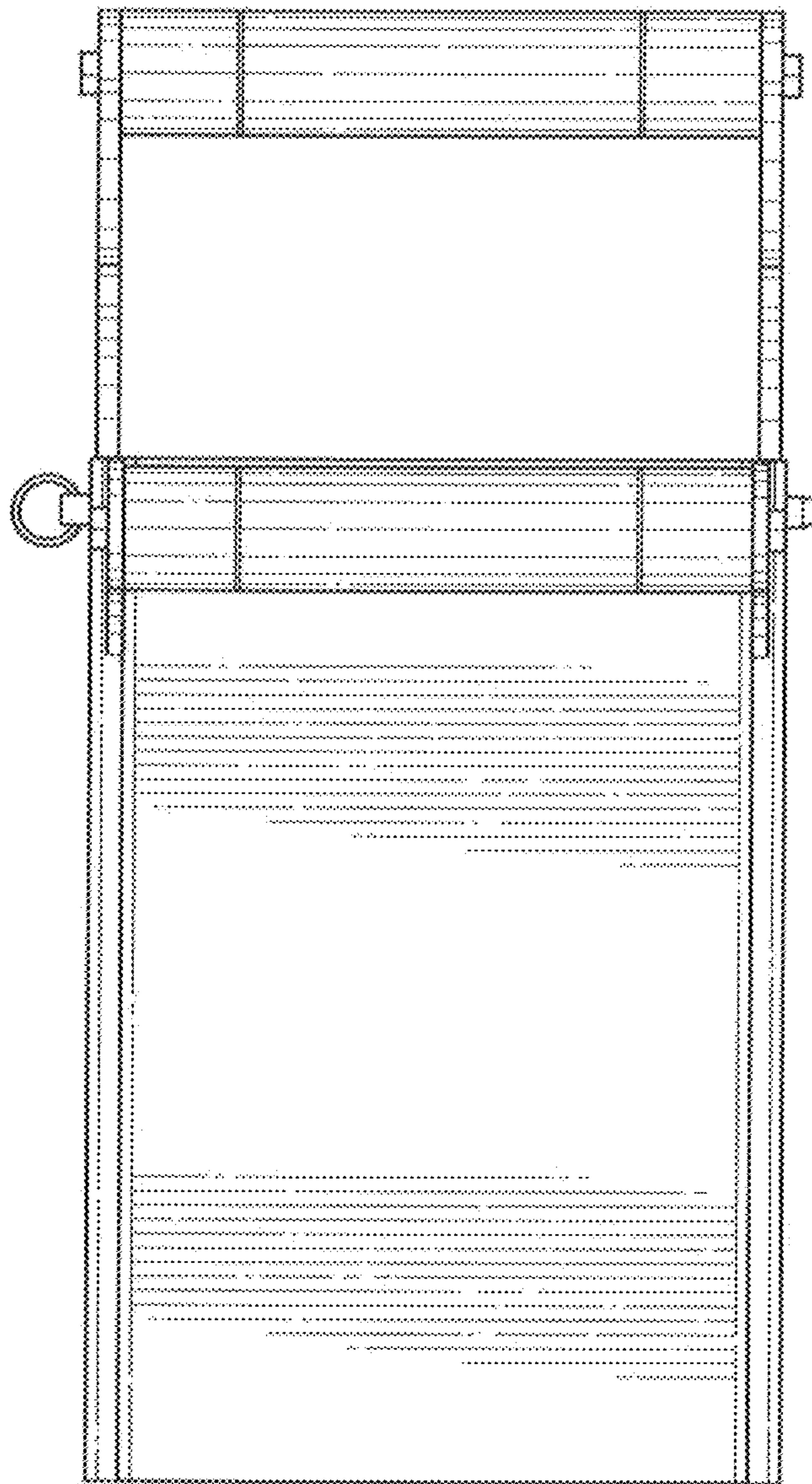


FIG. 5

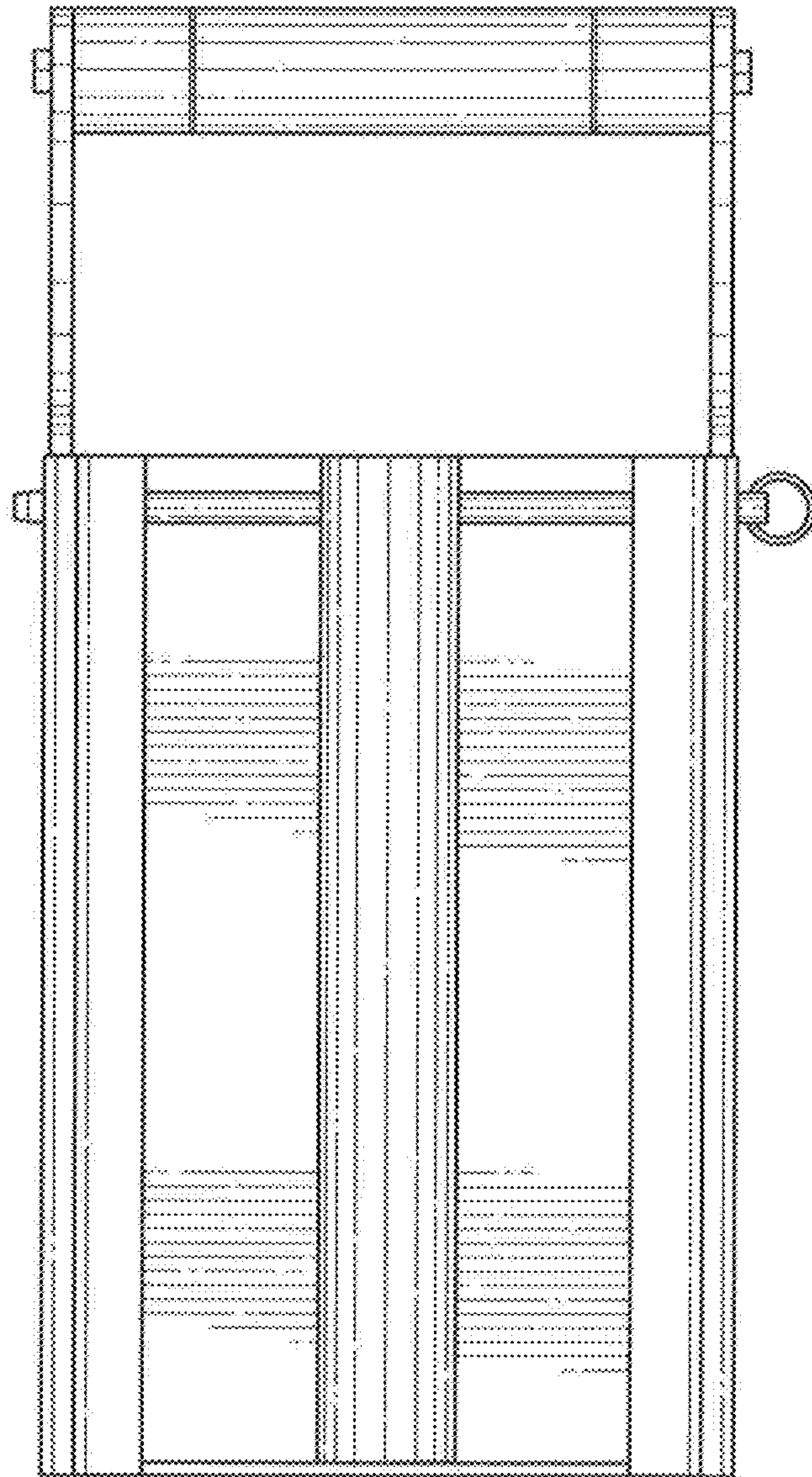


FIG. 6

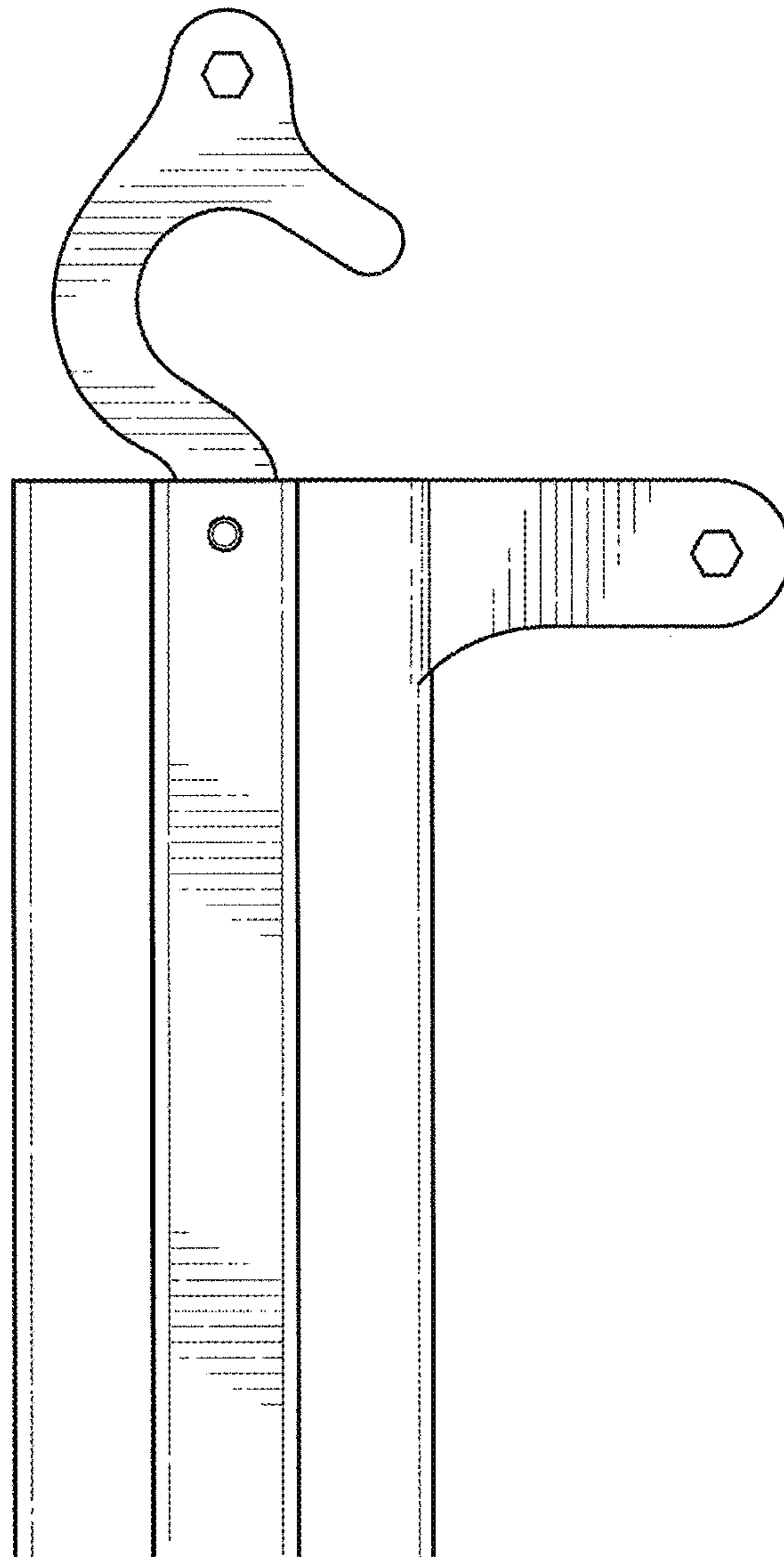


FIG. 7

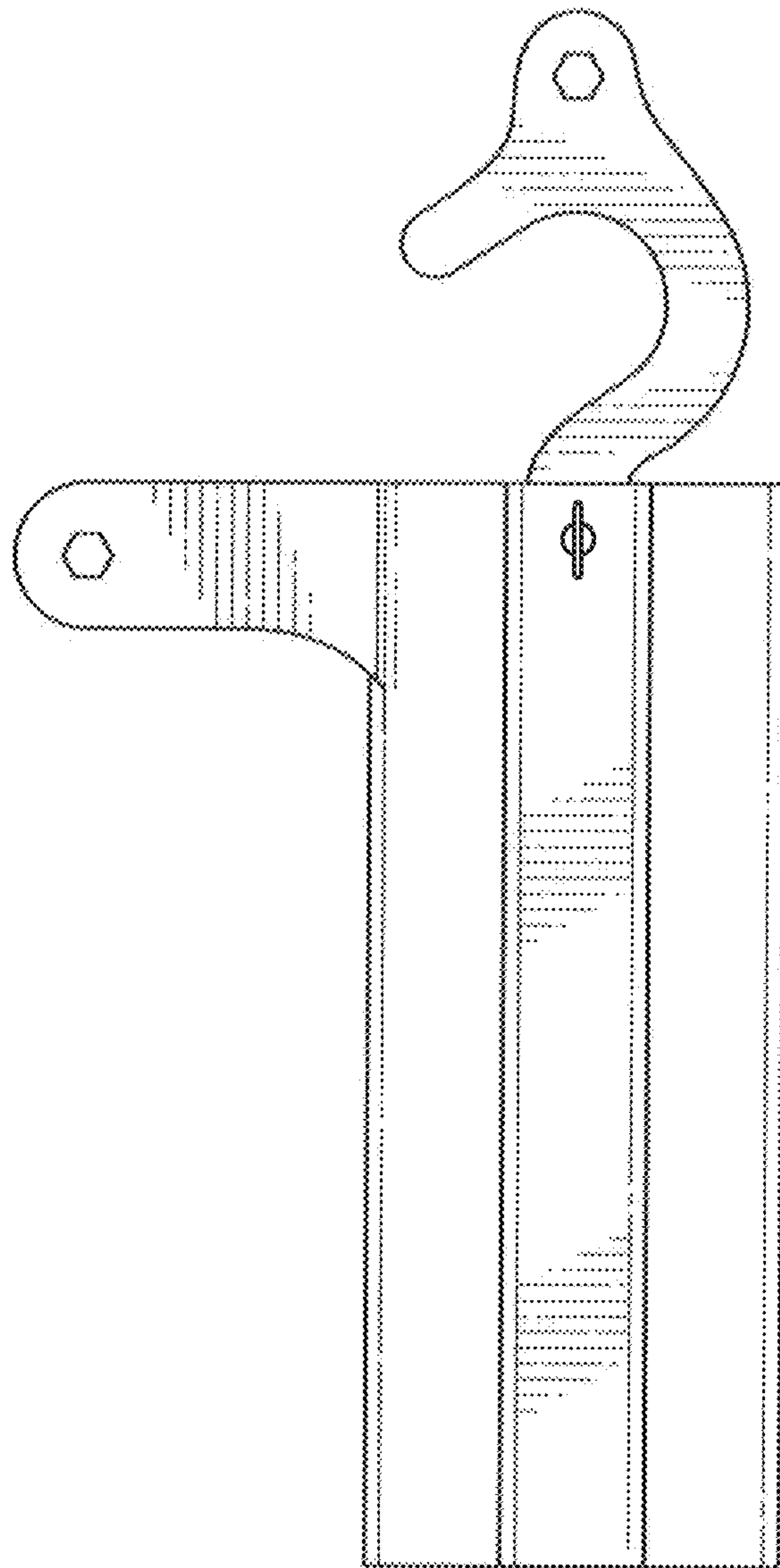


FIG. 8

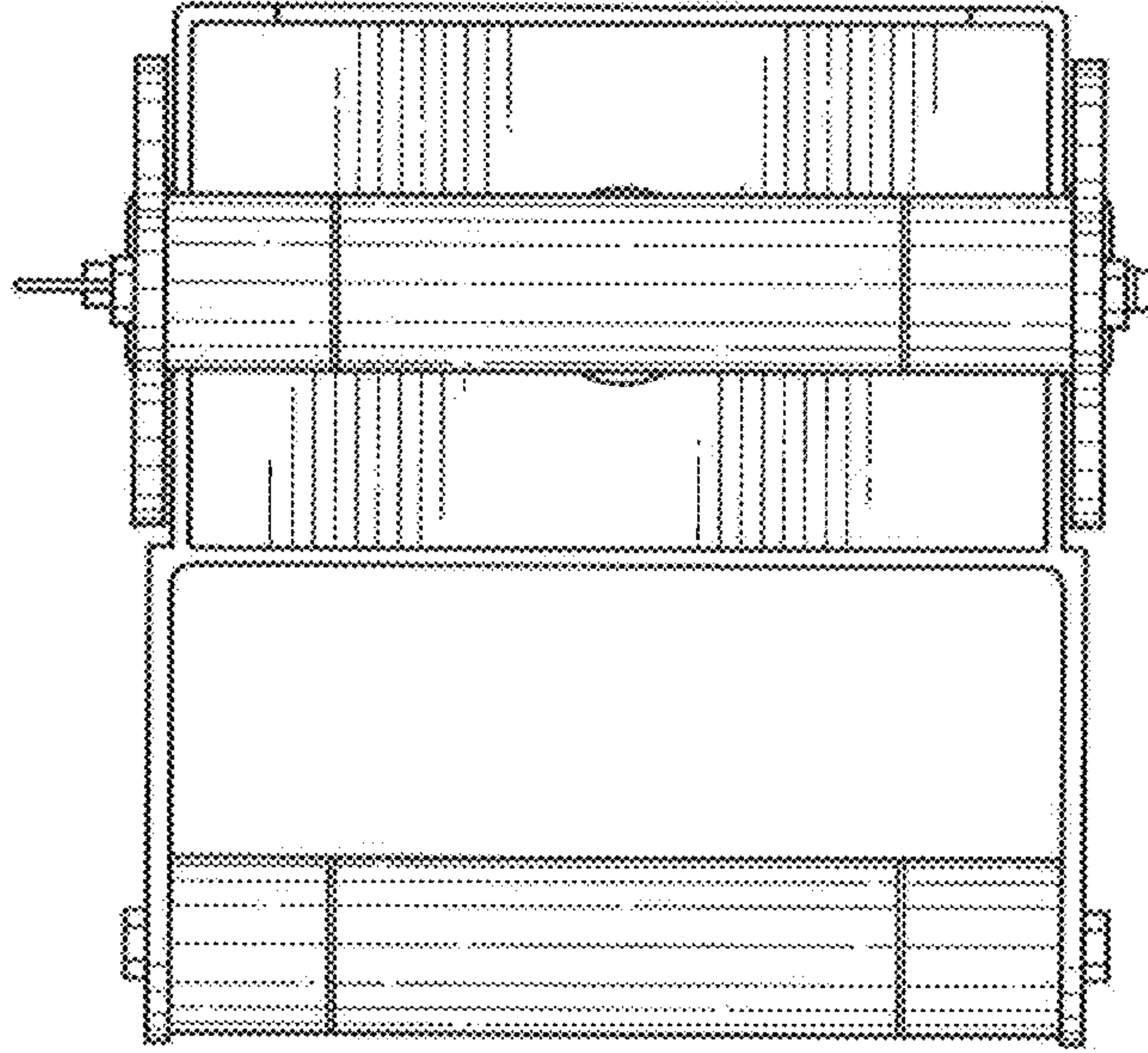


FIG. 9

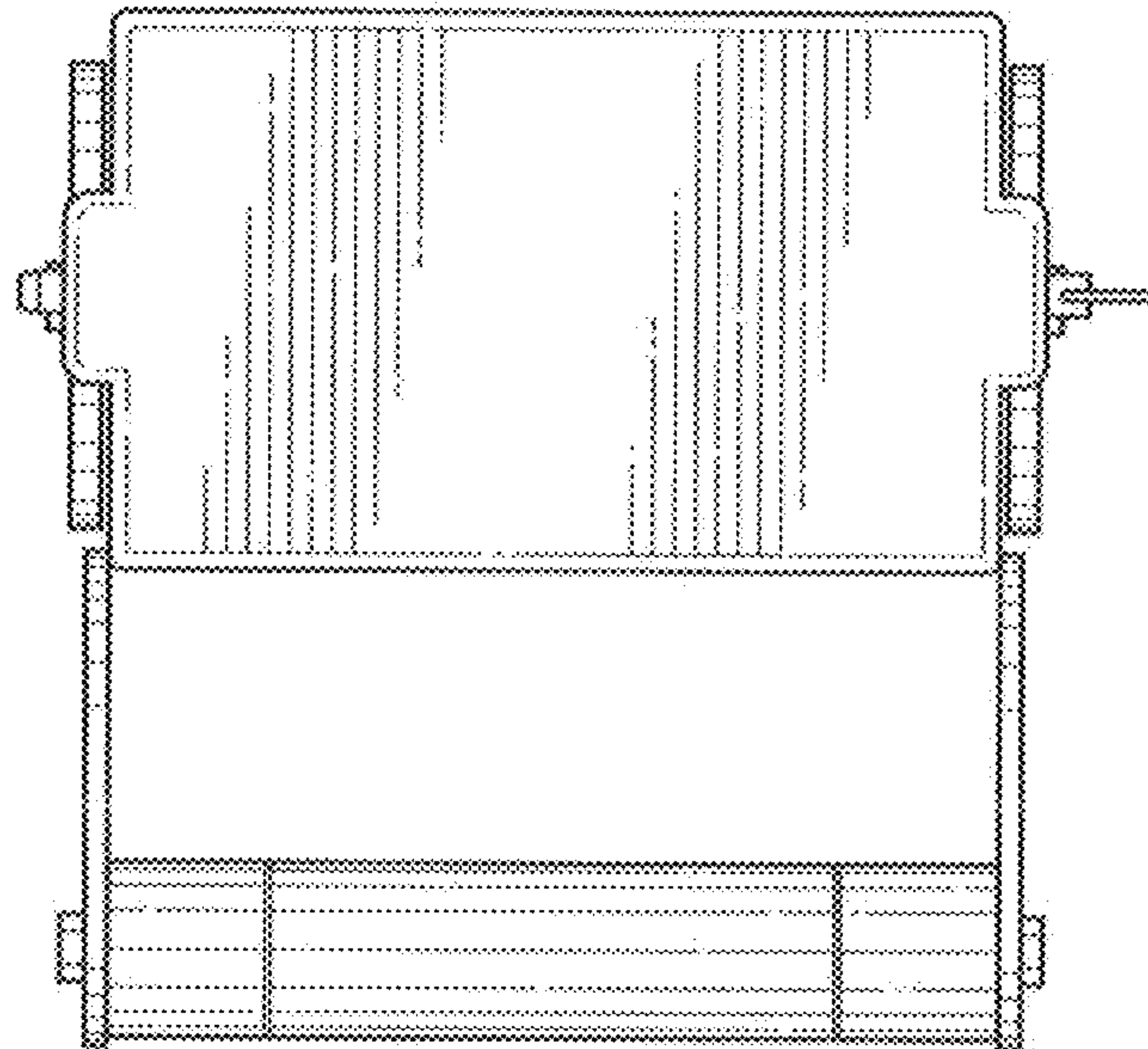


FIG. 10

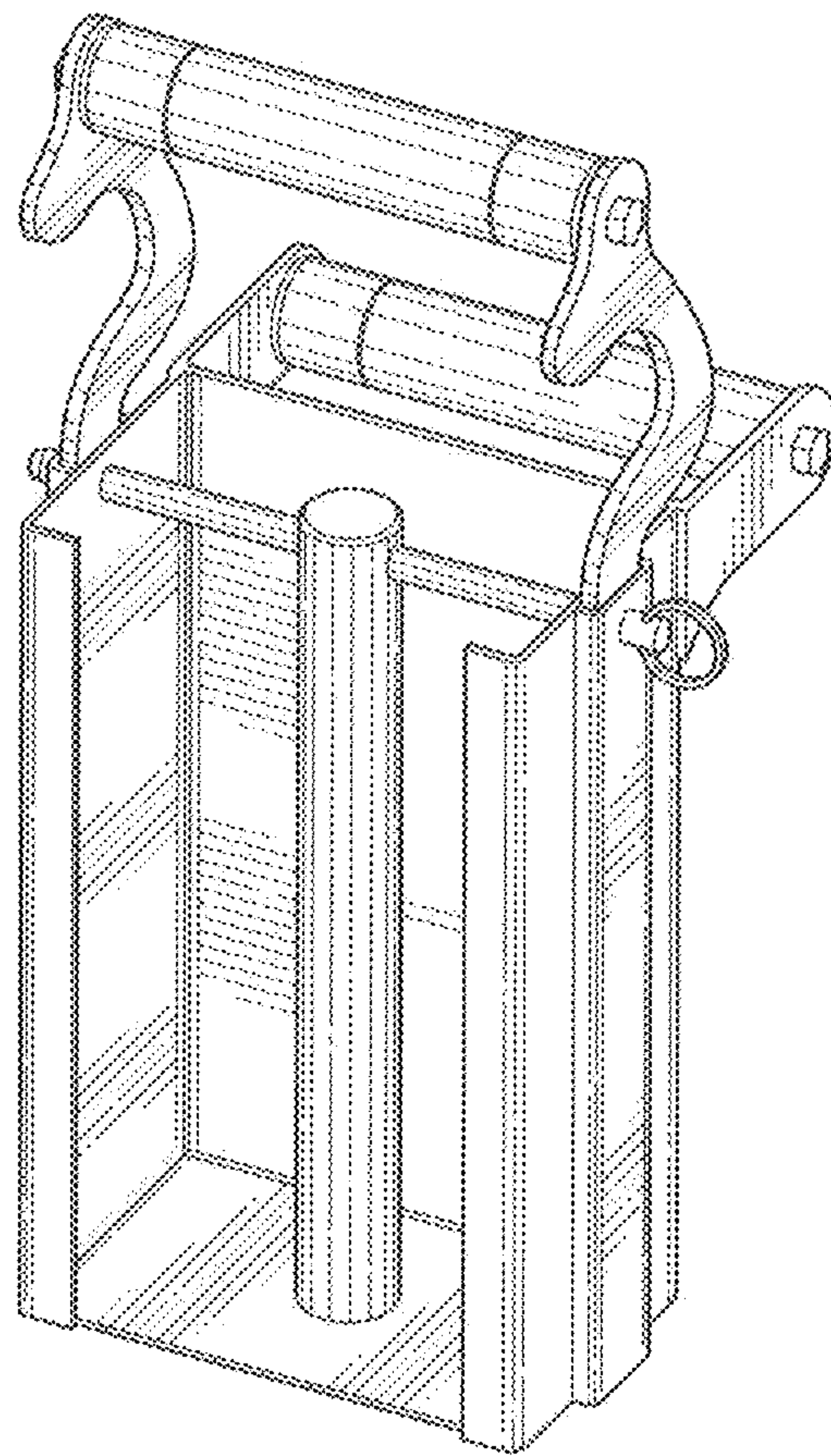


FIG. 11