



US00D804589S

(12) **United States Design Patent**
Boruch

(10) **Patent No.:** **US D804,589 S**

(45) **Date of Patent:** **** Dec. 5, 2017**

- (54) **COBRA SHAPED GRIP ASSIST**
 - (71) Applicant: **Ilya Boruch**, Brooklyn, NY (US)
 - (72) Inventor: **Ilya Boruch**, Brooklyn, NY (US)
 - (**) Term: **15 Years**
 - (21) Appl. No.: **29/574,866**
 - (22) Filed: **Aug. 19, 2016**
 - (51) **LOC (10) Cl.** **21-02**
 - (52) **U.S. Cl.**
USPC **D21/662; D29/113**
 - (58) **Field of Classification Search**
USPC D21/797, 698, 662, 683; 482/23, 48,
482/139, 44, 105, 91, 95, 124, 123, 125,
482/126, 904, 131, 129; 2/161.1, 162,
2/170, 917, 16, 20; D8/330, 303;
D20/22; D29/113, 120.1, 791, 797, 190,
D29/117.1; 473/205; D24/190
CPC A63B 21/4035; A63B 21/4017; A63B
21/068; A63B 23/16; A41D 13/088;
A41D 13/082; A41D 19/01547; A41D
19/01582; A41D 13/08
- See application file for complete search history.

- 5,809,570 A * 9/1998 Grover A41D 19/01547
2/161.1
 - 5,813,950 A * 9/1998 Parker A41D 13/082
2/20
 - D463,566 S * 9/2002 Slautterback D24/190
 - 6,849,036 B2 * 2/2005 Forslid A63B 21/4021
482/139
 - 7,043,762 B2 * 5/2006 Greenhalgh A63B 71/14
2/16
 - D710,955 S * 8/2014 Boruch D21/662
 - D741,974 S * 10/2015 Lung D21/698
- (Continued)

OTHER PUBLICATIONS

Cobra Grip by Cobra Grip dated no date given. Found online [May 17, 2017] <http://cobragrips.com/buy-now/#!/Cobra-Grips/c/16016064/offset=0&sort=nameAsc>.*

Primary Examiner — Robert M. Spear
Assistant Examiner — Ryan Harvey
(74) *Attorney, Agent, or Firm* — William B. Ritchie

(57) **CLAIM**

The ornamental design for a cobra shaped grip assist, as shown.

DESCRIPTION

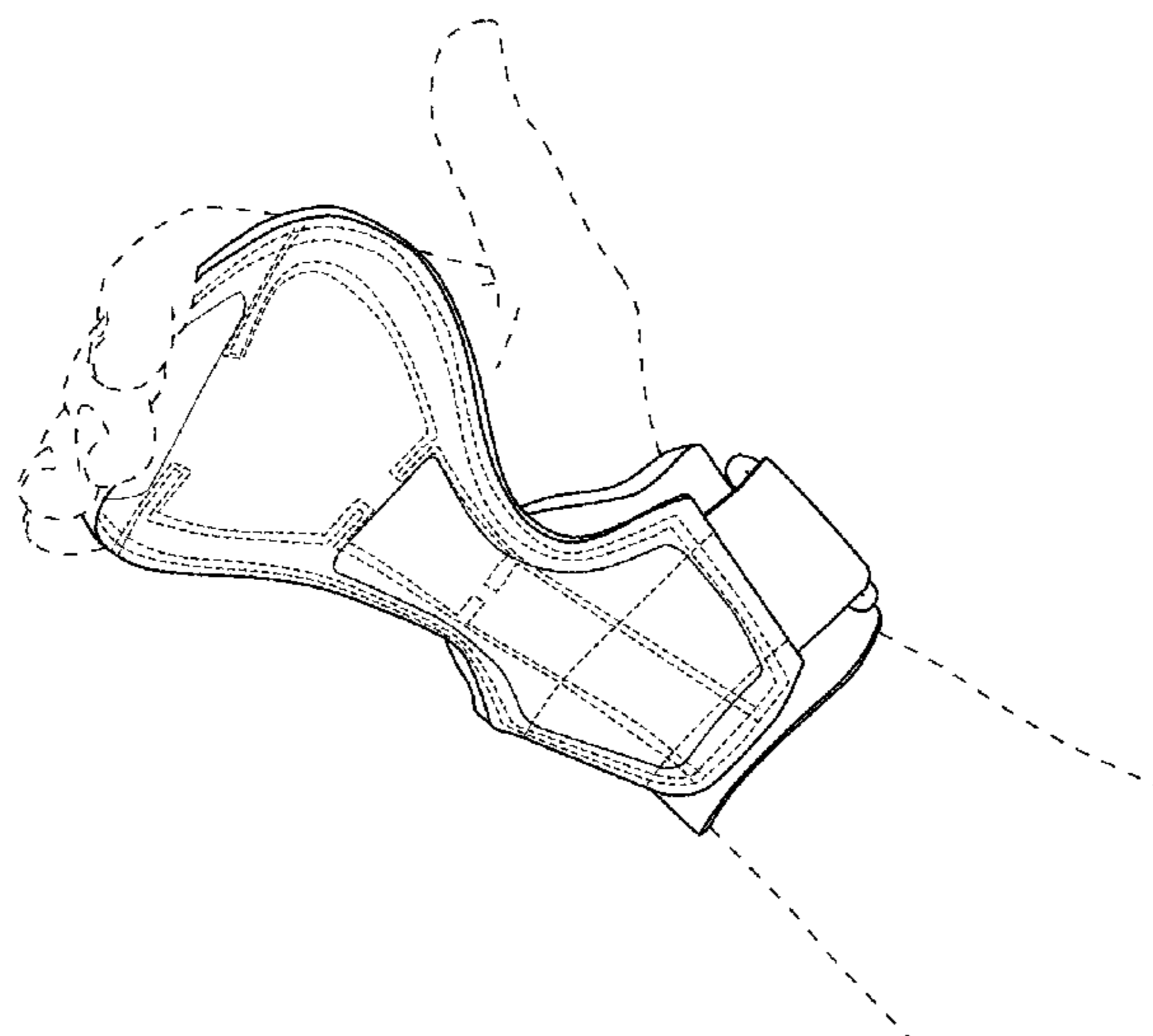
FIG. 1 is an top isometric view of the cobra shaped grip assist shown in accordance with the invention.
FIG. 2 is a top view of the cobra shaped grip assist.
FIG. 3 is a front view of the cobra shaped grip assist.
FIG. 4 is a bottom view of the cobra shaped grip assist.
FIG. 5 is a back view of the cobra shaped grip assist.
FIG. 6 is a left view of the cobra shaped grip assist.
FIG. 7 is a right view of the cobra shaped grip assist; and,
FIG. 8 is a right hand isometric view of the cobra shaped grip assist in place on a user.
The broken lines represent stitching and form no part of the claimed design.

1 Claim, 3 Drawing Sheets

(56) **References Cited**

U.S. PATENT DOCUMENTS

- 4,400,831 A * 8/1983 Rietz A41D 19/01547
2/161.1
- D275,219 S * 8/1984 Scales, Jr. D21/791
- 4,632,103 A * 12/1986 Fabricant A61F 5/019
602/30
- D295,897 S * 5/1988 Thimm-Kelly 473/62
- D340,990 S * 11/1993 Kawamura D24/190
- 5,298,001 A * 3/1994 Goodson A63B 21/4021
2/161.1
- 5,350,343 A * 9/1994 DaSilva A41D 13/082
2/20
- 5,479,660 A * 1/1996 Najac A41D 13/082
2/161.1



(56)

References Cited

U.S. PATENT DOCUMENTS

D751,771 S * 3/2016 Hunter D29/117.1
D752,695 S * 3/2016 Boruch D21/684
D769,538 S * 10/2016 Gutman D29/113
9,643,073 B1 * 5/2017 Pellegrino A63B 71/141
2003/0199364 A1 * 10/2003 Mah A63B 21/4021
482/23

* cited by examiner

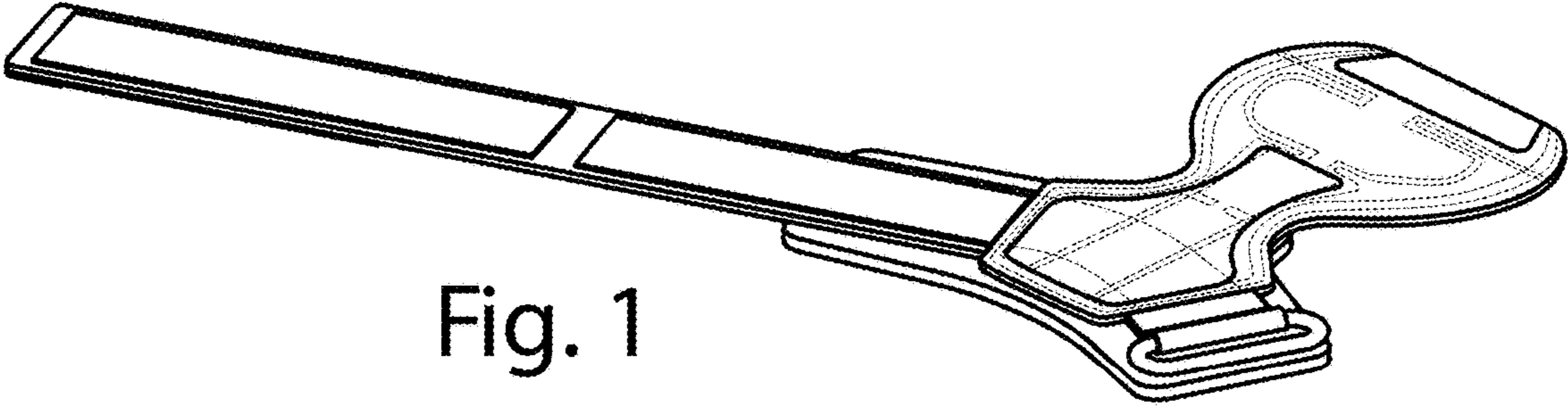


Fig. 1

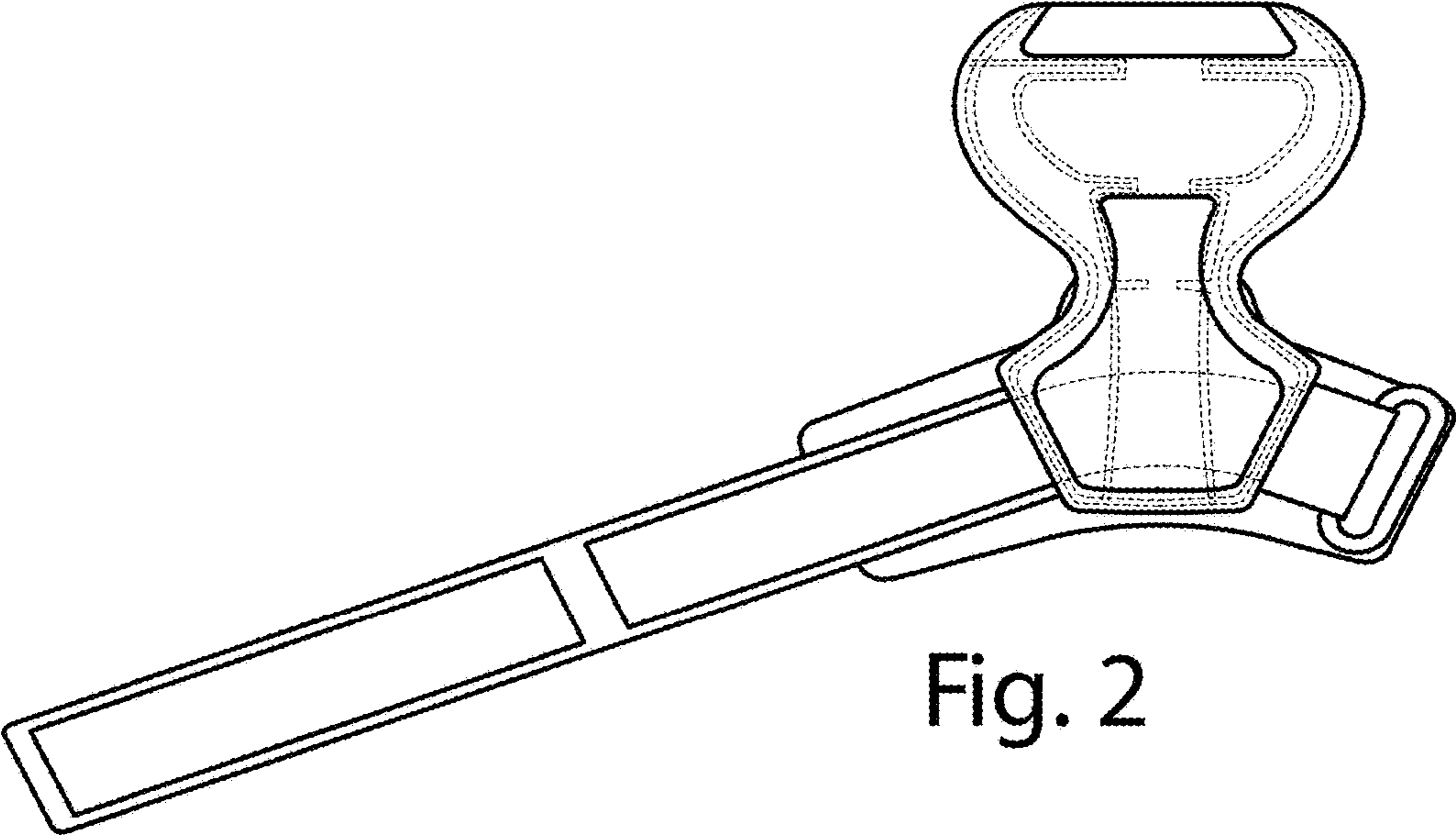


Fig. 2



Fig. 3

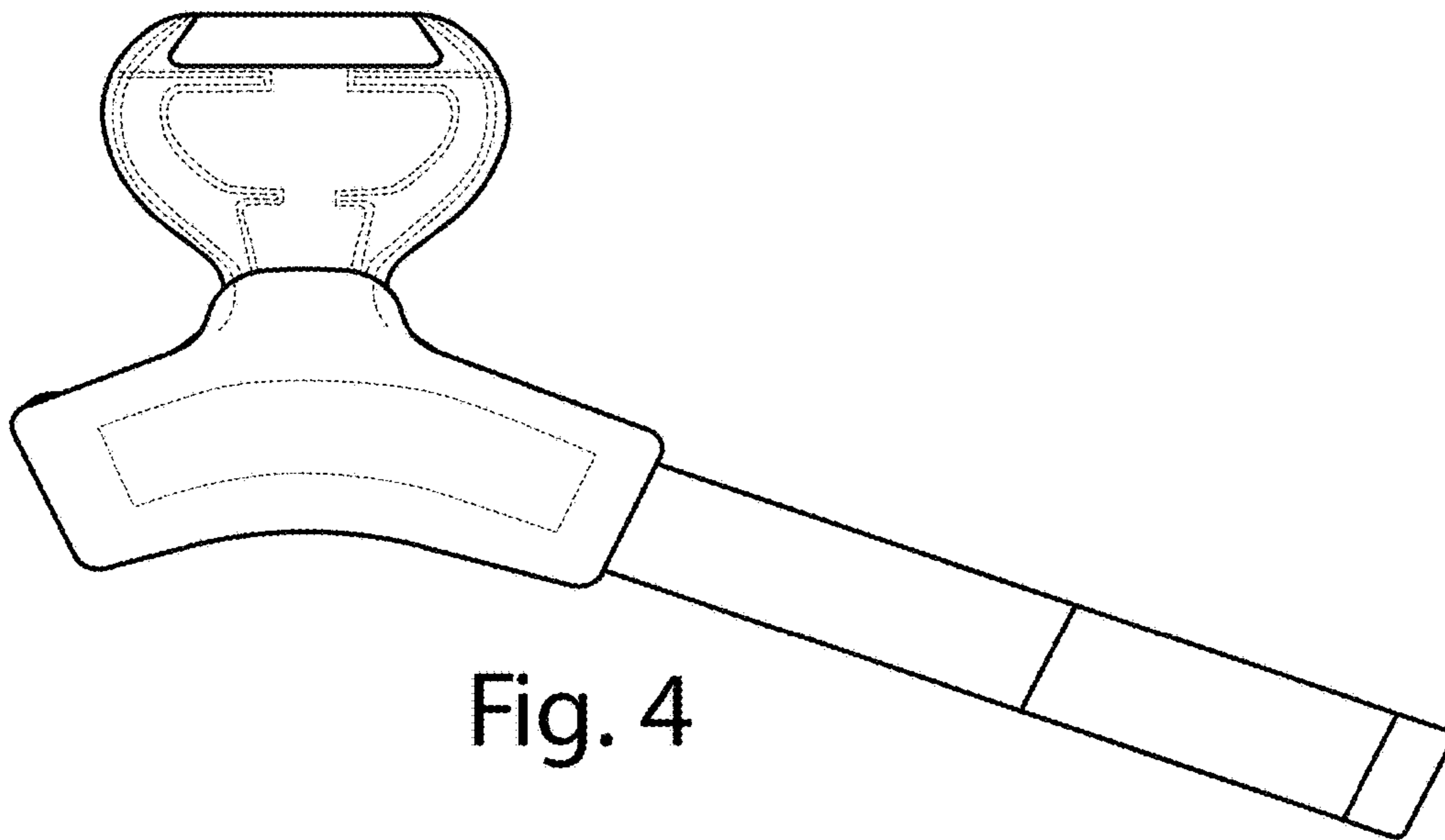


Fig. 4

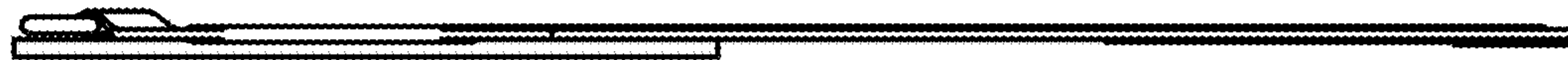


Fig. 5



Fig. 6

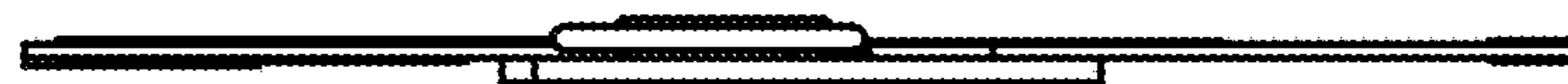


Fig. 7

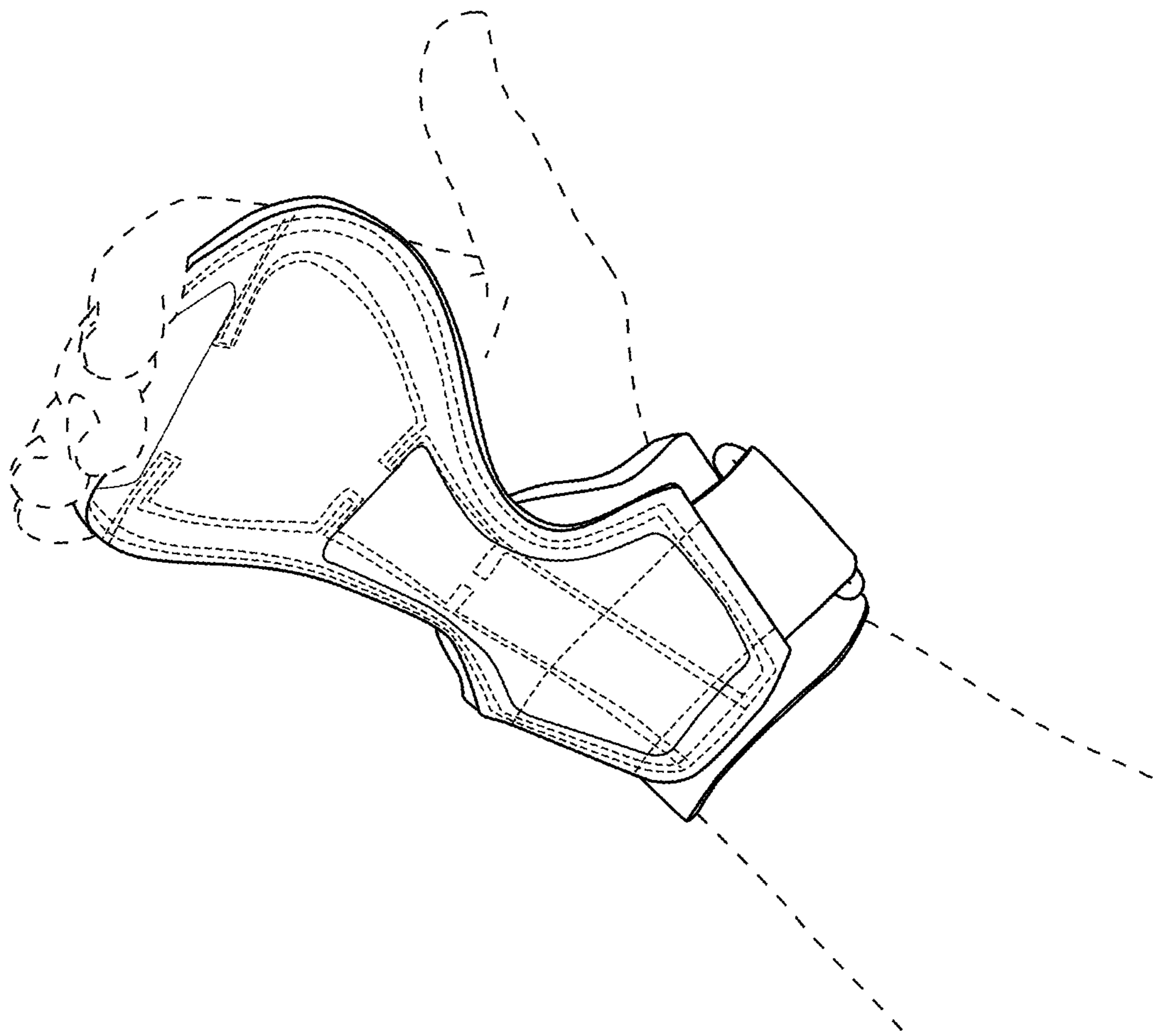


Fig. 8