



US00D804586S

(12) **United States Design Patent** (10) **Patent No.:** **US D804,586 S**
Brannon (45) **Date of Patent:** **** Dec. 5, 2017**

(54) **ROBOT TOY**

(71) Applicant: **Shirley Brannon**, Martinsburg, WV
(US)

(72) Inventor: **Shirley Brannon**, Martinsburg, WV
(US)

(**) Term: **15 Years**

(21) Appl. No.: **29/560,206**

(22) Filed: **Apr. 4, 2016**

(51) **LOC (10) Cl.** **21-01**

(52) **U.S. Cl.**
USPC **D21/578**; D15/199

(58) **Field of Classification Search**
USPC D21/578-583, 621, 622; 446/268-274,
446/279, 280, 285, 289-292, 294,
446/297-303, 353-355, 376-384;
D15/199; 318/568.11, 568.12, 568.2
CPC . B25J 9/00; B25J 9/0003; B25J 9/0006; B25J
9/0009

See application file for complete search history.

(56) **References Cited**

U.S. PATENT DOCUMENTS

1,710,679	A	4/1929	Pels
4,217,724	A	8/1980	Schoenfield et al.
D261,540	S	10/1981	Appel et al.
5,078,641	A	1/1992	Chen
5,454,746	A	10/1995	Guegan et al.
5,738,423	A	4/1998	Alfaro

D408,472	S	*	4/1999	Bush	D21/587
D430,237	S	*	8/2000	Kwok	D21/578
6,257,947	B1		7/2001	Glaser		
D448,820	S	*	10/2001	Murray	D21/578
D453,199	S	*	1/2002	Sawai	D21/578
6,695,667	B1		2/2004	Kee		
D492,359	S	*	6/2004	So	D10/15
D497,637	S	*	10/2004	Cetera	D10/15
D509,268	S	*	9/2005	Robinson	D21/578

* cited by examiner

Primary Examiner — Zenia Bennett

(74) *Attorney, Agent, or Firm* — Robert C. Montgomery;
Montgomery Patent & Design

(57) **CLAIM**

The ornamental design for a robot toy, as shown and described.

DESCRIPTION

FIG. 1 is a front side perspective view of a robot toy showing my new design;

FIG. 2 is a rear side perspective view thereof;

FIG. 3 is a front side elevation thereof;

FIG. 4 is a rear side elevation view thereof;

FIG. 5 is a left side elevation view thereof;

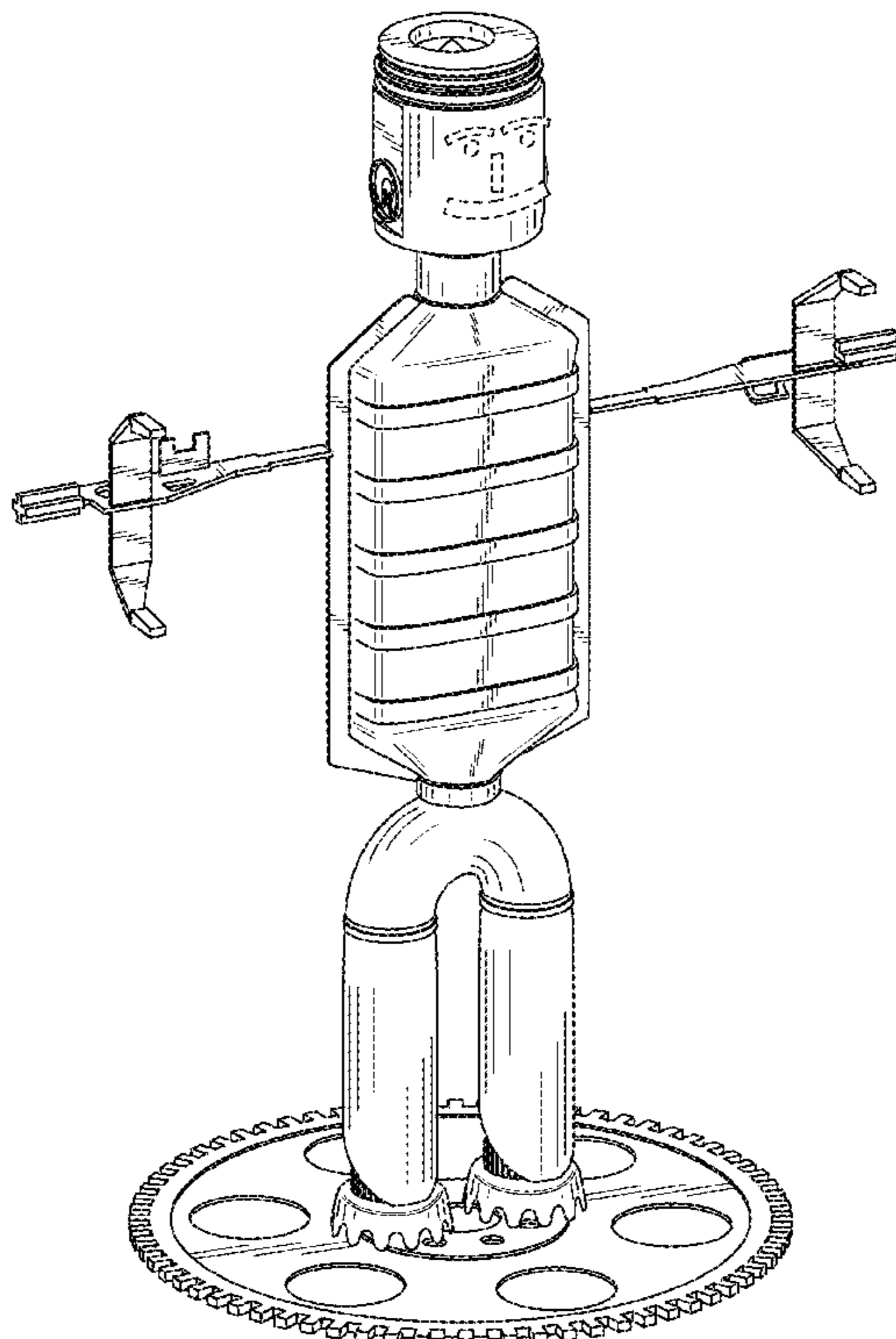
FIG. 6 is a right side elevation view thereof;

FIG. 7 a top side plan view thereof; and,

FIG. 8 is a bottom side plan view thereof.

The broken lines indicate boundary areas and form no part of the claimed design.

1 Claim, 8 Drawing Sheets



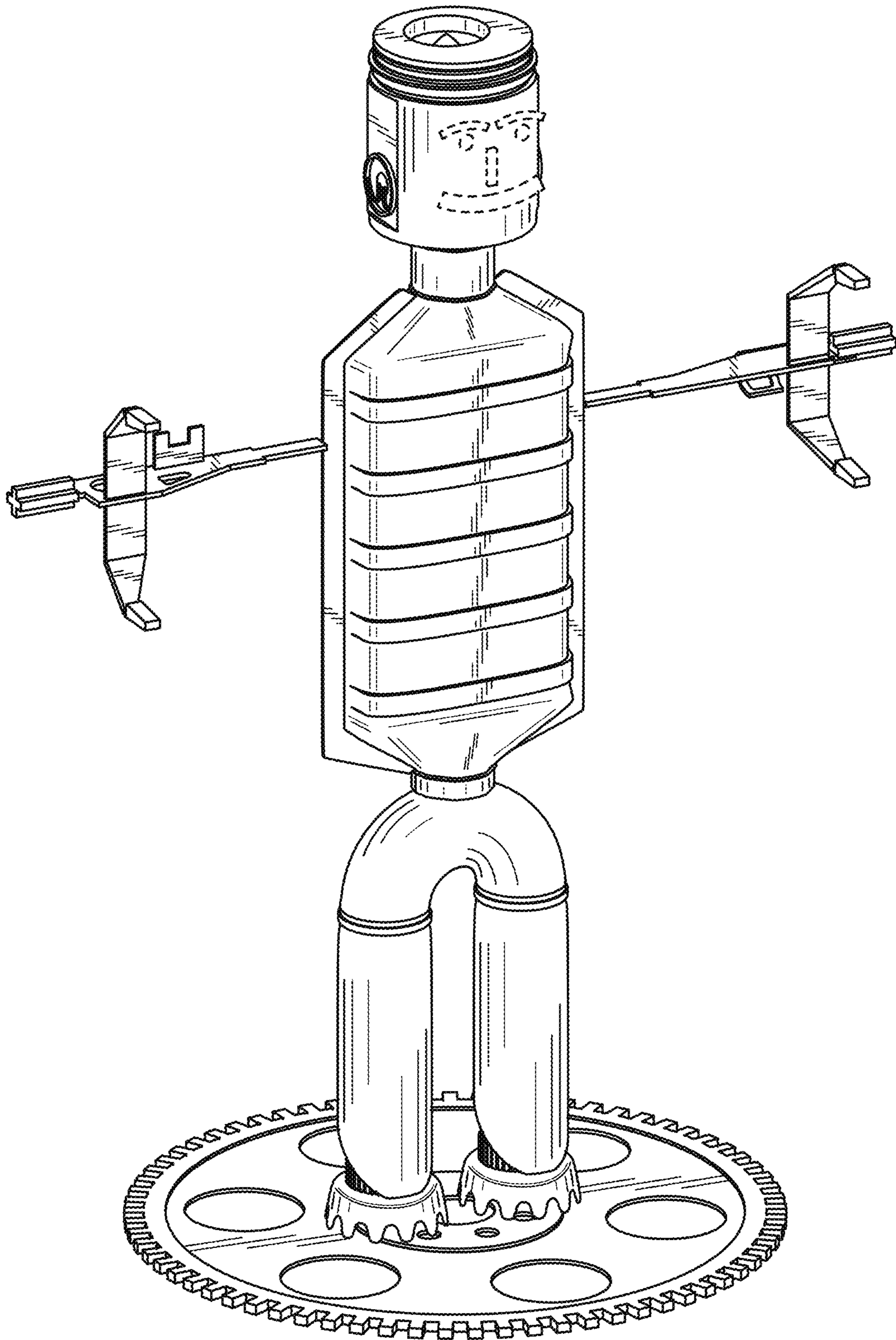


FIG. 1

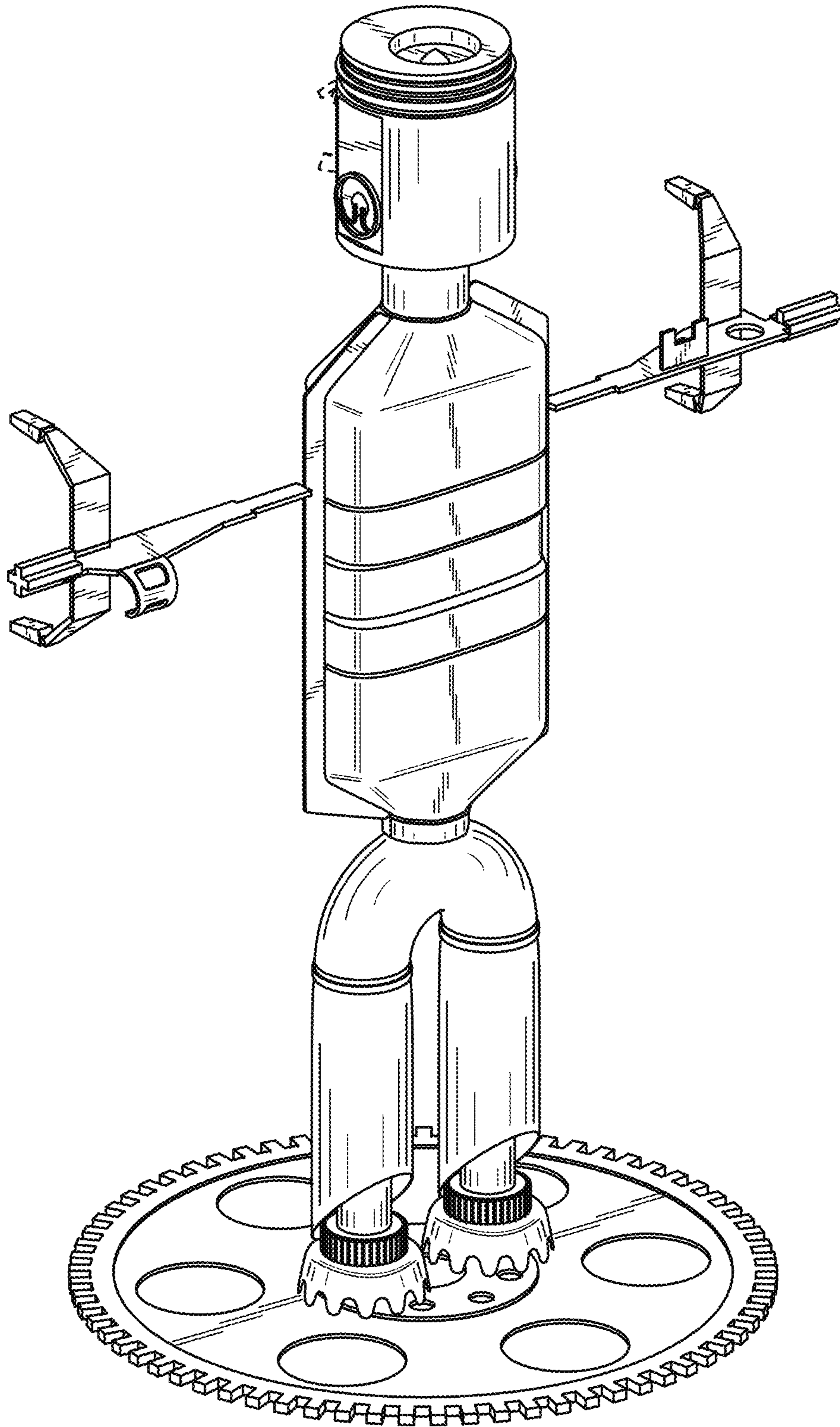


FIG. 2

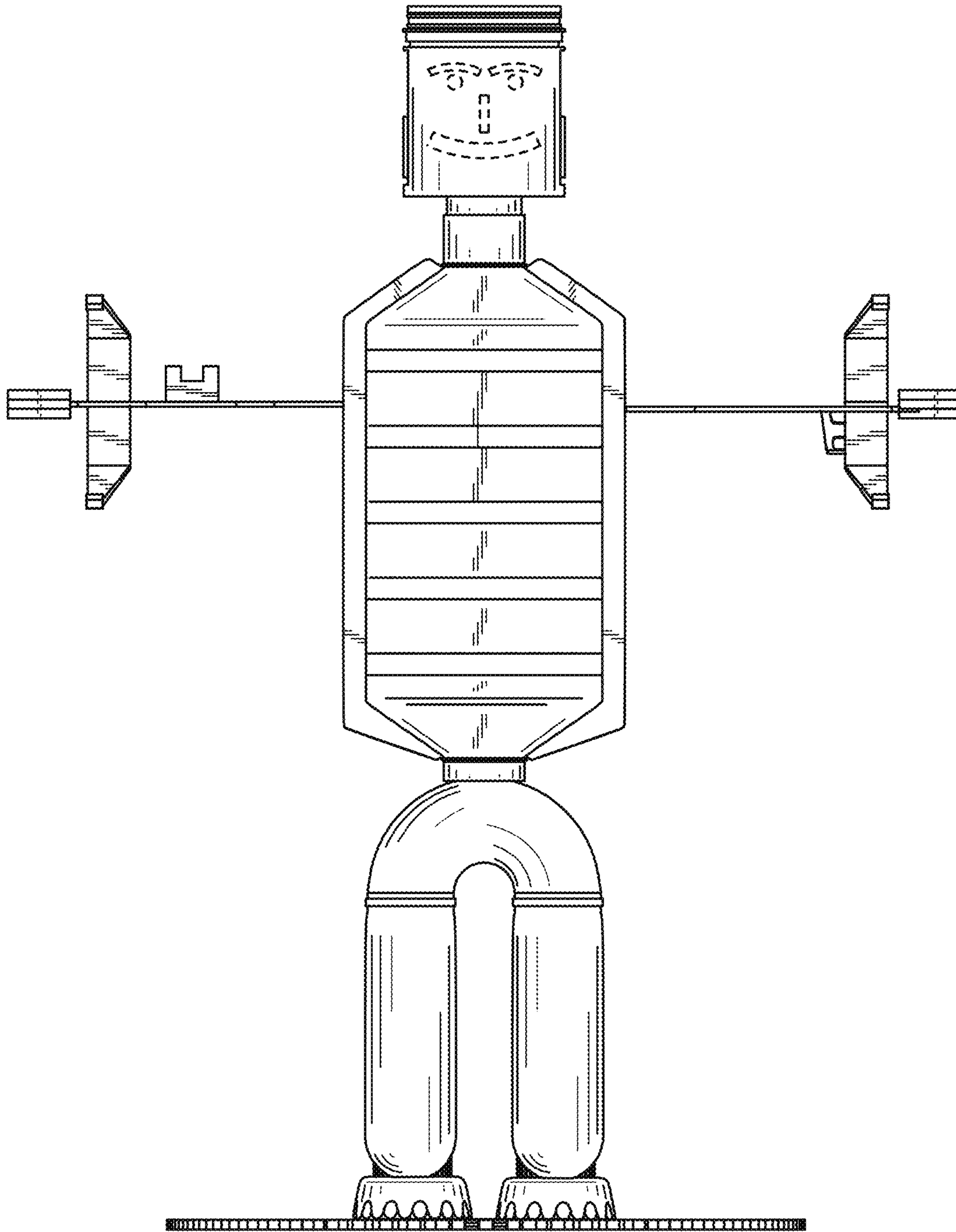


FIG. 3

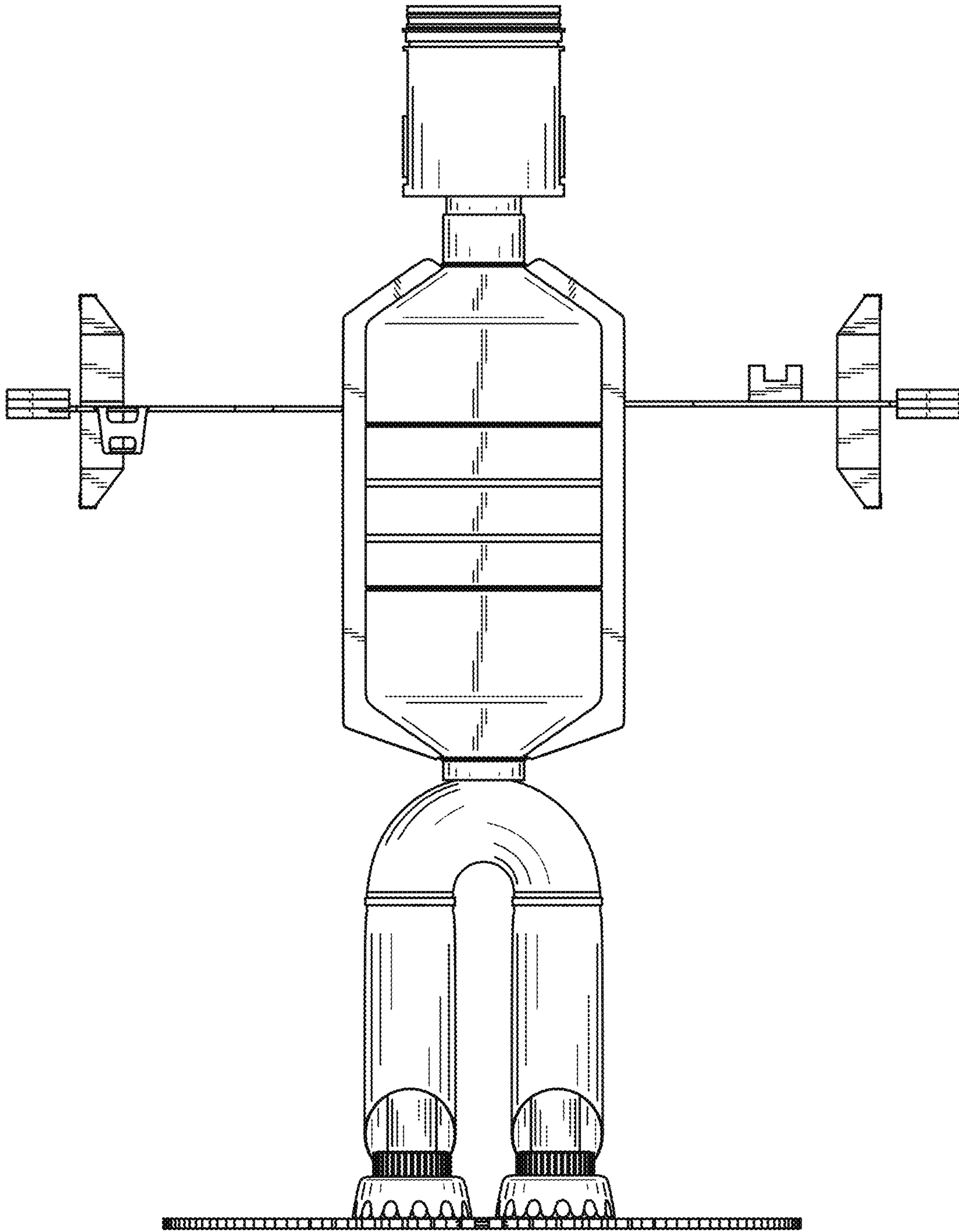


FIG. 4

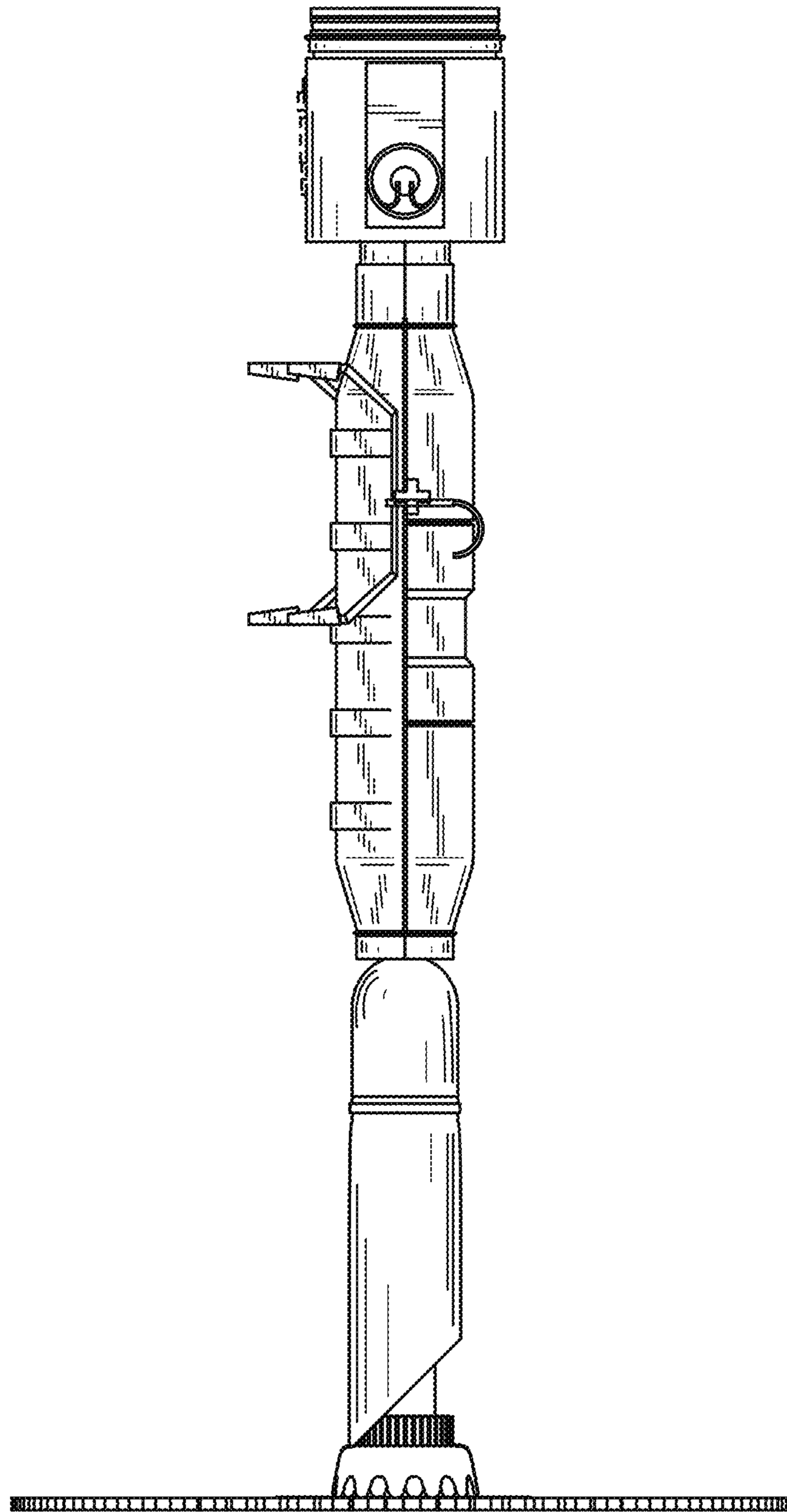


FIG. 5

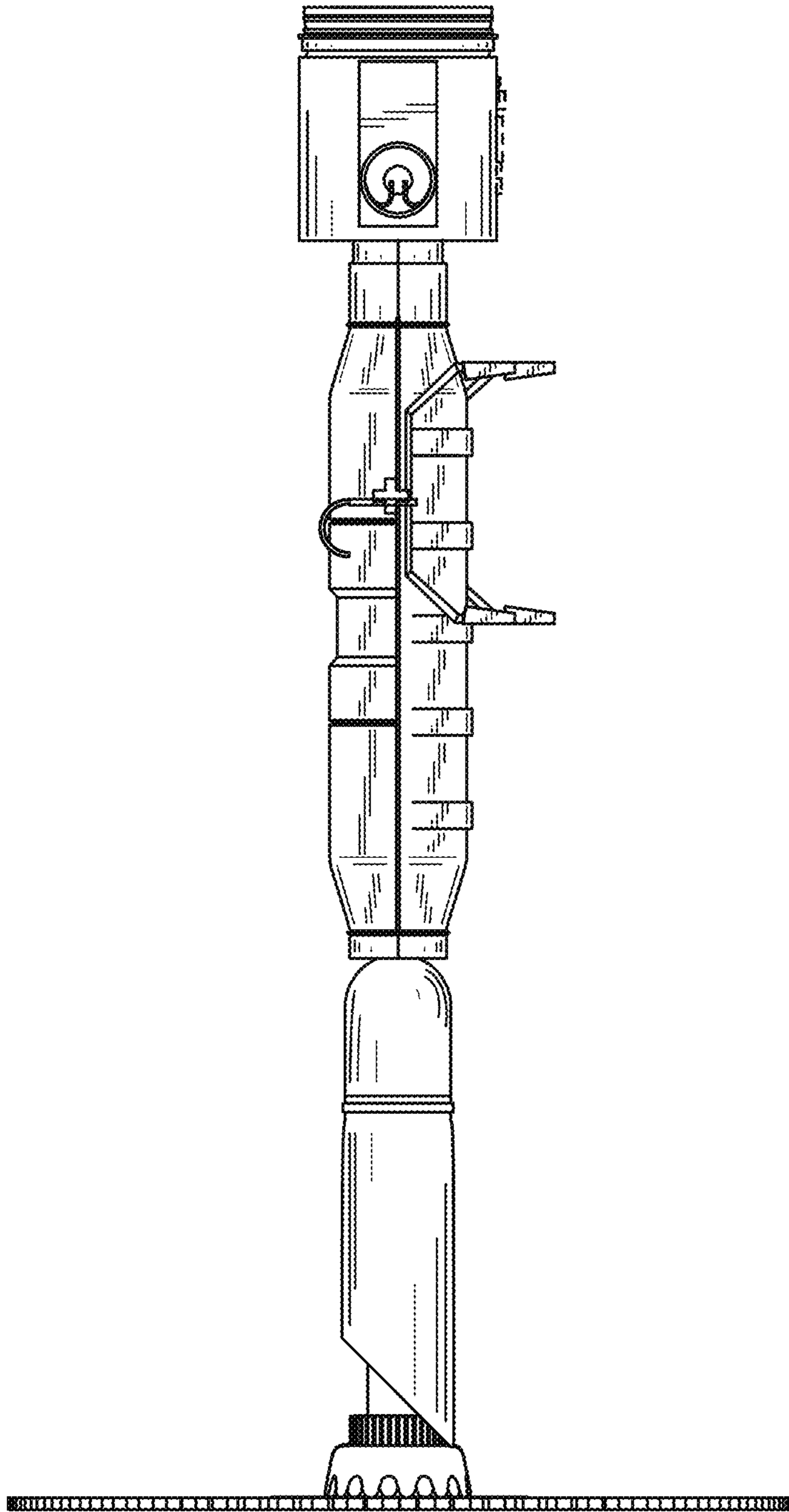


FIG. 6

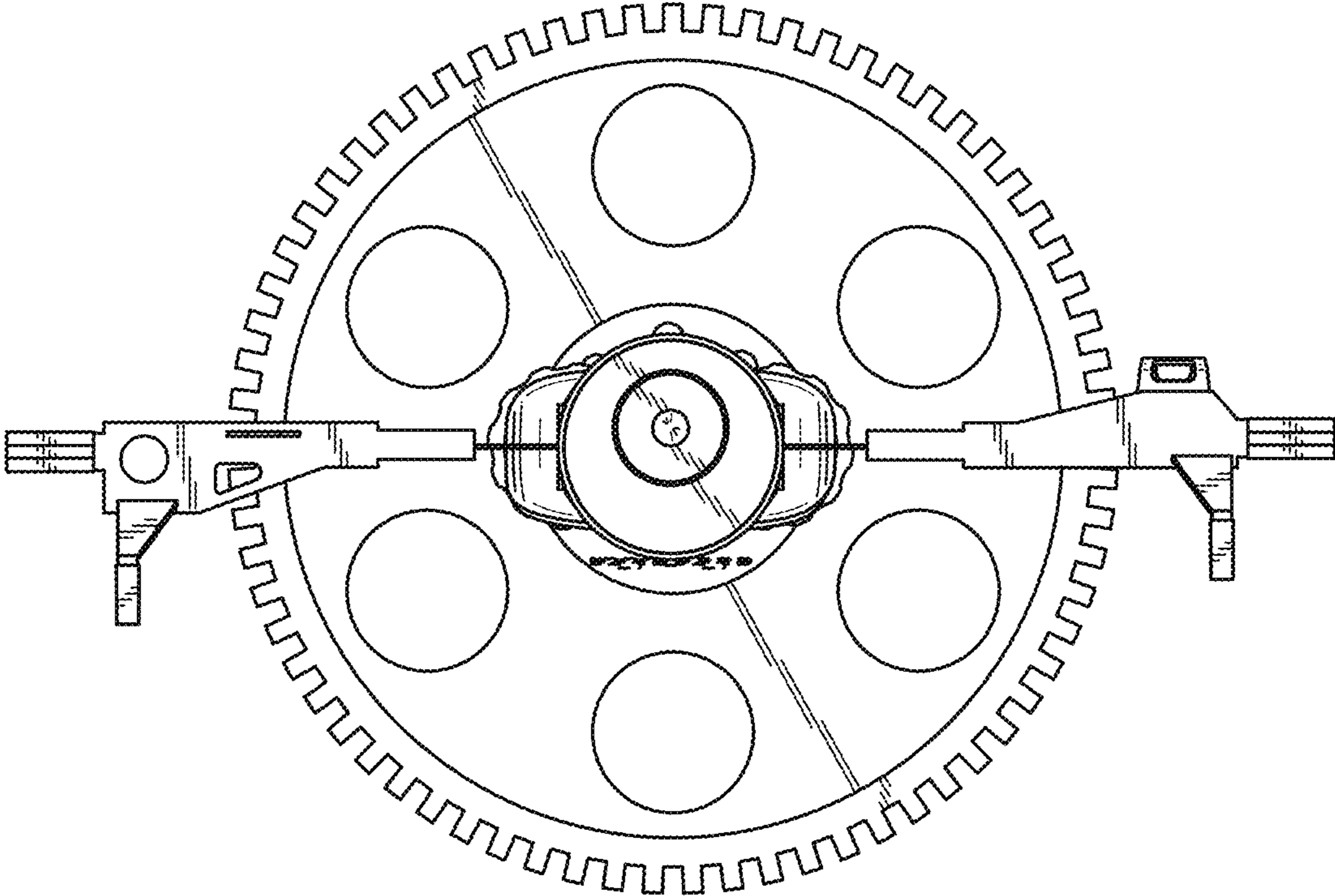


FIG. 7

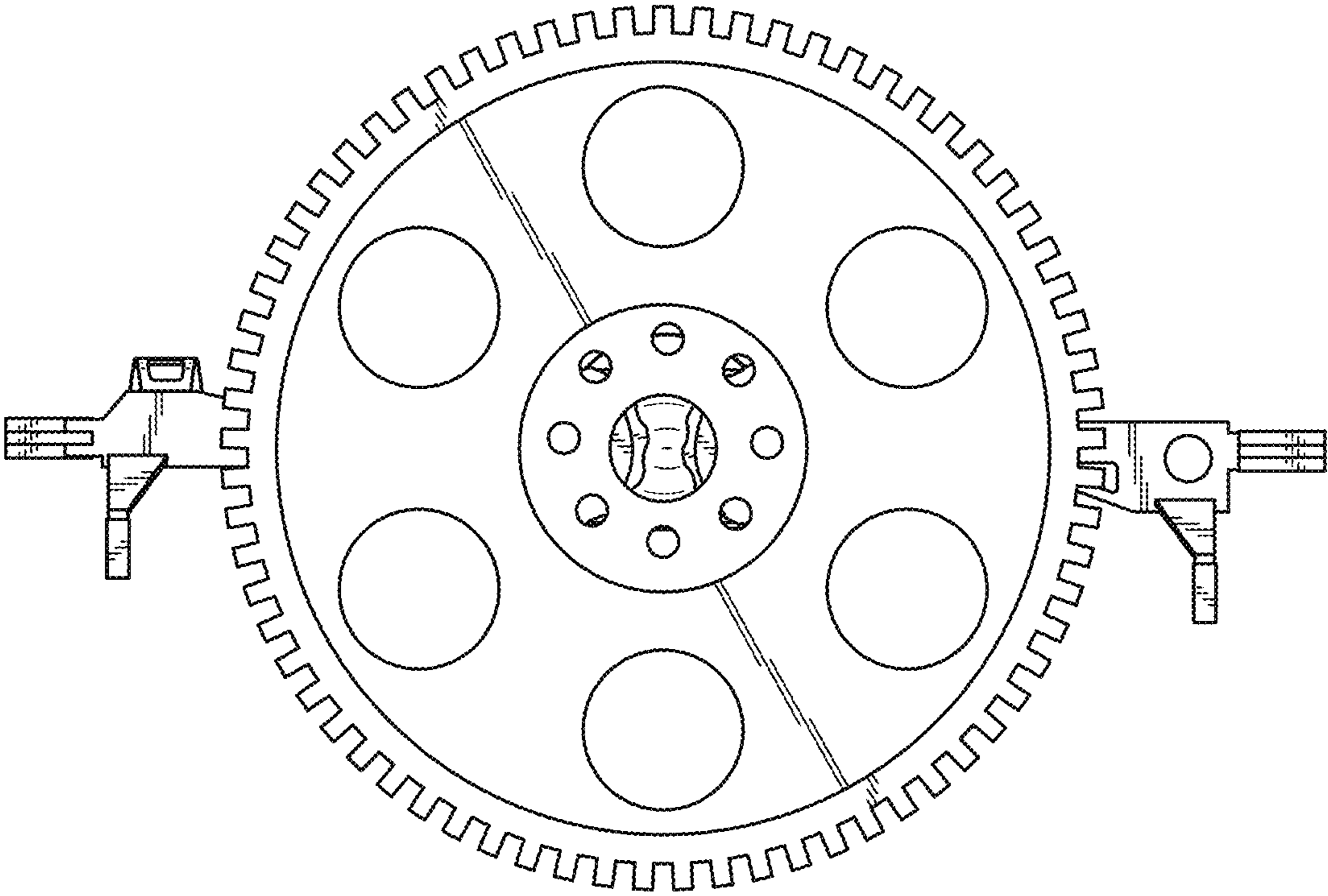


FIG. 8