



US00D804583S

(12) **United States Design Patent** (10) **Patent No.:** **US D804,583 S**
Exley (45) **Date of Patent:** **** Dec. 5, 2017**

(54) **SQUARE TOY STREET SIGN** 6,585,586 B1 * 7/2003 Romero A63F 3/00157
 273/274
 (71) Applicant: **Ontel Products Corporation**, Fairfield, NJ (US) D593,162 S * 5/2009 Sanchez D20/10
 D598,053 S * 8/2009 Sanchez D14/159
 2008/0028652 A1 * 2/2008 Makhija G09F 3/20
 40/606.15

(72) Inventor: **Ross Exley**, Morristown, NJ (US)
 (73) Assignee: **Ontel Products Corporation**, Fairfield, NJ (US)

(**) Term: **15 Years**

(21) Appl. No.: **29/587,171**

(22) Filed: **Dec. 11, 2016**

(51) **LOC (10) Cl.** **21-01**

(52) **U.S. Cl.**
 USPC **D21/483**

(58) **Field of Classification Search**
 USPC D21/300, 334, 335, 363, 365, 385, 386,
 D21/388, 389, 392, 396, 397, 483, 484,
 D21/488–491, 493, 494, 506, 507, 576,
 D21/621, 627; D25/113–115, 118
 CPC A63F 1/001; A63F 1/003; A63F 1/005;
 A63F 1/006; A63F 1/062; A63F 1/067;
 A63F 1/08; A63F 1/10; A63F 1/12; A63F
 1/14; A63F 7/0017; A63F 7/0023; A63F
 9/20

See application file for complete search history.

(56) **References Cited**

U.S. PATENT DOCUMENTS

D142,673 S * 10/1945 Schirokauer D21/389
 D243,105 S * 1/1977 Radmall D21/386
 4,804,327 A * 2/1989 Miller B43L 1/008
 434/409
 5,575,713 A * 11/1996 Benoit B65C 7/003
 12/142 LC

OTHER PUBLICATIONS

NEO Tracks (Trax) Raceway & Train Systems—Mindscope Products <http://www.mindscopeproducts.com/products/neo-tracks>; 2 pgs.

* cited by examiner

Primary Examiner — George D. Kirschbaum

Assistant Examiner — Joseph J. Kukella

(74) *Attorney, Agent, or Firm* — John S. Artz; Dickinson Wright PLLC

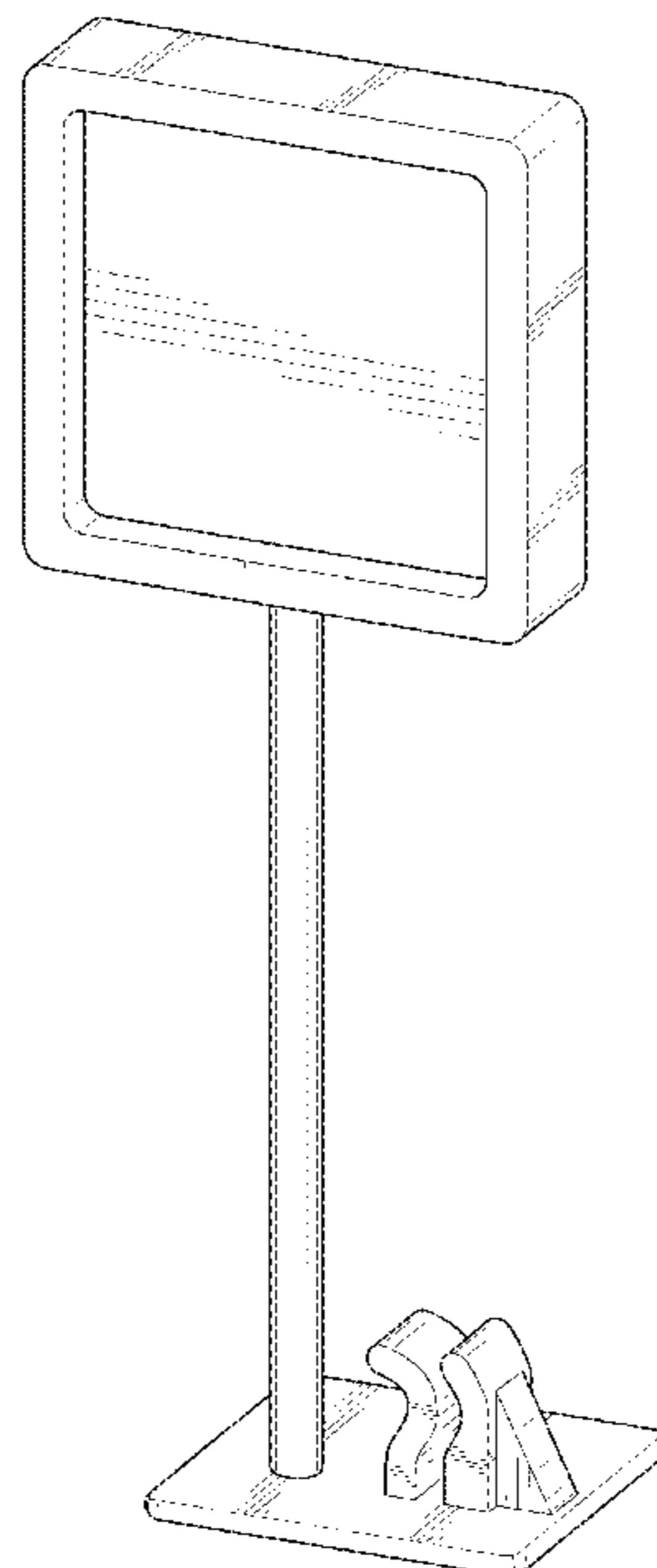
(57) **CLAIM**

The ornamental design for a square toy street sign, as shown and described.

DESCRIPTION

FIG. 1 is a perspective view of a square toy street sign; FIG. 2 is a front view of the square toy street sign of FIG. 1; FIG. 3 is a right side view of the square toy street sign of FIG. 1; FIG. 4 is a left side view of the square toy street sign of FIG. 1; FIG. 5 is a back view of the square toy street sign of FIG. 1; FIG. 6 is a top view of the square toy street sign of FIG. 1; and, FIG. 7 is a bottom view of the square toy street sign of FIG. 1.

1 Claim, 4 Drawing Sheets



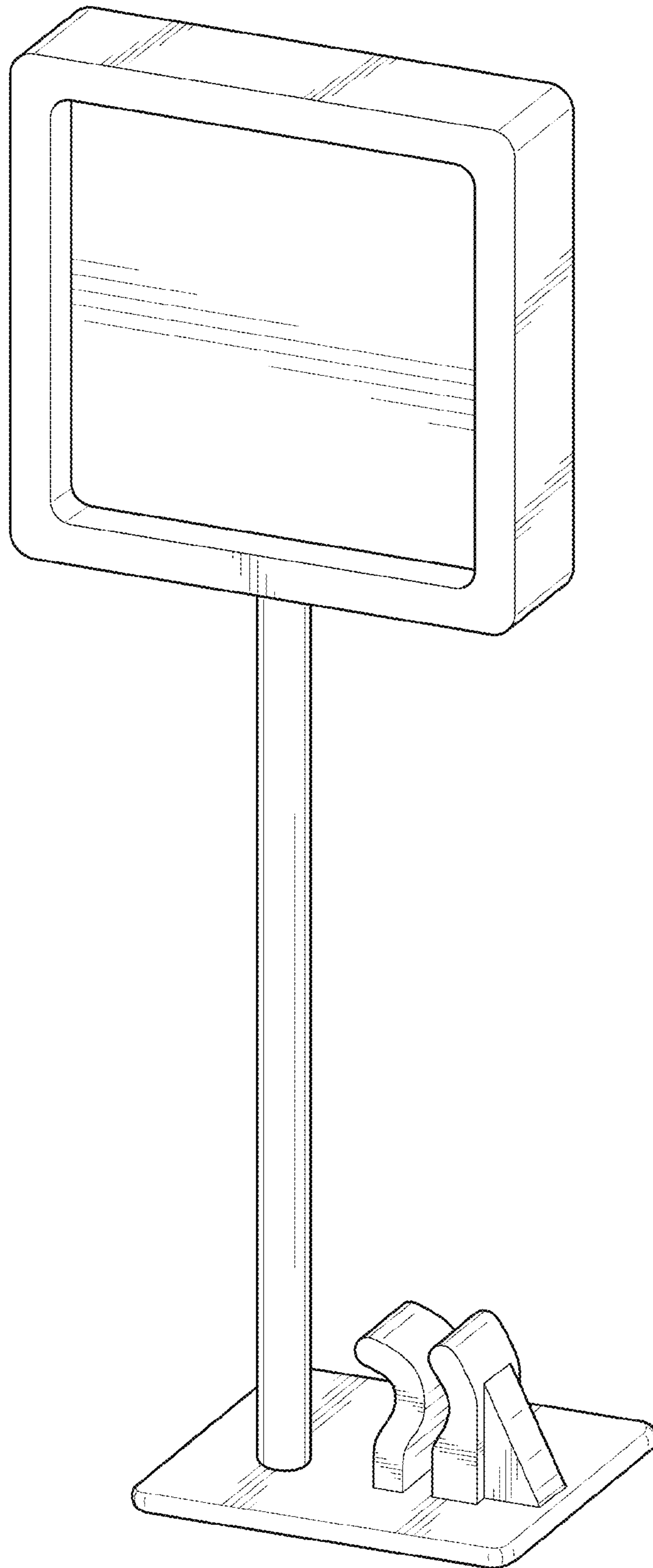


FIG. 1

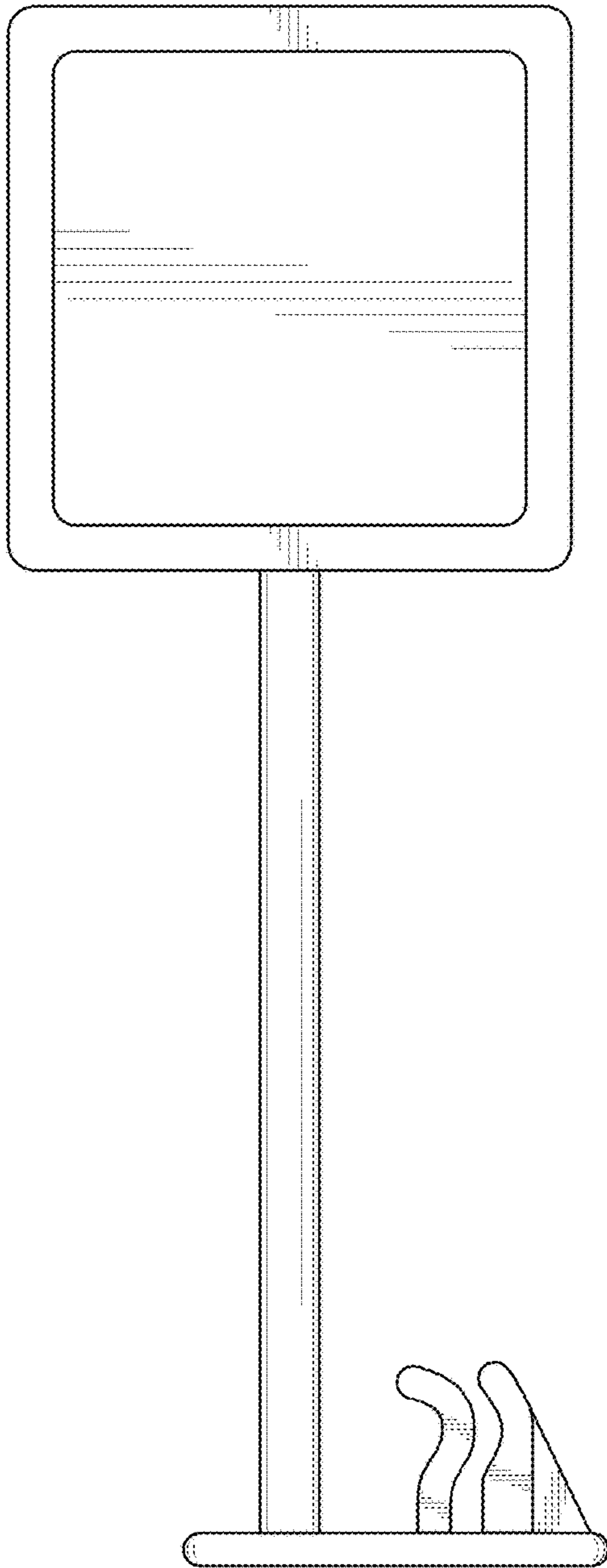


FIG. 2

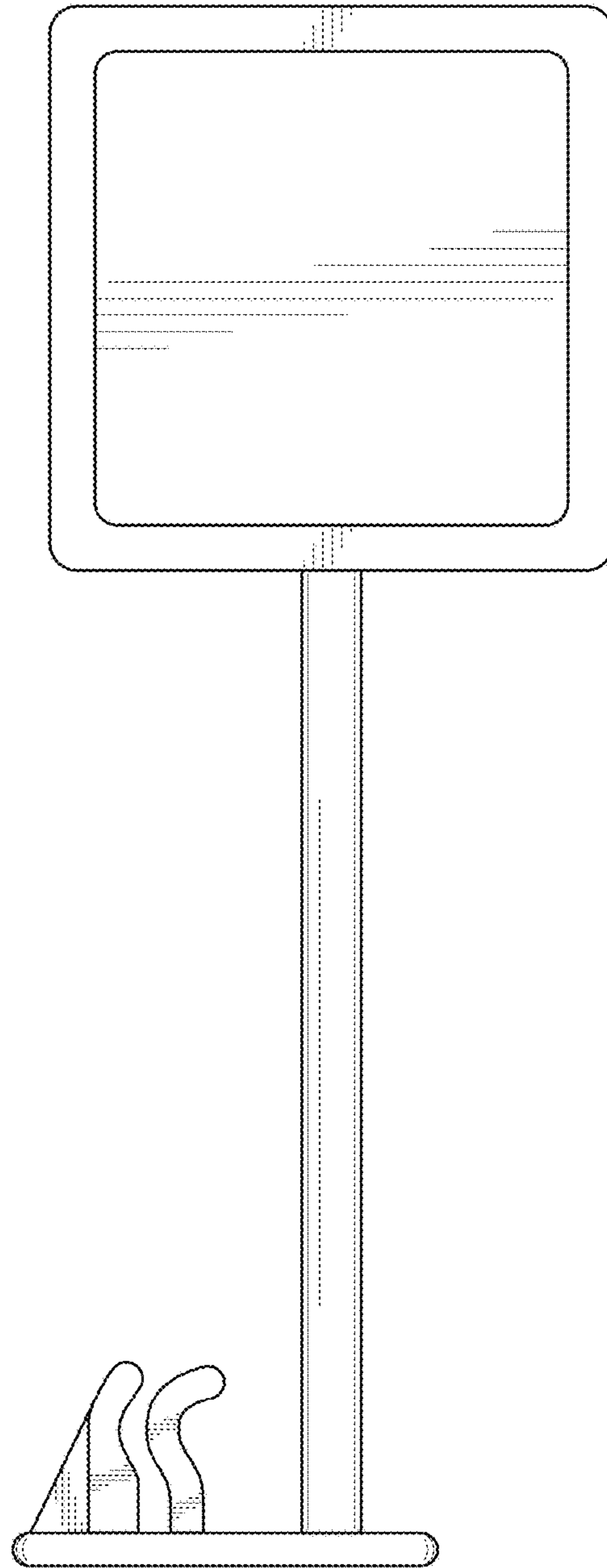


FIG. 3

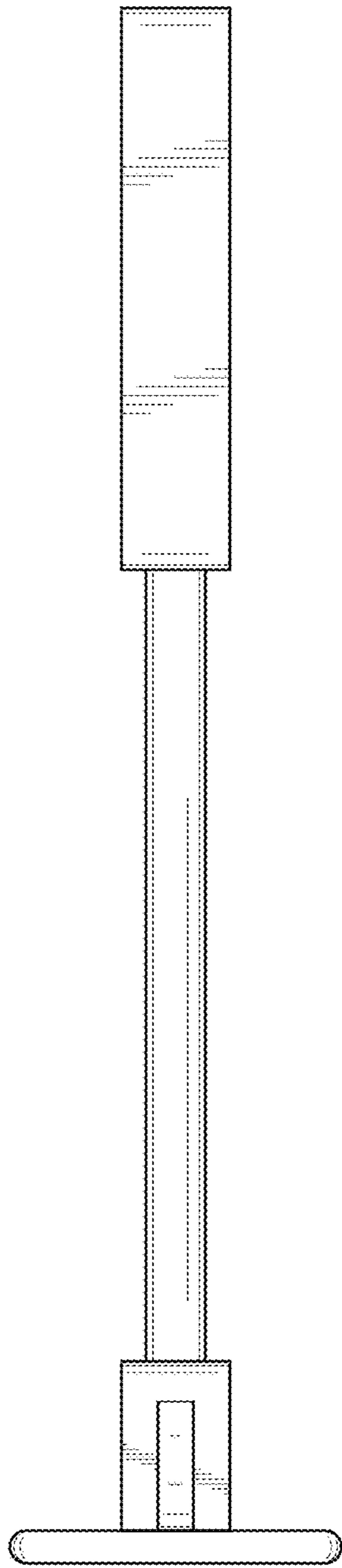


FIG. 4

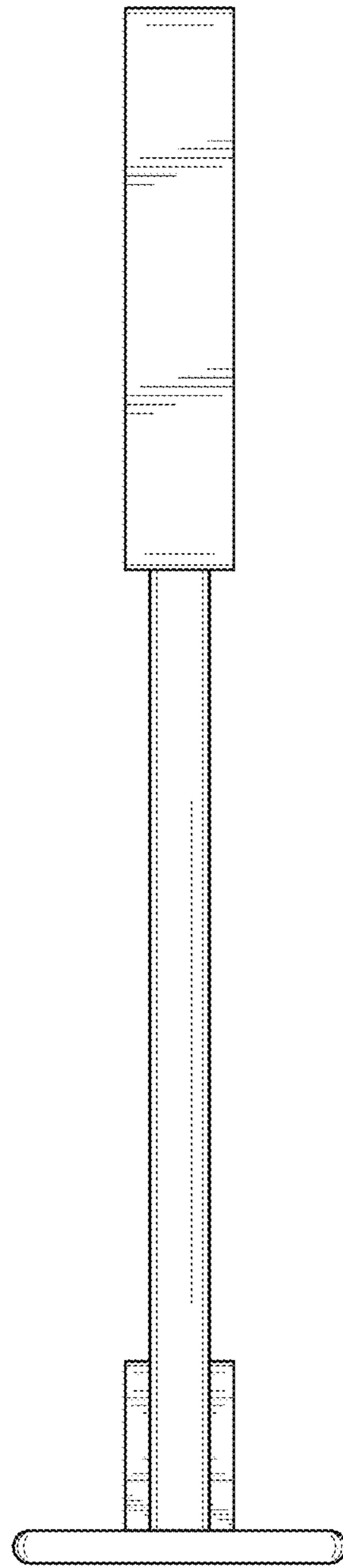


FIG. 5

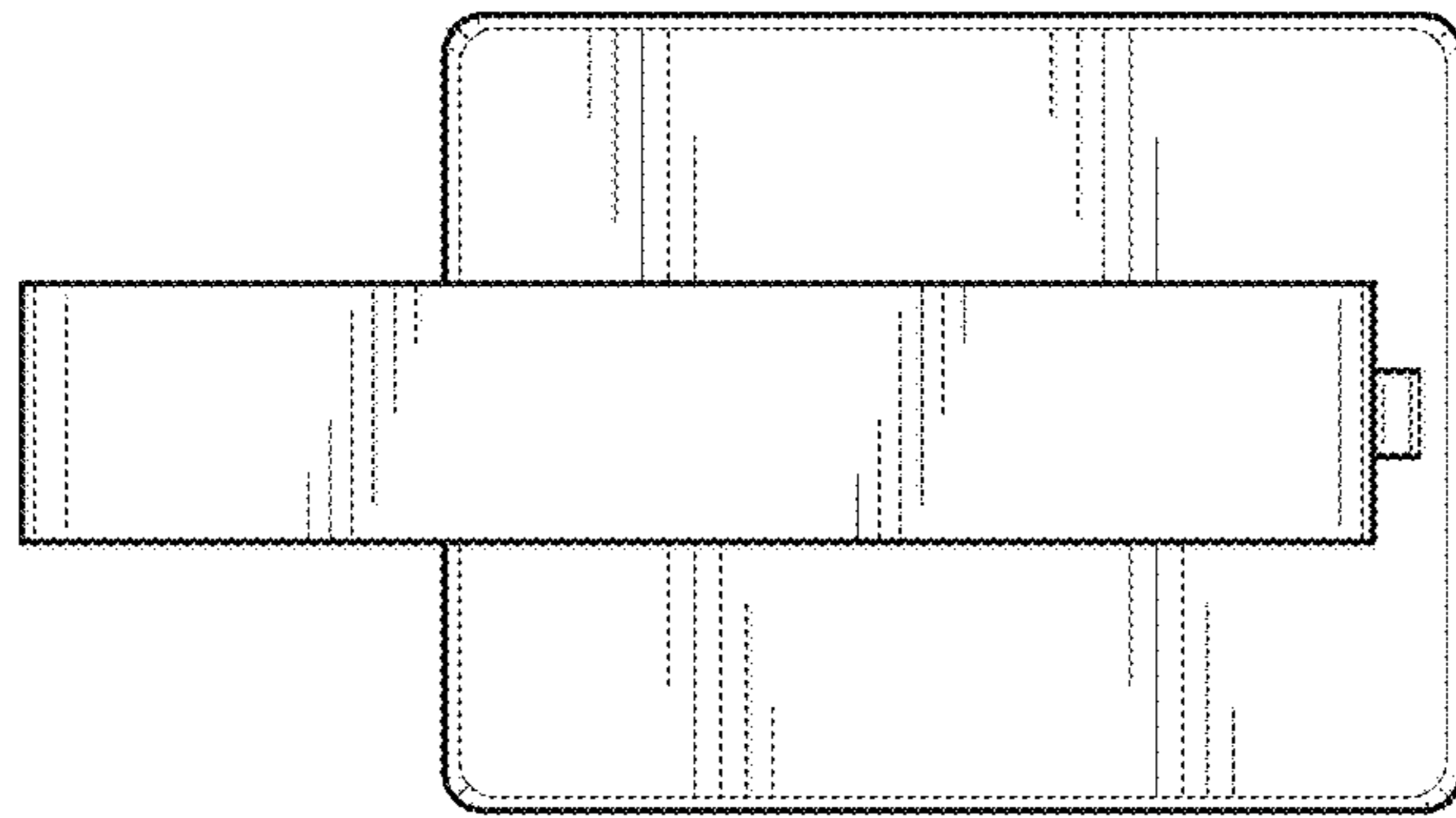


FIG. 6

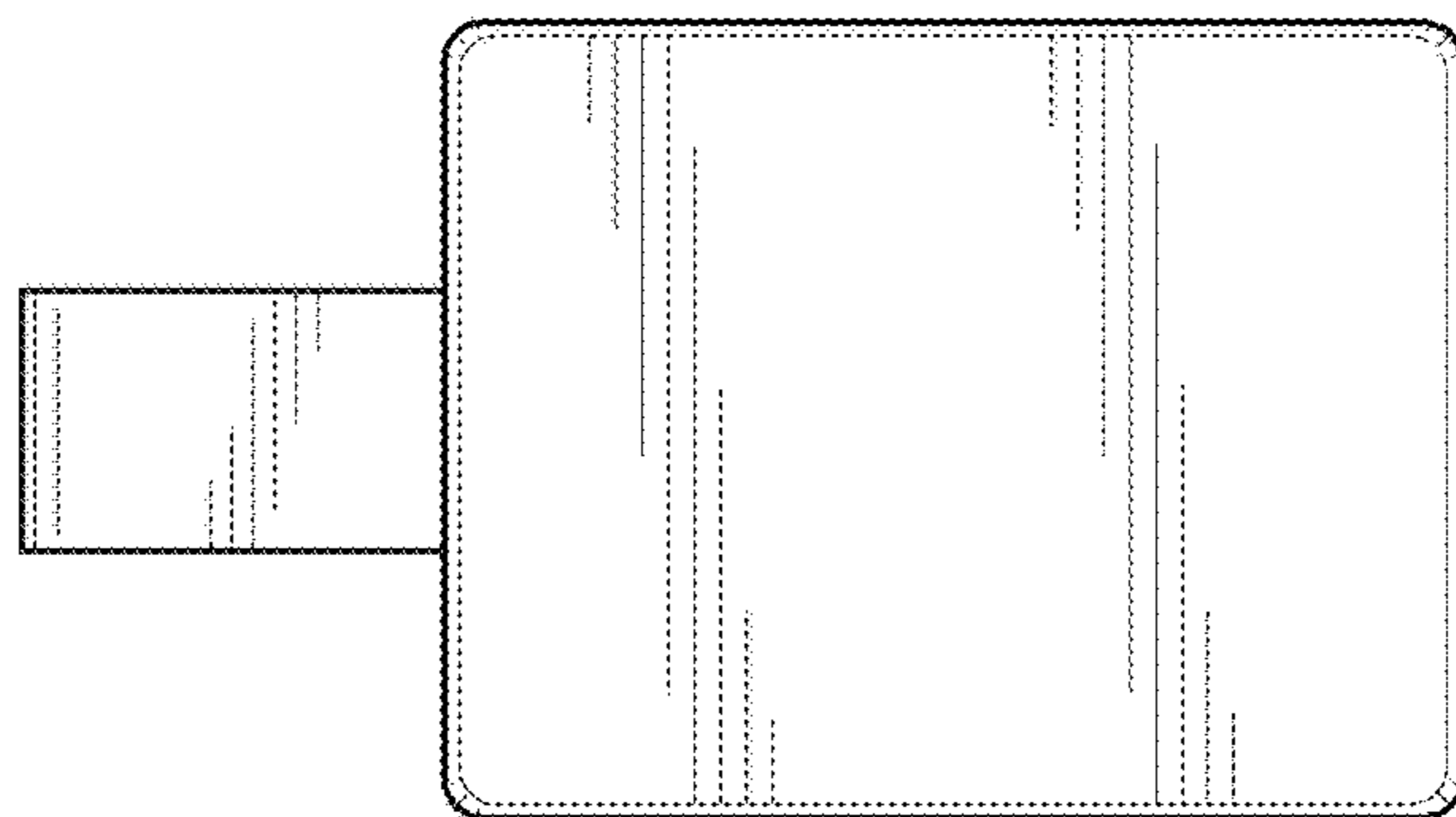


FIG. 7