



US00D804582S

(12) **United States Design Patent** (10) **Patent No.:** **US D804,582 S**
Exley (45) **Date of Patent:** **** Dec. 5, 2017**

(54) **TRIANGULAR TOY STREET SIGN**

6,585,586 B1 * 7/2003 Romero A63F 3/00157
273/274

(71) Applicant: **Ontel Products Corporation**, Fairfield,
NJ (US)

D593,162 S * 5/2009 Sanchez D20/10
D598,053 S * 8/2009 Sanchez D14/159
2008/0028652 A1 * 2/2008 Makhija G09F 3/20
40/606.15

(72) Inventor: **Ross Exley**, Morristown, NJ (US)

(73) Assignee: **Ontel Products Corporation**, Fairfield,
NJ (US)

OTHER PUBLICATIONS

(**) Term: **15 Years**

NEO Tracks (Trax) Raceway & Train Systems—Mindscope Prod-
ucts <http://www.mindscopeproducts.com/products/neo-tracks>; 2
pgs.

(21) Appl. No.: **29/587,169**

* cited by examiner

(22) Filed: **Dec. 11, 2016**

Primary Examiner — George D. Kirschbaum

(51) **LOC (10) Cl.** **21-01**

Assistant Examiner — Joseph J. Kukella

(52) **U.S. Cl.**
USPC **D21/483**

(74) *Attorney, Agent, or Firm* — John S. Artz; Dickinson
Wright PLLC

(58) **Field of Classification Search**
USPC D21/300, 334, 335, 363, 365, 385, 386,
D21/388, 389, 392, 396, 397, 483, 484,
D21/488–491, 493, 494, 506, 507, 576,
D21/621, 627; D25/113–115, 118
CPC A63F 1/001; A63F 1/003; A63F 1/005;
A63F 1/006; A63F 1/062; A63F 1/067;
A63F 1/08; A63F 1/10; A63F 1/12; A63F
1/14; A63F 7/0017; A63F 7/0023; A63F
9/20

(57) **CLAIM**

The ornamental design for a triangular toy street sign, as
shown and described.

See application file for complete search history.

DESCRIPTION

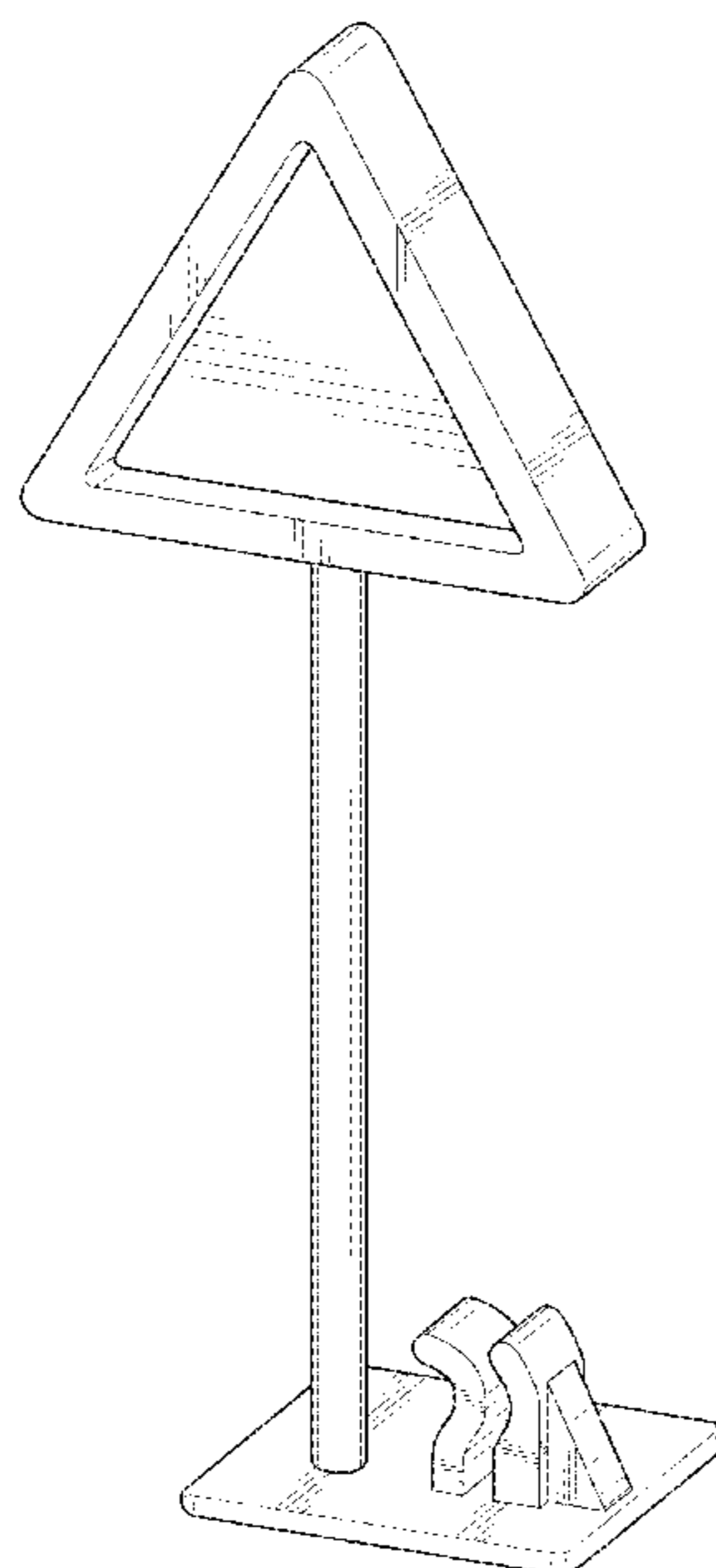
(56) **References Cited**

U.S. PATENT DOCUMENTS

D142,673 S * 10/1945 Schirokauer D21/389
D243,105 S * 1/1977 Radmall D21/386
4,804,327 A * 2/1989 Miller B43L 1/008
434/409
5,575,713 A * 11/1996 Benoit B65C 7/003
12/142 LC

FIG. 1 is a perspective view of a triangular toy street sign;
FIG. 2 is a front view of the triangular toy street sign of FIG.
1;
FIG. 3 is a right side view of the triangular toy street sign of
FIG. 1;
FIG. 4 is a left side view of the triangular toy street sign of
FIG. 1;
FIG. 5 is a back view of the triangular toy street sign of FIG.
1;
FIG. 6 is a top view of the triangular toy street sign of FIG.
1; and,
FIG. 7 is a bottom view of the triangular toy street sign of
FIG. 1.

1 Claim, 4 Drawing Sheets



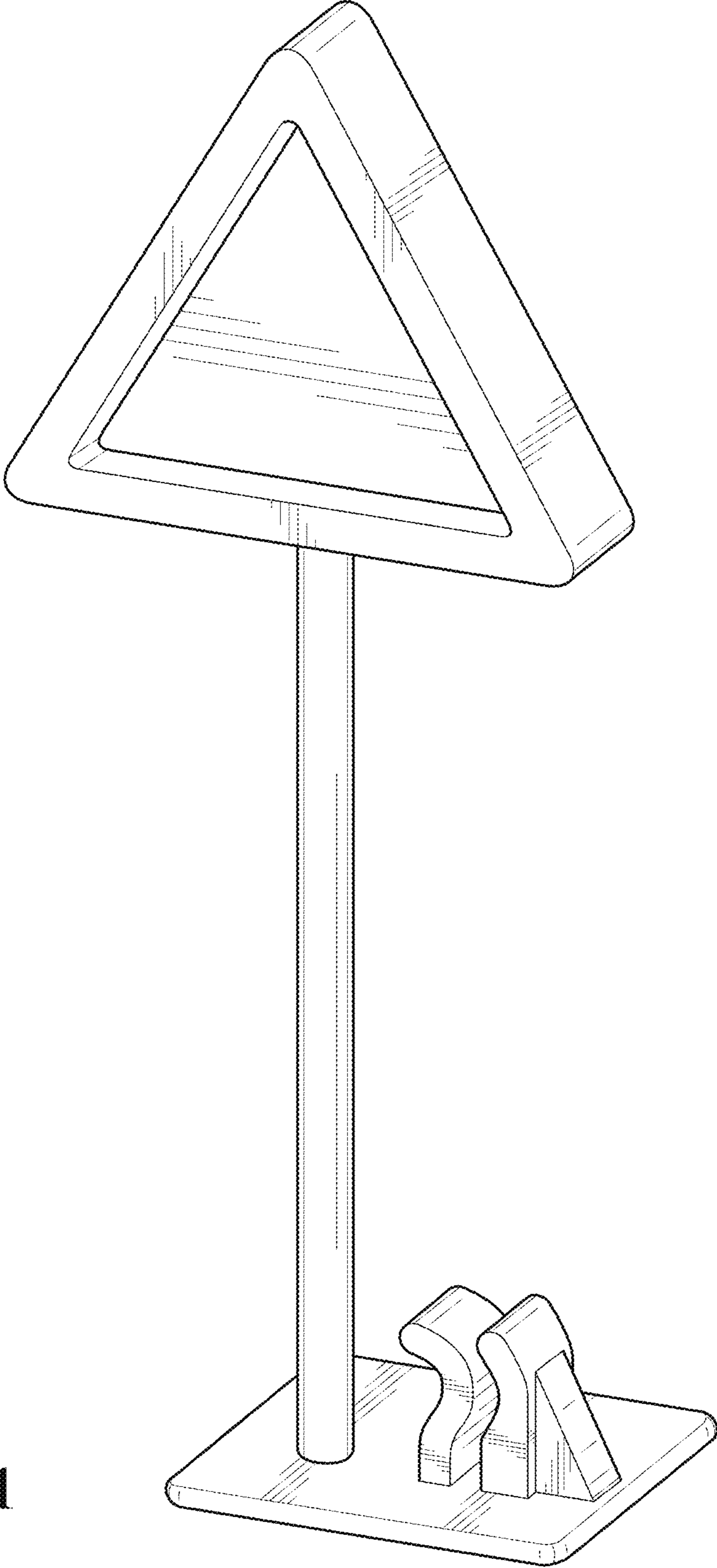


FIG. 1

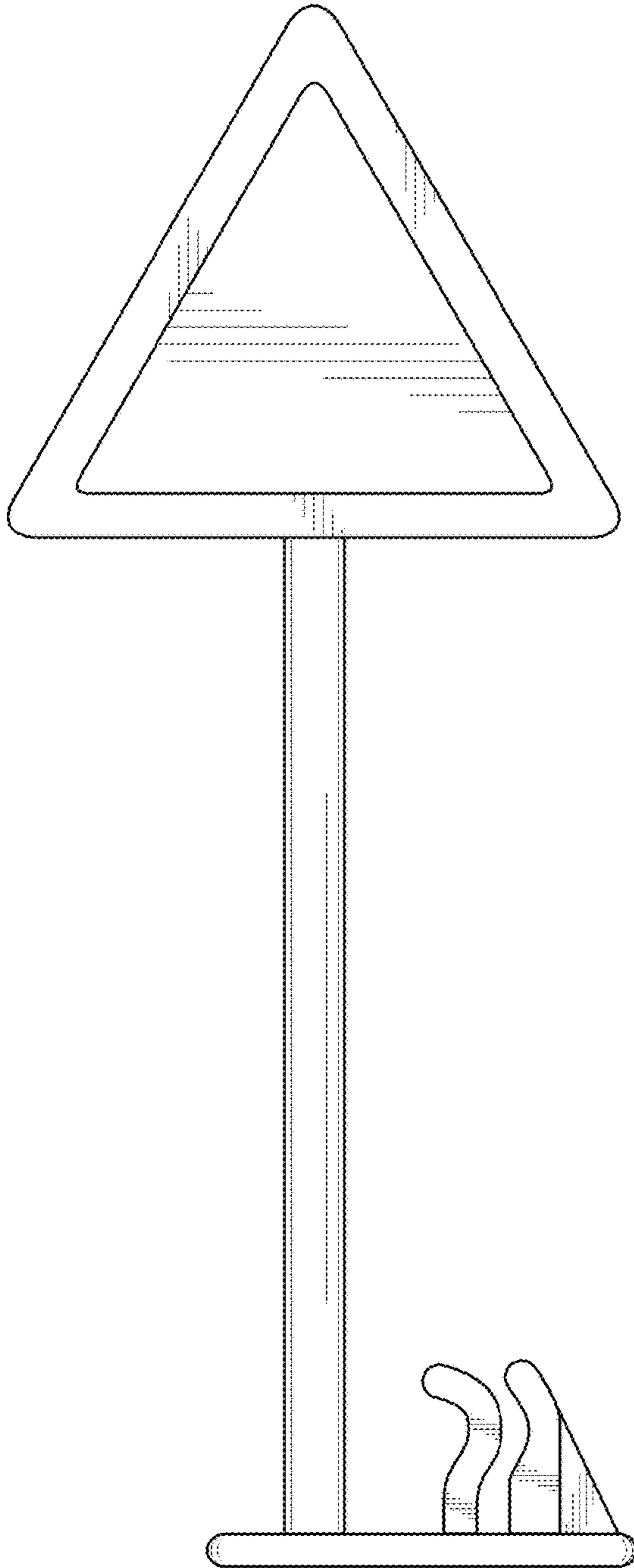


FIG. 2

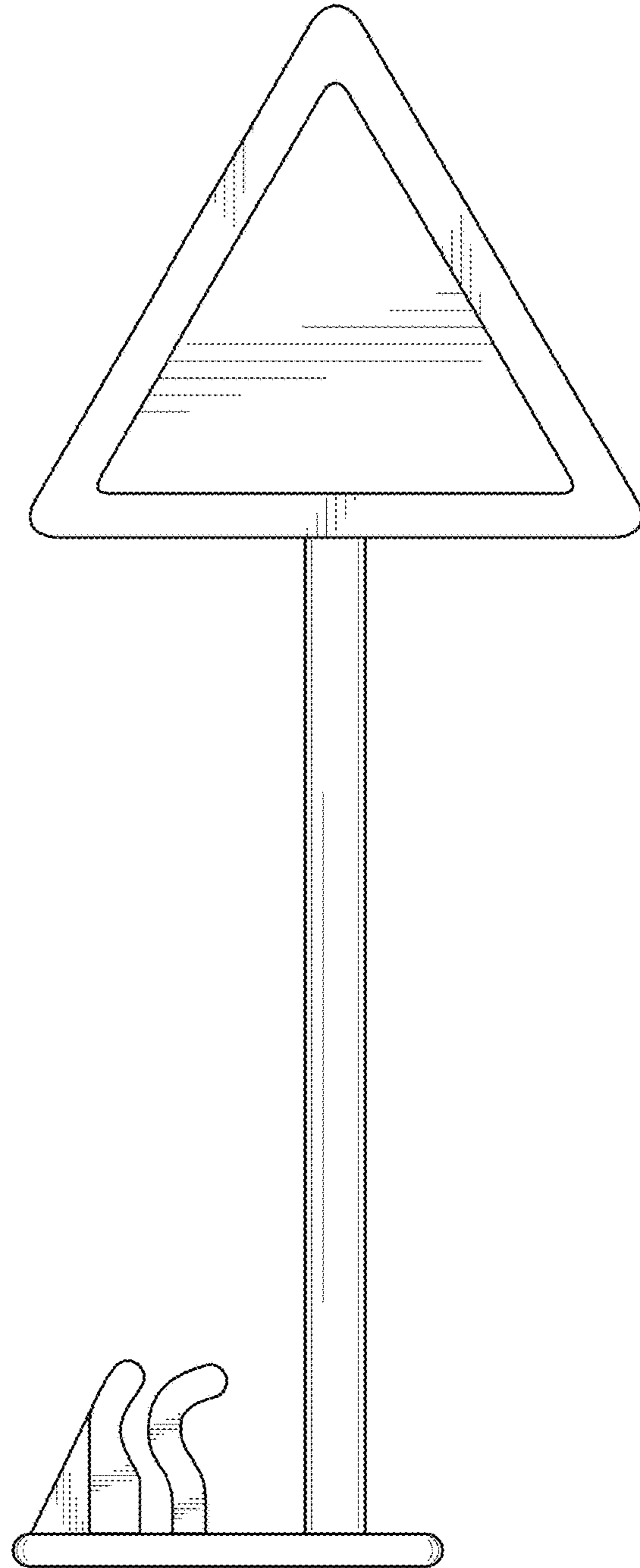


FIG. 3

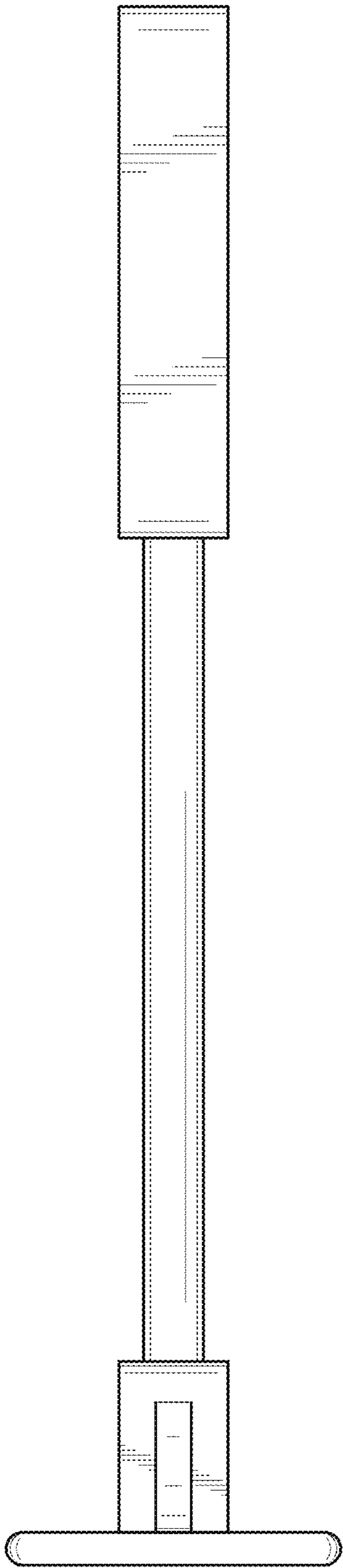


FIG. 4

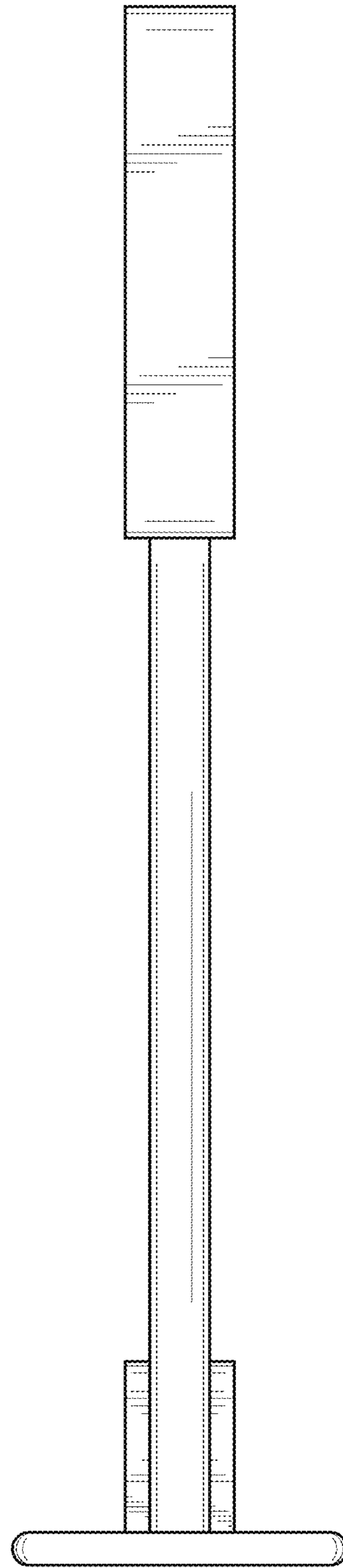


FIG. 5

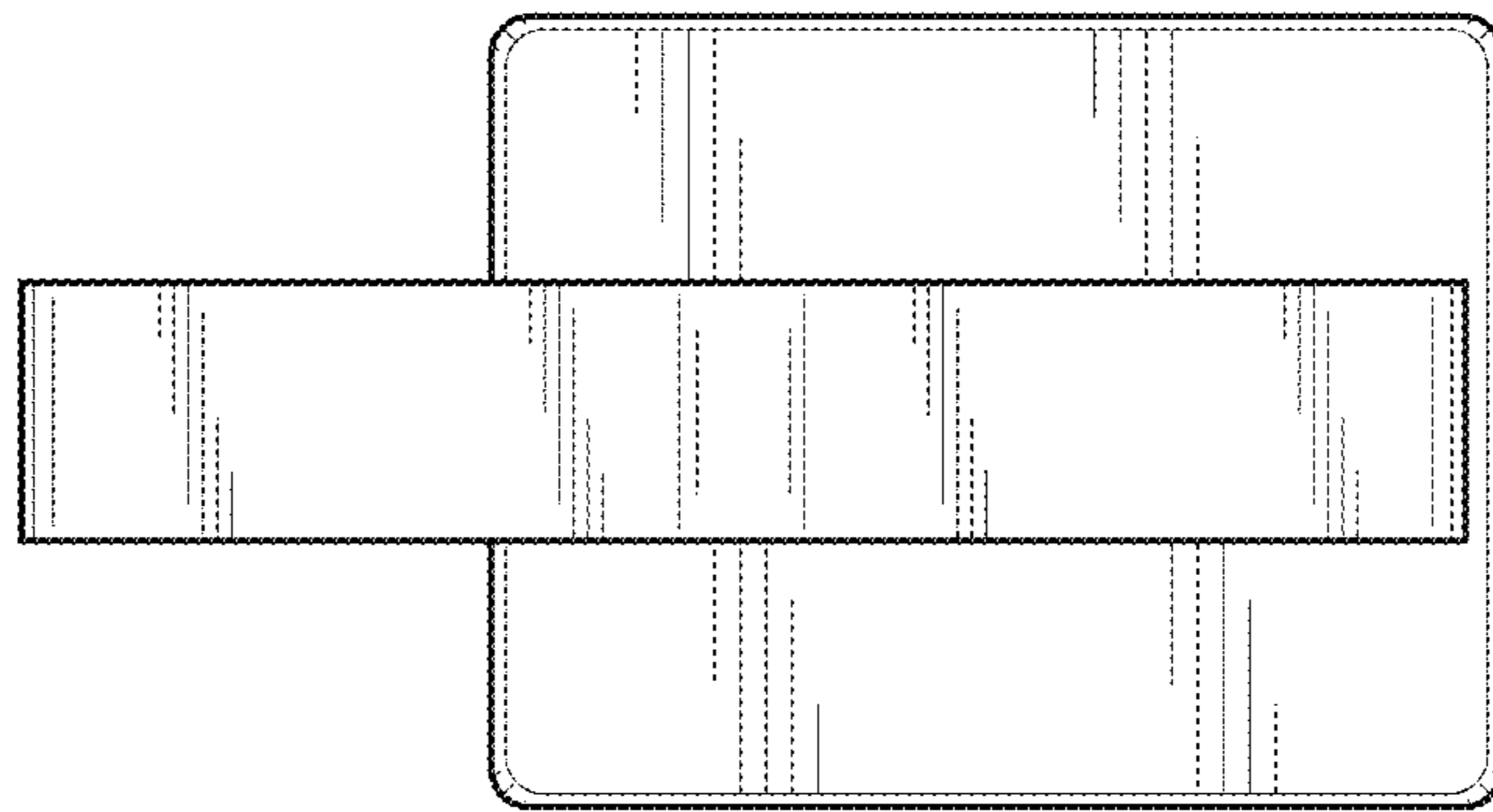


FIG. 6

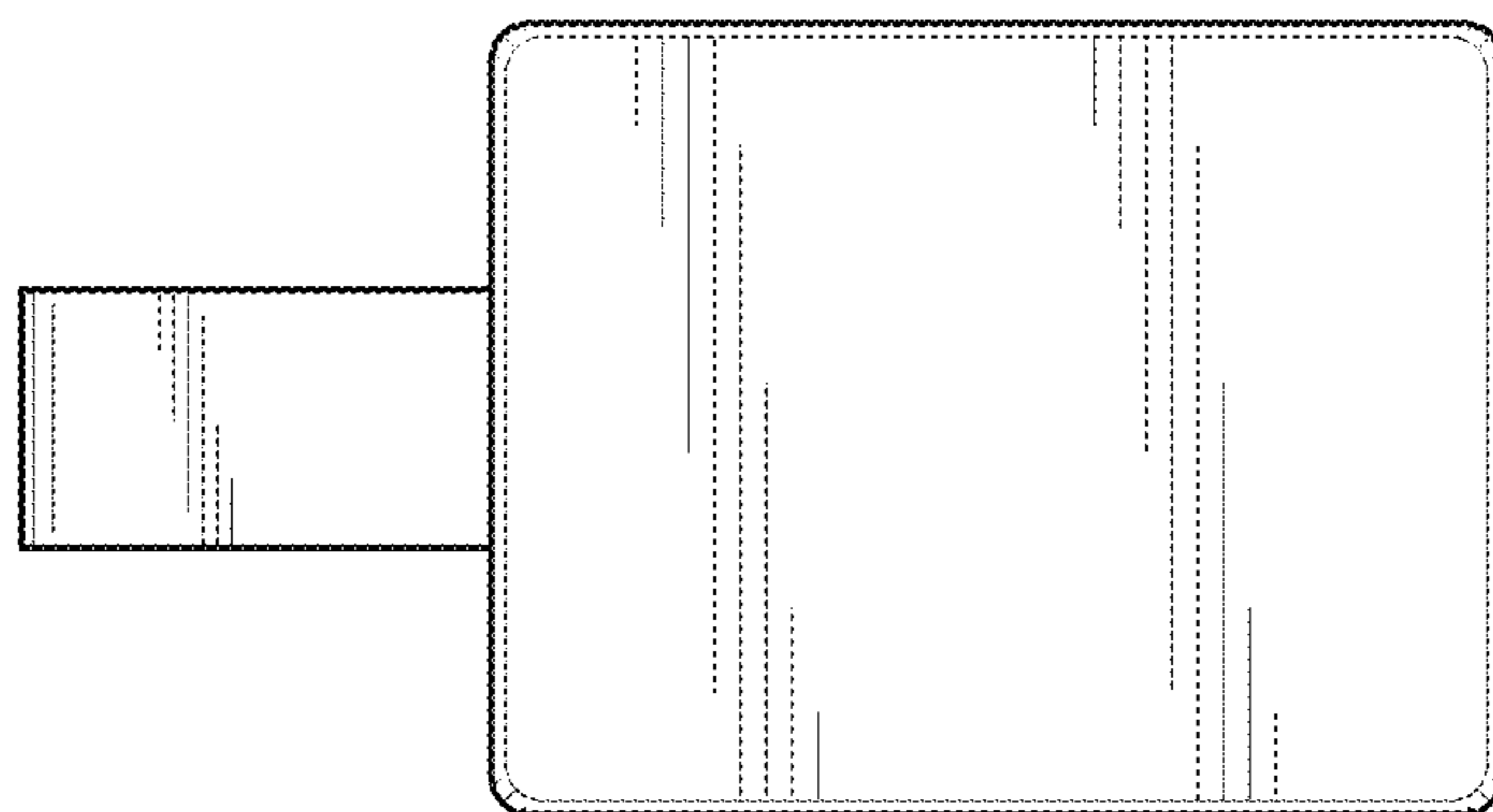


FIG. 7