



US00D804581S

(12) **United States Design Patent** (10) **Patent No.:** **US D804,581 S**  
**Schindele** (45) **Date of Patent:** **\*\* Dec. 5, 2017**

(54) **SCOOTER**  
(71) Applicant: **EMM! SOLUTIONS GMBH**, Weil der Stadt (DE)  
(72) Inventor: **Robin Schindele**, Weil der Stadt (DE)  
(73) Assignee: **EMM! Solutions GmbH**, Weil Der Stadt (DE)  
(\*\*) Term: **15 Years**  
(21) Appl. No.: **35/501,358**  
(22) Filed: **Jun. 10, 2016**

(80) **Hague Agreement Data**  
Int. Filing Date: **Jun. 10, 2016**  
Int. Reg. No.: **DM/091830**  
Int. Reg. Date: **Jun. 10, 2016**  
Int. Reg. Pub. Date: **Aug. 5, 2016**  
(51) **LOC (10) Cl.** ..... **21-00**  
(52) **U.S. Cl.**  
USPC ..... **D21/423**  
(58) **Field of Classification Search**  
USPC ..... D21/419, 423  
CPC . B62H 1/12; B62K 9/00; B62K 15/00; B62K 3/002; B62M 1/36  
See application file for complete search history.

(56) **References Cited**  
U.S. PATENT DOCUMENTS  
5,169,165 A \* 12/1992 Oates ..... B62H 1/12 280/282  
D457,197 S \* 5/2002 Becker ..... D21/423  
D458,563 S \* 6/2002 Jones ..... D12/110  
D513,772 S \* 1/2006 Otis ..... D21/423

7,832,746 B2 \* 11/2010 Peterson ..... B62H 1/12 280/30  
8,794,654 B1 \* 8/2014 Chen ..... B62K 9/00 280/278  
D721,990 S \* 2/2015 Lugo ..... D12/111  
D744,047 S \* 11/2015 Daddoosh ..... D21/423  
D755,899 S \* 5/2016 Castrucci ..... D21/423  
D756,465 S \* 5/2016 Byrne ..... D21/423  
D761,919 S \* 7/2016 Peplowski ..... D21/423  
D772,990 S \* 11/2016 Allais ..... D21/423  
D774,145 S \* 12/2016 Hadley ..... D21/423  
D774,979 S \* 12/2016 Delgatty ..... D12/111  
D777,844 S \* 1/2017 O Connell ..... D21/423  
D782,942 S \* 4/2017 Trifaro ..... D12/112  
2006/0049609 A1 \* 3/2006 Sicz ..... B62M 1/36 280/261  
2006/0232040 A1 \* 10/2006 Franco ..... B62K 15/00 280/278  
2008/0246248 A1 \* 10/2008 Rabadi ..... B62K 3/002 280/281.1

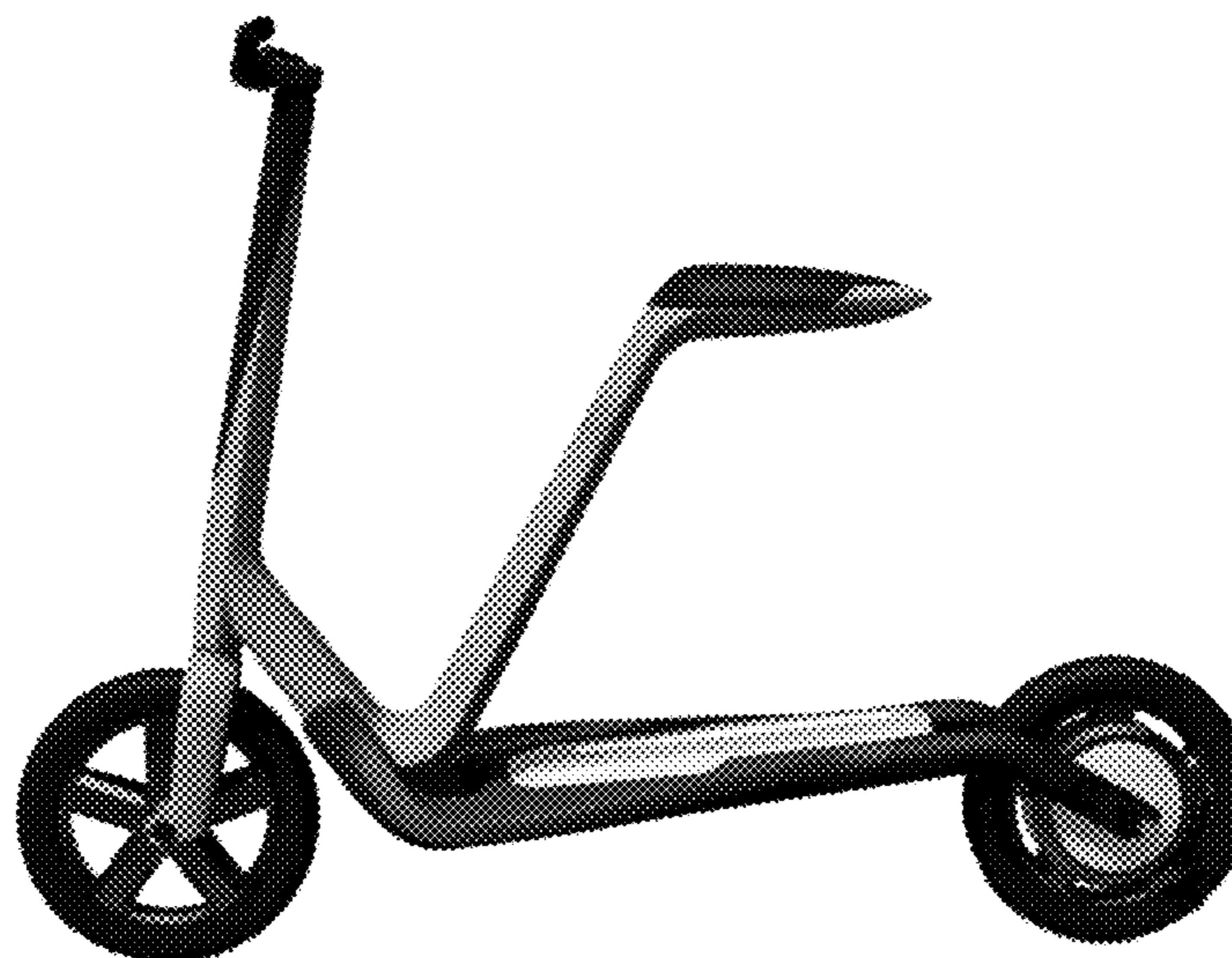
\* cited by examiner  
*Primary Examiner* — George D. Kirschbaum  
(74) *Attorney, Agent, or Firm* — Akerman LLP; Peter A. Chiabotti

(57) **CLAIM**  
The ornamental design for a scooter, as shown and described.

**DESCRIPTION**

- 1. Scooter
- 1.1 is a left side plan view.
- 1.2 is a left front perspective view.
- 1.3 is a left rear perspective view.
- 1.4 is a top view.
- 1.5 is a rear view.
- 1.6 is a front view.

**1 Claim, 6 Drawing Sheets**



1.1



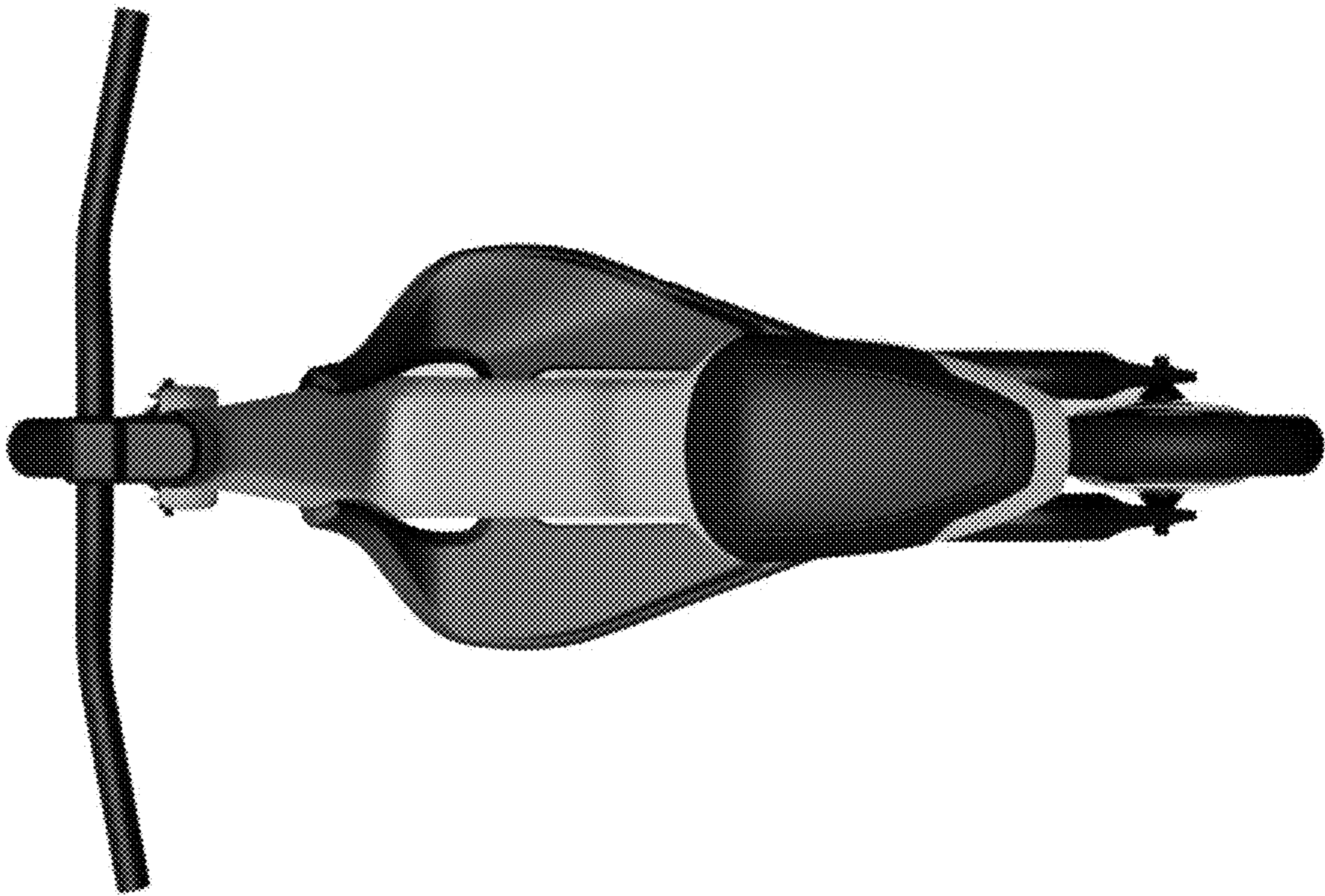
1.2



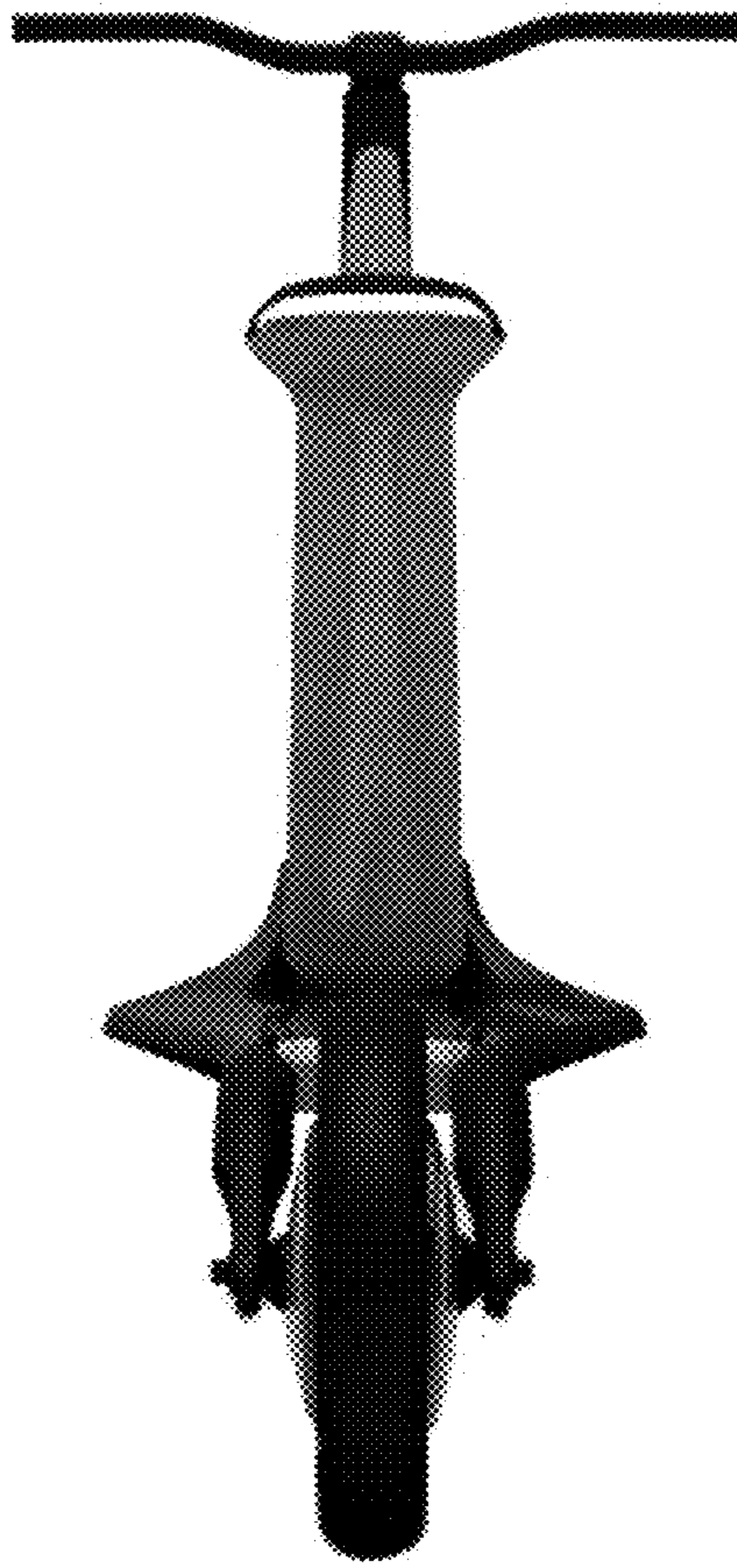
1.3



1.4



1.5



1.6

