



US00D804578S

(12) **United States Design Patent**  
**Loew**

(10) **Patent No.:** **US D804,578 S**  
(45) **Date of Patent:** **\*\* Dec. 5, 2017**

- (54) **ILLUMINATED SIGN**
- (71) Applicant: **BOT HOME AUTOMATION, INC.**,  
Santa Monica, CA (US)
- (72) Inventor: **Christopher Loew**, Palo Alto, CA (US)
- (\*\*) Term: **15 Years**
- (21) Appl. No.: **29/571,280**
- (22) Filed: **Jul. 15, 2016**
- (51) **LOC (10) Cl.** ..... **20-02**
- (52) **U.S. Cl.**  
USPC ..... **D20/41**
- (58) **Field of Classification Search**  
USPC ..... D3/10, 207, 219, 318; D20/10, 22, 27,  
D20/28, 41, 99; D10/109.1, 113.4  
CPC ..... G09F 1/00; G09F 1/02; G09F 2003/023;  
G09F 2003/0261; G09F 2003/0264; G09F  
7/00; G09F 3/206; G09F 2007/1807;  
G09F 13/00; G09F 13/04; G09F  
2013/0427; G09F 2013/0495; G09D 3/00  
See application file for complete search history.

- D425,812 S \* 5/2000 Bodo ..... D10/113.4
- D438,134 S \* 2/2001 Sloven ..... D10/109.1
- D440,512 S \* 4/2001 Mugleston ..... D10/109.1
- D446,379 S \* 8/2001 Taylor ..... D99/29
- 6,519,884 B1 \* 2/2003 Duhamel ..... G09F 7/00  
40/606.19
- D479,561 S \* 9/2003 Meyer ..... D20/22
- D487,406 S \* 3/2004 Anderson ..... D10/109.1
- D498,162 S \* 11/2004 Evans ..... D10/109.1
- D561,260 S \* 2/2008 Ferry ..... D20/19
- D664,055 S \* 7/2012 Call ..... D10/109.1
- D754,014 S \* 4/2016 Hart ..... D10/109.1

(Continued)

*Primary Examiner* — Mary Ann Calabrese  
*Assistant Examiner* — Sloan Rozin

(57) **CLAIM**

The ornamental design for an illuminated sign, as shown and described.

**DESCRIPTION**

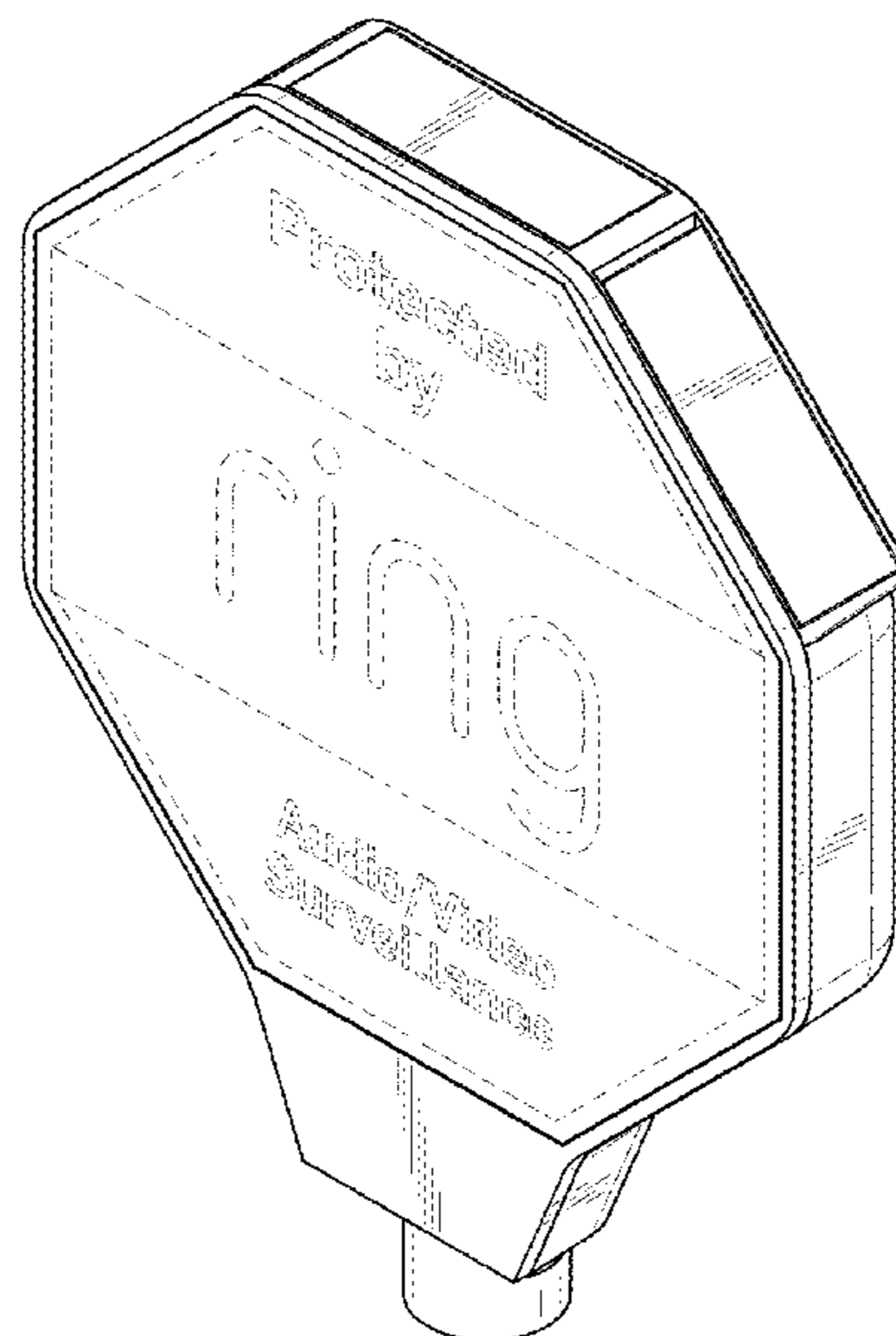
FIG. 1 is a front perspective view of the illuminated sign according to the present design;  
 FIG. 2 is a front elevational view of the illuminated sign of FIG. 1;  
 FIG. 3 is a rear elevational view of the illuminated sign of FIG. 1;  
 FIG. 4 is a right-side elevational view of the illuminated sign of FIG. 1, the left-side elevational view being a mirror image thereof;  
 FIG. 5 is a top plan view of the illuminated sign of FIG. 1;  
 FIG. 6 is a bottom plan view of the illuminated sign of FIG. 1; and,  
 FIG. 7 is a front perspective view of the illuminated sign of FIG. 1, showing the illuminated sign in a manner of use.  
 The broken line showing of elements on the illuminated sign illustrate portions of the article and form no part of the claimed design.

**1 Claim, 6 Drawing Sheets**

(56) **References Cited**

U.S. PATENT DOCUMENTS

- D59,626 S \* 11/1921 Dunlapp ..... D10/109.1
- D60,872 S \* 4/1922 Minoff ..... D10/109.1
- 3,102,352 A \* 9/1963 White ..... G09F 7/18  
248/219.2
- D213,907 S \* 4/1969 Wooter ..... D3/207
- D307,213 S \* 4/1990 Scungio ..... D3/207
- D315,695 S \* 3/1991 DeCaro ..... D10/109.1
- D330,686 S \* 11/1992 Campagna ..... D10/114.9
- D382,218 S \* 8/1997 Hall ..... D10/114.9
- D397,364 S \* 8/1998 Barrett ..... D10/109.1
- D399,260 S \* 10/1998 Thimote ..... D10/109.1
- D407,987 S \* 4/1999 Dittmore ..... D10/109.1
- D410,861 S \* 6/1999 De Winter ..... D10/109.1



(56)

**References Cited**

U.S. PATENT DOCUMENTS

2014/0165437 A1\* 6/2014 Barker ..... G09F 7/00  
40/607.01

\* cited by examiner

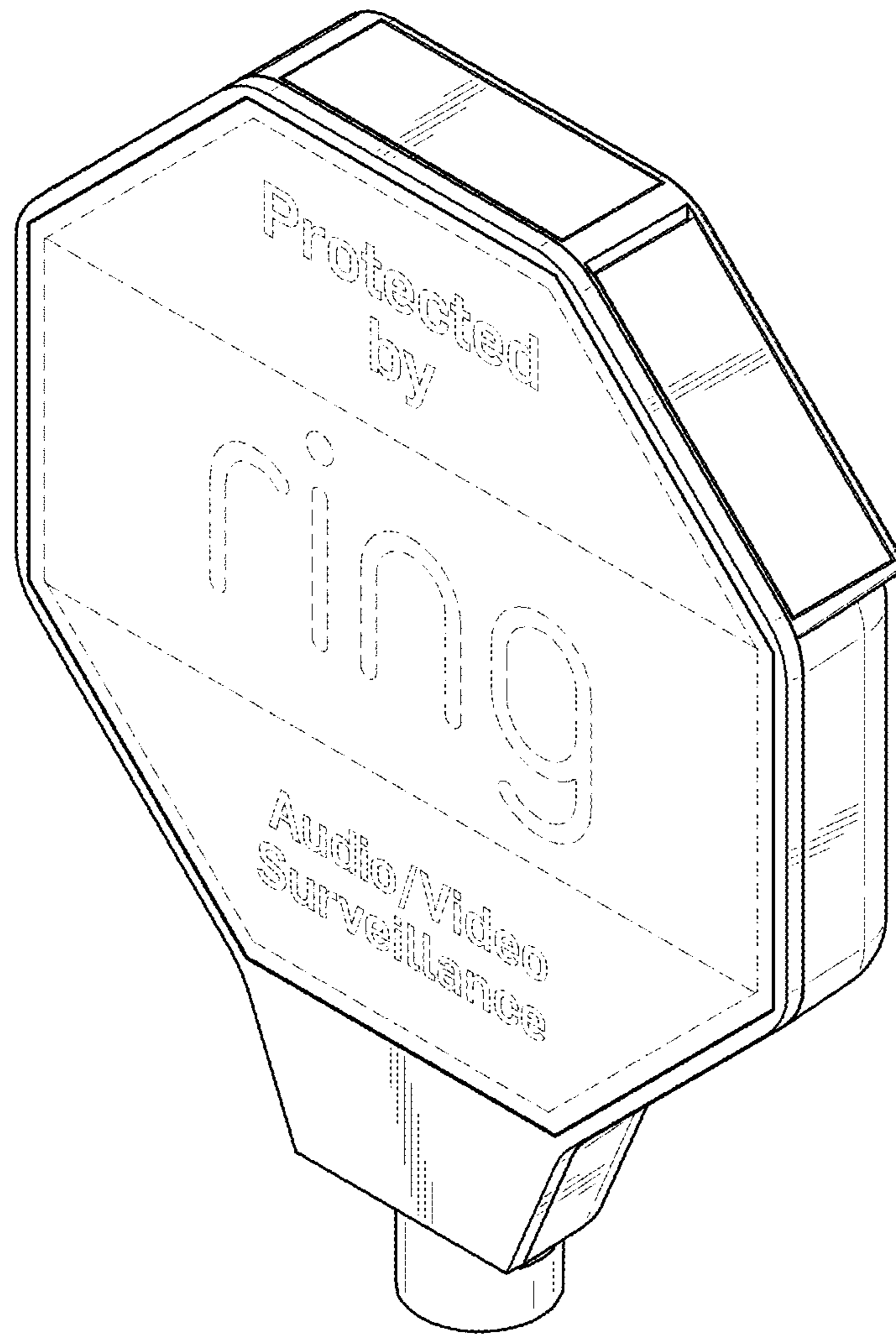


FIG. 1

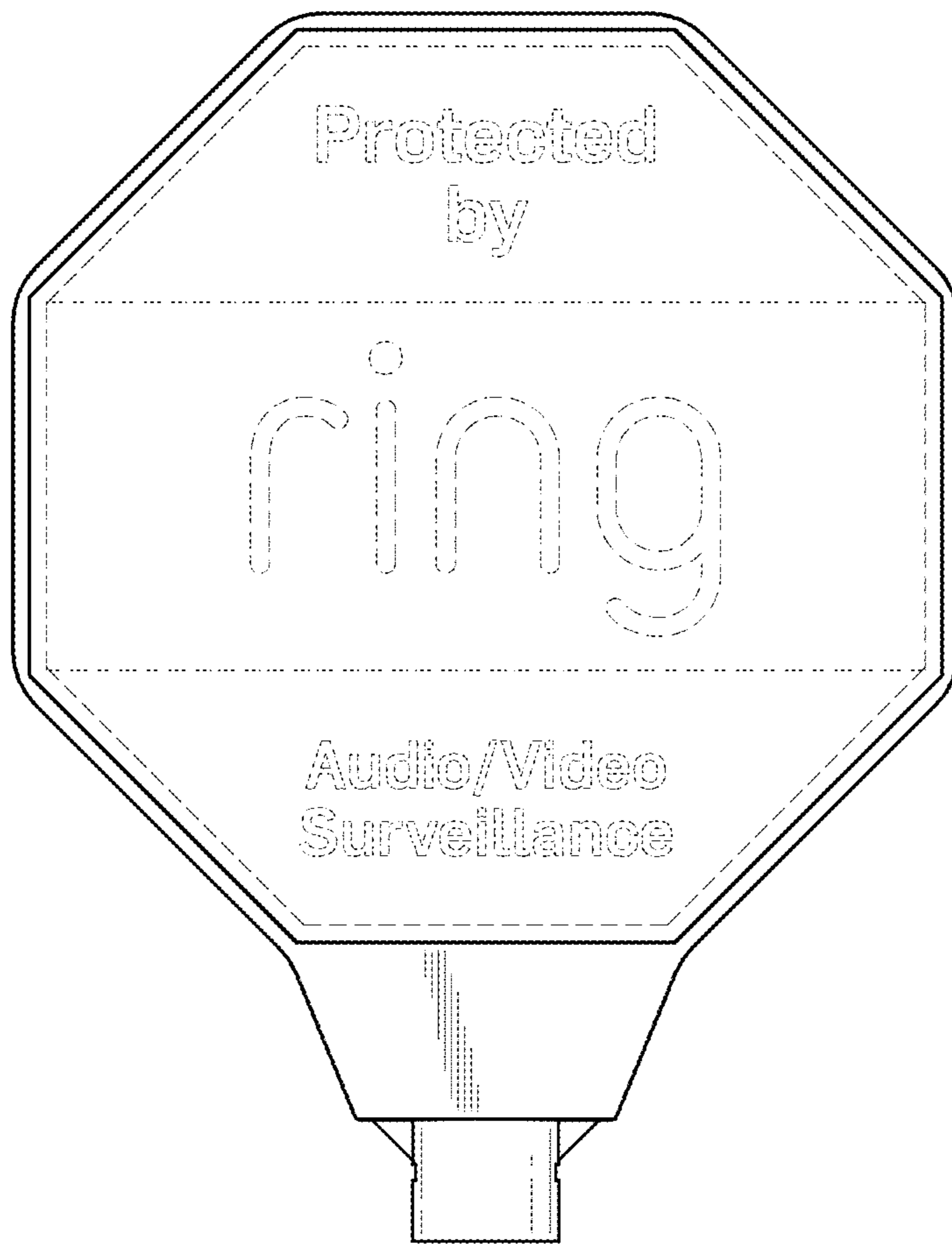


FIG. 2

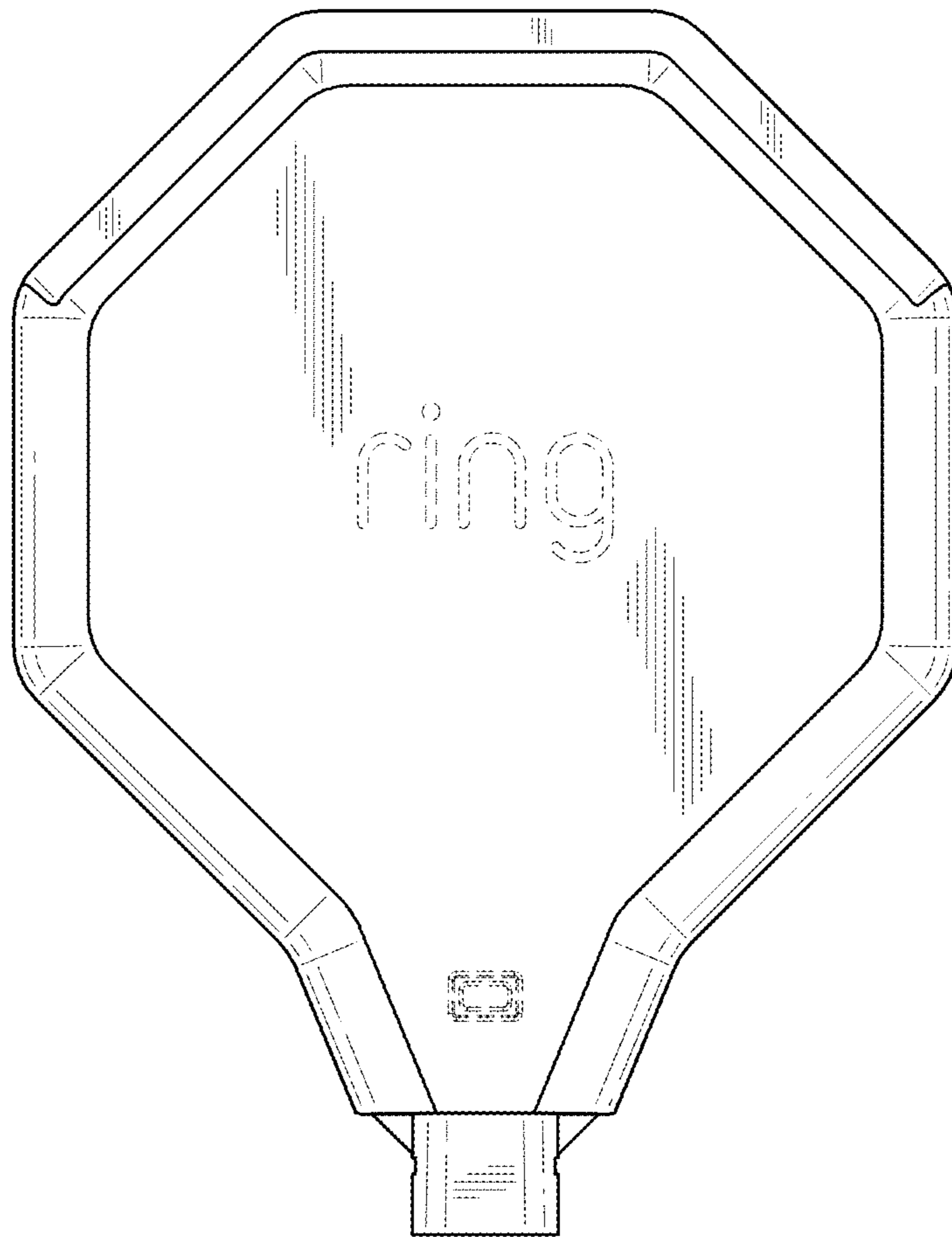


FIG. 3

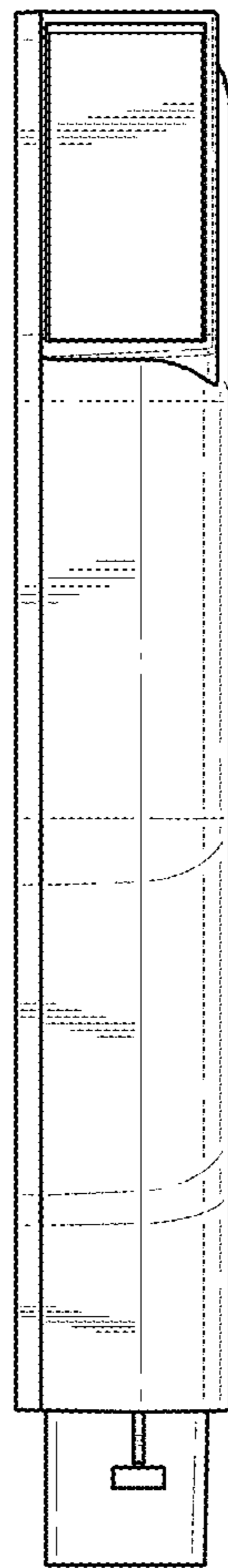


FIG. 4

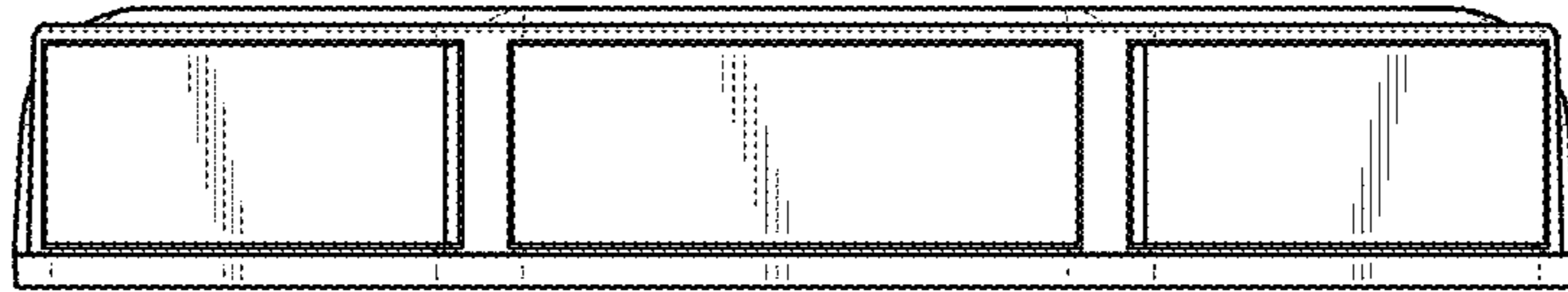


FIG. 5

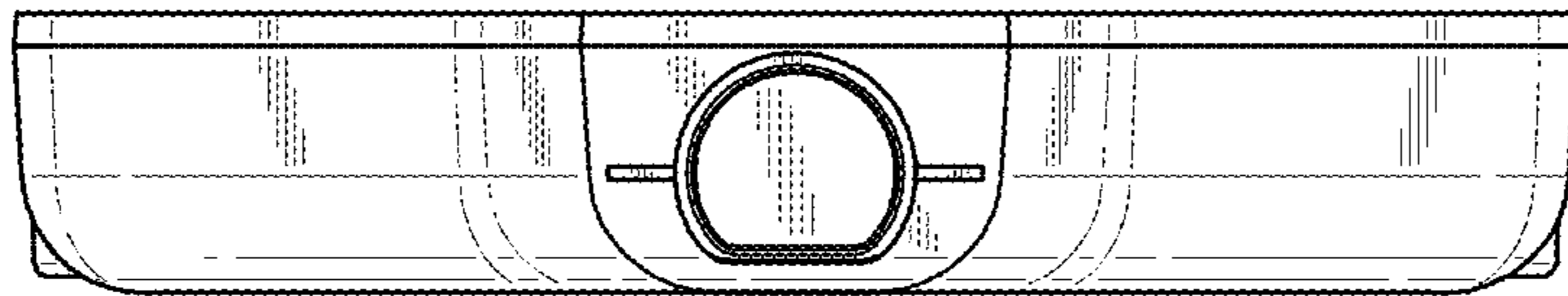


FIG. 6



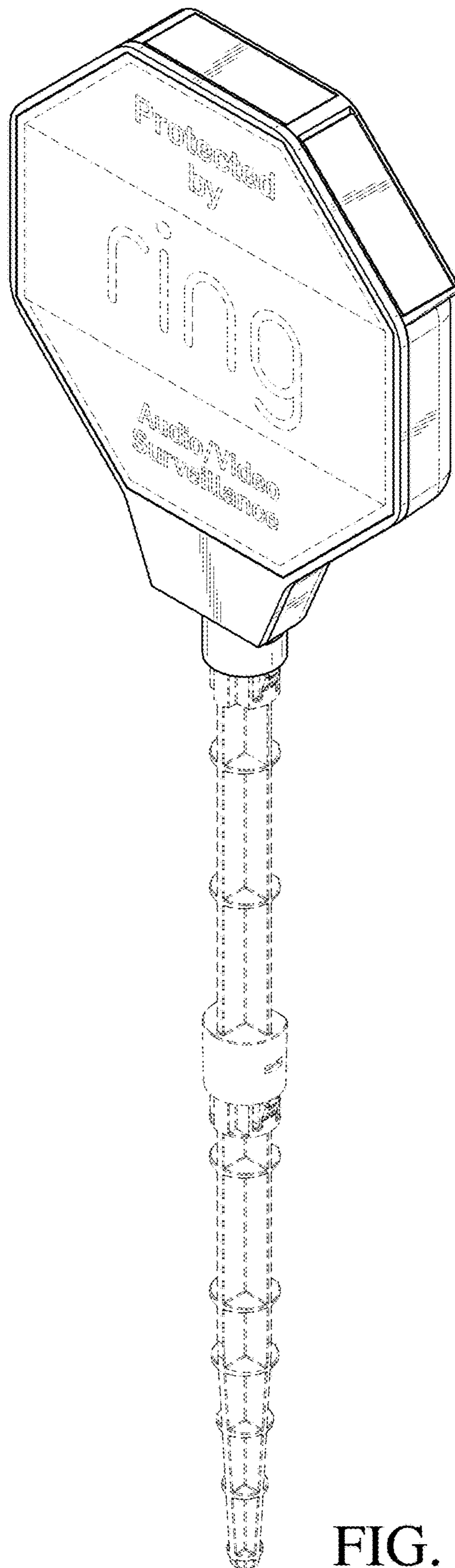


FIG. 7