



US00D804571S

(12) **United States Design Patent**  
**Okene**

(10) **Patent No.:** **US D804,571 S**

(45) **Date of Patent:** **\*\* Dec. 5, 2017**

- (54) **DESK ORGANIZER**
- (71) Applicant: **Oghenemarho John Okene**, Fort Oglethorpe, GA (US)
- (72) Inventor: **Oghenemarho John Okene**, Fort Oglethorpe, GA (US)
- (\*\*) Term: **15 Years**
- (21) Appl. No.: **29/545,215**
- (22) Filed: **Nov. 10, 2015**
- (51) **LOC (10) Cl.** ..... **19-02**
- (52) **U.S. Cl.**  
USPC ..... **D19/78**
- (58) **Field of Classification Search**  
USPC ..... D3/201, 206, 215, 313, 901; D6/512, D6/513, 540, 553, 574, 672; D9/500, D9/519, 549, 428; D19/75, 77-87, 90-92  
CPC .. B43M 99/00; B43M 99/001; B43M 99/002; B43M 99/003; B43M 99/006; B43M 99/008; B43M 99/009  
See application file for complete search history.

|                   |         |            |       |                            |
|-------------------|---------|------------|-------|----------------------------|
| D288,827 S *      | 3/1987  | Wolff      | ..... | D19/69                     |
| D290,852 S *      | 7/1987  | Wang       | ..... | D19/75                     |
| D295,540 S *      | 5/1988  | Rabig      | ..... | D19/90                     |
| 4,765,492 A *     | 8/1988  | Howard     | ..... | A47B 96/06<br>108/61       |
| D298,865 S *      | 12/1988 | Sussman    | ..... | D28/76                     |
| D316,565 S *      | 4/1991  | Rust       | ..... | D19/75                     |
| 5,004,146 A *     | 4/1991  | Thominet   | ..... | B65D 5/48048<br>229/120.31 |
| D317,178 S *      | 5/1991  | Kheng      | ..... | D19/75                     |
| D390,266 S *      | 2/1998  | Cheris     | ..... | D19/77                     |
| D390,268 S *      | 2/1998  | Stravitz   | ..... | D19/75                     |
| D398,078 S *      | 9/1998  | Hsu        | ..... | D19/75                     |
| 5,803,275 A *     | 9/1998  | Schweitzer | ..... | B43M 99/008<br>211/10      |
| D412,057 S *      | 7/1999  | Brown      | ..... | D3/201                     |
| D612,891 S *      | 3/2010  | Chen       | ..... | D19/78                     |
| D713,455 S *      | 9/2014  | Chuang     | ..... | D19/78                     |
| D769,035 S *      | 10/2016 | Williams   | ..... | D6/683.1                   |
| D780,265 S *      | 2/2017  | Greenspon  | ..... | D19/90                     |
| D780,846 S *      | 3/2017  | Greenspon  | ..... | D19/77                     |
| 2006/0196837 A1 * | 9/2006  | Dao        | ..... | A47G 23/0216<br>211/11     |

\* cited by examiner

*Primary Examiner* — Elizabeth Albert

(57) **CLAIM**

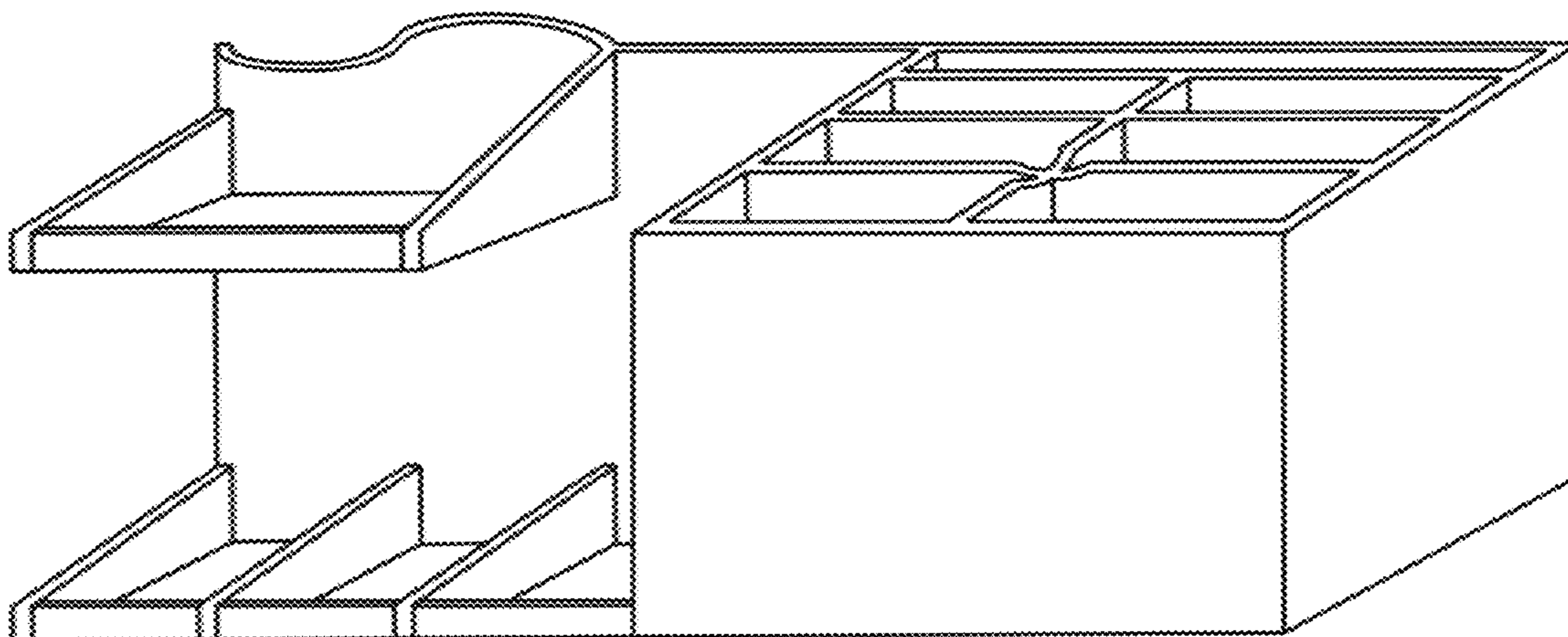
The ornamental design for a desk organizer, as shown and described.

**DESCRIPTION**

FIG. 1 shows a perspective view of a first embodiment of a desk organizer showing my new design.  
FIG. 2 shows a top plan view thereof;  
FIG. 3 shows a perspective view of a second embodiment thereof; and,  
FIG. 4 shows a top plan view thereof.

**1 Claim, 2 Drawing Sheets**

- (56) **References Cited**  
U.S. PATENT DOCUMENTS
- 1,990,398 A \* 2/1935 Beddingfield ..... A47F 3/06  
206/561
- D129,724 S \* 9/1941 Gardner ..... D19/75
- D207,916 S \* 6/1967 White ..... 108/44
- D234,727 S \* 4/1975 Mark ..... D3/273
- D241,683 S \* 9/1976 Mark ..... D28/76
- D252,409 S \* 7/1979 Rose ..... D28/73
- D255,065 S \* 5/1980 Salacuse ..... D28/73
- D270,256 S \* 8/1983 Sankey ..... D19/75
- D270,549 S \* 9/1983 Burton ..... D19/75
- D277,969 S \* 3/1985 Bustos ..... D19/75



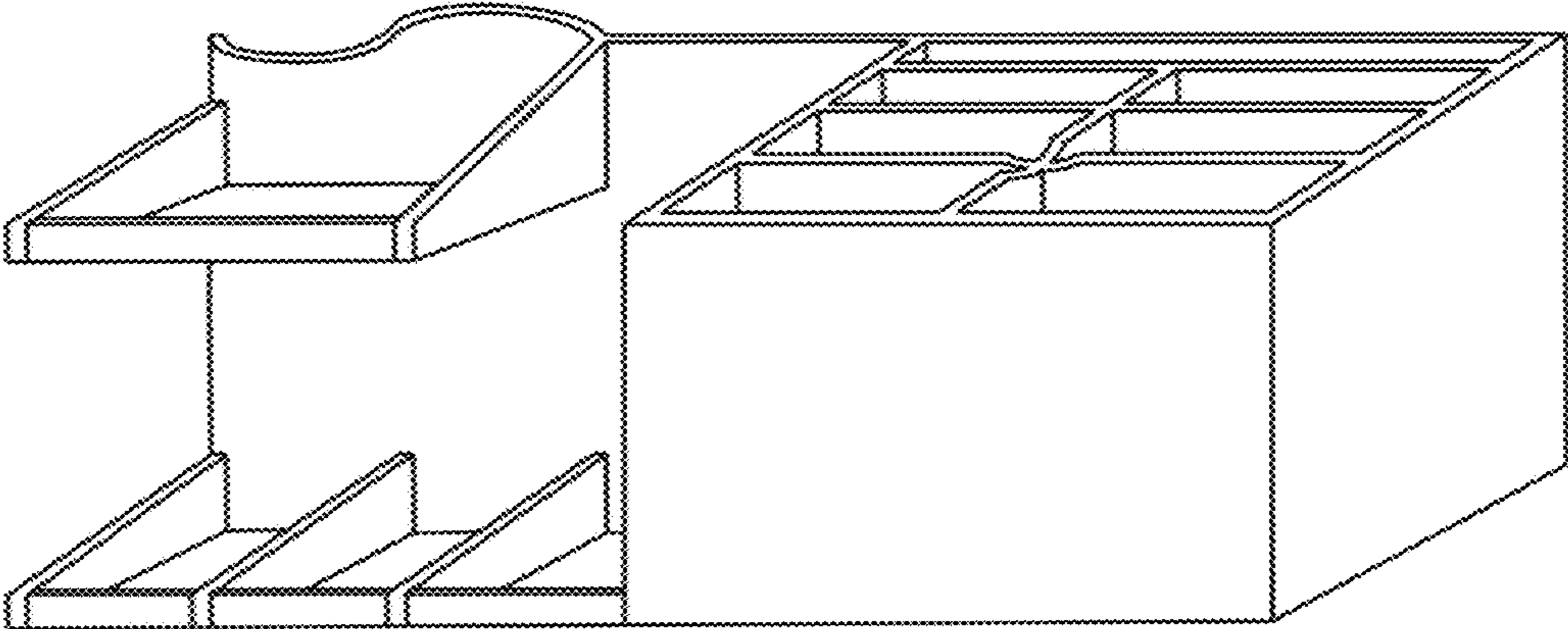


FIG 1

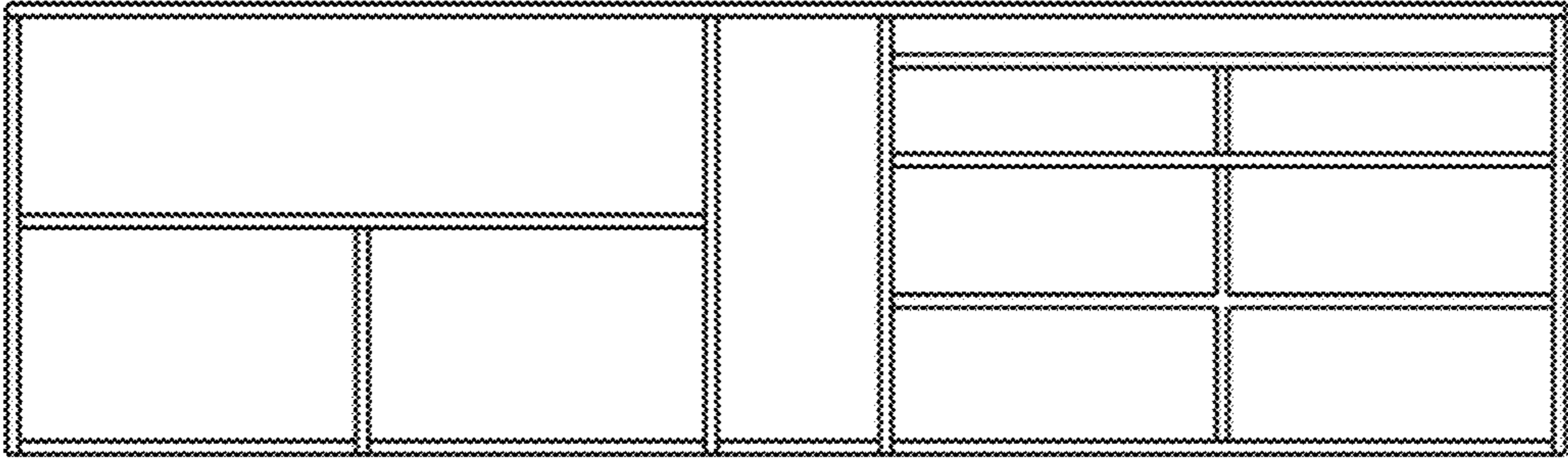


FIG 2

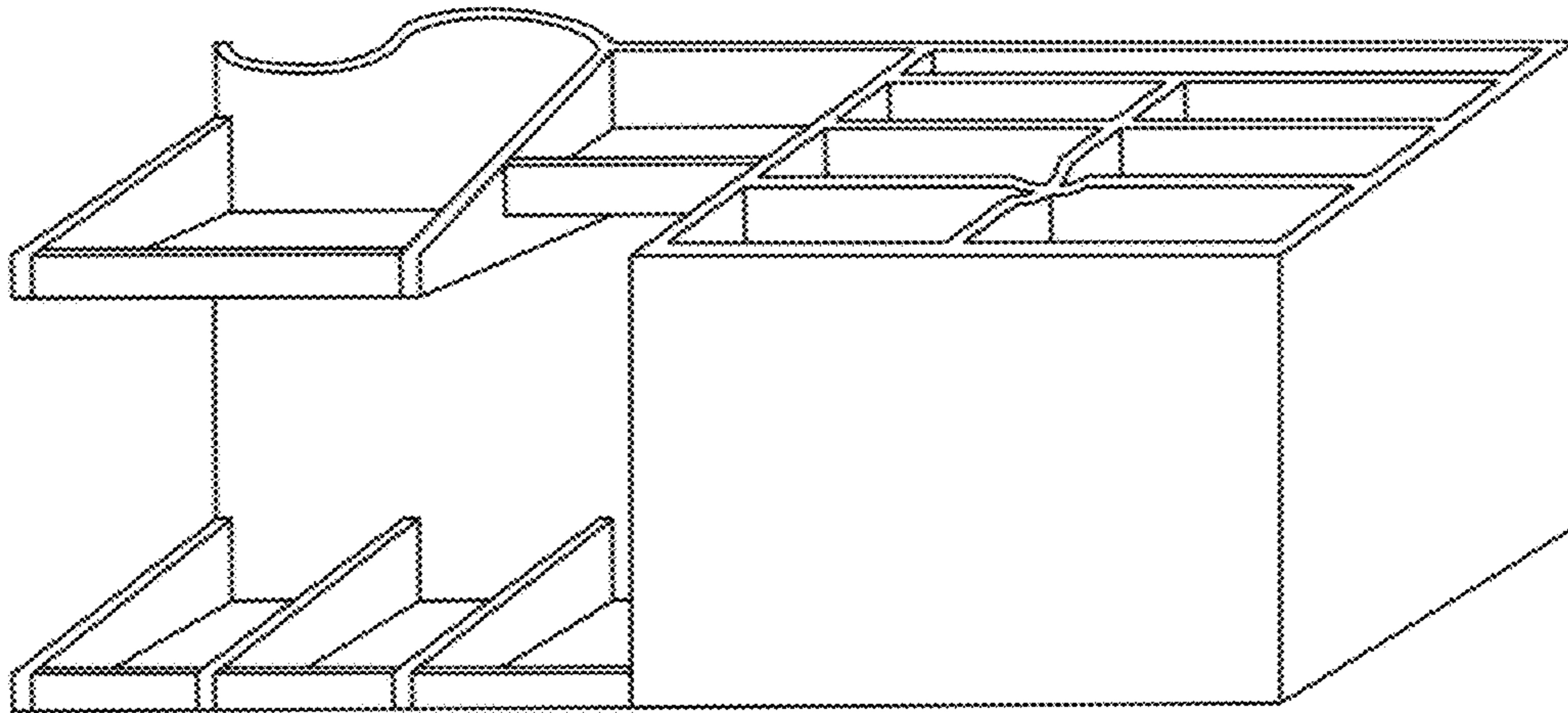


FIG 3

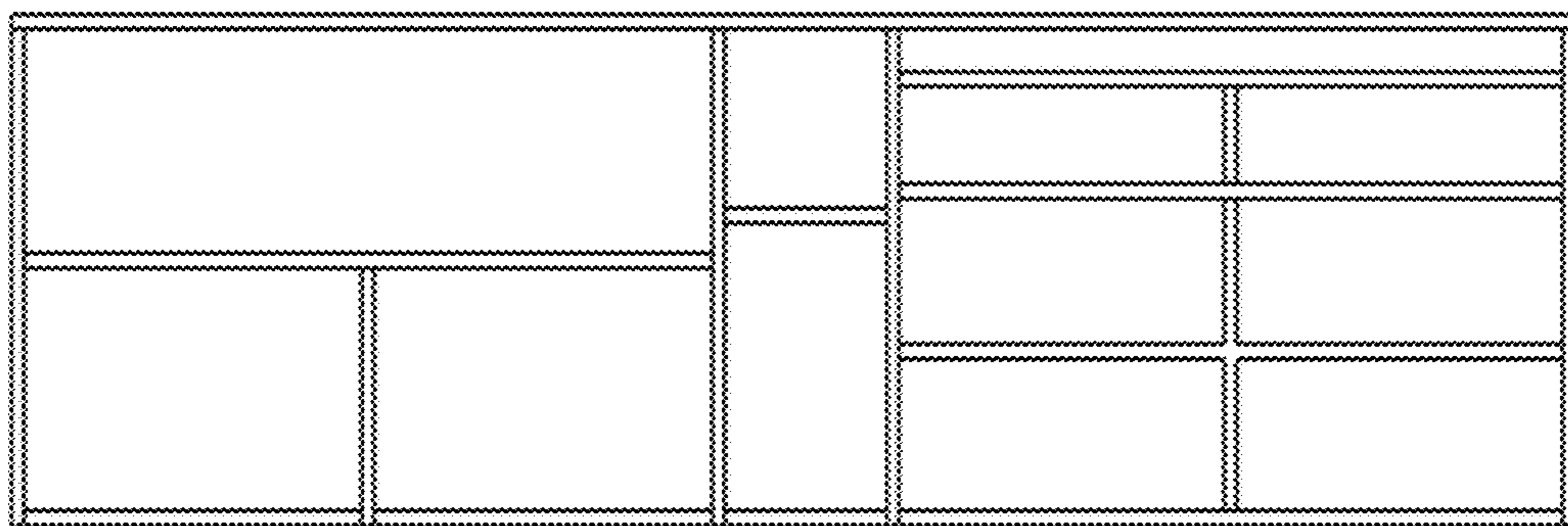


FIG 4