



US00D804568S

(12) **United States Design Patent** (10) **Patent No.:** **US D804,568 S**
Kessler et al. (45) **Date of Patent:** **** Dec. 5, 2017**

(54) **PAYMENT DEVICE**
(71) Applicants: **Ryder Kessler**, New York, NY (US);
Jon Fraser, Cambridge, MA (US);
Joshua Harris, Cambridge, MA (US)
(72) Inventors: **Ryder Kessler**, New York, NY (US);
Jon Fraser, Cambridge, MA (US);
Joshua Harris, Cambridge, MA (US)

D491,335 S * 6/2004 Nwadike D99/34
D515,092 S * 2/2006 Wilfong D14/385
D519,166 S * 4/2006 Chuang D21/479
7,059,477 B2 * 6/2006 Wolf, II B65D 11/04
209/373
D541,003 S * 4/2007 Sachs D99/34
D542,279 S * 5/2007 Chan D14/216
D556,822 S * 12/2007 Hong D18/50
7,321,304 B1 1/2008 Soffer
D561,244 S * 2/2008 Dahl D18/4.6
(Continued)

(**) Term: **15 Years**

(21) Appl. No.: **29/567,249**

(22) Filed: **Jun. 7, 2016**

(51) **LOC (10) Cl.** **18-01**

(52) **U.S. Cl.**
USPC **D18/4.6**

(58) **Field of Classification Search**
USPC D18/3.1, 3.2, 4.1, 4.3, 4.4, 4.5, 4.6, 12,
D18/12.1, 50; D14/300, 314, 336, 337,
D14/341, 346, 371, 373, 374, 375, 376,
D14/383, 385, 386, 420-422, 424, 425,
D14/462, 463, 126, 129; D20/10, 41, 99;
D99/34, 35, 36; D24/224, 227, 229
CPC G07F 7/08; G07F 7/0873; G07F 7/088;
G07F 7/0886; G07F 7/0893; G07F 19/00;
G07G 1/12; G07G 1/00; G07G 1/0018;
G07G 1/01; G06C 20/10; G06C 20/20;
G06K 7/083; A45C 1/12

See application file for complete search history.

(56) **References Cited**

U.S. PATENT DOCUMENTS

D262,749 S * 1/1982 Taivalvu 232/4 R
D323,490 S * 1/1992 Jarilla-Valiente D14/385
D335,300 S * 5/1993 Ishii D18/15
D406,118 S * 2/1999 Koivisto D14/385
D408,376 S * 4/1999 Su D14/385
D415,473 S * 10/1999 Su D14/385
D421,275 S * 2/2000 Frenkler D20/2
D425,881 S * 5/2000 Borza D14/384

OTHER PUBLICATIONS

DipJar-the-illustrated-guide-to-product-development-part-2-design.
blog.bolt.io (Online) 4 pgs. Posted Oct. 20, 2015. [retrieved on Mar.
29, 2017] <https://blog.bolt.io/the-illustrated-guide-to-product-development-part-2-design-ab69efb8084a>.*

(Continued)

Primary Examiner — Susan Bennett Hattan
Assistant Examiner — Marie D. Fast Horse
(74) *Attorney, Agent, or Firm* — Cooper & Dunham LLP

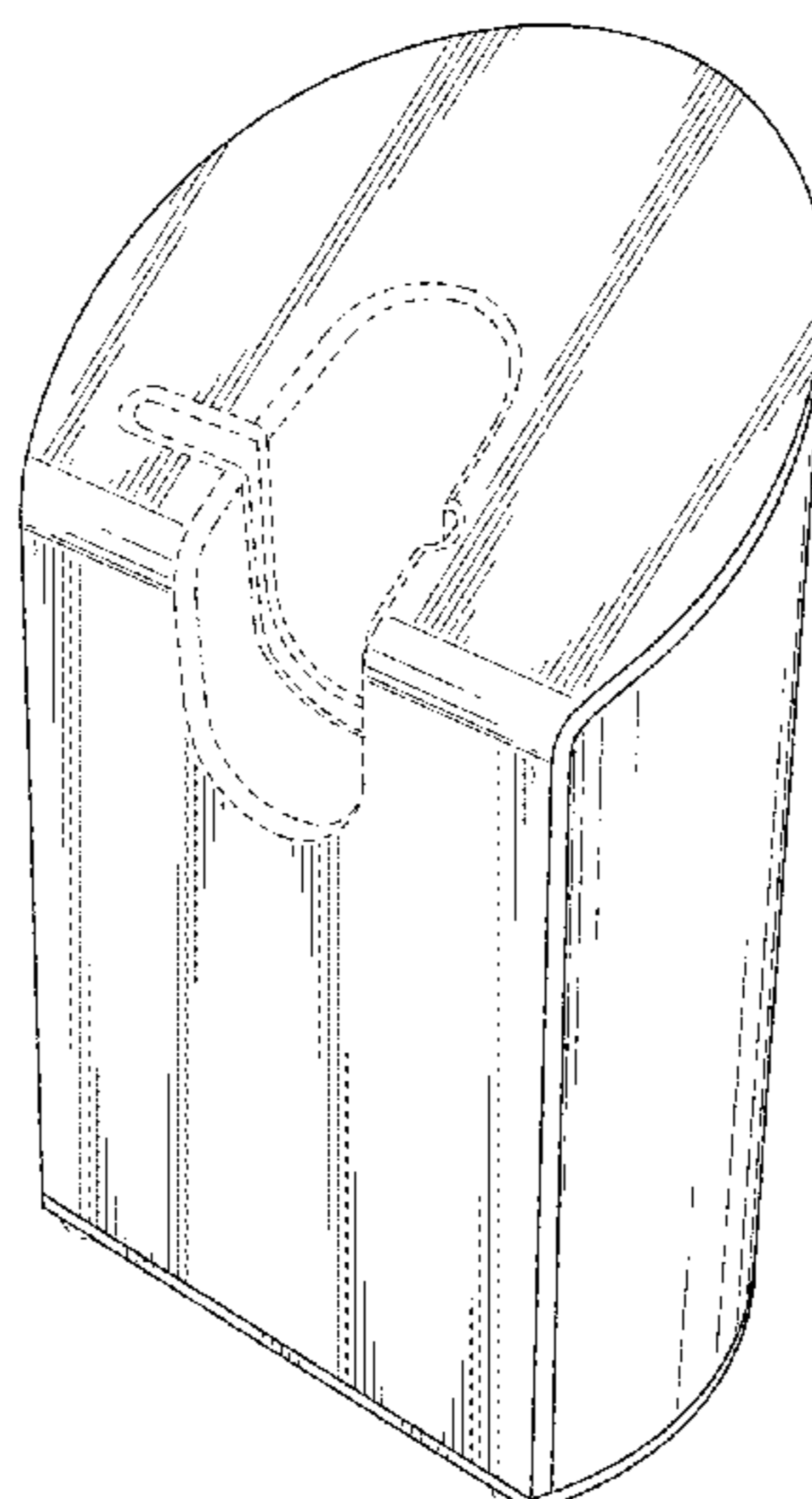
(57) **CLAIM**

The ornamental design for a payment device, as shown and described.

DESCRIPTION

FIG. 1 is a front isometric view of a payment device in accordance with the present design;
FIG. 2 is a front view thereof;
FIG. 3 is a back view thereof;
FIG. 4 is left side view thereof;
FIG. 5 is a right side view thereof;
FIG. 6 is a top view thereof; and,
FIG. 7 is a bottom view thereof.
The broken lines in the drawings depict parts of the payment device that form no part of the claimed design. The shading represents contour of the claimed design.

1 Claim, 6 Drawing Sheets



(56)

References Cited

U.S. PATENT DOCUMENTS

D569,899 S * 5/2008 Dahl D18/4.6
7,378,981 B1 * 5/2008 Sachs G08B 3/10
340/384.1
D594,866 S * 6/2009 Lin D14/385
D631,481 S * 1/2011 Floersch D14/451
D634,356 S * 3/2011 Dahl D18/4.6
D637,189 S * 5/2011 Hemming D14/385
D640,231 S * 6/2011 Joseph D14/171
D645,047 S * 9/2011 Wike D14/447
D646,273 S * 10/2011 Daniel D14/385
D663,878 S * 7/2012 Ho D26/67
D667,403 S * 9/2012 Maus D13/107
D701,860 S * 4/2014 Daniel D14/307
8,762,265 B2 6/2014 Kessler et al.
D720,752 S * 1/2015 Bleds D14/420
D730,355 S * 5/2015 Daniel D14/307
9,111,266 B2 * 8/2015 Kessler G06Q 20/20
D741,401 S * 10/2015 Minamide D18/50
D745,522 S * 12/2015 York D14/420

D751,076 S * 3/2016 Buessler D14/385
D755,285 S * 5/2016 Minamide D18/50
D757,162 S * 5/2016 Lyons D18/4.4
D759,158 S * 6/2016 Lee D18/50
D760,316 S * 6/2016 Kim D18/50
D762,766 S * 8/2016 Bedier D18/4.4
D763,954 S * 8/2016 Kim D18/50
D763,955 S * 8/2016 Kim D18/50
D772,337 S * 11/2016 Fan D18/50
2009/0283587 A1 11/2009 DiBello
2015/0300556 A1 * 10/2015 Fan A45C 1/12
248/346.03

OTHER PUBLICATIONS

Images of DipJar payment devices in tipping and charitable donation settings (ca. Aug. 2012-Aug. 2014).
Oct. 9, 2013 Examiner Search Results in connection with U.S. Appl. No. 13/659,690, "electronic tip jar—Google Search".

* cited by examiner

FIG. 1

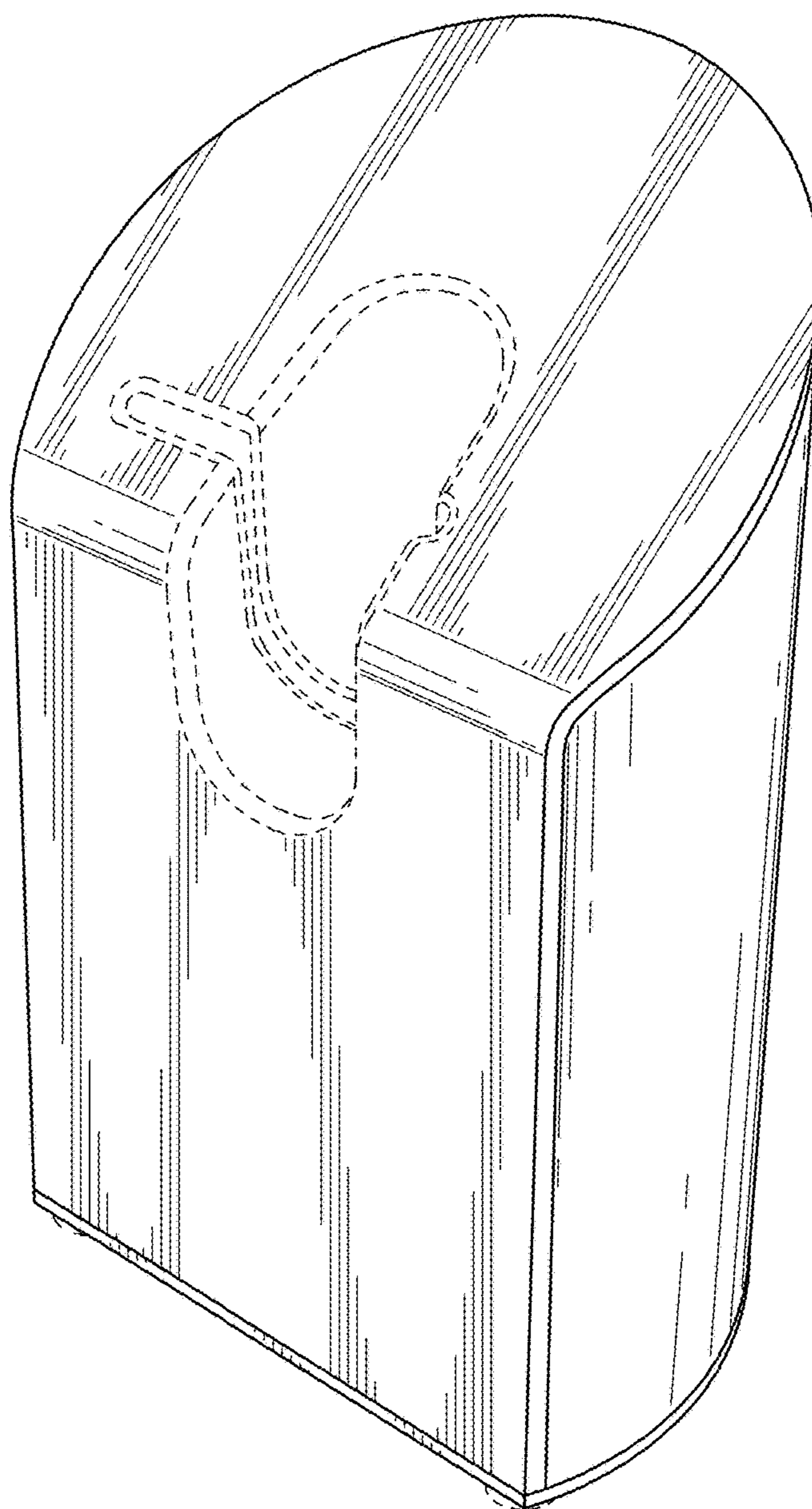


FIG. 2

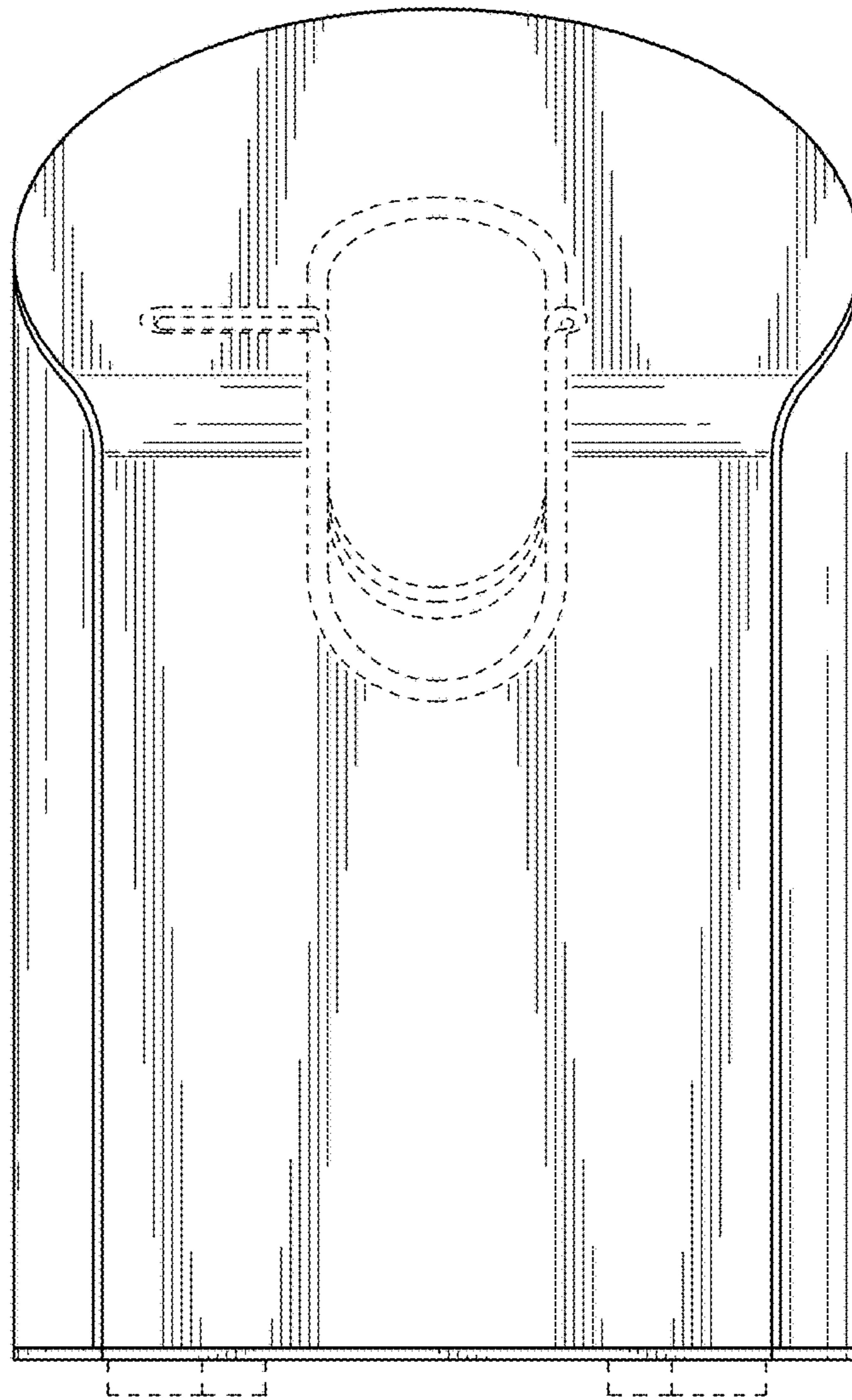


FIG. 3

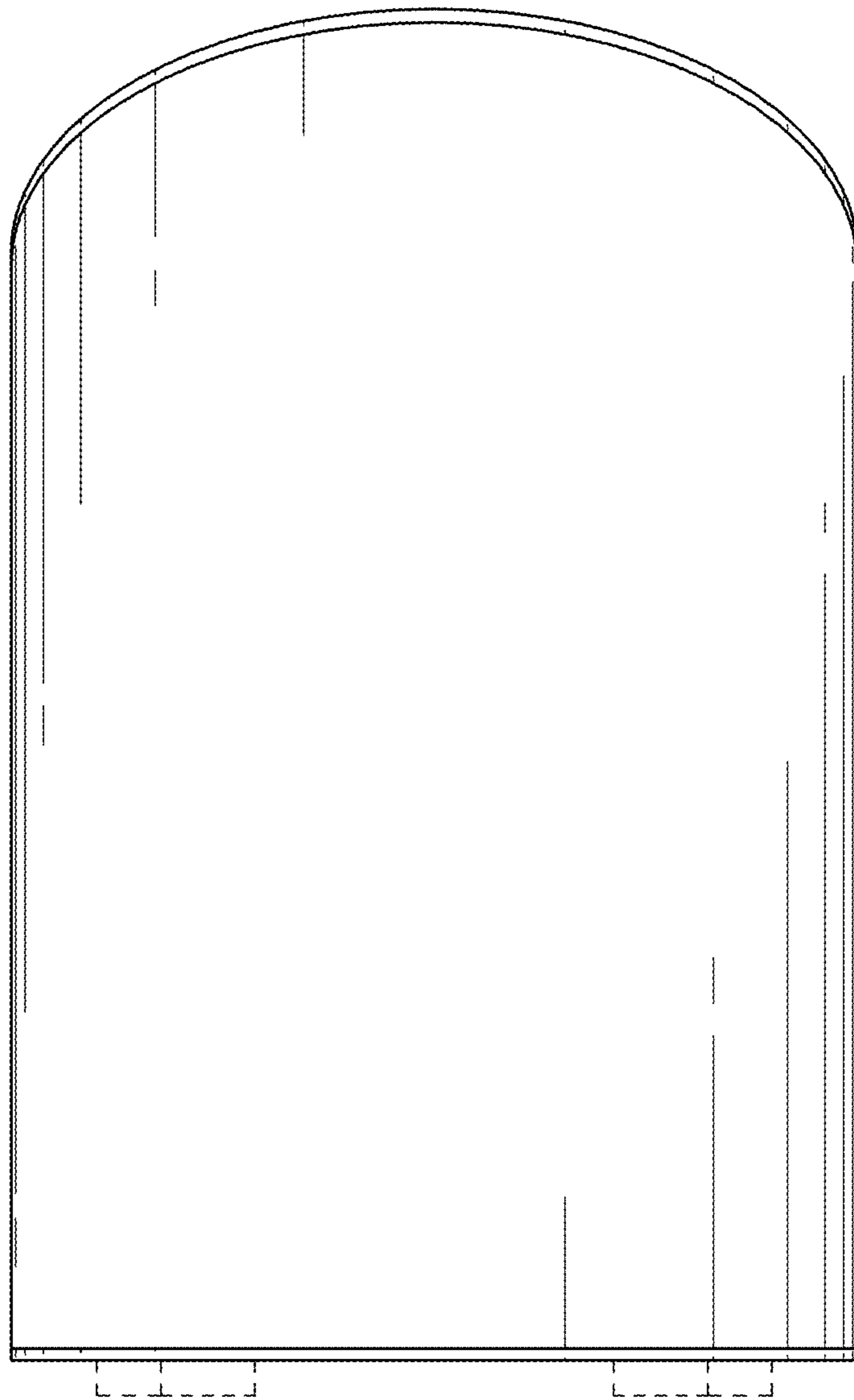


FIG. 4

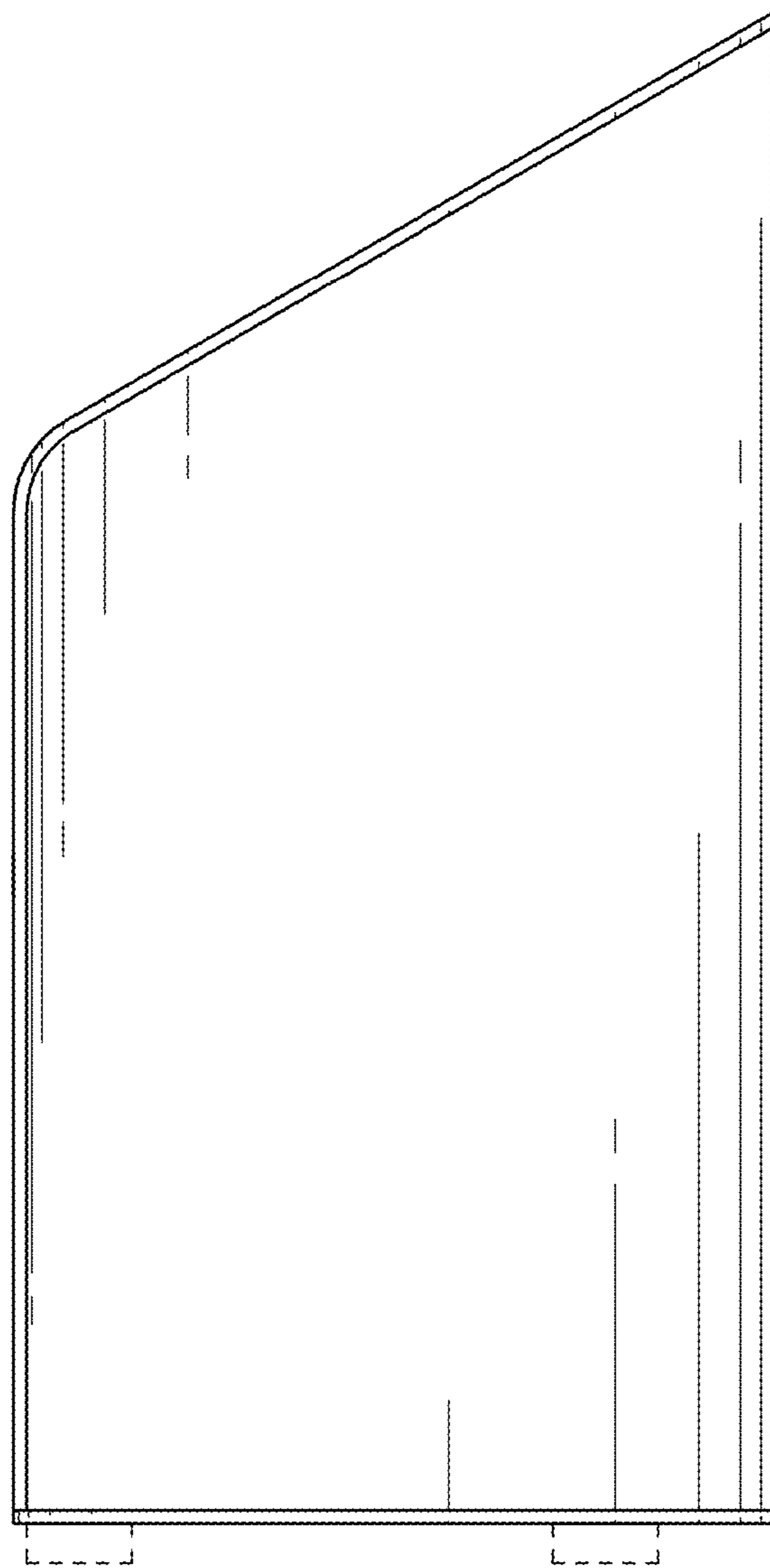


FIG. 5

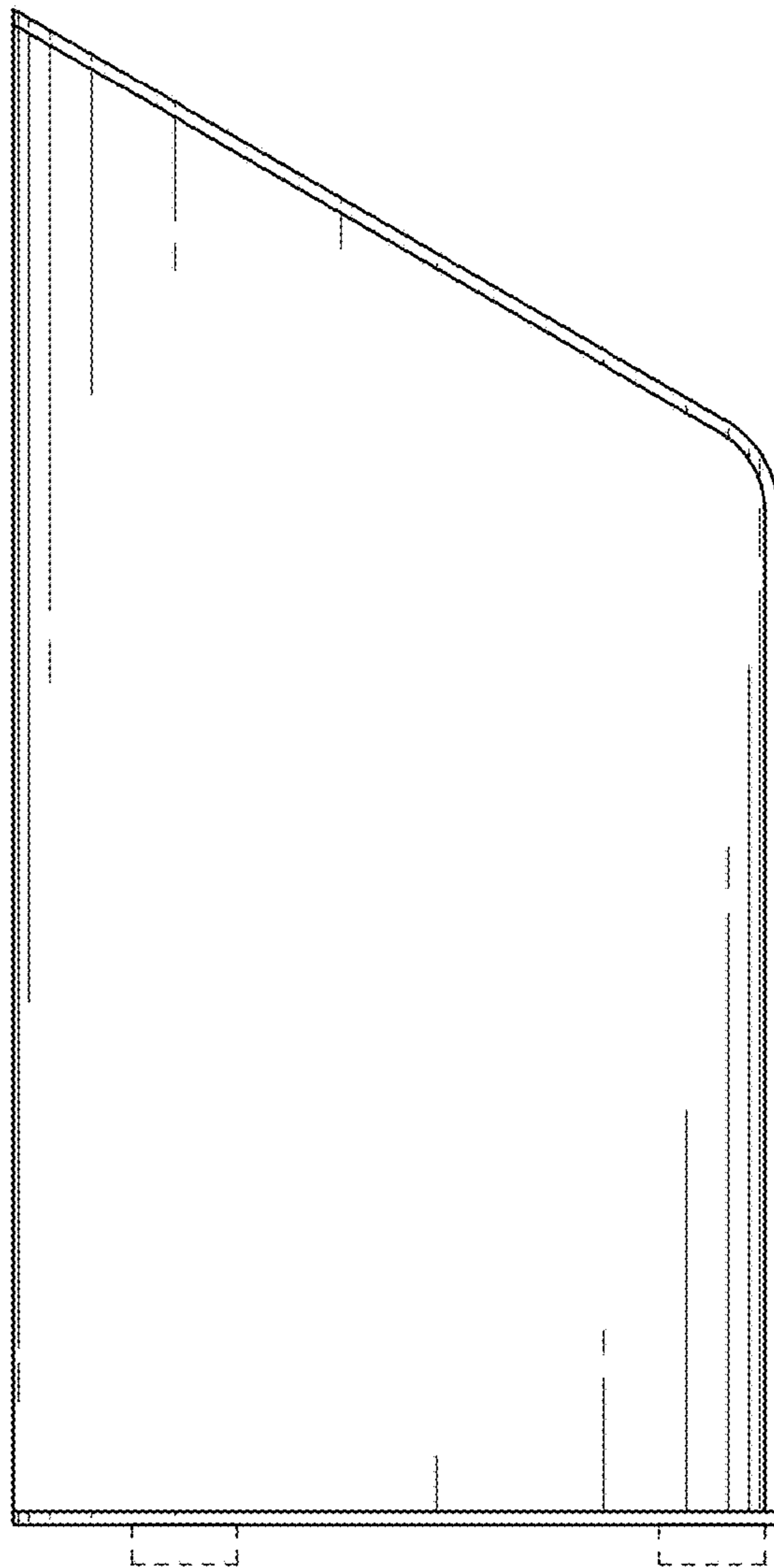


FIG. 6

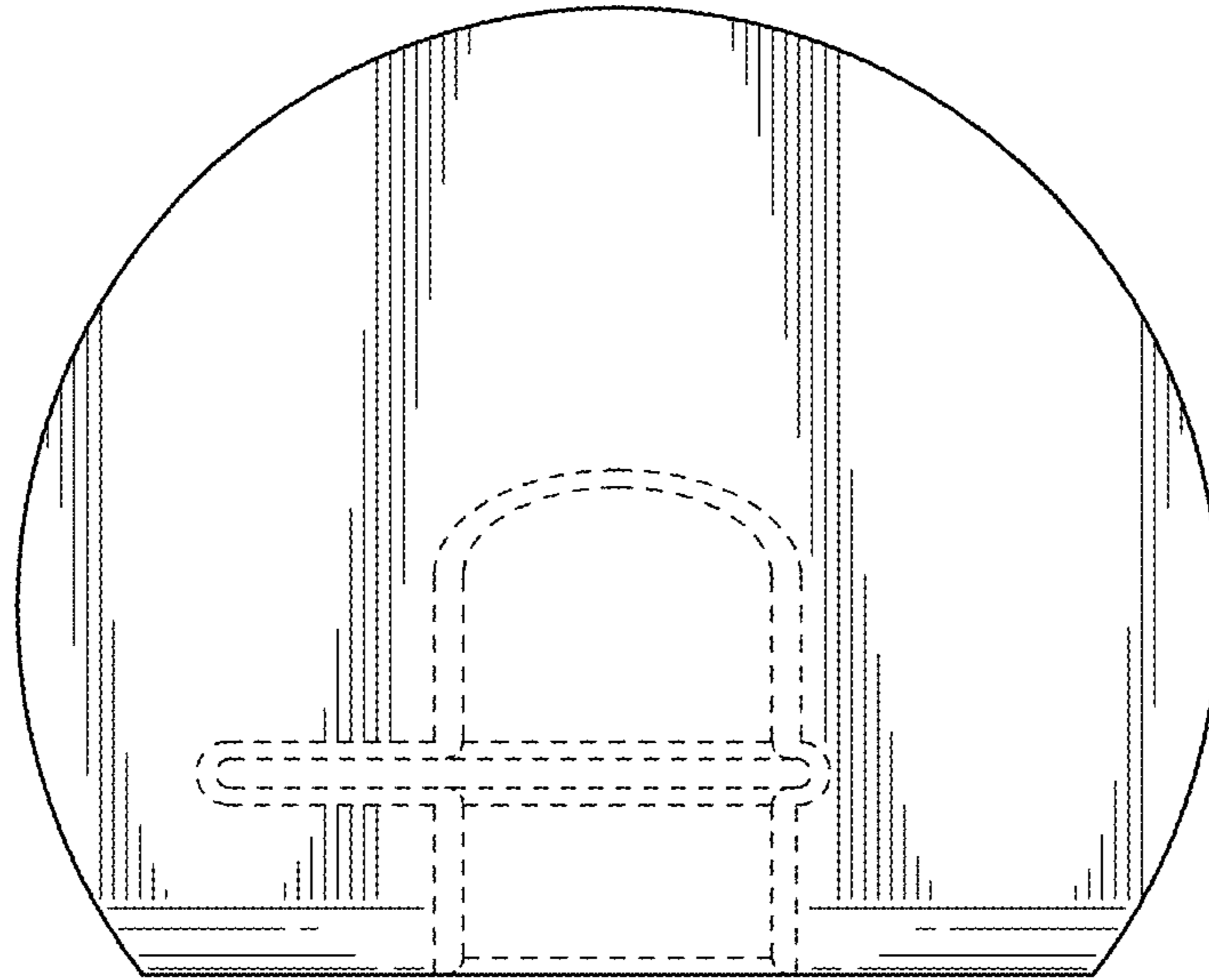


FIG. 7

