



US00D804564S

(12) **United States Design Patent**
Fuchs

(10) **Patent No.:** **US D804,564 S**
(45) **Date of Patent:** **** Dec. 5, 2017**

- (54) **EYEGLASSES**
- (71) Applicant: **Silhouette International Schmied AG**,
Linz (AT)
- (72) Inventor: **Gerhard Fuchs**, Kauns (AT)
- (73) Assignee: **Silhouette International Schmied AG**,
Linz (AT)

- D590,005 S 4/2009 Fuchs
 - D593,593 S 6/2009 Fuchs
 - D597,123 S 7/2009 Strecker
 - D601,181 S 9/2009 Fuchs
 - D602,975 S 10/2009 Fuchs
 - D631,084 S 1/2011 Phillips
 - D633,128 S 2/2011 Fuchs
 - D633,940 S 3/2011 Preuer-Lackner
- (Continued)

- (**) Term: **15 Years**
- (21) Appl. No.: **29/570,820**
- (22) Filed: **Jul. 12, 2016**

(30) **Foreign Application Priority Data**

Mar. 24, 2016 (EM) 003042043

- (51) **LOC (10) Cl.** **16-06**
- (52) **U.S. Cl.**
USPC **D16/321**
- (58) **Field of Classification Search**
USPC D16/100, 301, 303, 315, 320, 321
CPC G02C 2200/02; G02C 11/02; G02C 11/00;
G02C 5/02; G02C 5/126
See application file for complete search history.

(56) **References Cited**

U.S. PATENT DOCUMENTS

- D455,451 S 4/2002 Onodera
- 6,655,800 B2 12/2003 Takeda et al.
- 6,729,725 B1 5/2004 Cheng
- D531,656 S 11/2006 Della Valle
- D533,579 S 12/2006 Raile
- D544,901 S 6/2007 Fuchs
- D552,156 S 10/2007 Fuchs
- D556,819 S 12/2007 Fuchs
- D567,838 S 4/2008 Fuchs
- D567,839 S 4/2008 Fuchs
- D577,377 S 9/2008 Fuchs
- D581,448 S 11/2008 Fuchs
- D582,965 S 12/2008 Fuchs

OTHER PUBLICATIONS

Cartier C Decor Collection, posted at novo-eyewear.com, posting date not given, [online], [site visited Sep. 6, 2017]. Available from Internet, URL: <http://www.novo-eyewear.com/cartier-c-decor-collection-genuine-black-horn-temple-golden-finish-ref-eye00079-buffalo-horn-eyeglasses-rimless-p-622.html>.*

(Continued)

Primary Examiner — George D. Kirschbaum

Assistant Examiner — Maria J Edwards

(74) *Attorney, Agent, or Firm* — Alston & Bird LLP

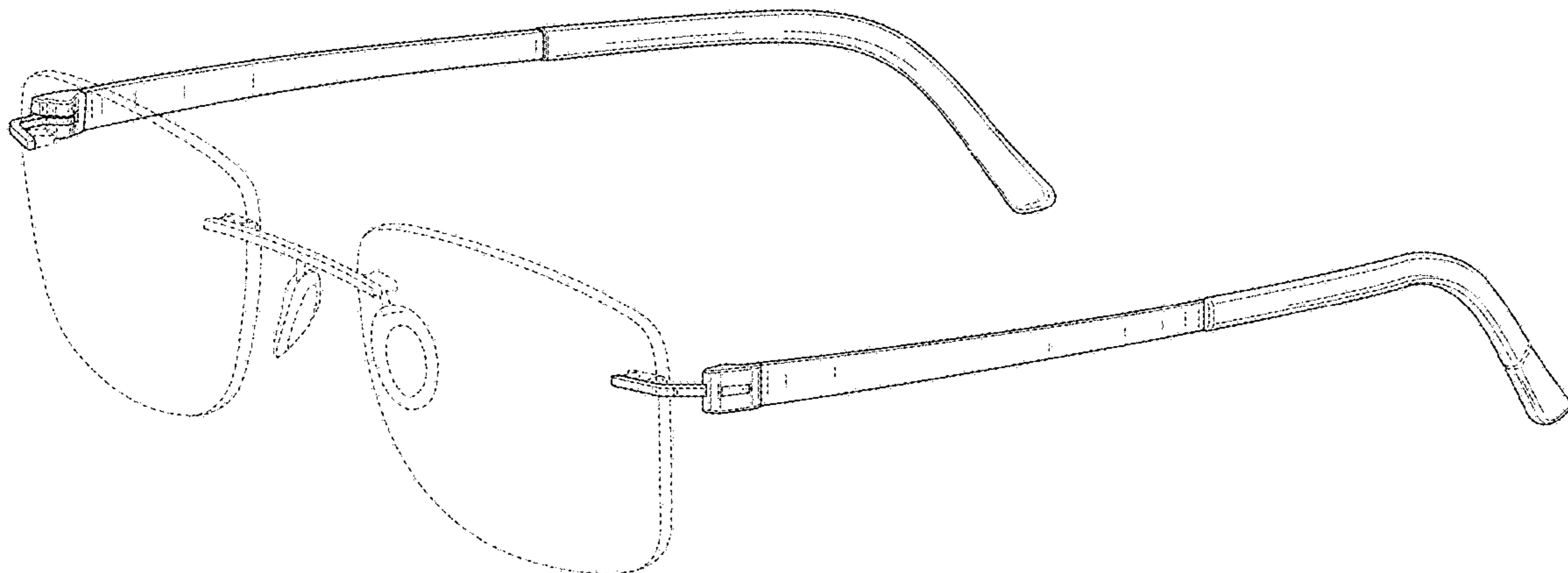
(57) **CLAIM**

I claim the ornamental design for eyeglasses, as shown and described.

DESCRIPTION

FIG. 1 is a perspective view of eyeglasses showing my new design;
 FIG. 2 is a front elevation view thereof;
 FIG. 3 is a rear elevation view thereof;
 FIG. 4 is a right side elevation view thereof, the left side being a mirror image thereof;
 FIG. 5 is a top plan view thereof;
 FIG. 6 is a bottom plan view thereof; and,
 FIG. 7 is a cross-section view thereof, taken along line 7-7 in FIG. 5.
 The broken lines are directed to unclaimed features. The broken lines form no part of the claimed design.

1 Claim, 6 Drawing Sheets



(56)

References Cited

U.S. PATENT DOCUMENTS

D635,178 S *	3/2011	Fuchs	D16/315
D638,873 S *	5/2011	Fuchs	D16/315
D650,002 S	12/2011	Zoonens	
D661,723 S	6/2012	Fuchs	
D671,982 S	12/2012	Fuchs	
D671,983 S	12/2012	Fuchs	
D675,670 S	2/2013	Fuchs	
D692,045 S *	10/2013	Strecker	D16/315
D692,046 S *	10/2013	Fuchs	D16/315
D712,452 S	9/2014	Fuchs	
D736,304 S *	8/2015	Earley	D16/315
D743,479 S *	11/2015	Keplinger	D16/315
D757,158 S *	5/2016	Fuchs	D16/315
D767,014 S *	9/2016	Fuchs	D16/315
D778,979 S *	2/2017	Buffa	D16/315
D781,952 S *	3/2017	Fuchs	D16/335

OTHER PUBLICATIONS

SPX Signia, posted at otticanet.com, posting date Jul. 12, 2014 (as found by tineye.com), [online], [site visited Sep. 6, 2017]. Available from Internet, URL: <https://tineye.com/search/10bf308d4302b9ee646989be0d2520bd812dd7f4/> (Year: 2014).*

Signia Nylor, posted at otticanet.com, posting date Dec. 18, 2015 (as found by tineye.com), [online], [site visited Sep. 6, 2017]. Available from Internet, URL: <https://tineye.com/search/258763c491649672e5da2e846f3808c1f728f840/> (Year: 2015).*

Titan Accent 5452, posted at otticanet.com, posting date Apr. 23, 2016 (as found by tineye.com), [online], [site visited Sep. 6, 2017]. Available from Internet, URL: <https://tineye.com/search/aae52c6e432d1017c948269e0b36e1fa4e524e07/> (Year: 2016).*

Tommy Hilfiger TH5712C1, posted at opticvilla.com, posting date not given, [online], [site visited Sep. 6, 2017]. Available from Internet, URL: <https://www.opticvilla.com/tommyhilfigerth5662c3matteblackframeandtemplroundeyeglasses3.html>.*

* cited by examiner

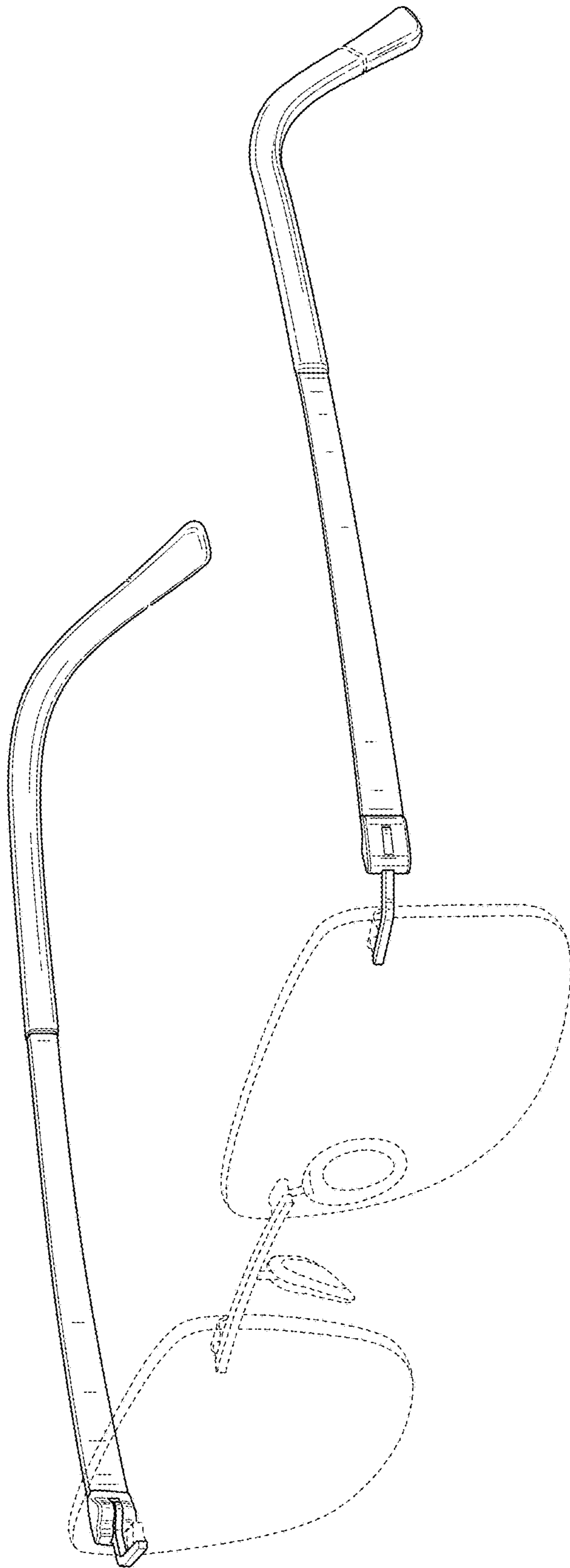


FIG. 1

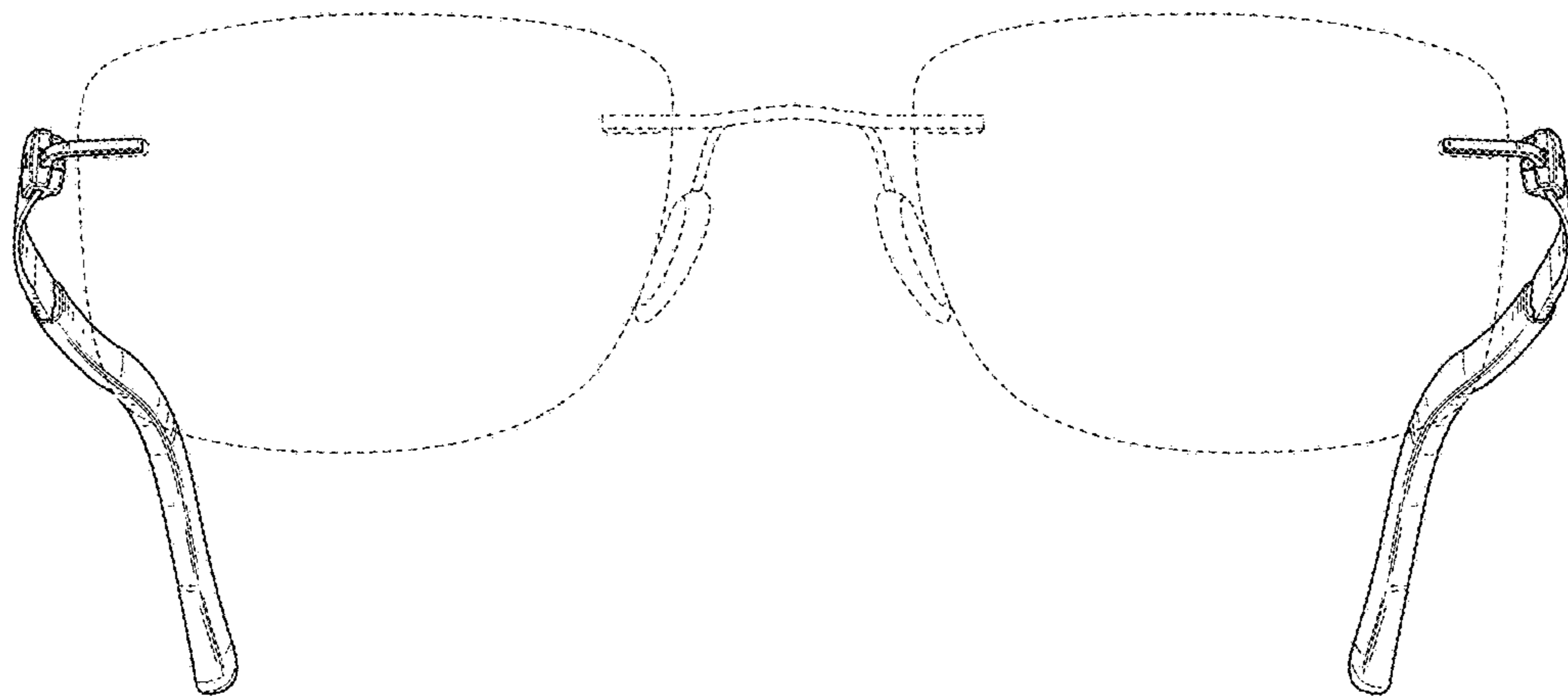


FIG. 2

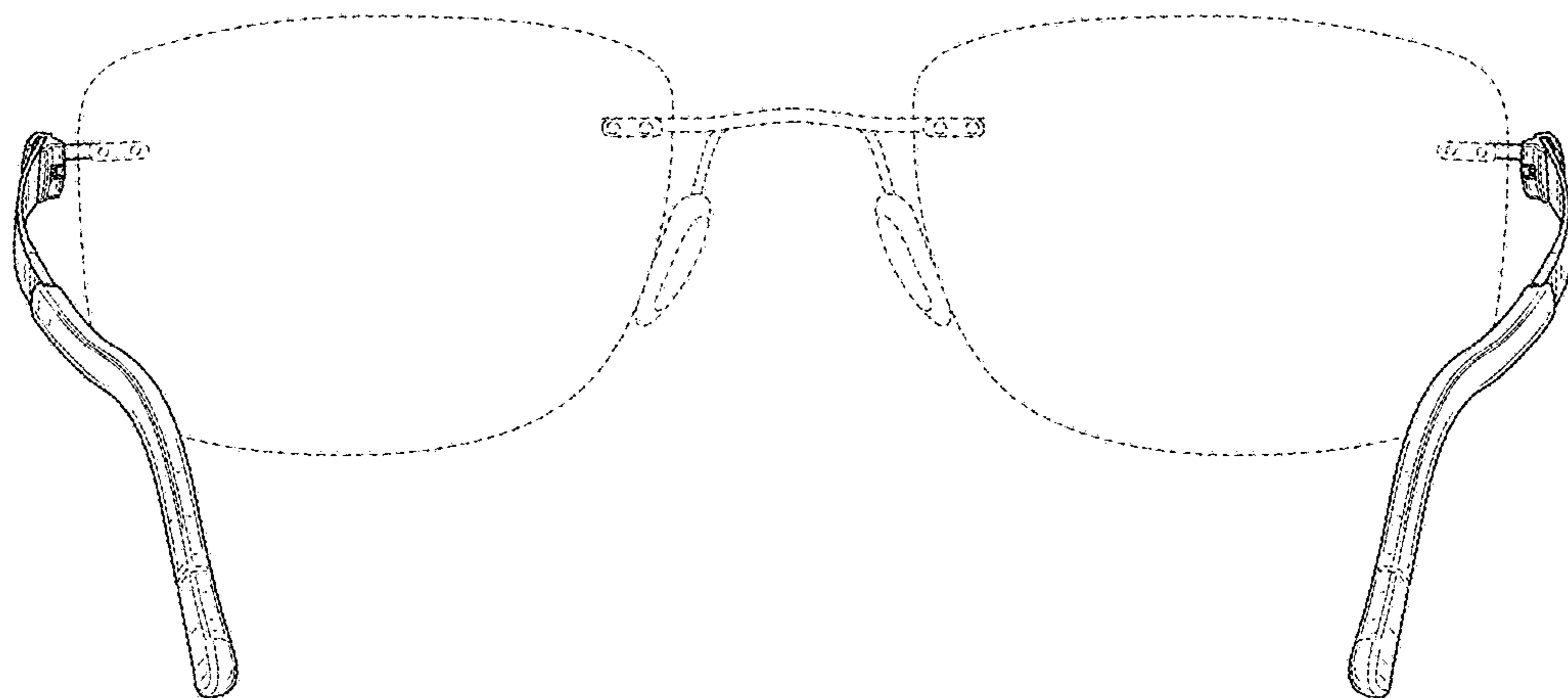


FIG. 3

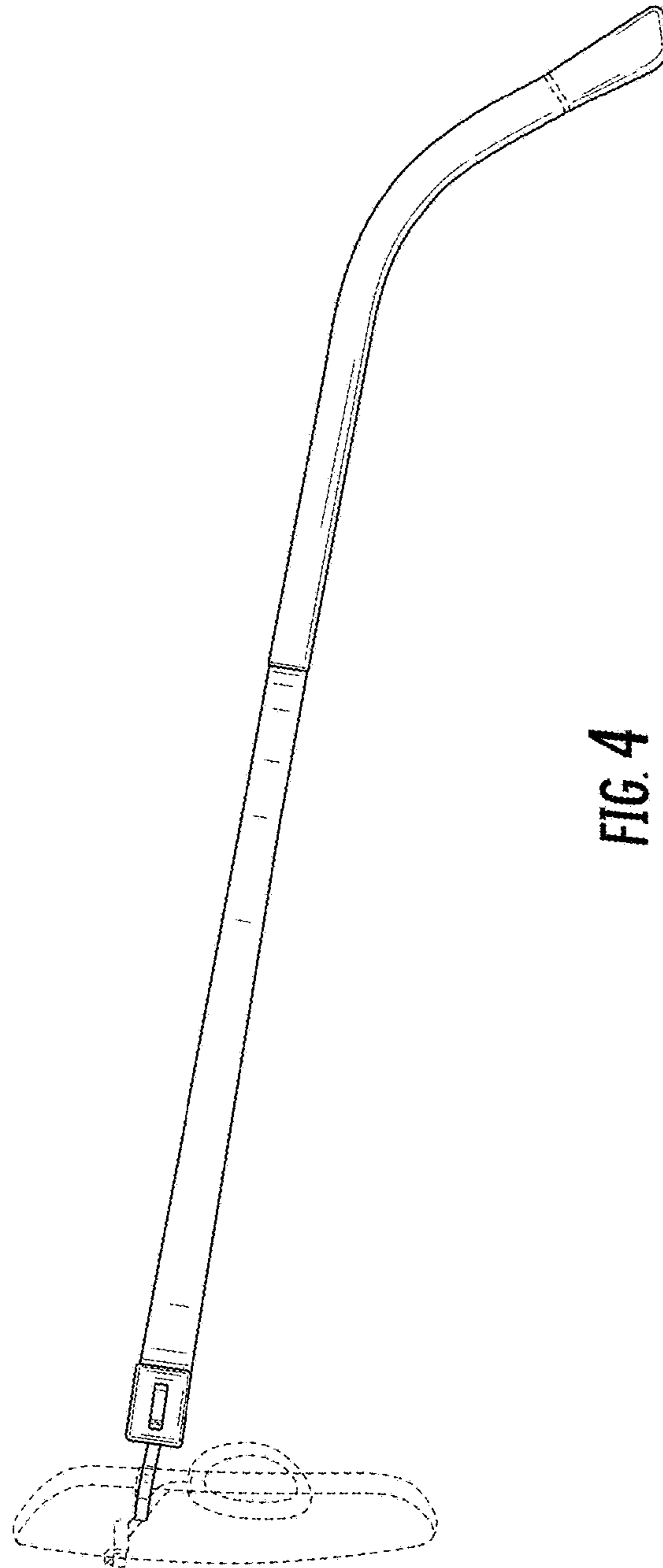


FIG. 4

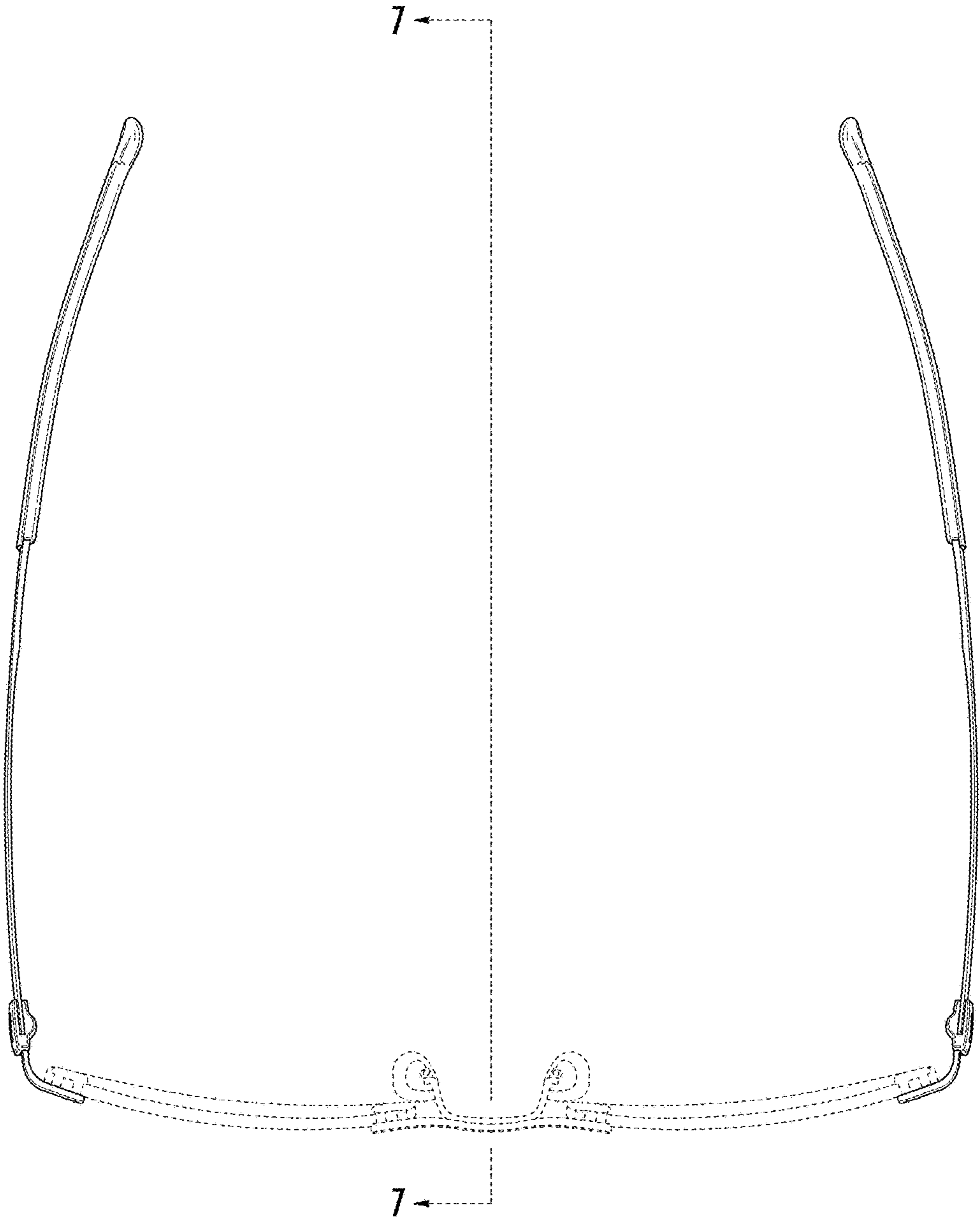


FIG. 5



FIG. 6

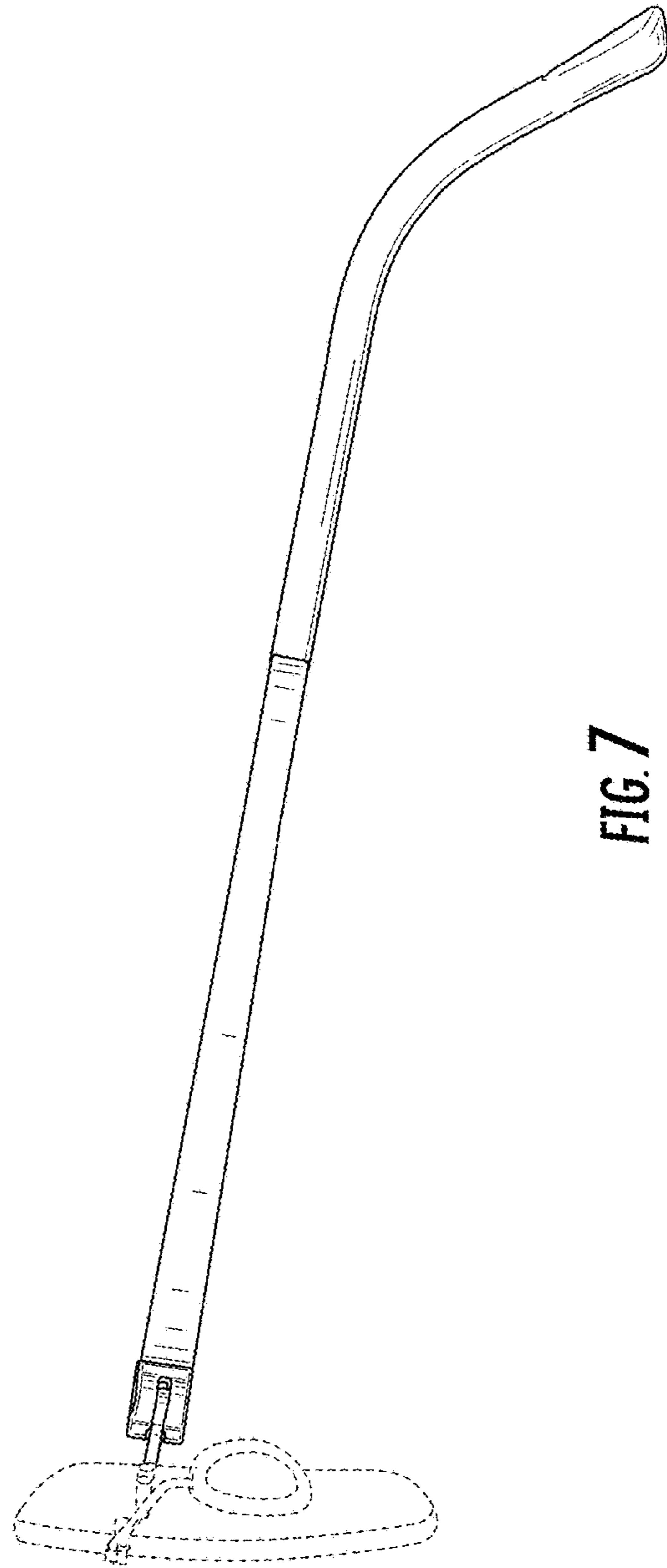


FIG. 7