



US00D804562S

(12) **United States Design Patent** (10) **Patent No.:** **US D804,562 S**
LeBeau (45) **Date of Patent:** **** Dec. 5, 2017**

(54) **CAMERA**
(71) Applicant: **Seek Thermal, Inc.**, Goleta, CA (US)
(72) Inventor: **Tim LeBeau**, Santa Barbara, CA (US)
(73) Assignee: **Seek Thermal, Inc.**, Santa Barbara, CA (US)

(**) Term: **14 Years**

(21) Appl. No.: **29/500,109**

(22) Filed: **Aug. 21, 2014**

(51) **LOC (10) Cl.** **16-01**

(52) **U.S. Cl.**

USPC **D16/219**

(58) **Field of Classification Search**

USPC D3/267, 268, 270, 271.1; D10/49, 52;
D14/204, 206, 215, 217, 221, 222, 239,
D14/240, 252, 253, 299; D16/132-136,
D16/200, 202, 205, 206, 208, 209, 211,
D16/218, 219, 220; D21/514; D26/85
CPC G03B 17/02; G03B 19/04; G03B 17/56;
G03B 17/04; G03B 15/03; G03B 17/14;
H04N 5/2251; H04N 5/2252; H04N
5/2253; H04N 5/2254; G02B 7/02; G02B
7/04; G02B 7/14

See application file for complete search history.

(56) **References Cited**

U.S. PATENT DOCUMENTS

D82,353 S 10/1930 Trautmann
D97,452 S 11/1935 Ball
D172,503 S 9/1955 Moore
D175,503 S 9/1955 Gottschalk
D223,215 S 3/1972 Takata
D248,766 S 8/1978 Arai
D252,833 S 9/1979 Bowser
D283,924 S 5/1986 Yau
D308,881 S 6/1990 Steed
D338,028 S 8/1993 Takahashi

D343,631 S 1/1994 Takahashi
D357,491 S 4/1995 Takahashi
D362,007 S 9/1995 Takahashi
D375,969 S 11/1996 Watanabe
D381,348 S 7/1997 Tanaka
D397,706 S 9/1998 Shibata

(Continued)

OTHER PUBLICATIONS

DSLR Camera Lens Optical Green Glass With Reflection Illustration Royalty Free Cliparts, Vectors, and Stock Illustration, printed from: http://www.123rf.com/photo_22444957_dslr-camera-lens-optical-green-glass-with-reflection-illustration.html on Aug. 7, 2014, in 3 pages.

(Continued)

Primary Examiner — Susan E Krakower

Assistant Examiner — Lisa A Grabenstetter

(74) *Attorney, Agent, or Firm* — Knobbe Martens Olson & Bear LLP

(57)

CLAIM

We claim the ornamental design for a camera, as shown and described.

DESCRIPTION

FIG. 1 is a perspective view of a camera showing the new design;

FIG. 2 is a cross-sectional view of the camera of FIG. 1, taken along line 2-2;

FIG. 3 is a front view of the camera of FIG. 1;

FIG. 4 is a back view thereof;

FIG. 5 is a left side view thereof;

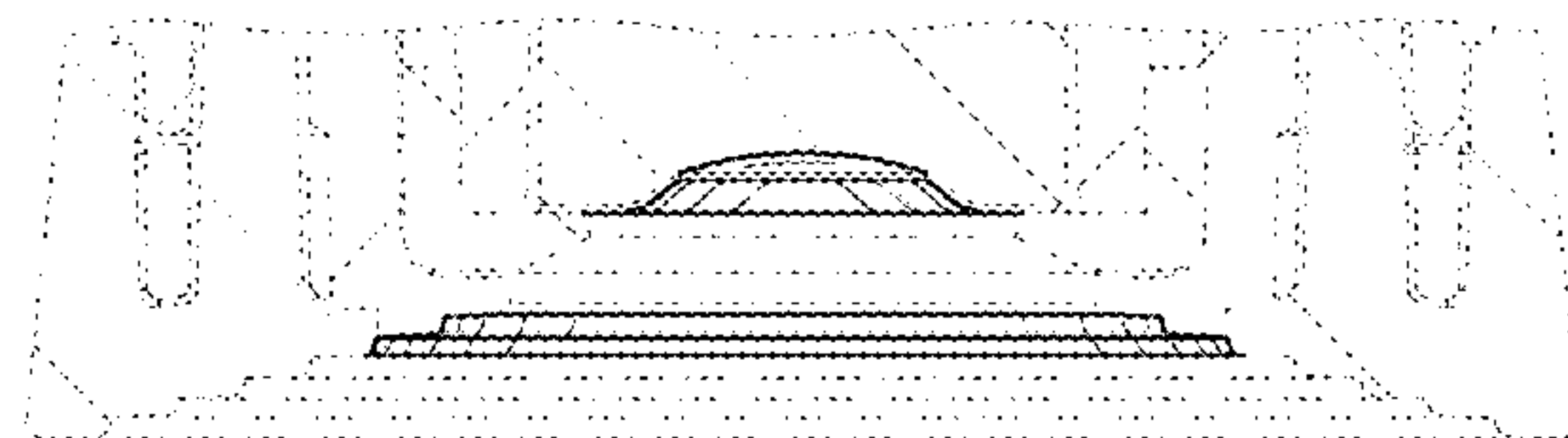
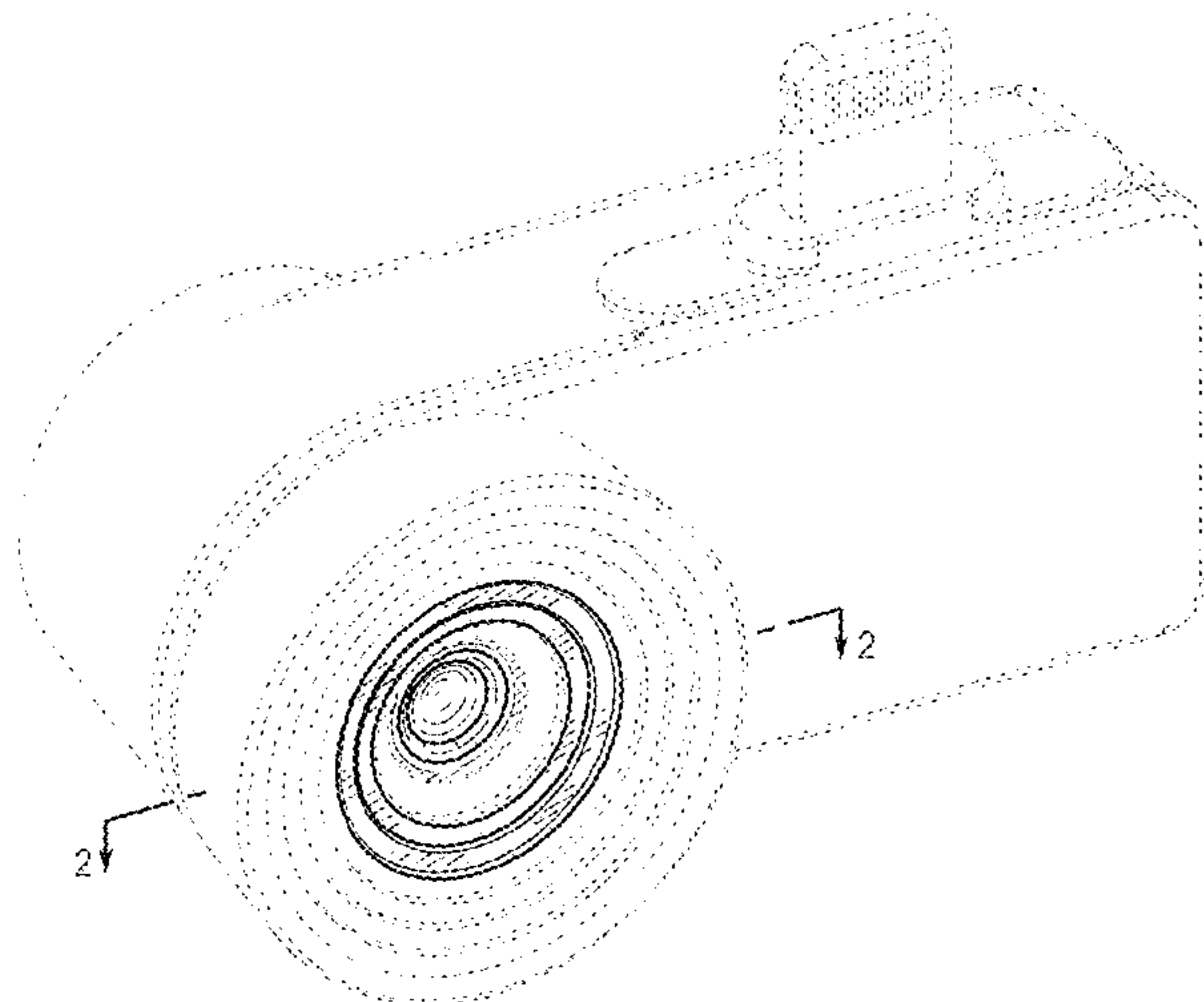
FIG. 6 is a right side view thereof;

FIG. 7 is a top view thereof; and,

FIG. 8 is a bottom view thereof.

The dash-dash broken lines depicting a camera represent unclaimed environmental structure which forms no part of the claimed design.

1 Claim, 4 Drawing Sheets



(56)

References Cited

U.S. PATENT DOCUMENTS

D426,248 S 6/2000 Sumita
 D428,428 S 7/2000 Ono
 D430,888 S 9/2000 Adachi
 D471,220 S 3/2003 Hamamura
 D483,385 S 12/2003 Kapenekas
 D488,178 S 4/2004 Huang
 D496,059 S 9/2004 Cameron
 D506,565 S 6/2005 Yurich
 D510,945 S 10/2005 Do
 D521,982 S 5/2006 Schafernak
 D523,057 S * 6/2006 Watanabe D16/134
 D526,312 S * 8/2006 Kuribayashi D14/221
 D528,576 S 9/2006 Chung
 D539,320 S 3/2007 Tokiwa
 D540,363 S * 4/2007 Tokiwa D16/134
 D544,008 S 6/2007 Stewart
 D549,260 S 8/2007 Kojima
 D554,683 S 11/2007 Jones
 D557,309 S 12/2007 Shimizu
 D561,803 S 2/2008 Morita
 D562,862 S * 2/2008 Yasutomi D16/134
 D565,070 S 3/2008 Kim
 D565,621 S 4/2008 Yamane
 D566,148 S 4/2008 Akita
 D566,158 S 4/2008 Yasutomi
 D570,389 S 6/2008 Nakamura
 D571,387 S 6/2008 Morita
 D573,625 S 7/2008 Watanabe
 D575,319 S 8/2008 Tajima
 D591,728 S * 5/2009 Pantaleone D14/216
 D591,730 S * 5/2009 Pantaleone D14/216
 7,643,085 B2 * 1/2010 Saiki G03B 17/02
 348/373
 D612,201 S 3/2010 Hillebrenner
 D612,364 S * 3/2010 Kwolek D14/215
 D617,315 S * 6/2010 Pantaleone D14/216
 D617,360 S 6/2010 Endo
 D618,226 S * 6/2010 Tong D13/133
 D640,300 S 6/2011 Sato
 D640,720 S 6/2011 Yoshii
 D641,032 S 7/2011 Yoshii
 D650,821 S 12/2011 Verhey

D651,632 S * 1/2012 Kim D16/202
 D656,530 S 3/2012 Kwon
 D663,743 S 7/2012 Tanghe
 D664,581 S * 7/2012 Palm D16/219
 D665,837 S 8/2012 Tainaka
 D666,940 S 9/2012 Dunn
 D677,302 S * 3/2013 Fujita D16/219
 D677,303 S 3/2013 Nojima
 D678,379 S 3/2013 O'Neill
 D682,333 S * 5/2013 Kim D16/202
 D684,620 S * 6/2013 Kim D16/219
 D686,265 S * 7/2013 O'Neill D16/134
 D693,870 S 11/2013 Kim
 D694,801 S 12/2013 Sakai
 D695,328 S 12/2013 Sul
 D695,805 S 12/2013 Sakai
 D696,329 S 12/2013 Horiki
 D696,709 S 12/2013 Sato
 D702,749 S 4/2014 Kim
 D711,450 S 8/2014 Yamauchi
 D712,949 S 9/2014 Kwon et al.
 D728,652 S 5/2015 Hayashi
 D741,930 S 10/2015 Kwon
 D757,837 S 5/2016 Henry
 2002/0105730 A1 8/2002 Clark
 2007/0177865 A1 8/2007 Nomura
 2007/0296819 A1 12/2007 Takizawa
 2008/0002968 A1 1/2008 Arai
 2012/0044621 A1 2/2012 Fujiwara
 2012/0189296 A1 * 7/2012 Kim G03B 17/02
 396/535
 2013/0039069 A1 2/2013 Zeng
 2016/0065802 A1 * 3/2016 Finegold H04N 5/33
 348/374

OTHER PUBLICATIONS

DSLR Camera Lens Optical Green Glass With Reflection Illustration Royalty Free Cliparts, Vectors, and Stock Illustration, printed from http://www.123rf.com/photo_22444957_dslr-camera-lens-optical-green-glass-with-reflection-illustration.html on Aug. 7, 2014.

* cited by examiner

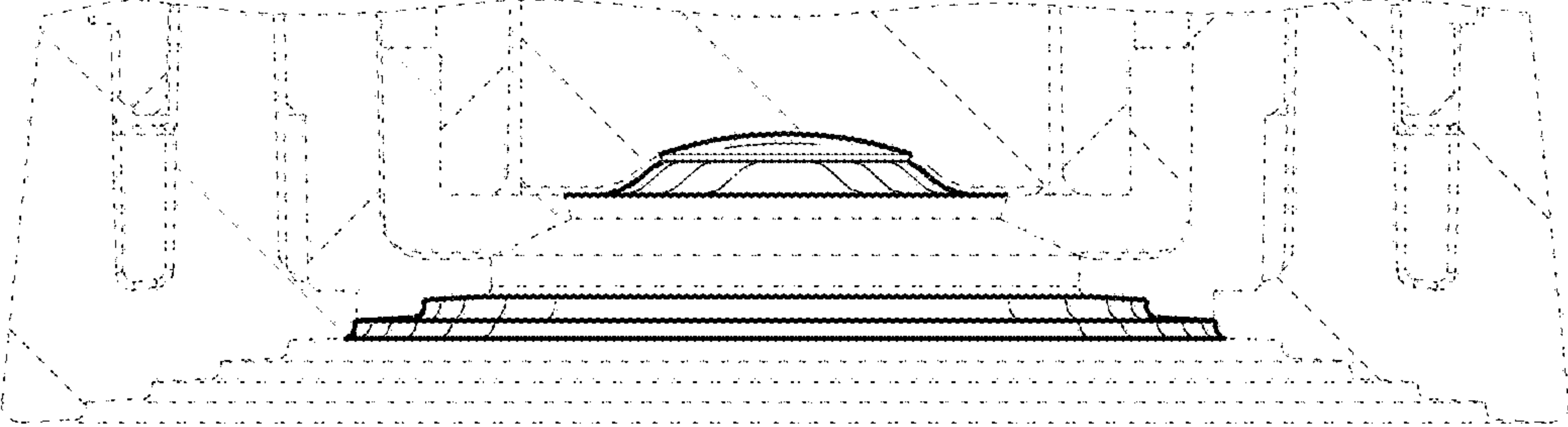
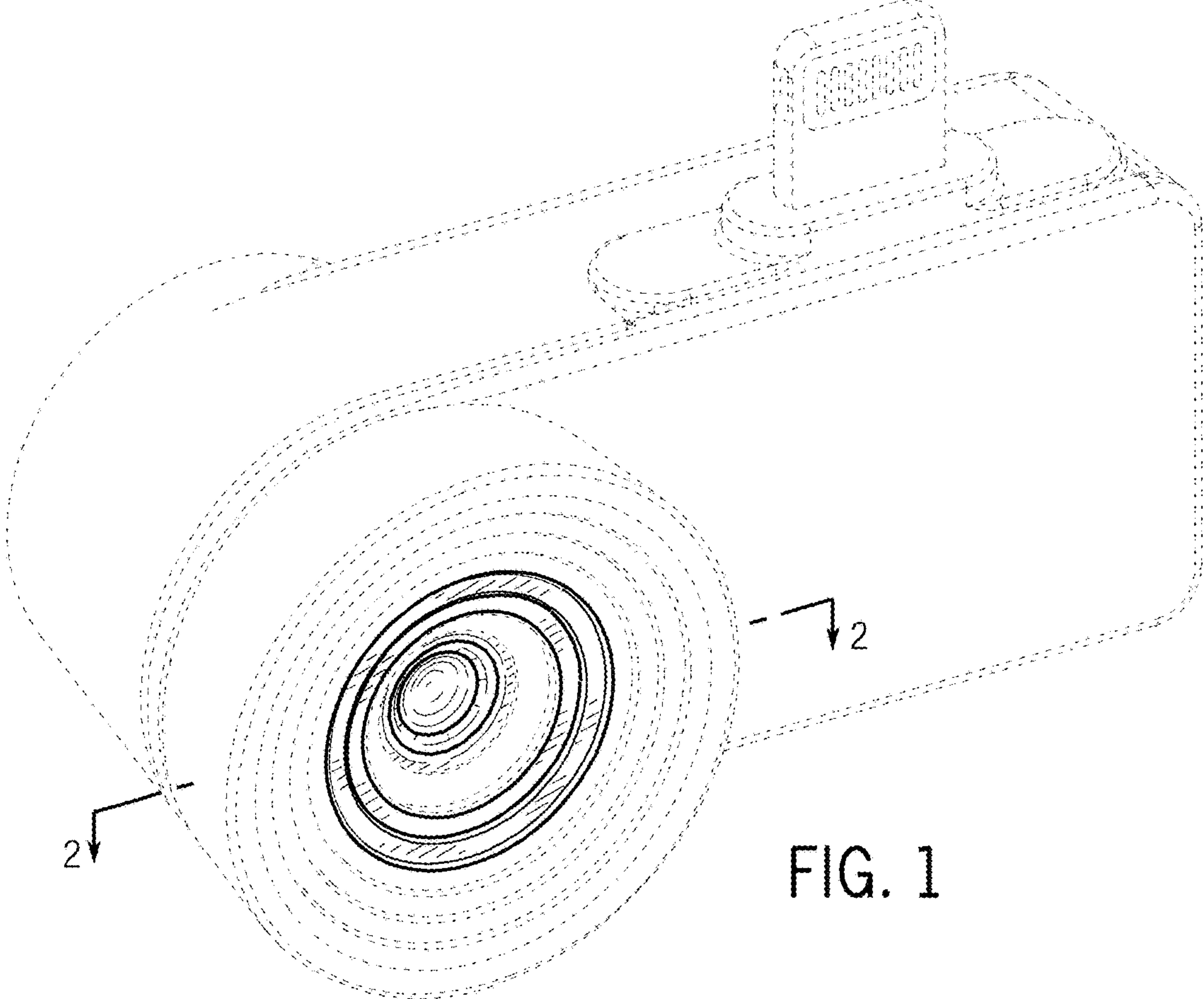


FIG. 2

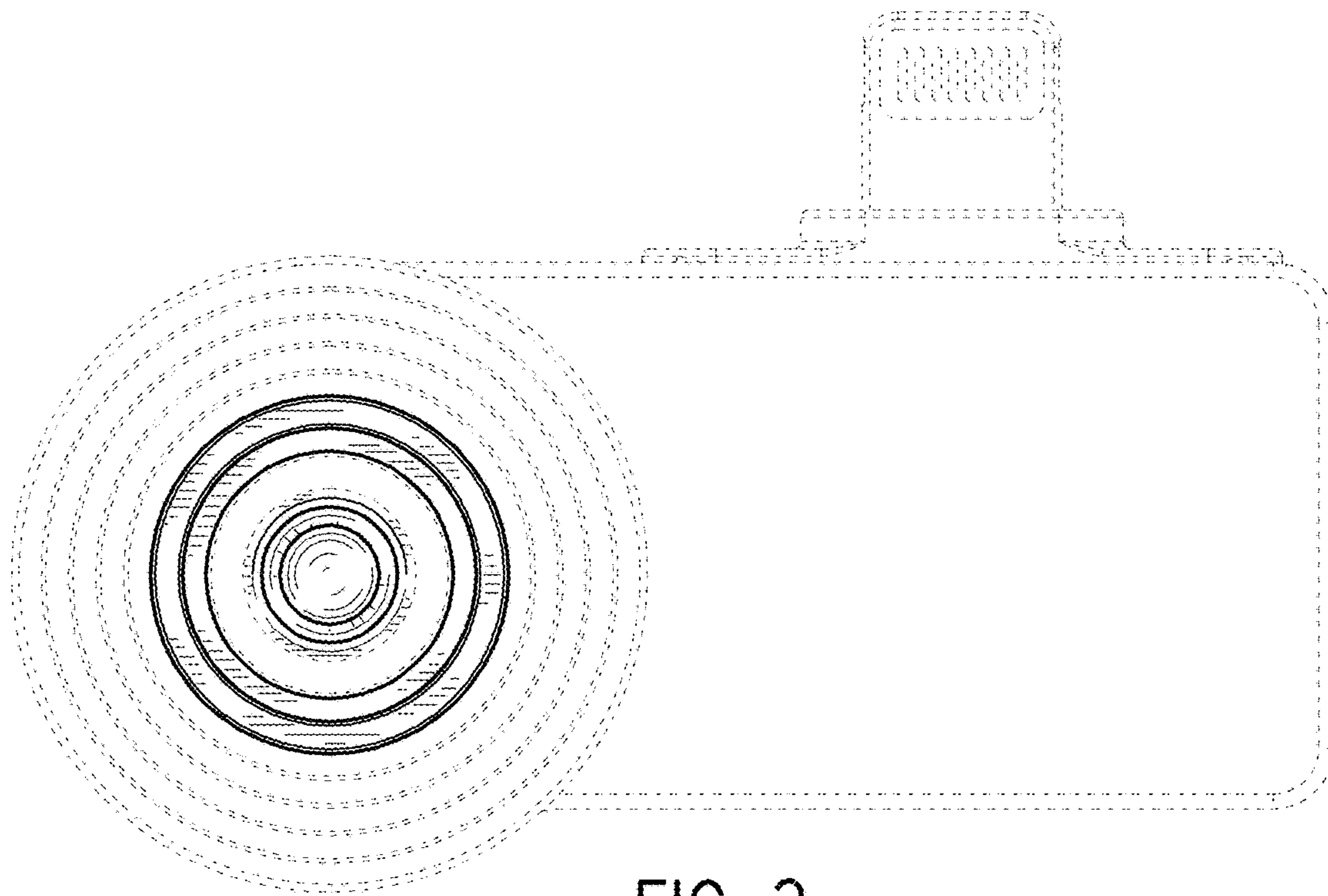


FIG. 3

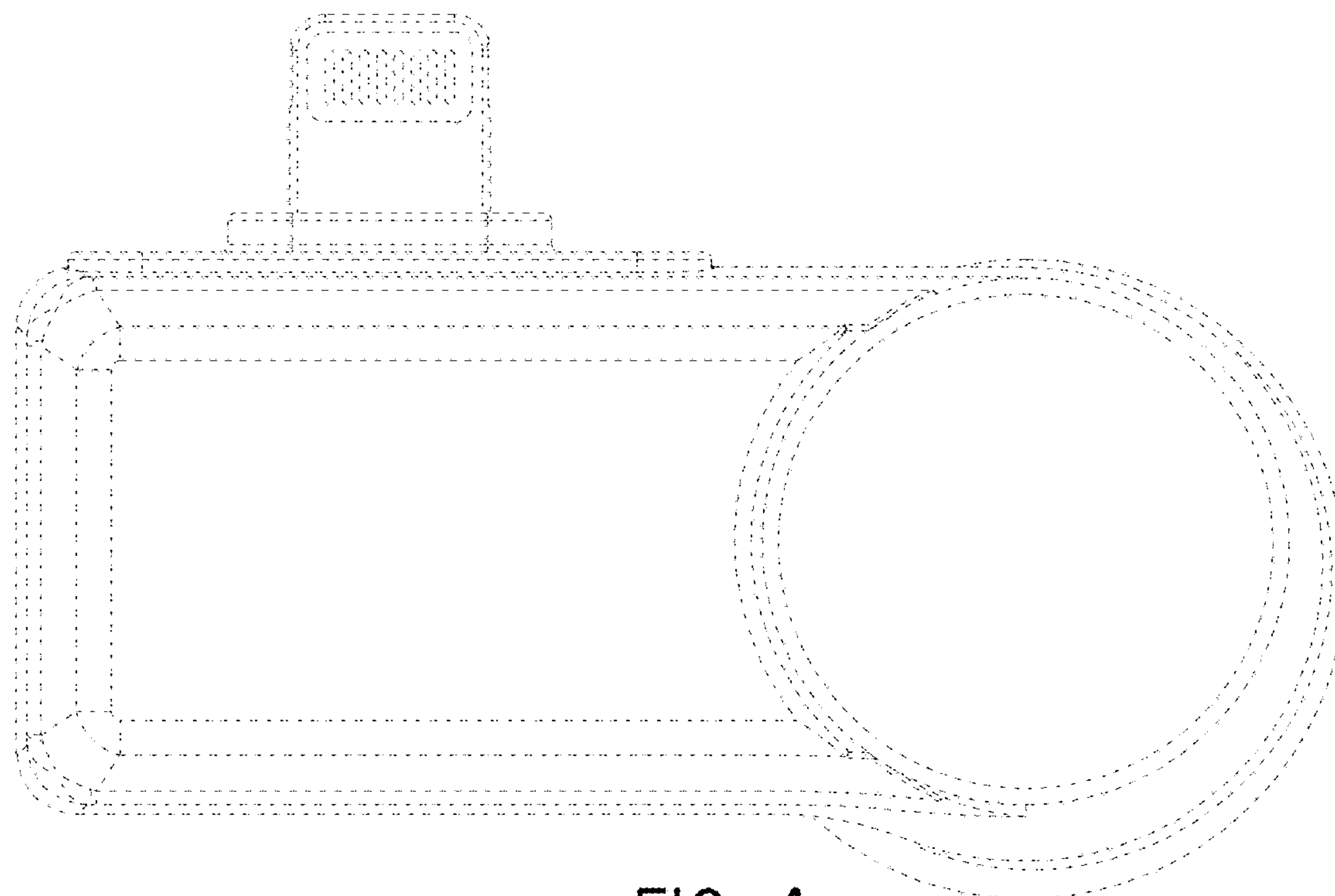


FIG. 4

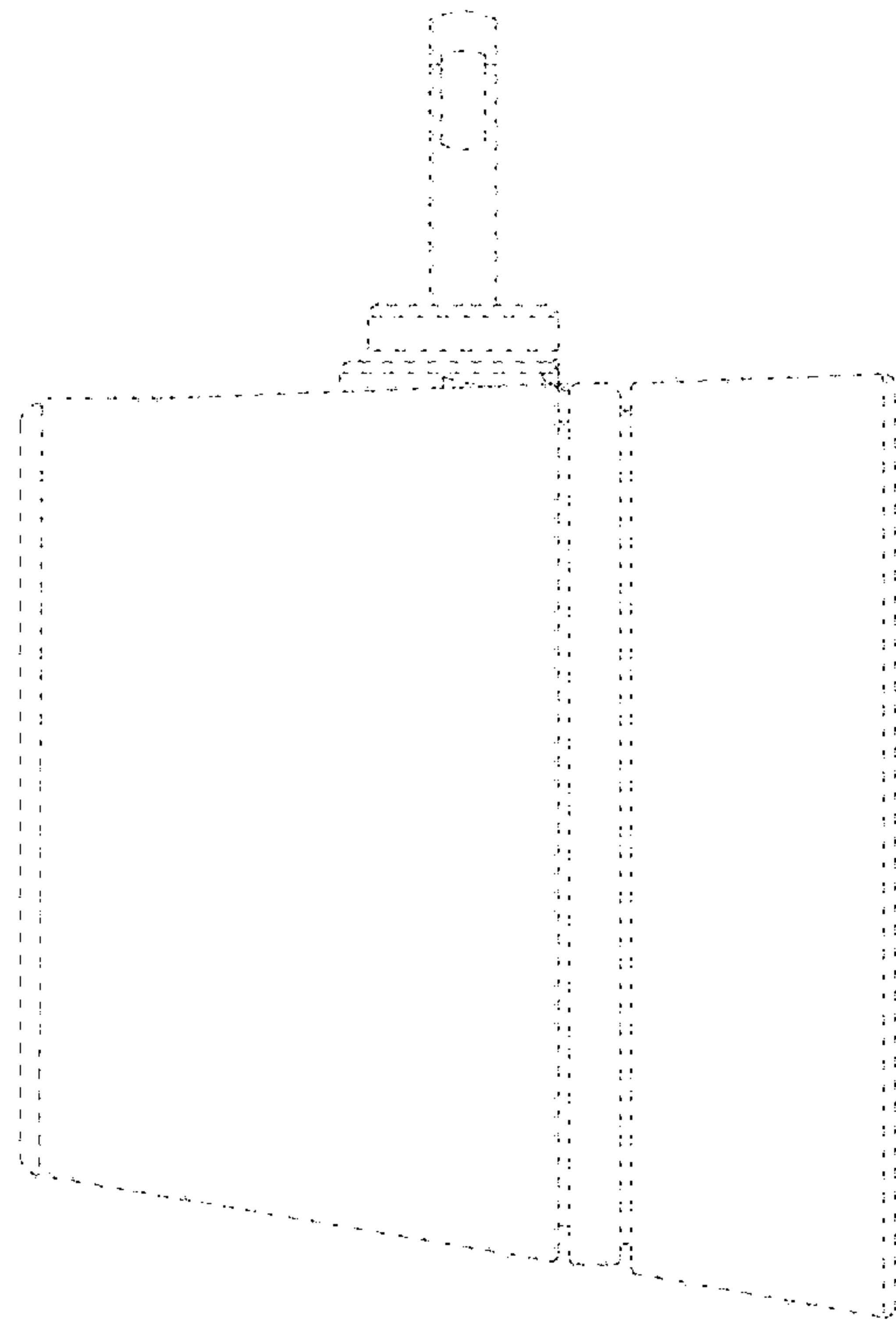


FIG. 5

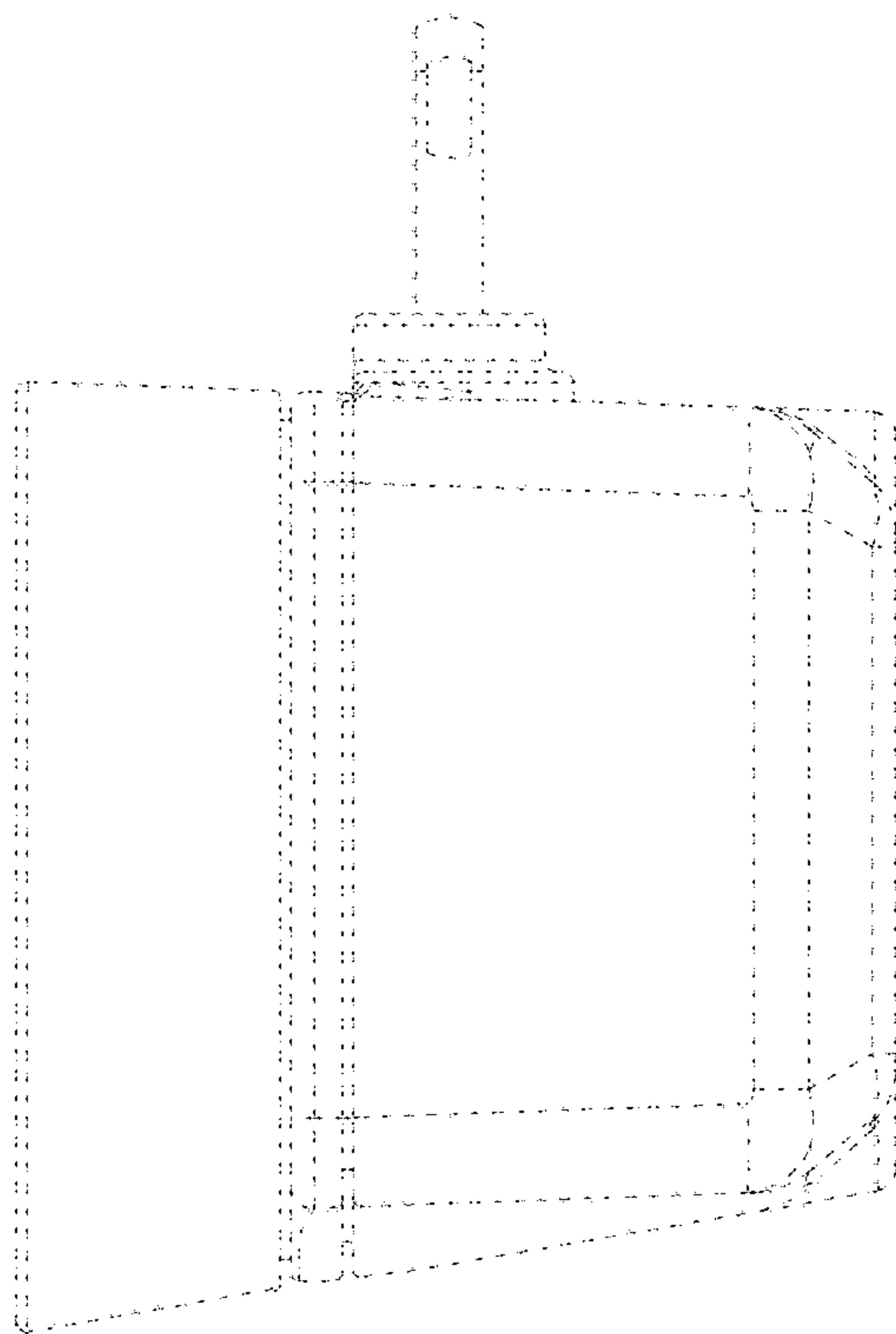


FIG. 6

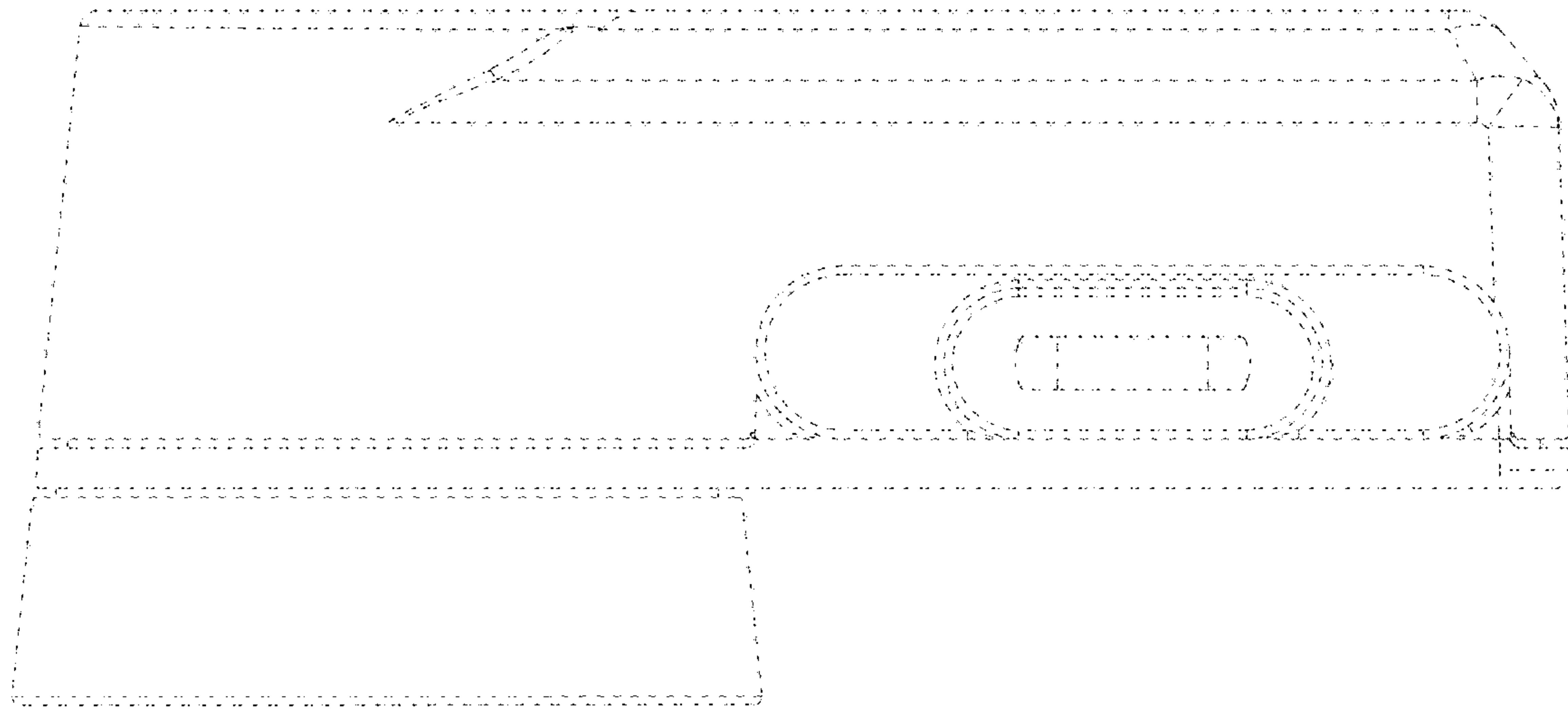


FIG. 7

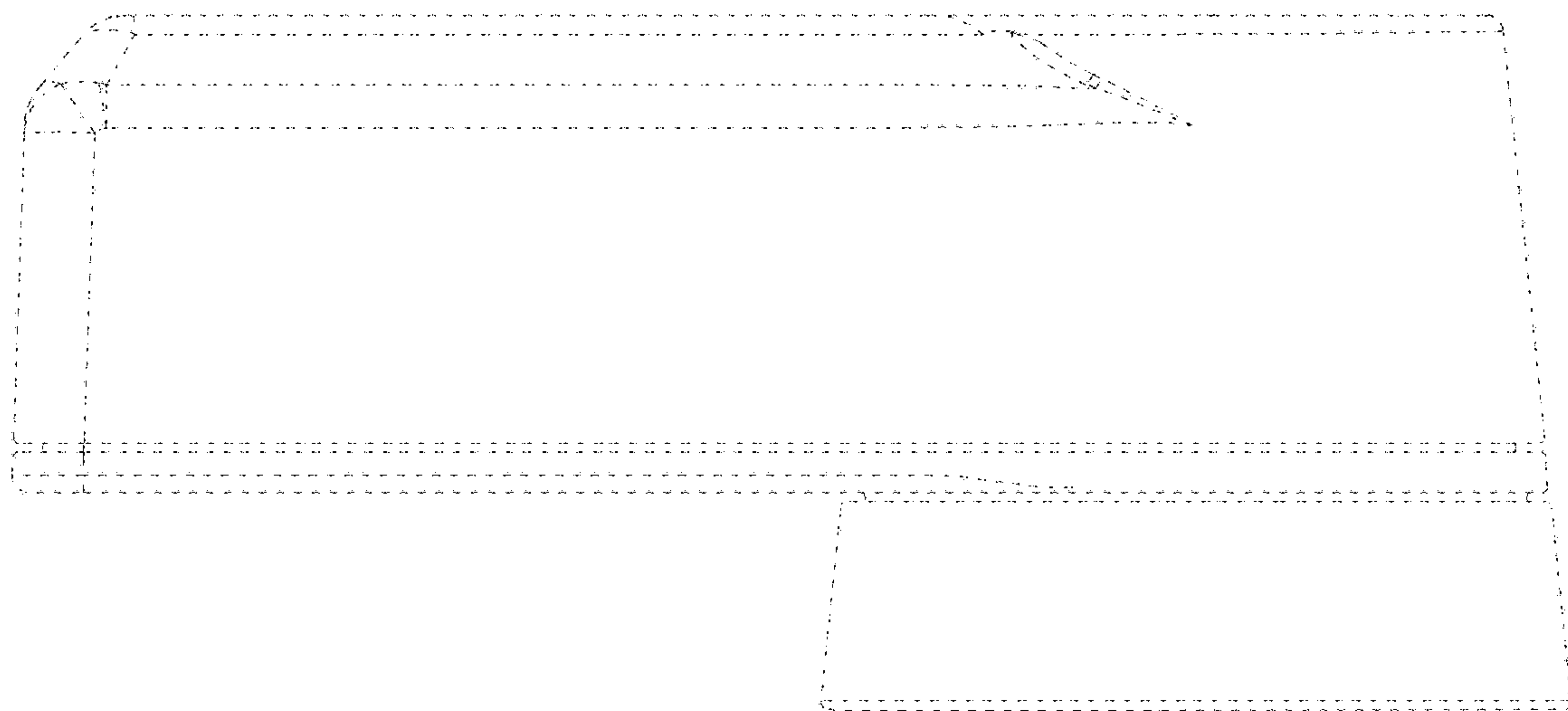


FIG. 8