



US00D804561S

(12) **United States Design Patent** (10) **Patent No.:** **US D804,561 S**  
**Luo et al.** (45) **Date of Patent:** **\*\* Dec. 5, 2017**

(54) **INTERNET VIDEO CAMERA**

(71) Applicant: **HangZhou Hikvision Digital Technology Co., Ltd.**, Hangzhou (CN)

(72) Inventors: **Chenfu Luo**, Hangzhou (CN); **Haiqing Jiang**, Hangzhou (CN)

(73) Assignee: **HANGZHOU EZVIZ NETWORK CO., LTD.**, Hangzhou (CN)

(\*\*) Term: **15 Years**

(21) Appl. No.: **29/534,665**

(22) Filed: **Jul. 30, 2015**

(30) **Foreign Application Priority Data**

Mar. 24, 2015 (CN) ..... 2015 3 0072099

(51) **LOC (10) Cl.** ..... **16-01**

(52) **U.S. Cl.**  
USPC ..... **D16/202**; D16/203

(58) **Field of Classification Search**

USPC ..... D16/200, 202, 203, 208, 211, 214, 215,  
D16/218, 219, 224, 242, 244, 250;  
D10/118.2; D14/159; D8/394  
CPC ..... B60R 11/00; G02B 23/16; G02B 23/18;  
H04M 1/04; G03B 17/00; G03B 17/02;  
G03B 17/04; H04N 5/2251; H04N  
5/2252; H04N 5/2253; H04N 5/2254;  
H04N 7/147; H04N 7/15

See application file for complete search history.

(56) **References Cited**

**U.S. PATENT DOCUMENTS**

D387,082 S \* 12/1997 Christensen ..... D16/242  
D447,758 S \* 9/2001 Lin ..... D16/202  
D533,575 S \* 12/2006 Reawsanguanwong ..... D16/202  
7,303,171 B1 \* 12/2007 Chen ..... B60R 11/00  
224/908  
D573,622 S \* 7/2008 Fisher ..... D16/202  
D575,316 S \* 8/2008 Liu ..... D16/202

(Continued)

**OTHER PUBLICATIONS**

“Overview home surveillance camera EZVIZ C2C”, posted at vilianov.com, Aug. 12, 2016, [site visited Aug. 25, 2016]. Available from Internet: <http://web.archive.org/web/20160812001932/http://vilianov.com/hard\_upgrade/obzor-domashney-kamery-videonablyudeniya-ezviz-c2c-nedremlyushee-oko-s-obratnoy-svyazy>.\*

(Continued)

*Primary Examiner* — Karen E Kearney

*Assistant Examiner* — John M Otte

(74) *Attorney, Agent, or Firm* — Kinney & Lange, P.A.

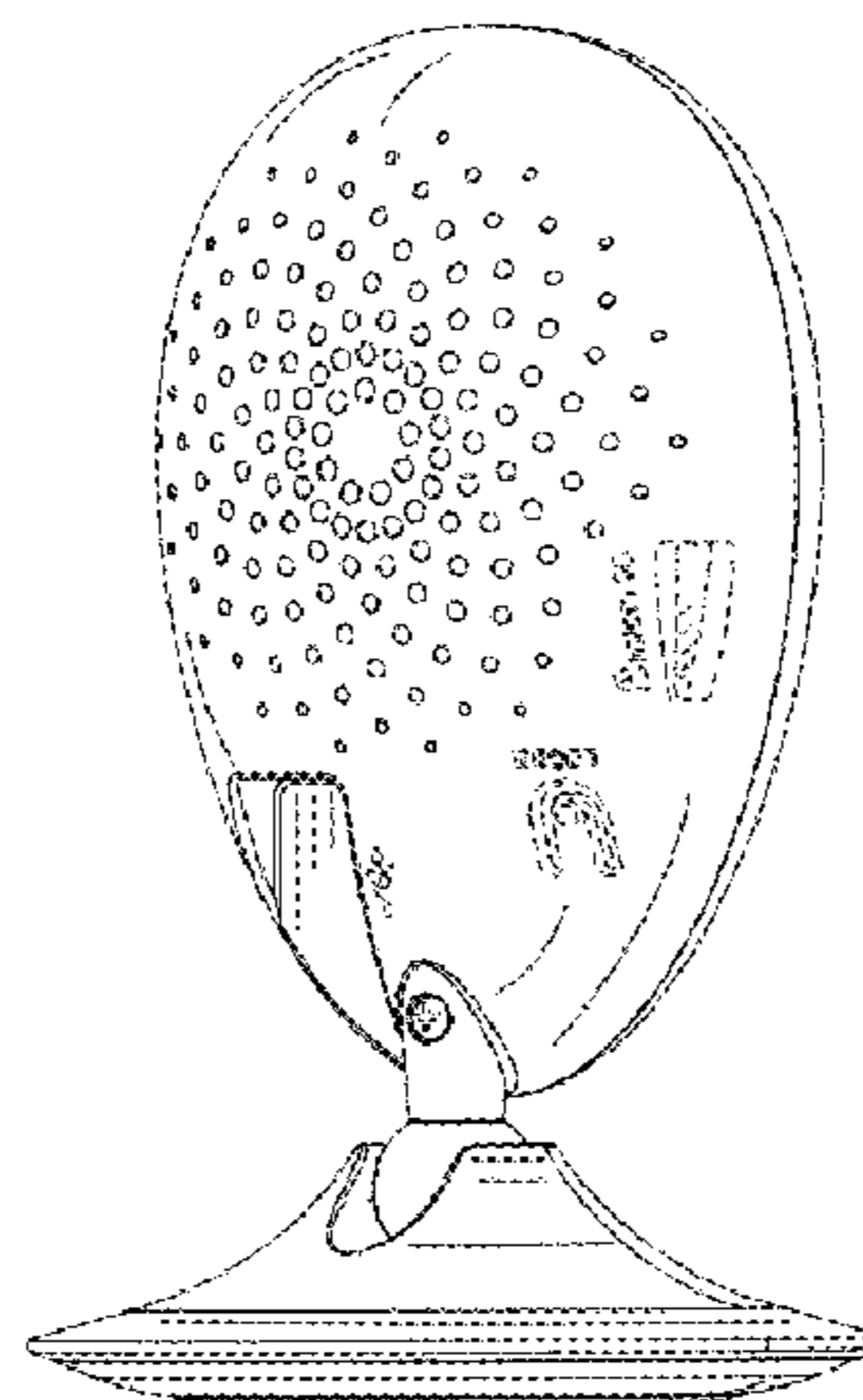
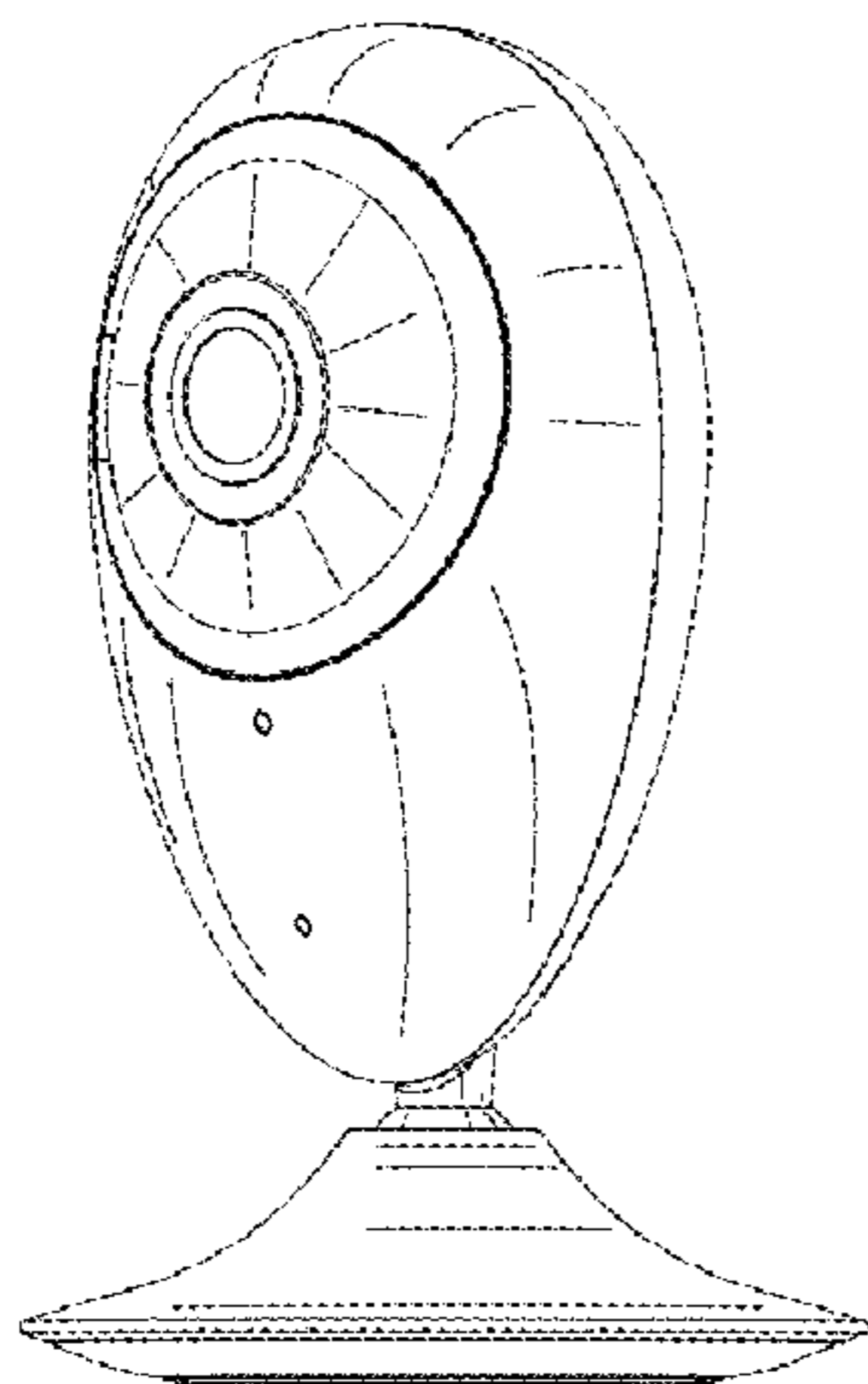
(57) **CLAIM**

The ornamental design for a internet video camera, as shown and described.

**DESCRIPTION**

FIG. 1 is front elevational view thereof;  
FIG. 2 is a rear elevational view thereof;  
FIG. 3 is a right side view thereof;  
FIG. 4 is a left side view thereof;  
FIG. 5 is a top view thereof;  
FIG. 6 is a bottom view thereof;  
FIG. 7 is a front perspective view thereof; and  
FIG. 8 is a rear perspective view of the design in a first configuration position; and  
FIG. 9 is front elevational view thereof;  
FIG. 10 is a rear elevational view thereof;  
FIG. 11 is a right side view thereof;  
FIG. 12 is a left side view thereof;  
FIG. 13 is a top view thereof;  
FIG. 14 is a bottom view thereof;  
FIG. 15 is a front perspective view thereof; and,  
FIG. 16 is a rear perspective view thereof.  
The claim does not cover those features that appear in broken lines in the drawings, including any text that appears in the drawings.

**1 Claim, 2 Drawing Sheets**



(56)

**References Cited**

## U.S. PATENT DOCUMENTS

D624,108	S	*	9/2010	Wang	.....	D16/219
D651,633	S	*	1/2012	Park	.....	D16/203
D681,601	S	*	5/2013	Gebski	.....	D14/159
D730,421	S	*	5/2015	Huang	.....	D16/202
D736,743	S	*	8/2015	Kowaki	.....	D14/215
D741,932	S	*	10/2015	Huang	.....	D16/202
D757,835	S	*	5/2016	Tabuchi	.....	D16/203

## OTHER PUBLICATIONS

Martin, Jim, "Nest Cam release date, price, features UK: New home monitoring camera and updated Nest Protect", posted at pcdvisor.co.uk, Jun. 18, 2015, [site visited Aug. 24, 2016]. Available from Internet: <<http://www.pcdvisor.co.uk/new-product/digital-home/nest-cam-release-date-price-features-uk-3616252>>.\*

Strietelmeier, Julie, "FLIR FX security camera review", posted at the-gadgeteer.com, Jun. 16, 2015, [site visited Aug. 24, 2016]. Available from Internet: <<http://the-gadgeteer.com/2015/06/16/flir-fx-security-camera-review>>.\*

"Belkin Netcam vs Samsung SmartCam HD Pro vs Dropcam Pro", posted at securitygem.com, Oct. 16, 2014, [site visited Aug. 24, 2016]. Available from Internet: <<http://www.securitygem.com/belkin-netcam-vs-samsung-smartcam-hd-pro-vs-dropcam-pro>>.\*

\* cited by examiner

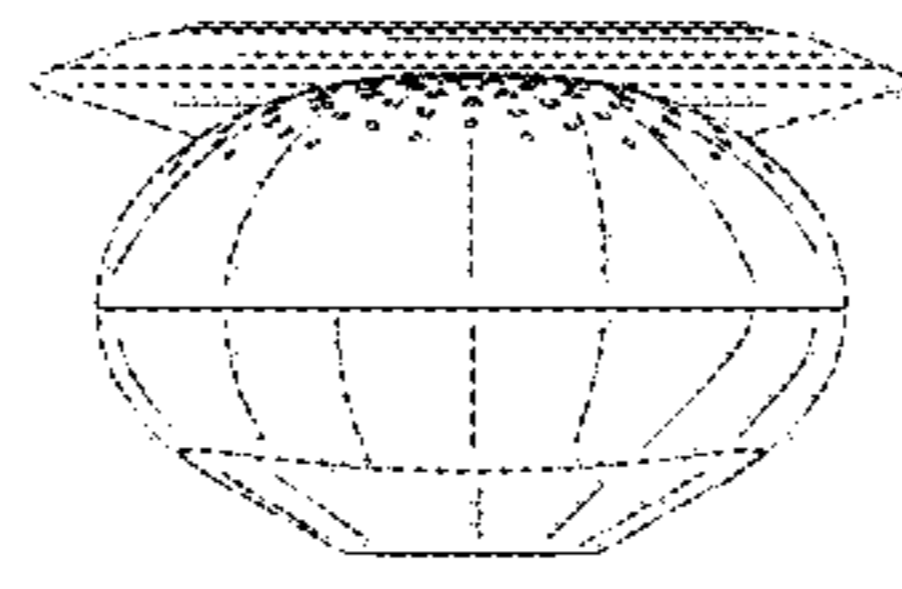


FIG. 5

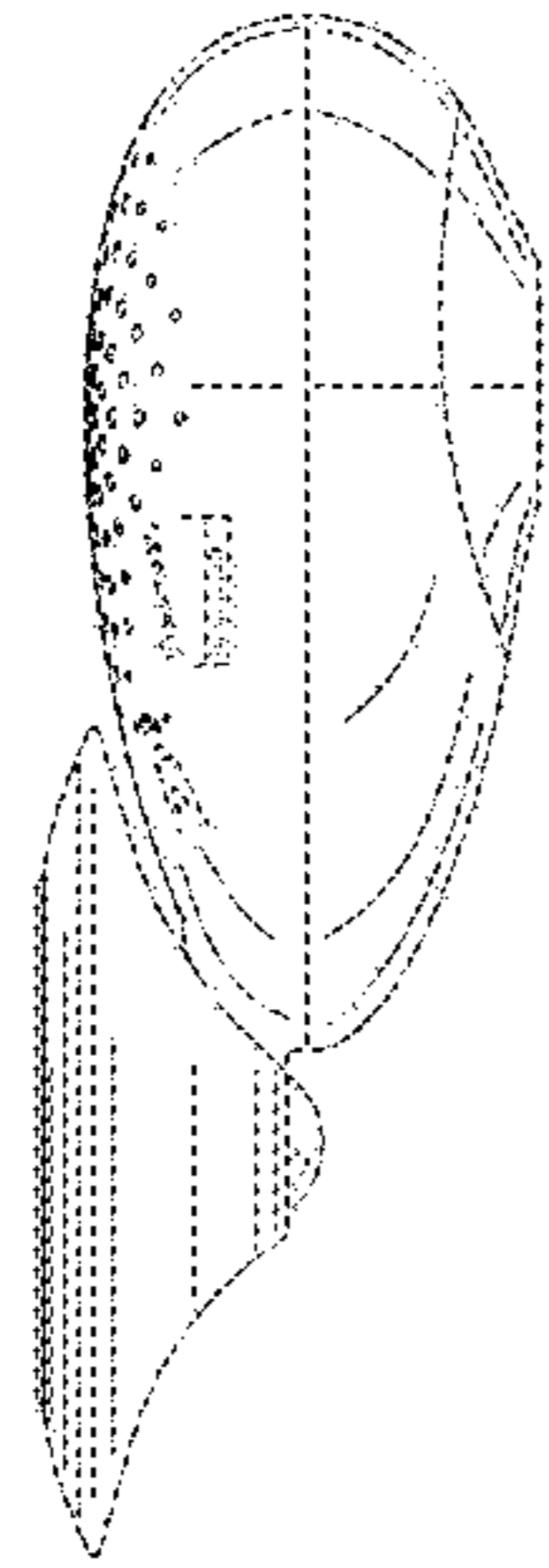


FIG. 4

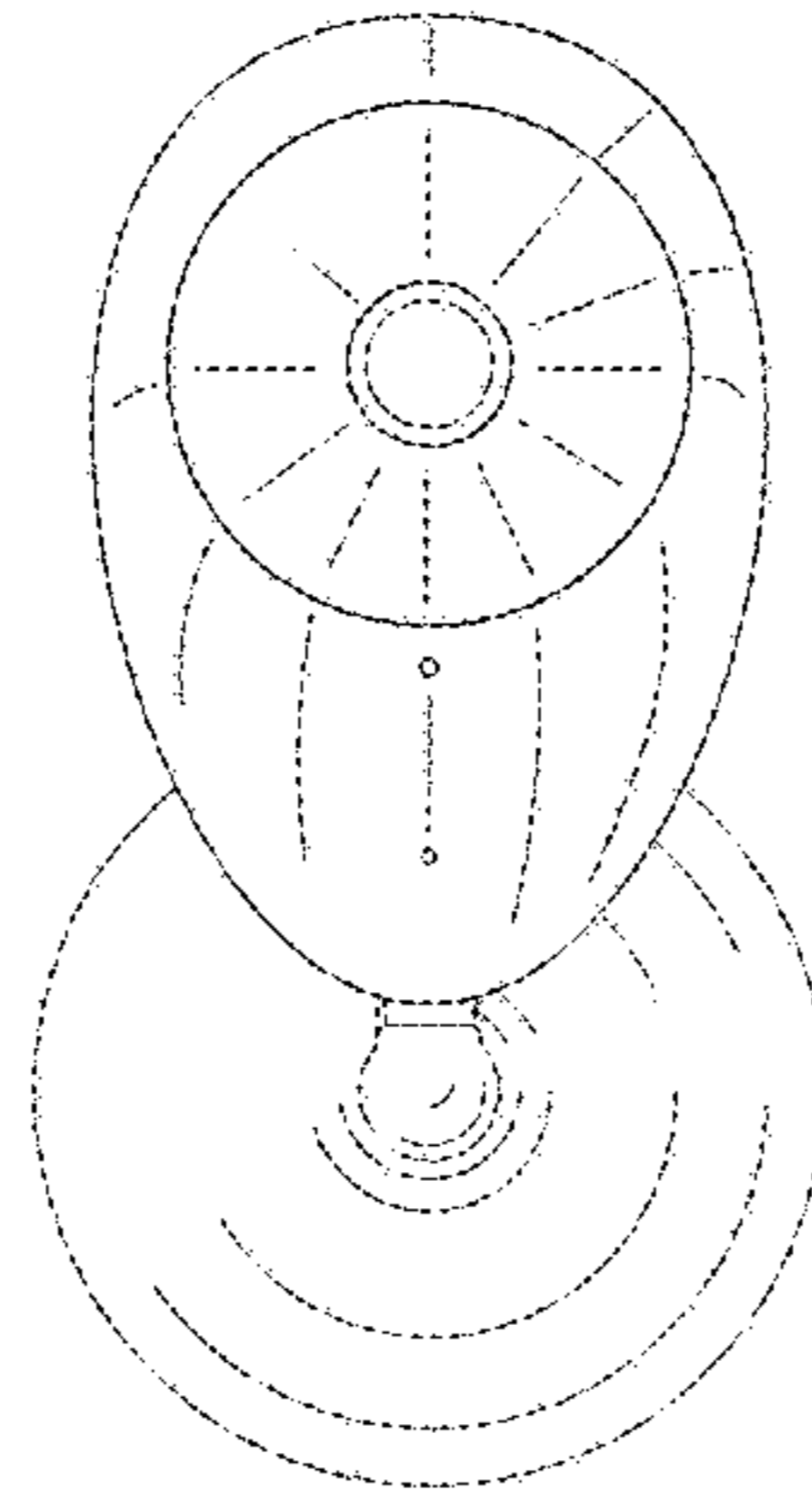


FIG. 1

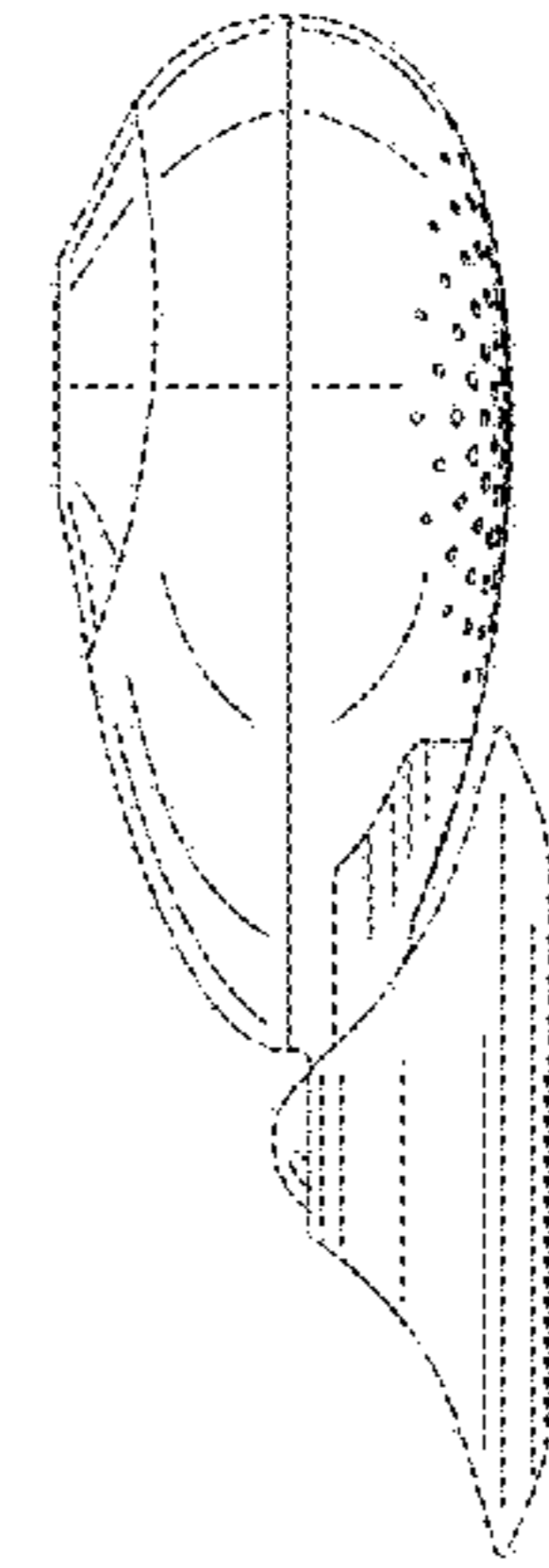


FIG. 3

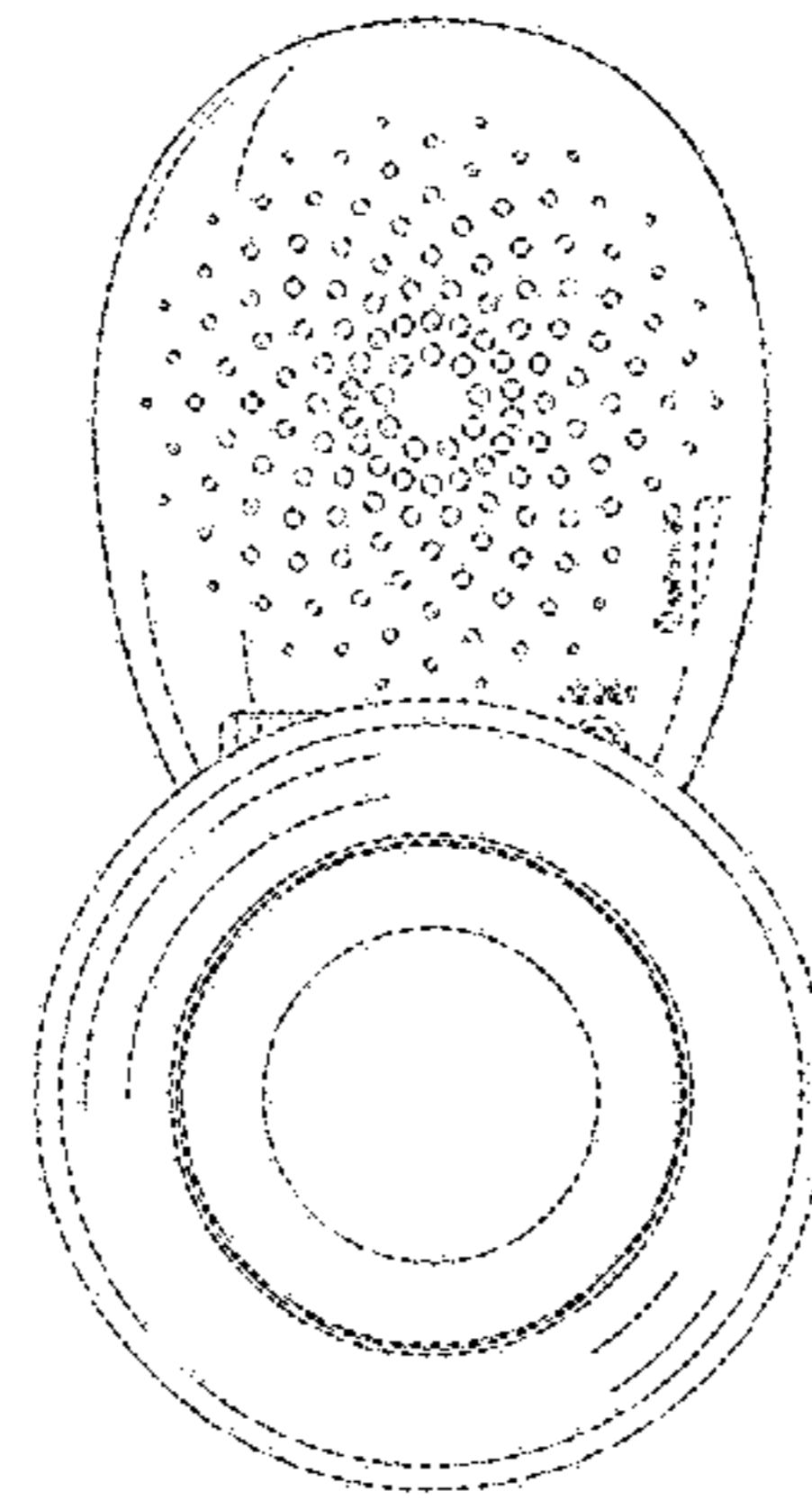


FIG. 2

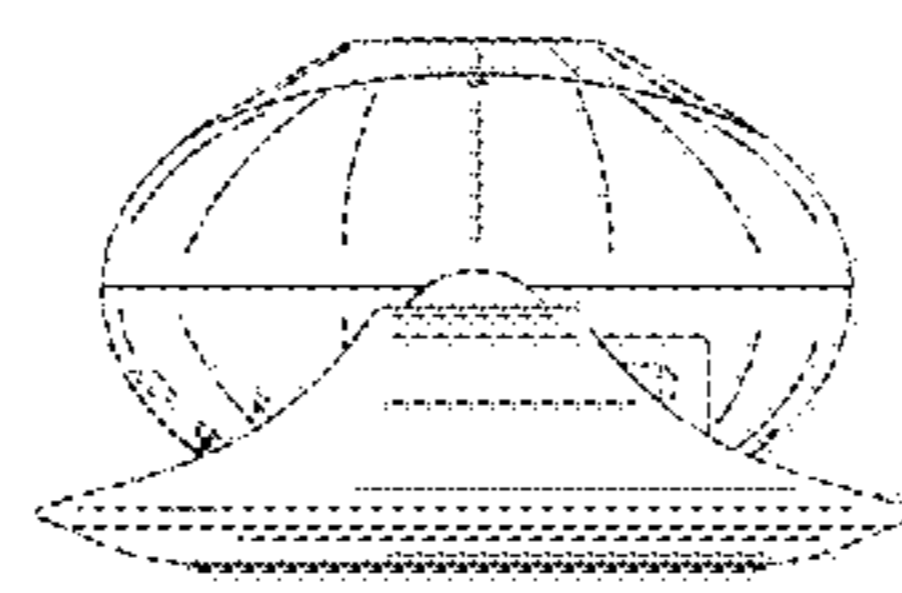


FIG. 6

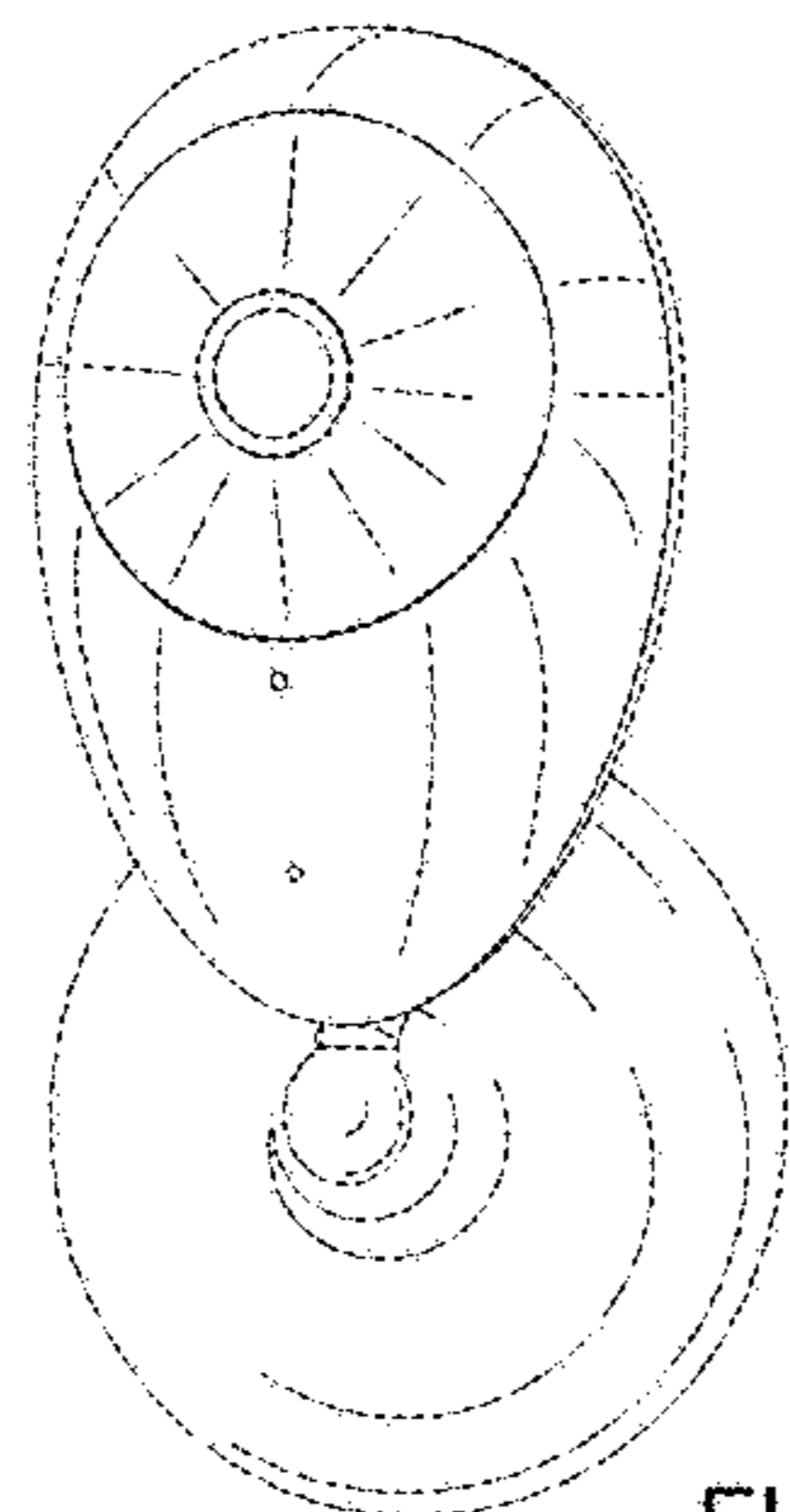


FIG. 7

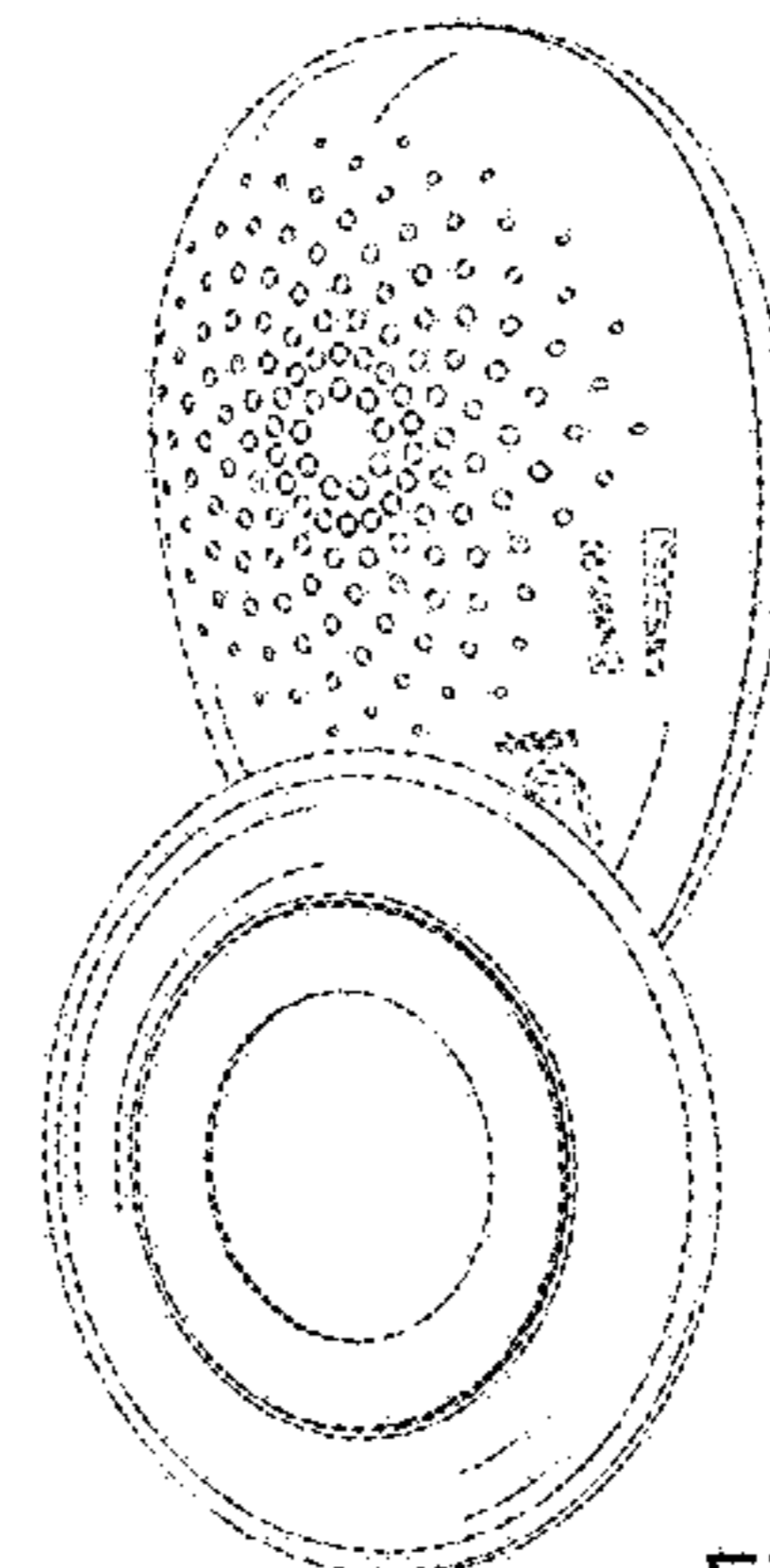


FIG. 8

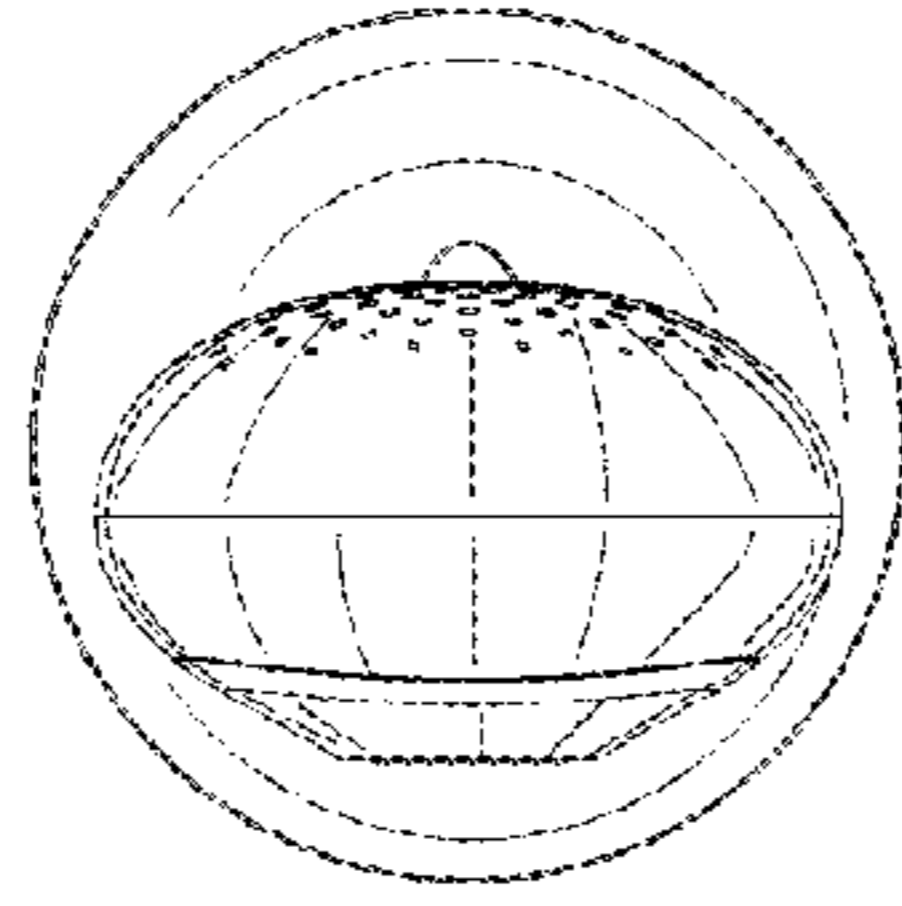


FIG. 13

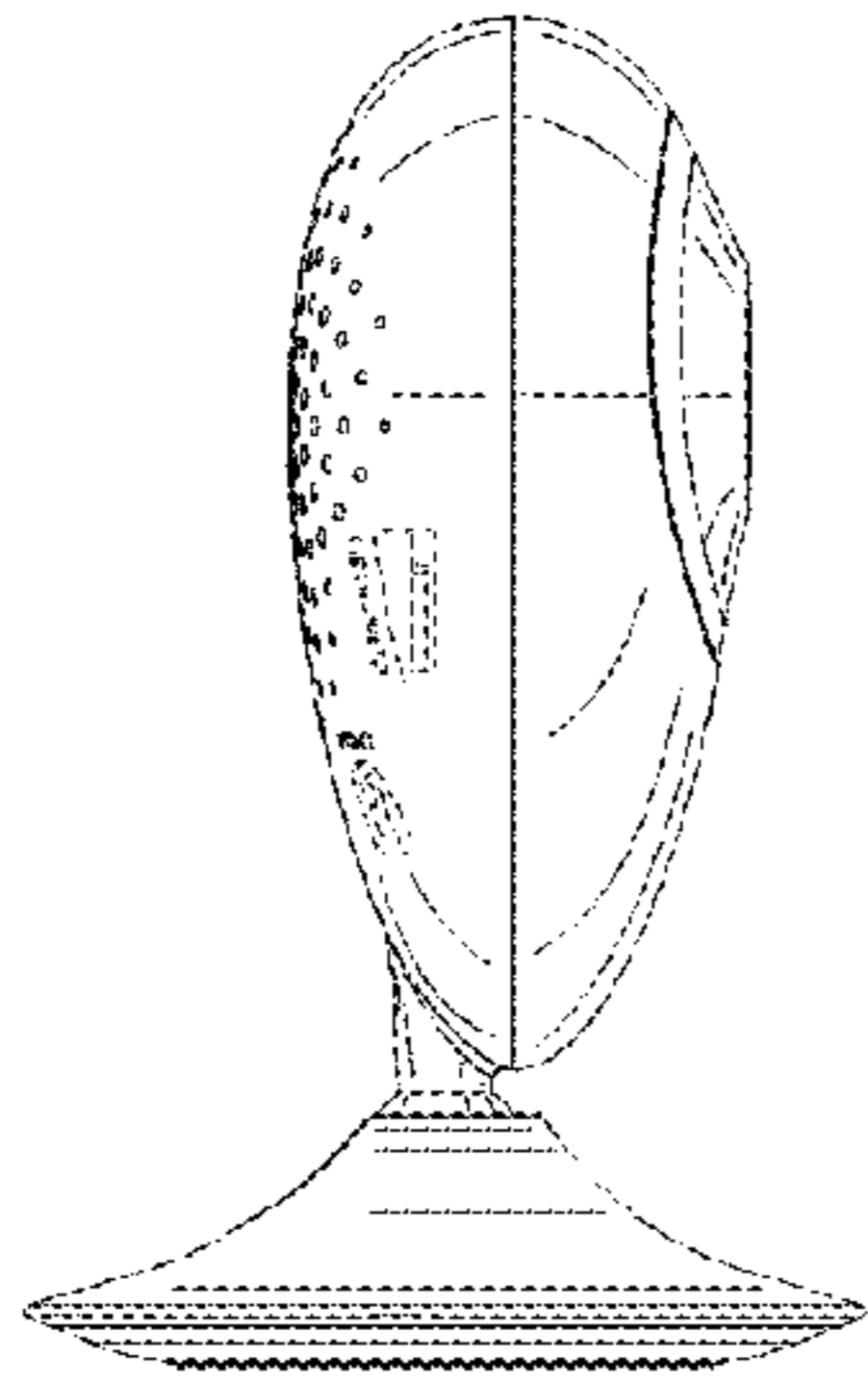


FIG. 12

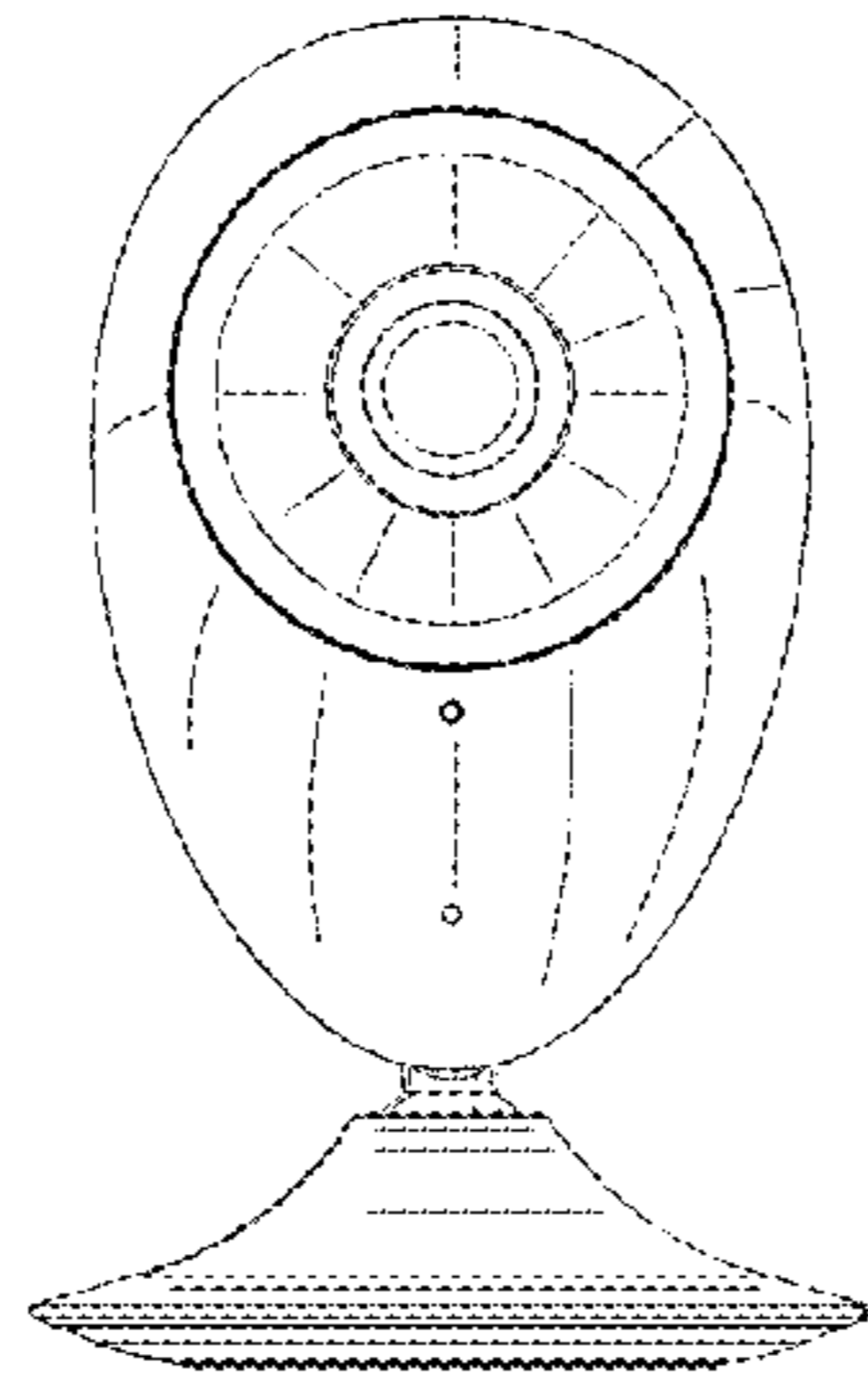


FIG. 9

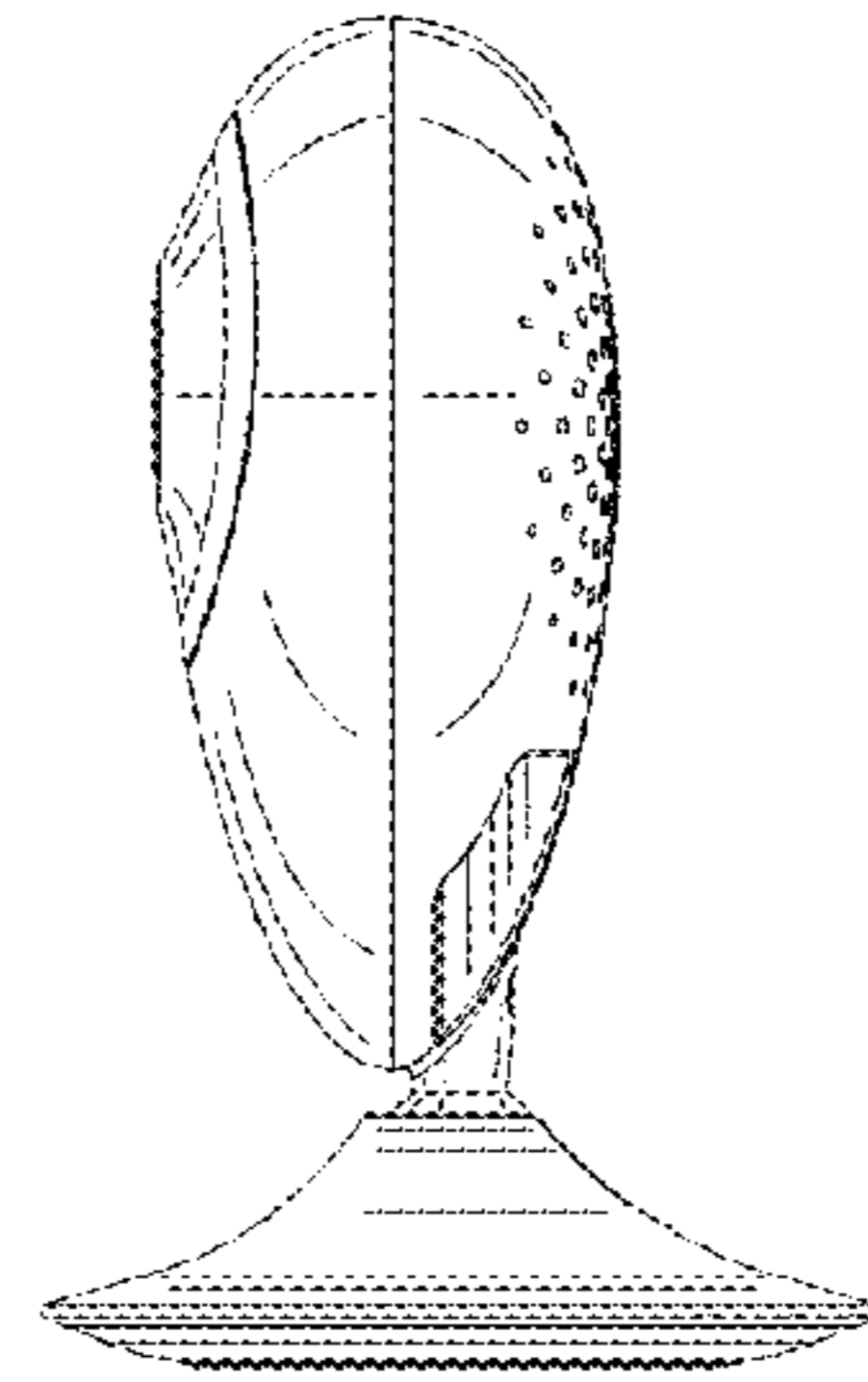


FIG. 11

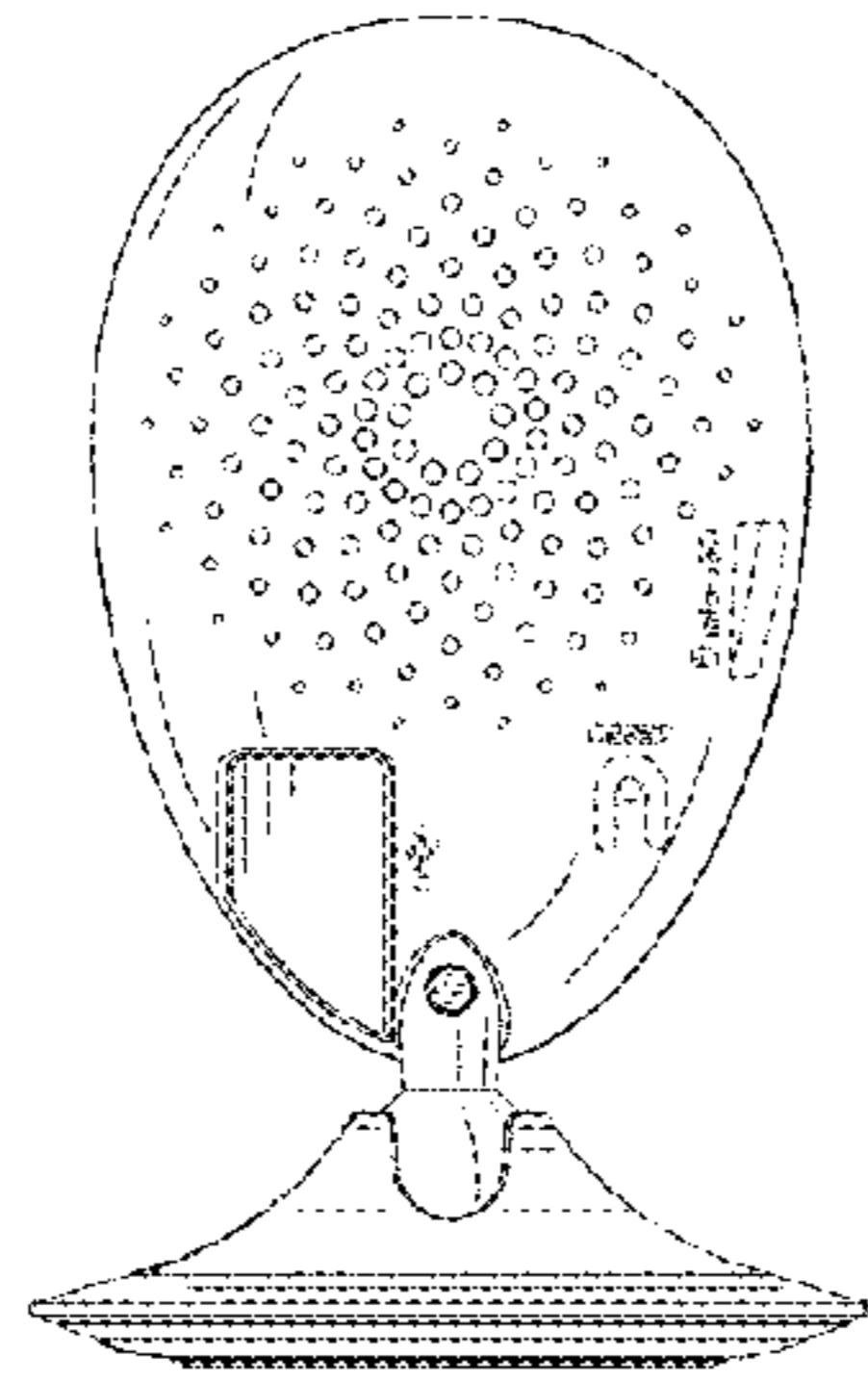


FIG. 10

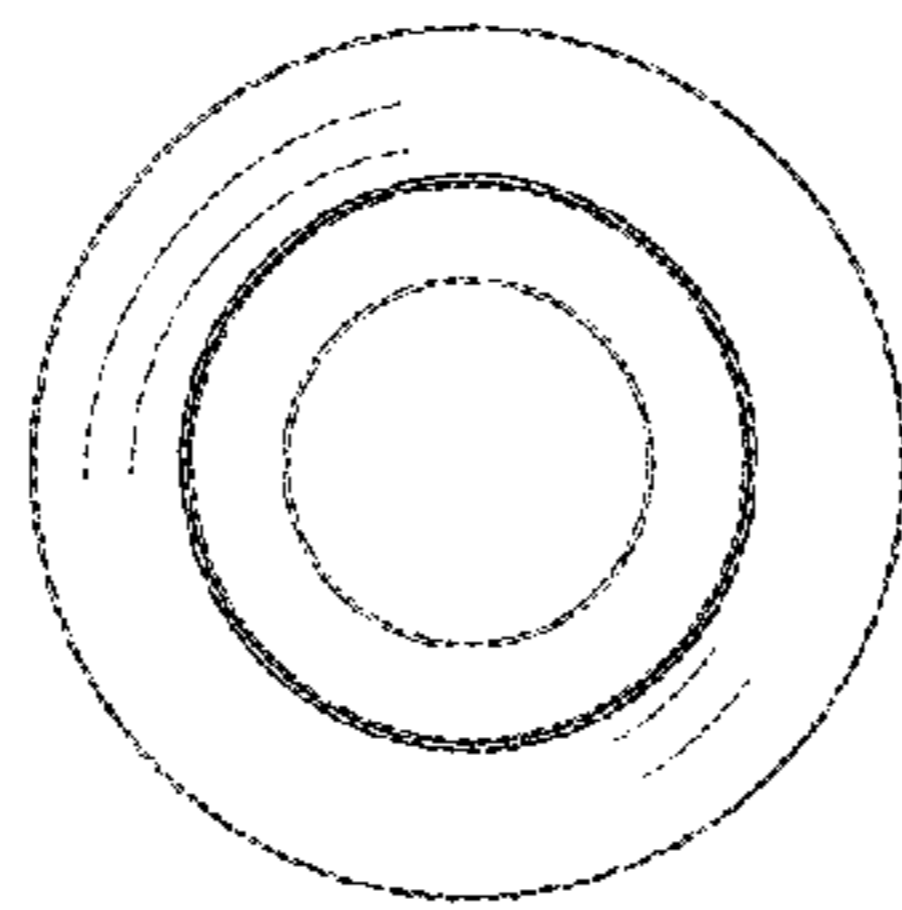


FIG. 14

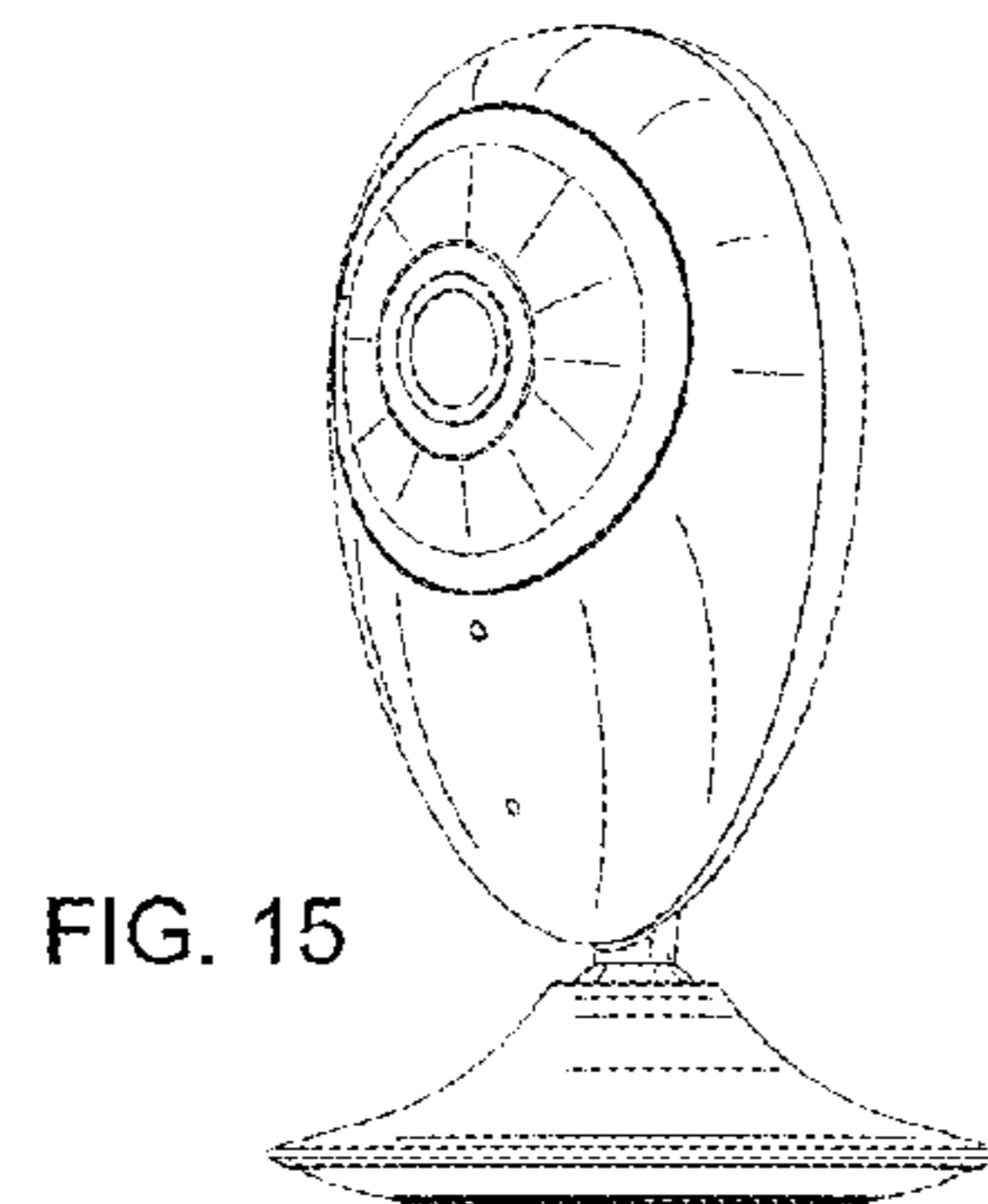


FIG. 15

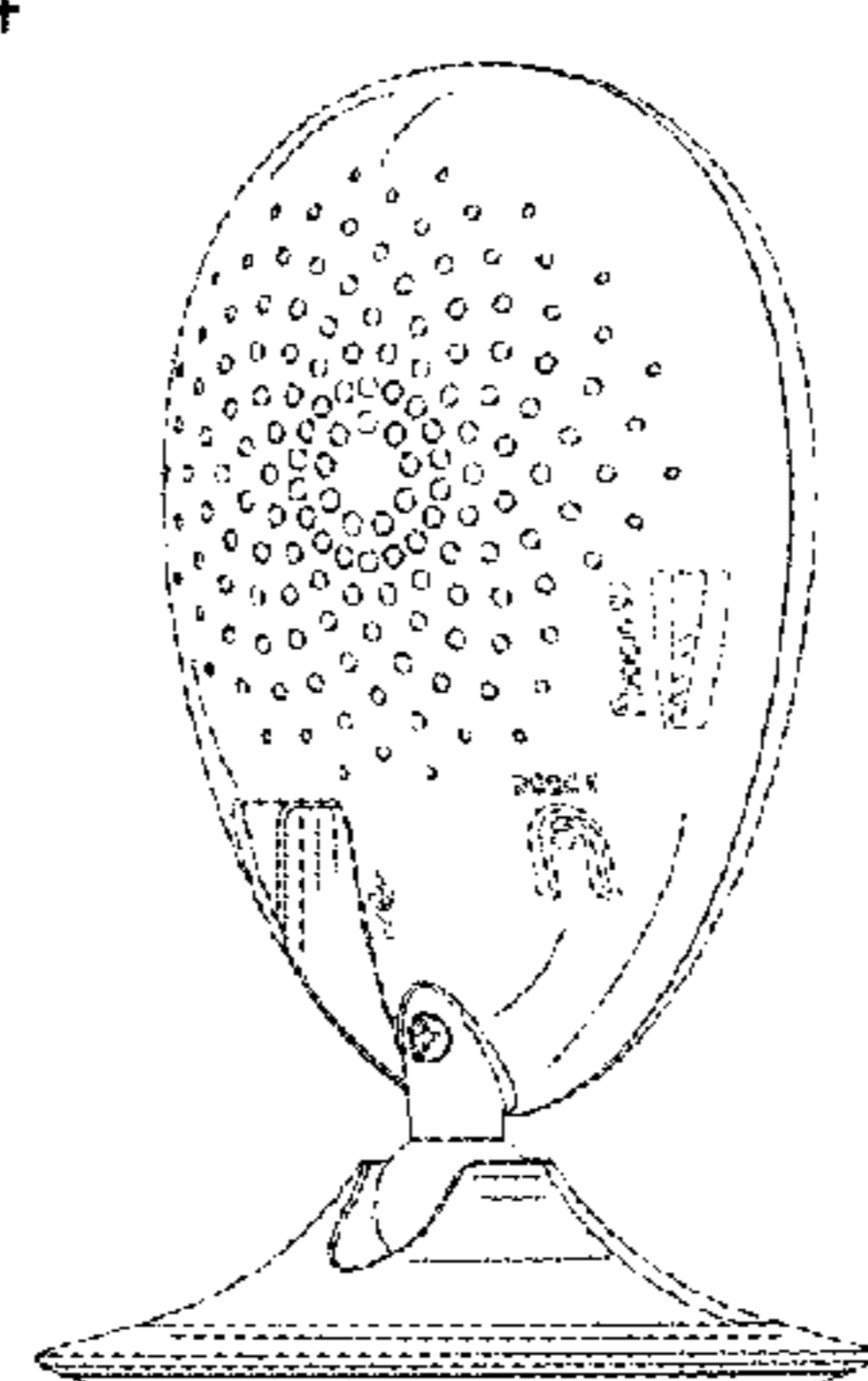


FIG. 16