



US00D804560S

(12) **United States Design Patent**  
**Costa et al.**

(10) **Patent No.:** **US D804,560 S**  
(45) **Date of Patent:** **\*\* Dec. 5, 2017**

- (54) **CAMERA HOUSING**
- (71) Applicant: **GoPro, Inc.**, San Mateo, CA (US)
- (72) Inventors: **Mark E. Costa**, Menlo Park, CA (US);  
**Richard Gioscia**, Santa Clara, CA (US)
- (73) Assignee: **GoPro, Inc.**, San Mateo, CA (US)
- (\*\*) Term: **15 Years**
- (21) Appl. No.: **29/550,973**
- (22) Filed: **Jan. 8, 2016**

**Related U.S. Application Data**

- (62) Division of application No. 29/492,291, filed on May 30, 2014, now Pat. No. Des. 750,146.
- (51) **LOC (10) Cl.** ..... **16-01**
- (52) **U.S. Cl.**  
USPC ..... **D16/200**
- (58) **Field of Classification Search**  
USPC ..... D16/200, 202–204, 208, 211, 218, 219,  
D16/237, 242; D3/263, 267, 268;  
248/176.1, 187.1; 348/81, 360, 373–376,  
348/835; 396/25, 27–29, 419, 535,  
396/539–541  
CPC ..... G03B 15/03; G03B 17/02; G03B 17/04;  
G03B 17/08; G03B 17/56; G03B 19/04;  
H04N 5/2251; H04N 5/2252; H04N  
5/2253; H04N 5/2254; A45C 11/38  
See application file for complete search history.

(56) **References Cited**

**U.S. PATENT DOCUMENTS**

D265,829 S	8/1982	Shimoda	
D321,704 S	* 11/1991	Leonard	..... D16/200
D367,283 S	2/1996	Lyon et al.	
D419,296 S	1/2000	Shinano	
D453,177 S	1/2002	Uehara	
D550,742 S	9/2007	Ishii	

7,653,292 B2 \* 1/2010 Yamaguchi ..... G03B 17/08  
348/81

D616,479 S 5/2010 Ganahl, Jr.  
D621,432 S 8/2010 Yim

(Continued)

**FOREIGN PATENT DOCUMENTS**

EP 002586602-0001 2/2015  
EP 002586602-0002 2/2015

**OTHER PUBLICATIONS**

GoPro, Inc., “Cameras,” 2014, 3 Pages, [online][Archived on webarchive.org on Mar. 30, 2014][Retrieved on Aug. 31, 2015] Retrieved from the internet <URL:https://web.archive.org/web/20140330221442/http://gopro.com/camera- s>.

*Primary Examiner* — Philip S Hyder

*Assistant Examiner* — Ramzi Almatrahi

(74) *Attorney, Agent, or Firm* — Fenwick & West LLP

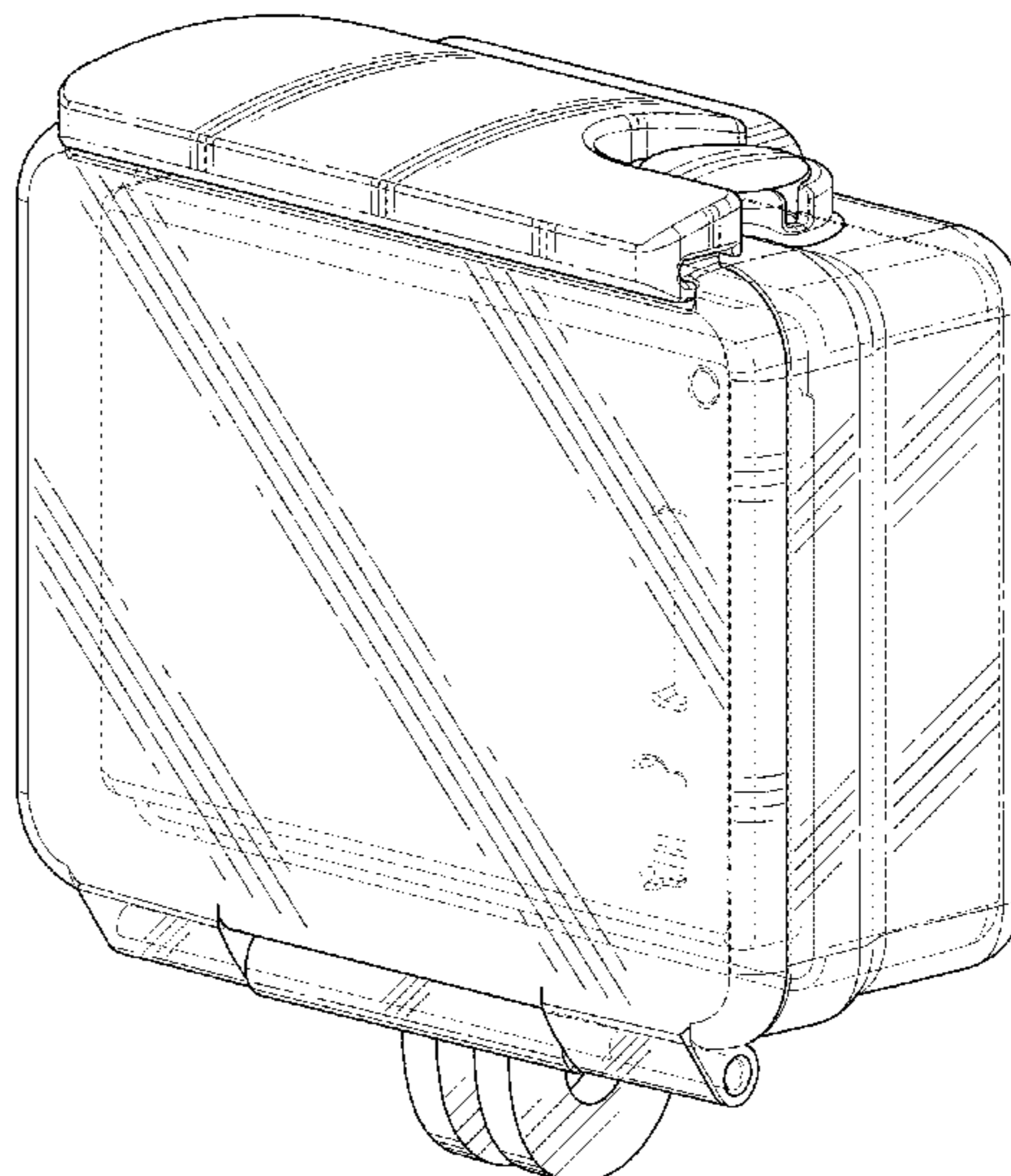
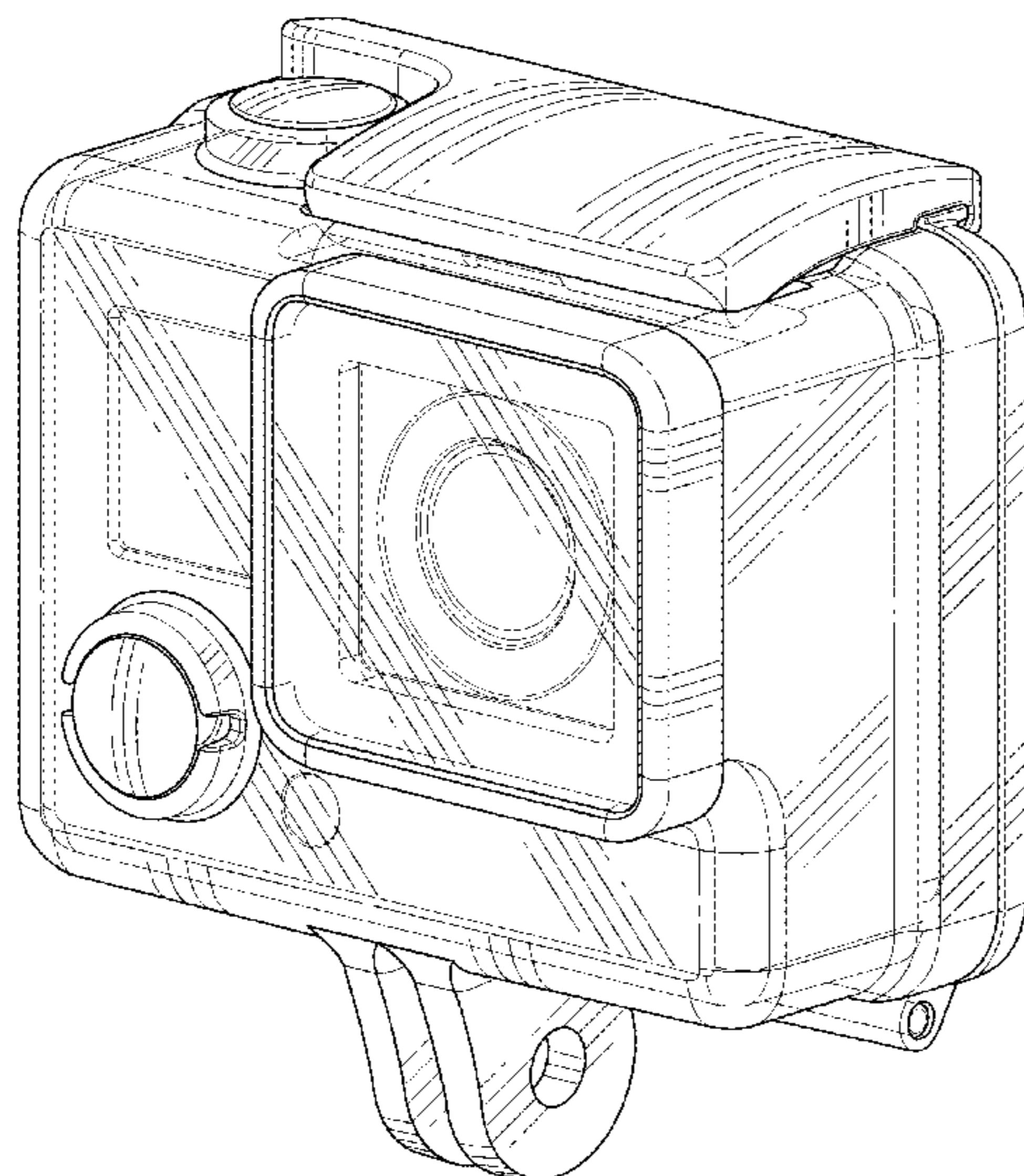
(57) **CLAIM**

The ornamental design for a camera housing, as shown and described.

**DESCRIPTION**

FIG. 1 is a front, top and right side perspective view of a camera housing showing our new design;  
FIG. 2 is a front, bottom, and left side perspective view thereof;  
FIG. 3 is a back, top, and left side perspective view thereof;  
FIG. 4 is a back, bottom, and right side perspective view thereof;  
FIG. 5 is a front elevational view thereof;  
FIG. 6 is a back elevational view thereof;  
FIG. 7 is a left side elevational view thereof;  
FIG. 8 is a right side elevational view thereof;  
FIG. 9 is a top plan view thereof; and,  
FIG. 10 is a bottom plan view thereof.

**1 Claim, 10 Drawing Sheets**



(56)

References Cited

U.S. PATENT DOCUMENTS

8,014,656 B2	9/2011	Woodman	D724,638 S	3/2015	Samuels et al.	
D646,313 S	10/2011	Woodman	D725,169 S	3/2015	Gioscia et al.	
D647,554 S	10/2011	Yim	D732,593 S	6/2015	Woodman	
D657,808 S	4/2012	Woodman	D734,799 S	7/2015	Woodman et al.	
D674,428 S	1/2013	Woodman	D735,790 S	8/2015	Gioscia et al.	
D674,429 S	1/2013	Woodman	D737,879 S	9/2015	Woodman et al.	
D684,569 S	6/2013	Willenborg	D739,451 S	9/2015	Gioscia et al.	
8,544,643 B2	10/2013	Yim	D740,868 S	10/2015	Gioscia et al.	
D699,276 S	2/2014	Samuels et al.	D740,876 S	10/2015	Woodman et al.	
D699,277 S	2/2014	Samuels et al.	D741,394 S	10/2015	Gioscia et al.	
D699,947 S	2/2014	To et al.	D750,146 S *	2/2016	Costa .....	D16/200
D700,778 S	3/2014	To et al.	D750,680 S	3/2016	Chen	
D702,276 S	4/2014	Woodman	D763,941 S *	8/2016	Smith .....	D16/200
D702,277 S	4/2014	Woodman	D776,741 S *	1/2017	Parfitt .....	D16/204
D702,747 S	4/2014	Woodman et al.	D778,335 S *	2/2017	Gioscia .....	D16/200
D710,921 S	8/2014	Gioscia et al.	D785,697 S *	5/2017	Costa .....	D16/242
D710,922 S	8/2014	Gioscia et al.	2007/0071423 A1	3/2007	Fantone et al.	
8,837,928 B1	9/2014	Clearman et al.	2009/0032420 A1	2/2009	Zenzai	
D721,395 S	1/2015	Woodman et al.	2009/0110380 A1	4/2009	Fantone et al.	
D724,637 S	3/2015	Samuels et al.	2009/0317069 A1 *	12/2009	Yim .....	G03B 17/08 396/27
			2011/0147245 A1	6/2011	Yim	

\* cited by examiner

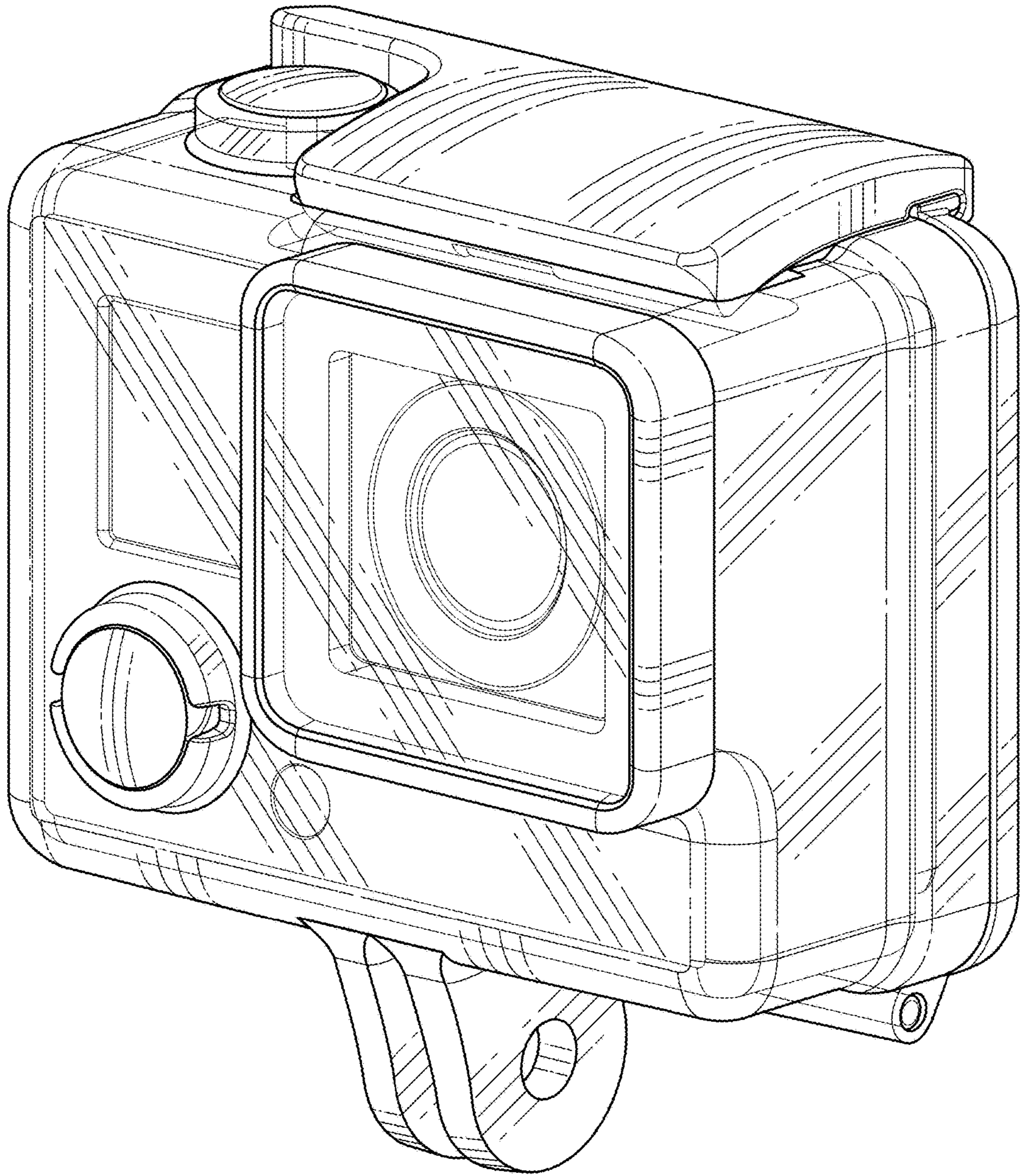


FIG. 1

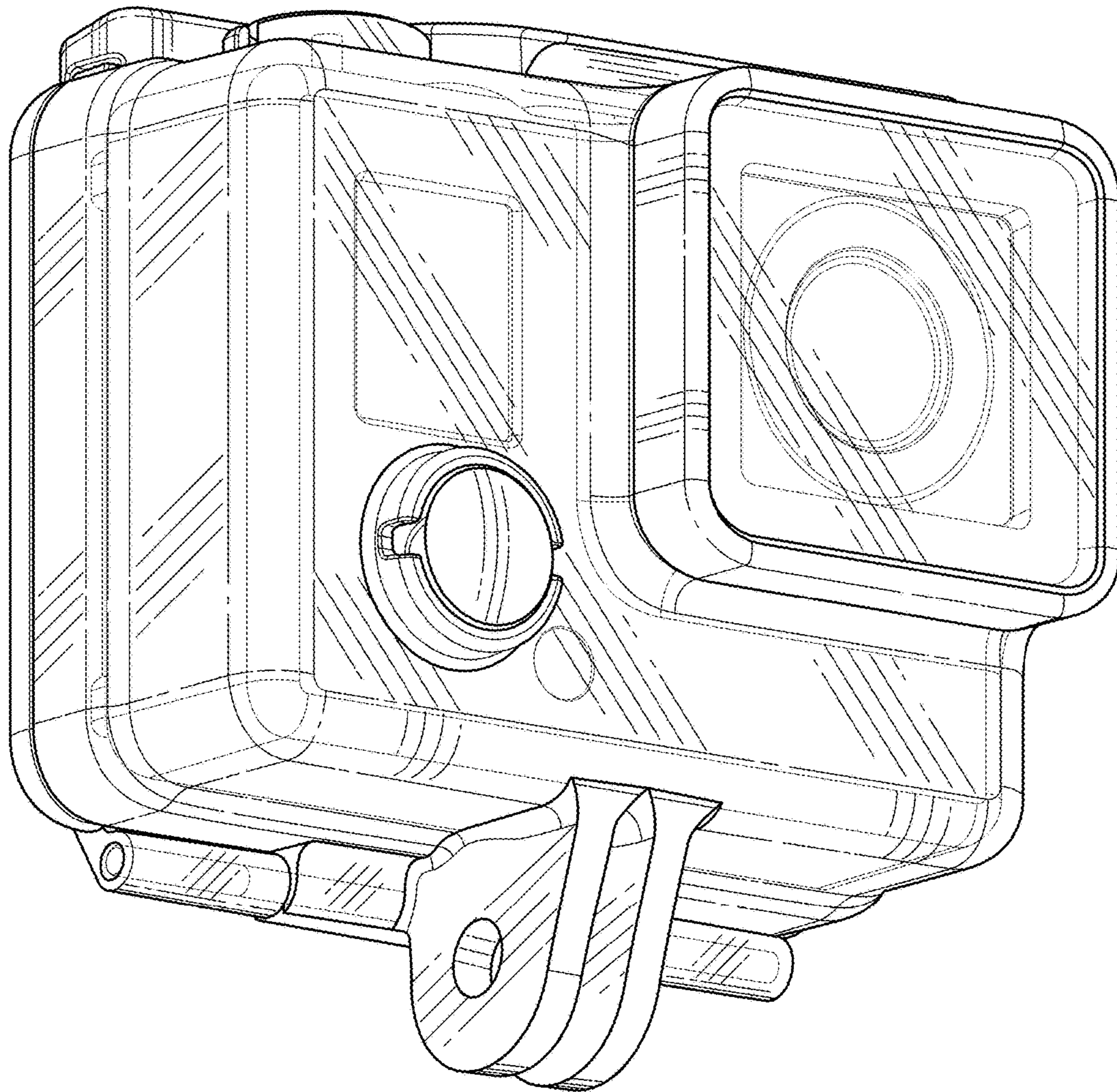


FIG. 2

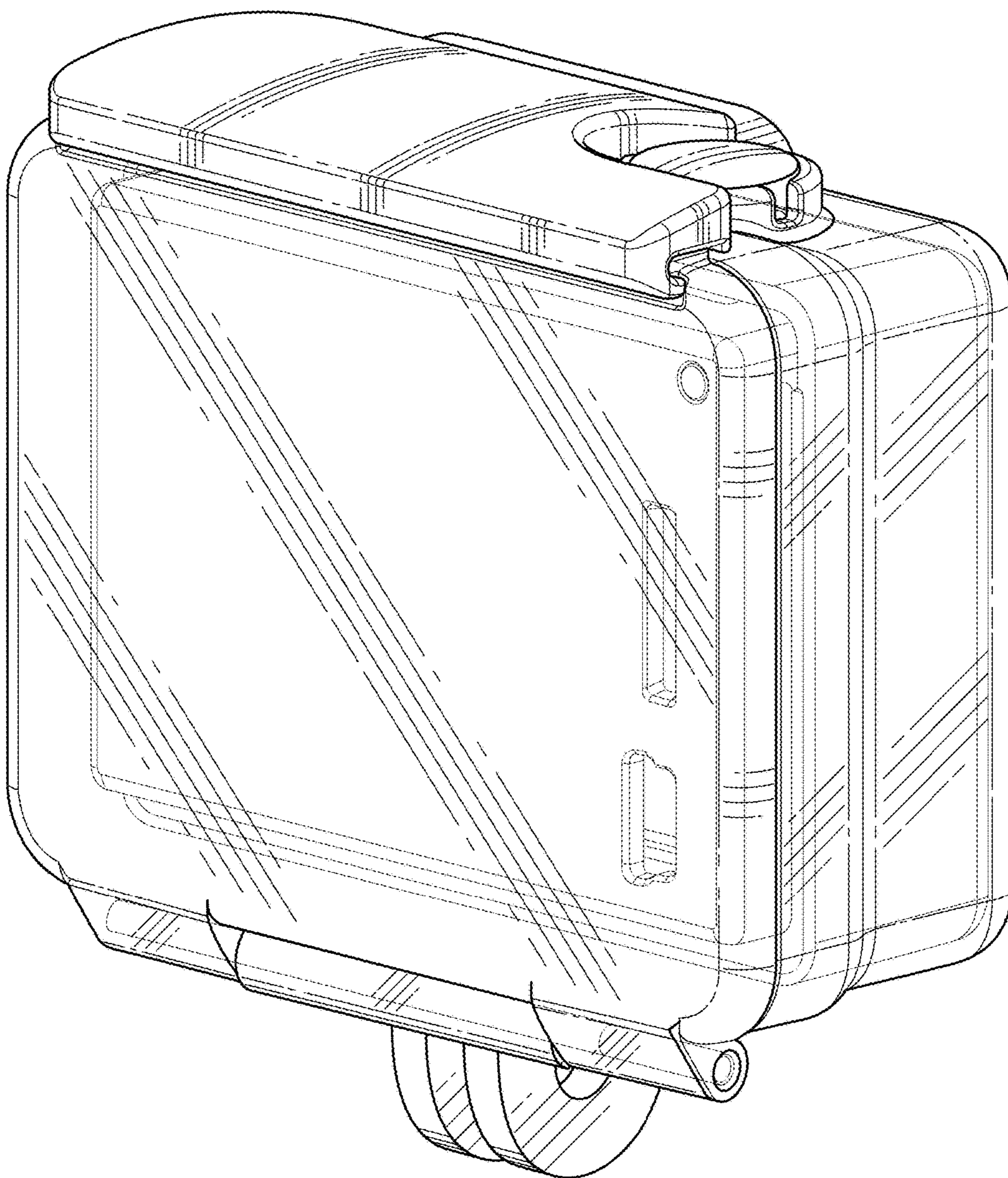


FIG. 3

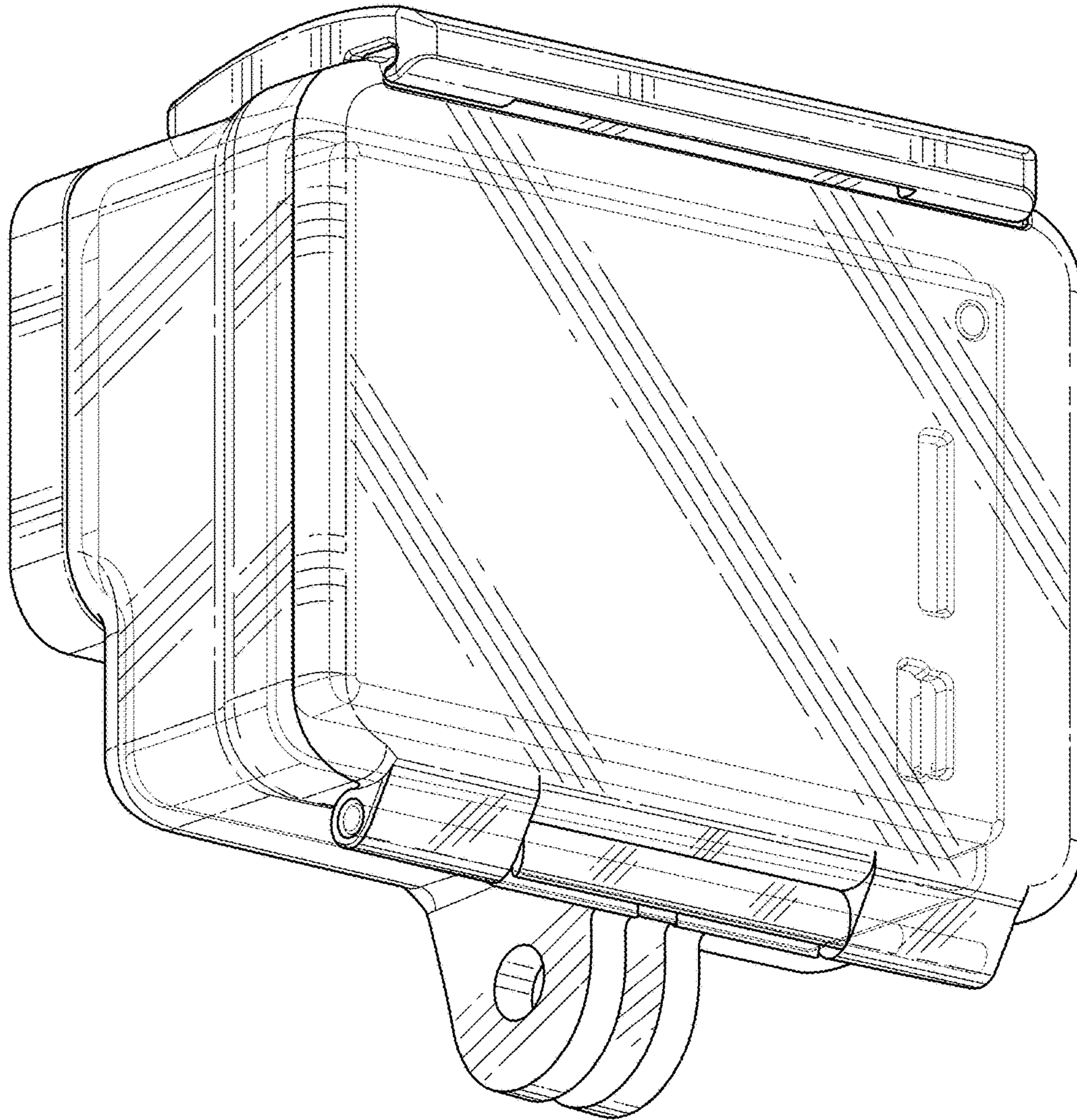


FIG. 4

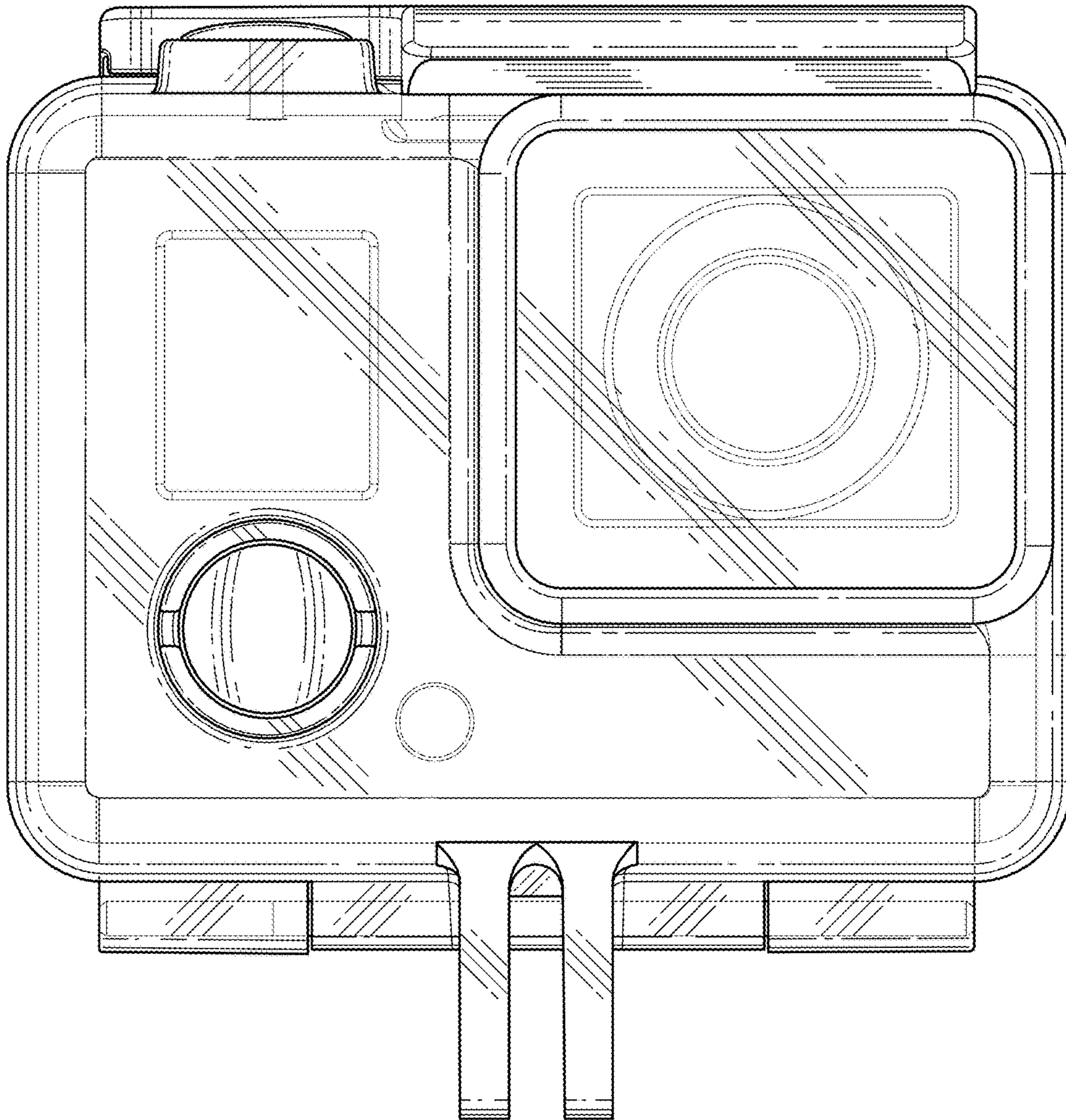


FIG. 5

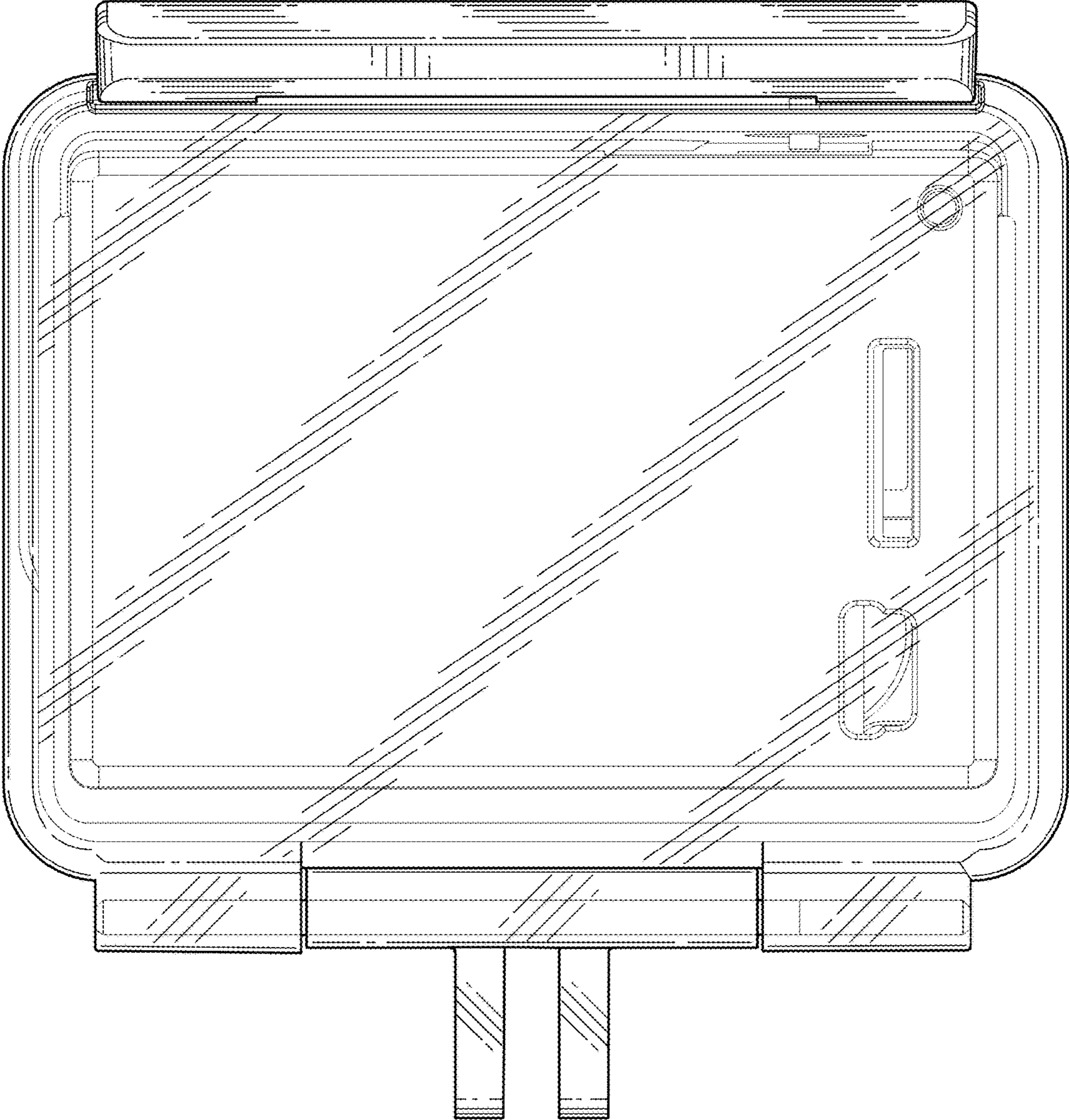


FIG. 6



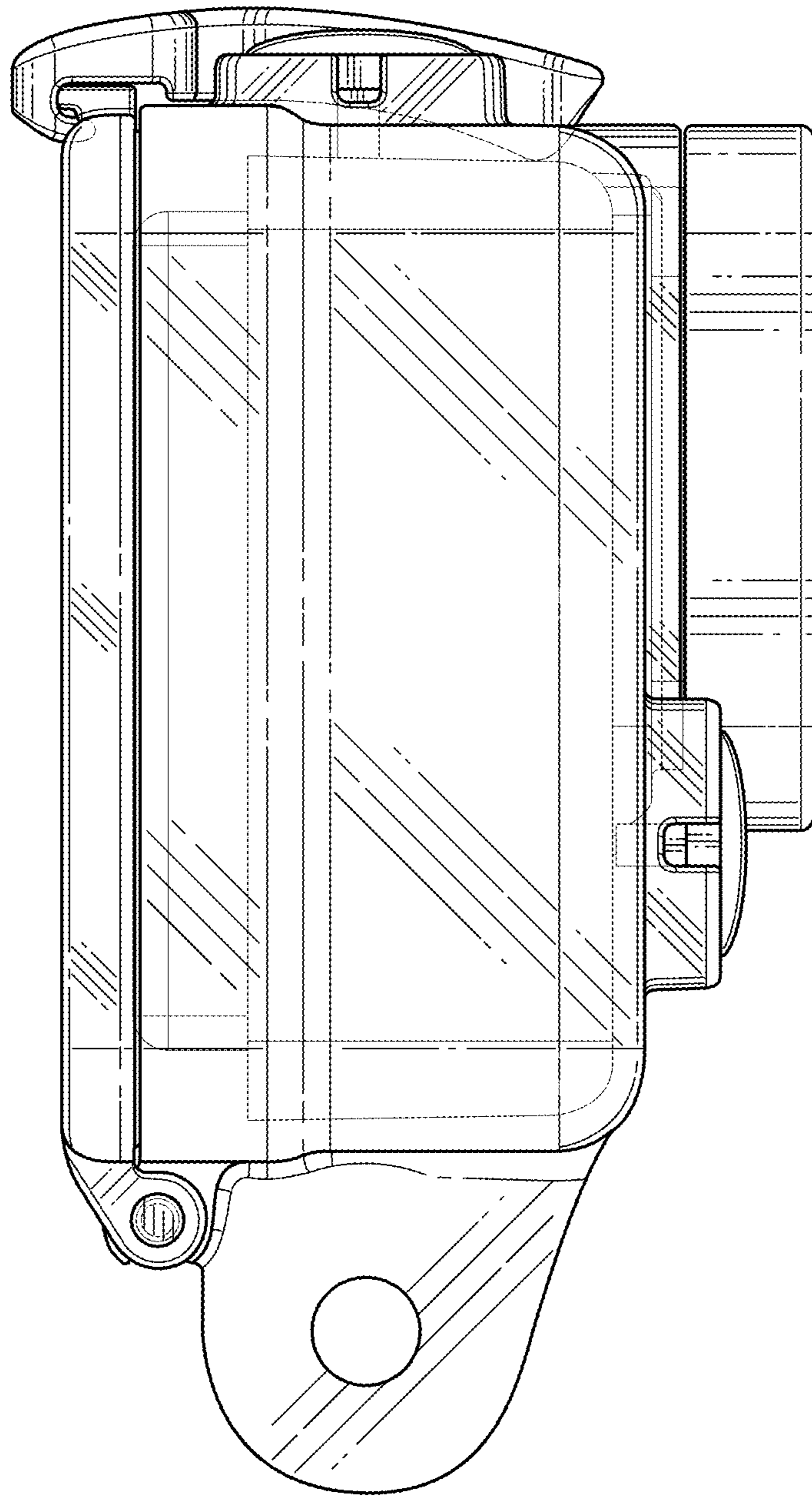


FIG. 7

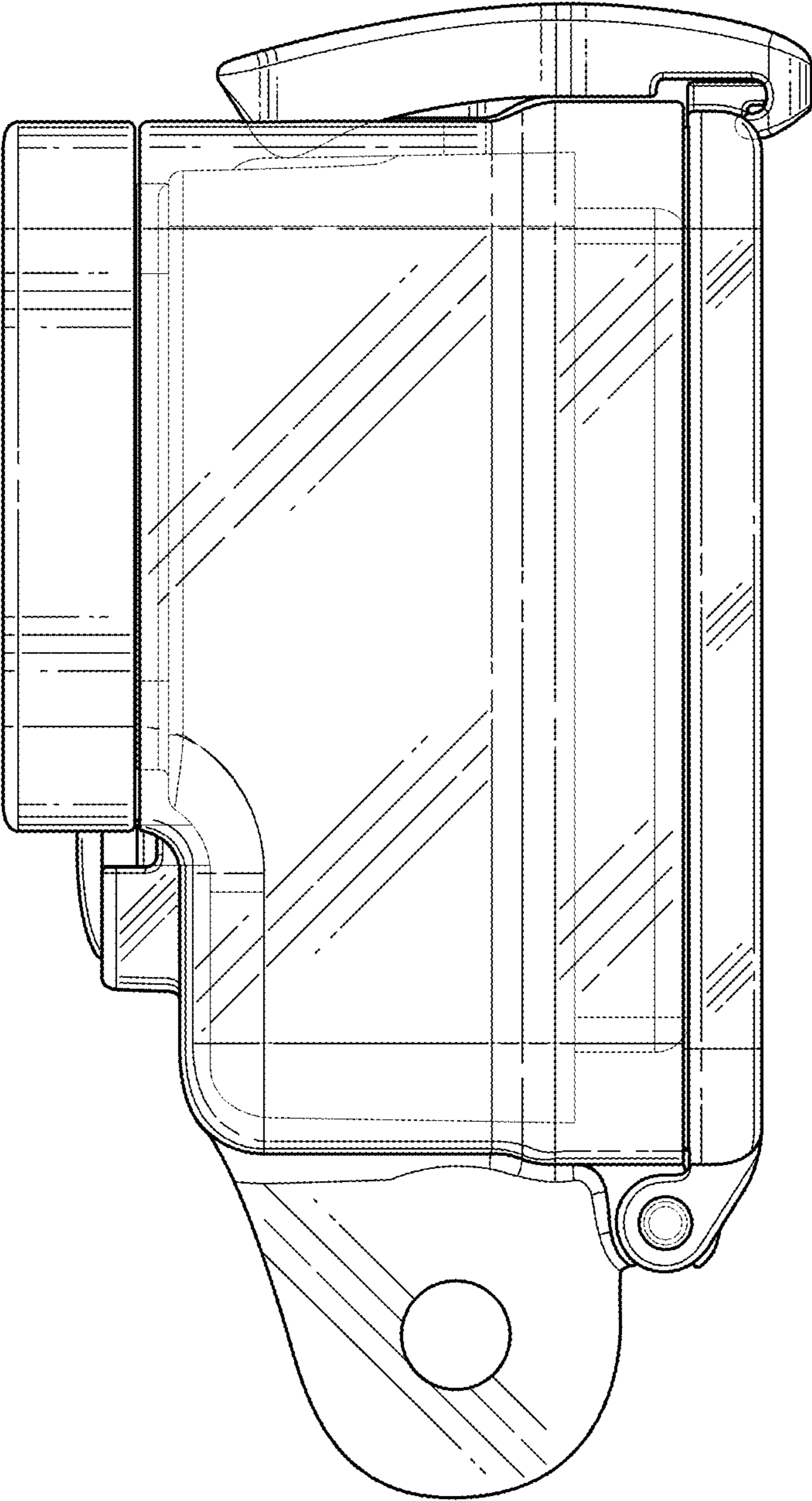


FIG. 8

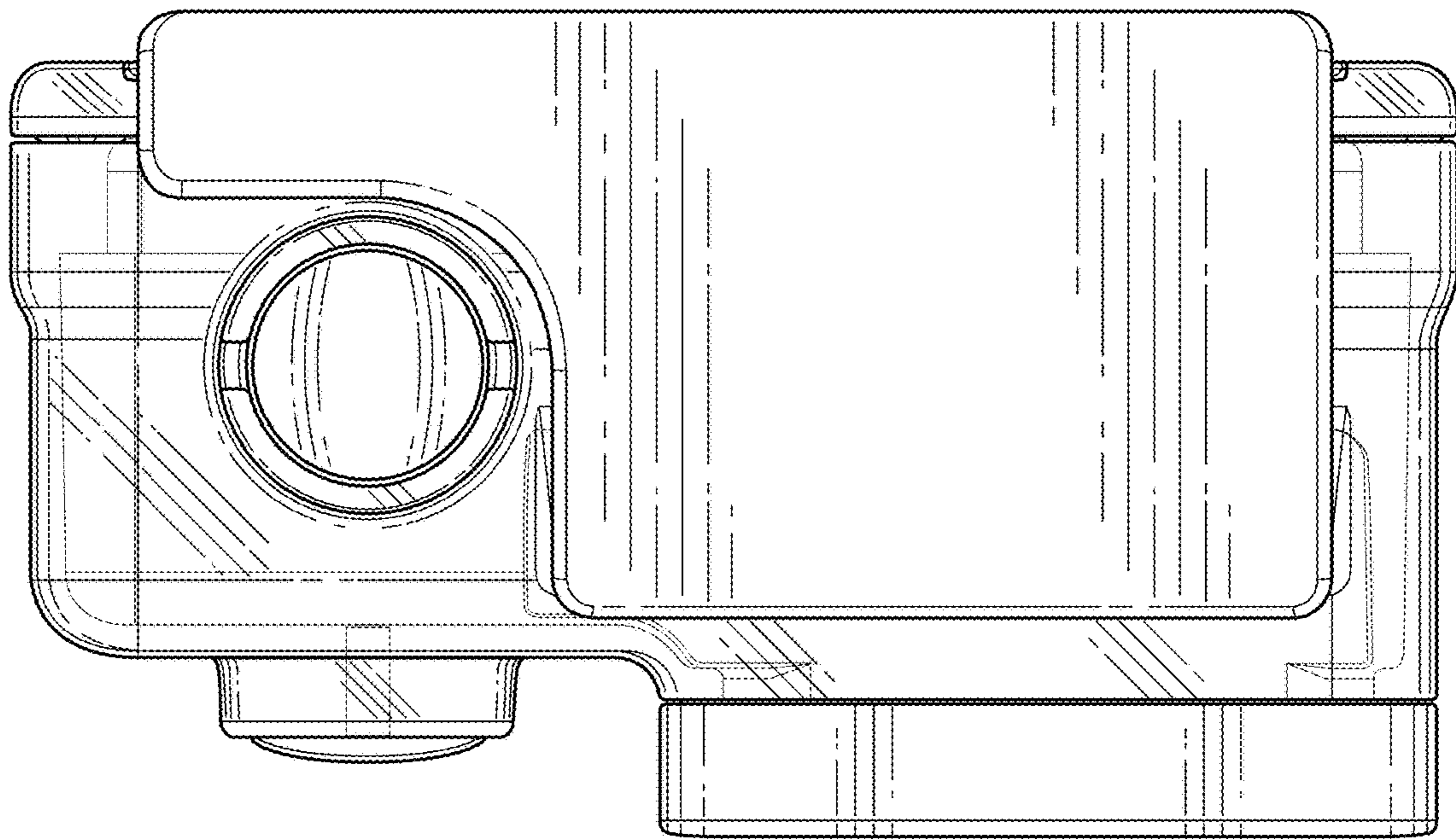


FIG. 9

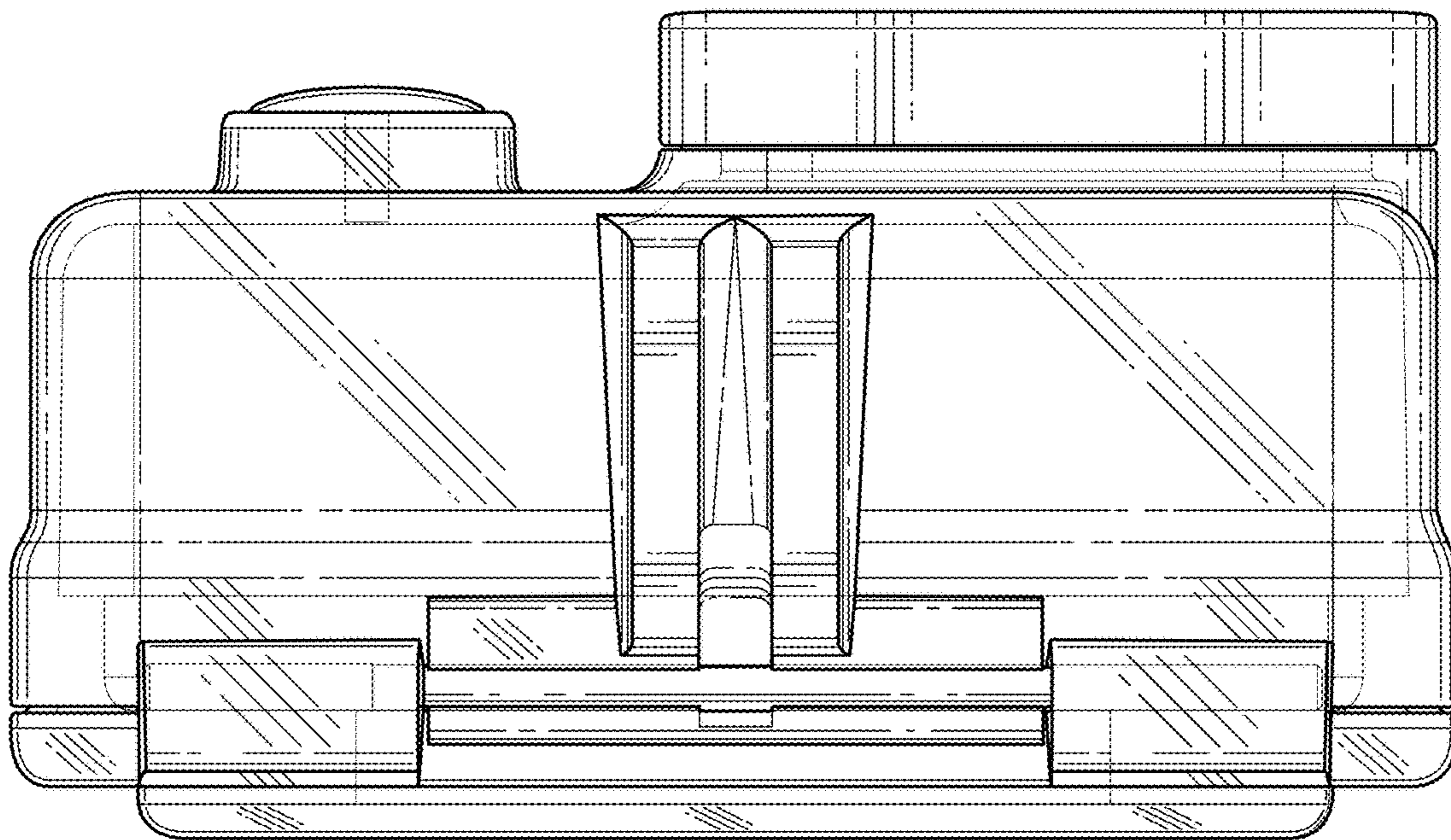


FIG. 10