



US00D804558S

(12) **United States Design Patent** (10) **Patent No.:** **US D804,558 S**  
**LeBeau** (45) **Date of Patent:** **\*\* Dec. 5, 2017**

(54) **CAMERA**  
(71) Applicant: **Seek Thermal, Inc.**, Goleta, CA (US)  
(72) Inventor: **Tim LeBeau**, Santa Barbara, CA (US)  
(73) Assignee: **Seek Thermal, Inc.**, Santa Barbara, CA (US)

D357,491 S 4/1995 Takahashi  
D362,007 S \* 9/1995 Takahashi ..... D16/134  
D375,969 S 11/1996 Watanabe  
D381,348 S 7/1997 Tanaka  
D397,706 S 9/1998 Shibata  
D426,248 S 6/2000 Sumita  
D428,428 S \* 7/2000 Ono ..... D16/134

(Continued)

(\*\*) Term: **14 Years**  
(21) Appl. No.: **29/500,105**  
(22) Filed: **Aug. 21, 2014**  
(51) **LOC (10) Cl.** ..... **16-01**  
(52) **U.S. Cl.**  
USPC ..... **D16/200**  
(58) **Field of Classification Search**  
USPC ..... D3/267, 268, 270, 271.1; D10/49, 52;  
D14/204, 206, 215, 217, 221, 222, 239,  
D14/240, 252, 253, 299; D16/132-136,  
D16/200, 202, 205, 206, 208, 209, 211,  
D16/218, 219, 220; D21/514; D26/85  
CPC ..... G03B 17/02; G03B 19/04; G03B 17/56;  
G03B 17/04; G03B 15/03; G03B 17/14;  
H04N 5/2251; H04N 5/2252; H04N  
5/2253; H04N 5/2254; G02B 7/02; G02B  
7/04; G02B 7/14  
See application file for complete search history.

**OTHER PUBLICATIONS**

DSLR Camera Lens Optical Green Glass With Reflection Illustration Royalty Free Cliparts, Vectors, and Stock Illustration, printed from [http://www.123rf.com/photo\\_22444957\\_dslr-camera-lens-optical-green-glass-with-reflection-illustration.html](http://www.123rf.com/photo_22444957_dslr-camera-lens-optical-green-glass-with-reflection-illustration.html) on Aug. 7, 2014.

(Continued)

*Primary Examiner* — Susan E Krakower  
*Assistant Examiner* — L. A. Grabenstetter  
(74) *Attorney, Agent, or Firm* — Knobbe Martens Olson & Bear LLP

(57) **CLAIM**

I claim the ornamental design for a camera, as shown and described.

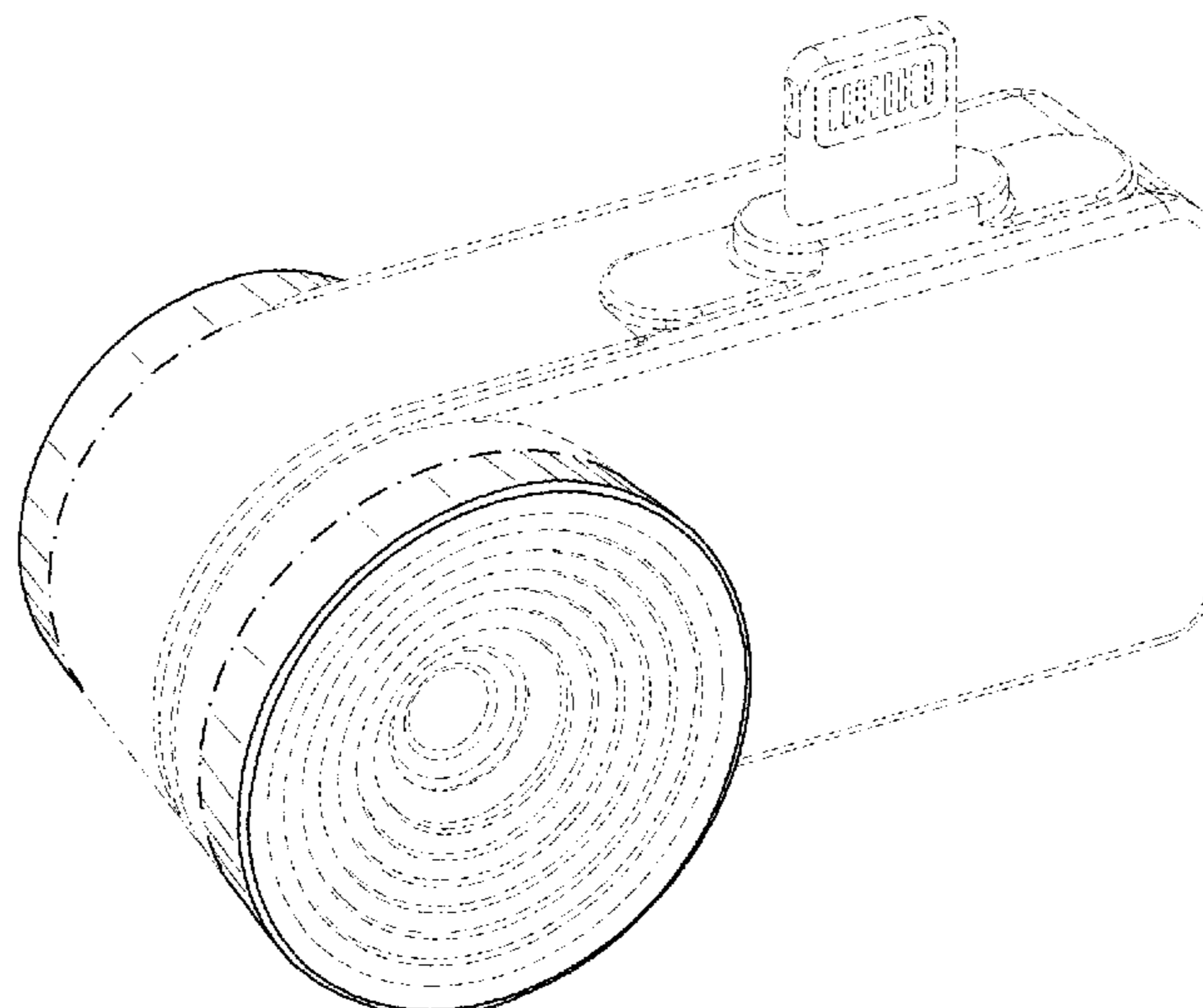
**DESCRIPTION**

FIG. 1 is a perspective view of a camera showing the new design;  
FIG. 2 is a front view thereof;  
FIG. 3 is a back view thereof;  
FIG. 4 is a left side view thereof;  
FIG. 5 is a right side view thereof;  
FIG. 6 is a top view thereof; and,  
FIG. 7 is a bottom view thereof.  
The dash-dash broken lines depict unclaimed portions of the camera which form no part of the claimed design.  
The dot-dash broken lines represent boundaries of the camera and form no part of the claimed design.

(56) **References Cited**  
U.S. PATENT DOCUMENTS

D82,353 S \* 10/1930 Trautmann ..... D16/133  
D97,452 S 11/1935 Ball  
D175,503 S \* 9/1955 Gottschalk et al. .... D16/134  
D223,215 S \* 3/1972 Takata ..... D16/134  
D248,766 S \* 8/1978 Arai ..... D16/134  
D252,833 S \* 9/1979 Bowser ..... D26/85  
D283,924 S \* 5/1986 Yau ..... D26/49  
D308,881 S 6/1990 Steed  
D338,028 S \* 8/1993 Takahashi ..... D16/134  
D343,631 S 1/1994 Takahashi

**1 Claim, 4 Drawing Sheets**



(56)

References Cited

U.S. PATENT DOCUMENTS

D430,888 S 9/2000 Adachi  
 D471,220 S 3/2003 Hamamura  
 D483,385 S \* 12/2003 Kapenekas ..... D16/135  
 D488,178 S 4/2004 Huang  
 D496,059 S \* 9/2004 Cameron ..... D16/135  
 D506,565 S \* 6/2005 Yurich ..... D26/85  
 D510,945 S \* 10/2005 Do ..... D16/134  
 D521,982 S \* 5/2006 Schafernak ..... D14/216  
 D523,057 S \* 6/2006 Watanabe ..... D16/134  
 D526,312 S 8/2006 Kuribayashi  
 D528,576 S 9/2006 Chung  
 D539,320 S 3/2007 Tokiwa  
 D540,363 S 4/2007 Tokiwa  
 D544,008 S \* 6/2007 Stewart ..... D16/135  
 D549,260 S 8/2007 Kojima  
 D554,683 S 11/2007 Jones  
 D557,309 S 12/2007 Shimizu  
 D561,803 S 2/2008 Morita  
 D562,862 S \* 2/2008 Yasutomi ..... D16/134  
 D565,070 S 3/2008 Kim et al.  
 D565,621 S 4/2008 Yamane  
 D566,148 S 4/2008 Akita  
 D566,158 S 4/2008 Yasutomi  
 D570,389 S 6/2008 Nakamura  
 D571,387 S 6/2008 Morita  
 D573,625 S 7/2008 Watanabe  
 D575,319 S 8/2008 Tajima  
 D591,728 S 5/2009 Pantaleone  
 D591,730 S 5/2009 Pantaleone  
 7,643,085 B2 1/2010 Saiki et al.  
 D612,201 S 3/2010 Hillebrenner  
 D612,364 S 3/2010 Kwolek  
 D617,315 S 6/2010 Pantaleone  
 D617,360 S 6/2010 Endo  
 D618,226 S \* 6/2010 Tong ..... D13/133  
 D640,300 S 6/2011 Sato et al.  
 D640,720 S 6/2011 Yoshii et al.  
 D641,032 S 7/2011 Yoshii et al.  
 D650,821 S \* 12/2011 Verhey ..... D16/134  
 D651,632 S 1/2012 Kim et al.  
 D656,530 S 3/2012 Kwon et al.  
 D663,743 S 7/2012 Tanghe

D664,581 S \* 7/2012 Palm ..... D16/219  
 D665,837 S \* 8/2012 Tainaka ..... D16/134  
 D666,940 S 9/2012 Dunn  
 D677,302 S 3/2013 Fujita  
 D677,303 S 3/2013 Nojima  
 D678,379 S \* 3/2013 O'Neill ..... D14/511  
 D682,333 S 5/2013 Kim et al.  
 D684,620 S 6/2013 Kim et al.  
 D686,265 S 8/2013 O'Neill  
 D693,870 S 11/2013 Kim  
 D694,801 S 12/2013 Sakai  
 D695,328 S 12/2013 Sul et al.  
 D695,805 S 12/2013 Sakai  
 D696,329 S 12/2013 Horiki  
 D696,709 S 12/2013 Sato  
 D702,749 S 4/2014 Kim  
 D711,450 S 8/2014 Yamauchi et al.  
 D712,949 S 9/2014 Suwon-si et al.  
 D728,652 S 5/2015 Hayashi et al.  
 D741,930 S 10/2015 Kwon et al.  
 D757,837 S 5/2016 Henry  
 2002/0105730 A1 \* 8/2002 Clark ..... G02B 23/14  
 359/675  
 2007/0177865 A1 \* 8/2007 Nomura ..... G03B 17/04  
 396/349  
 2007/0296819 A1 \* 12/2007 Takizawa ..... G03B 17/02  
 348/175  
 2008/0002968 A1 \* 1/2008 Arai ..... G03B 17/14  
 396/448  
 2012/0044621 A1 2/2012 Fujiwara  
 2012/0189296 A1 7/2012 Kim et al.  
 2013/0039069 A1 \* 2/2013 Zeng ..... F21L 4/005  
 362/278  
 2016/0065802 A1 \* 3/2016 Finegold ..... H04N 5/33  
 348/374

OTHER PUBLICATIONS

DSLR Camera Lens Optical Green Glass With Reflection Illustration Royalty Free Cliparts, Vectors, and Stock Illustration, printed from: [http://www.123rf.com/photo\\_22444957\\_dslr-camera-lens-optical-green-glass-with-reflection-illustration.html](http://www.123rf.com/photo_22444957_dslr-camera-lens-optical-green-glass-with-reflection-illustration.html) on Aug. 7, 2014, in 3 pages.

\* cited by examiner

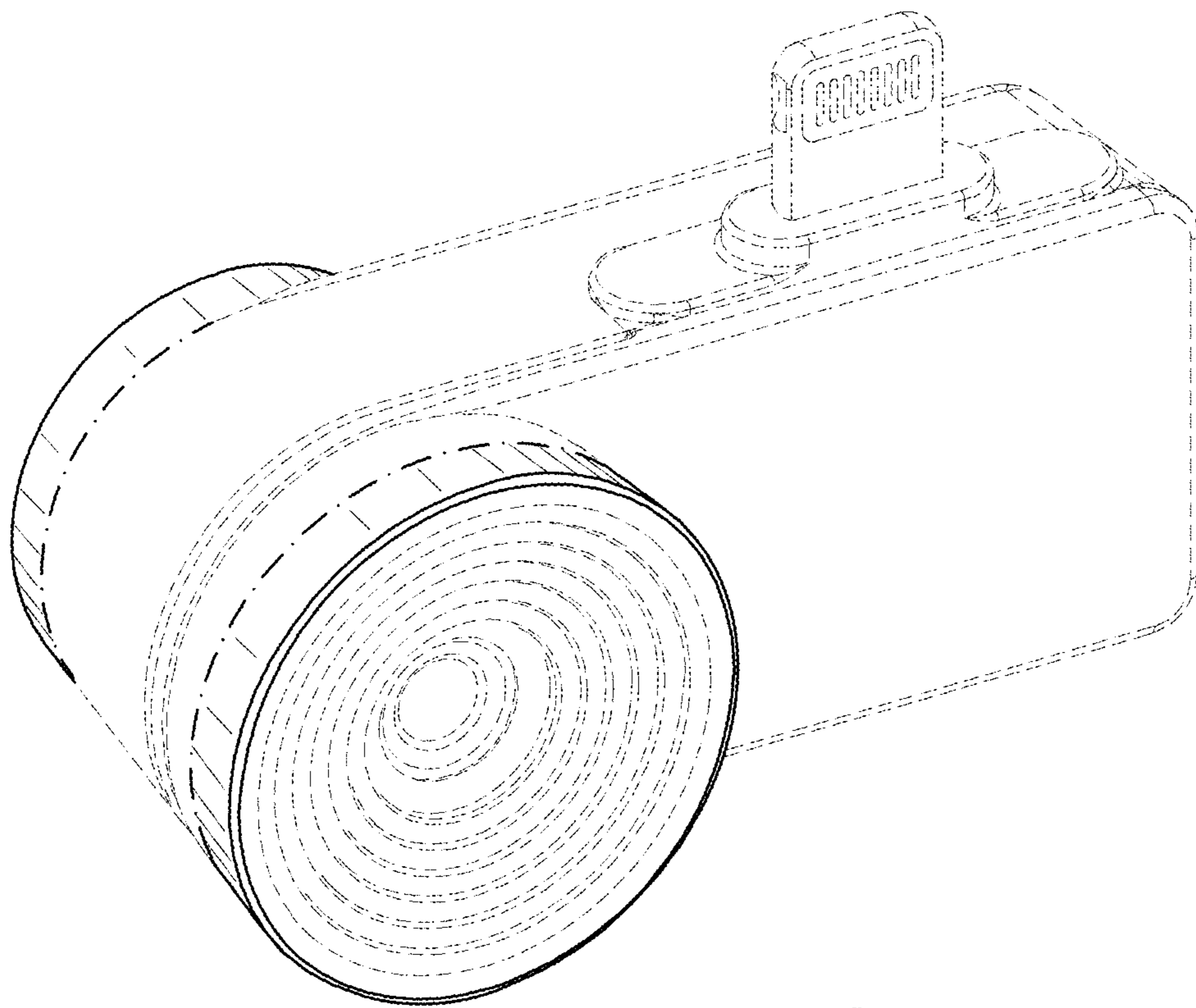


FIG. 1



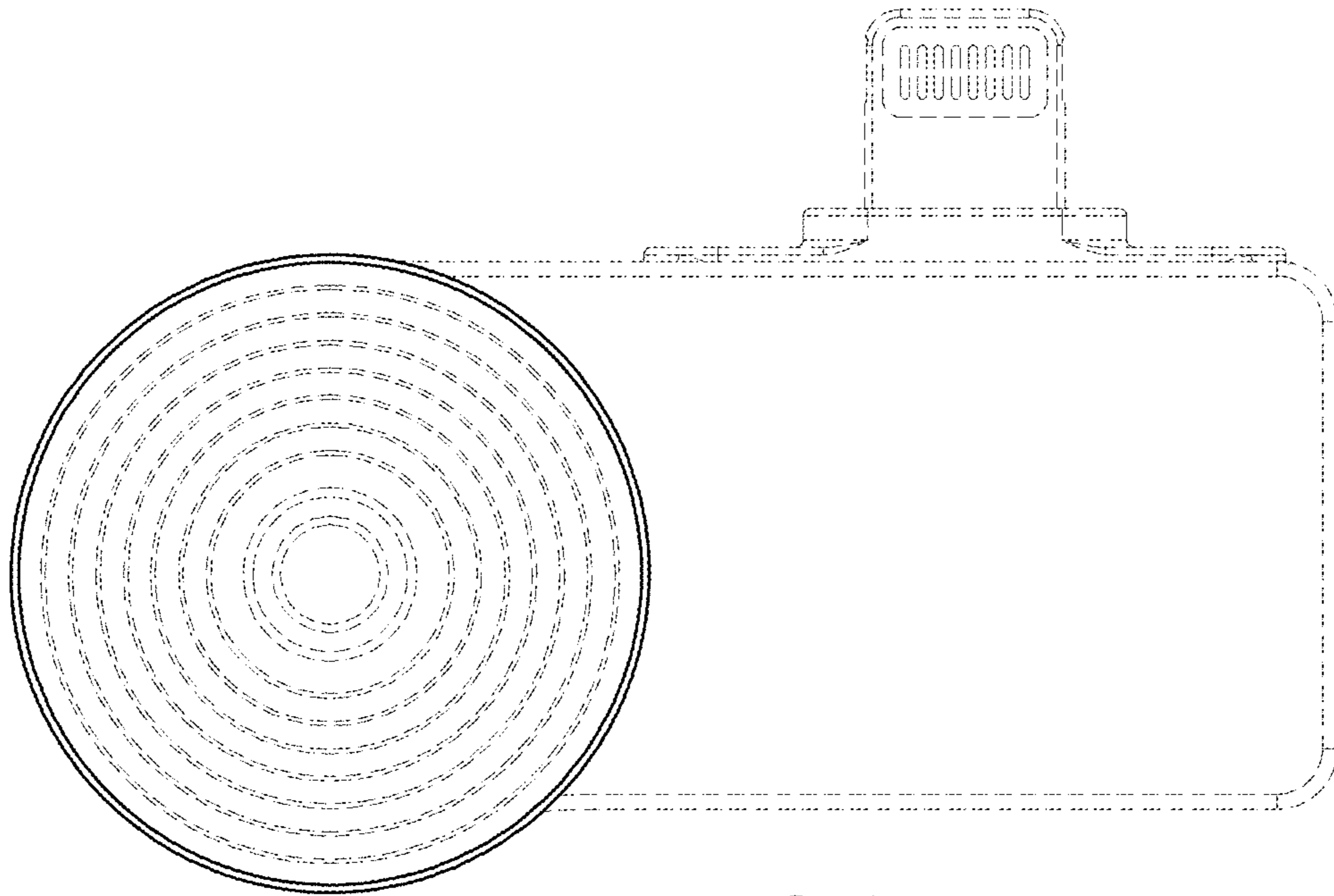


FIG. 2

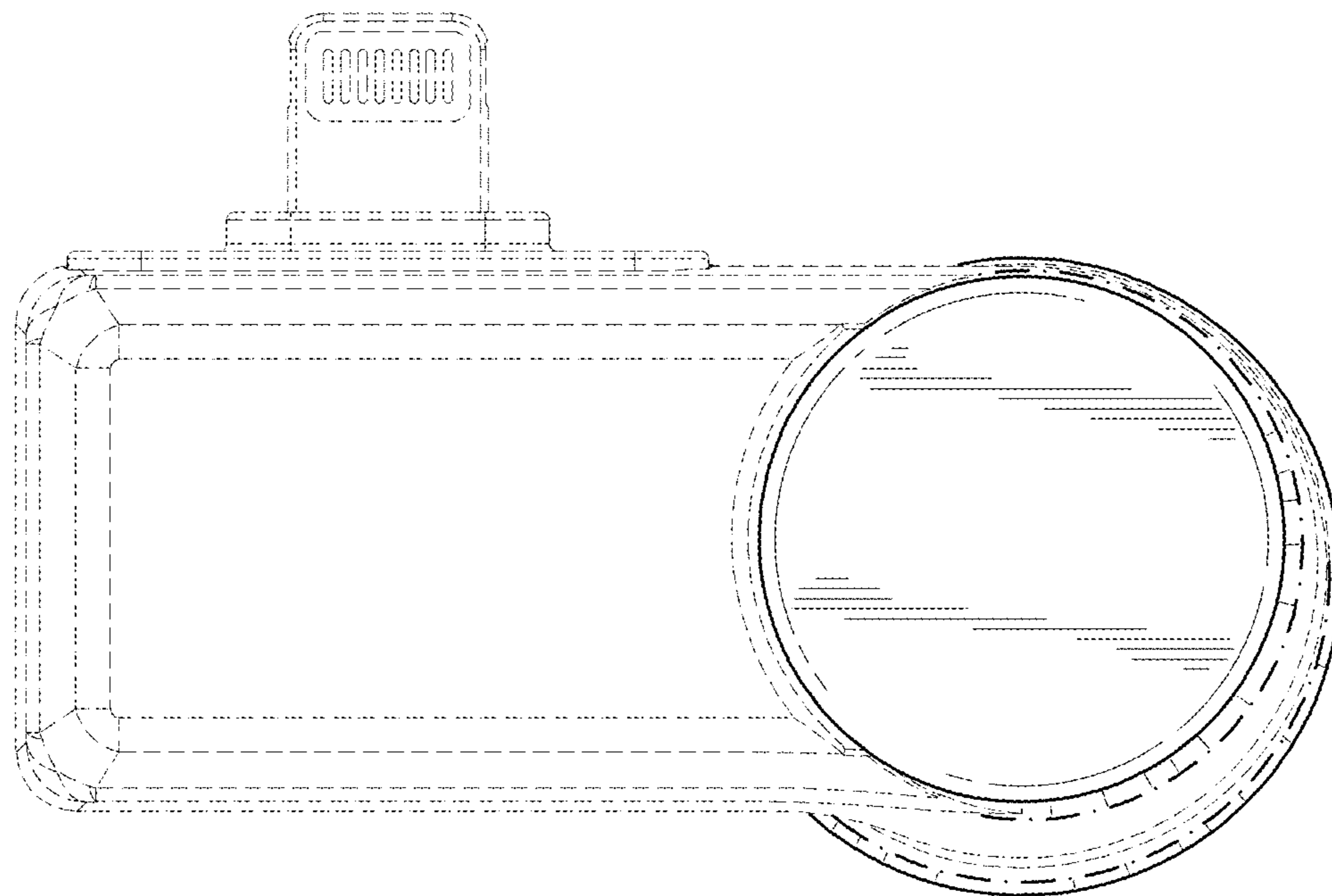


FIG. 3

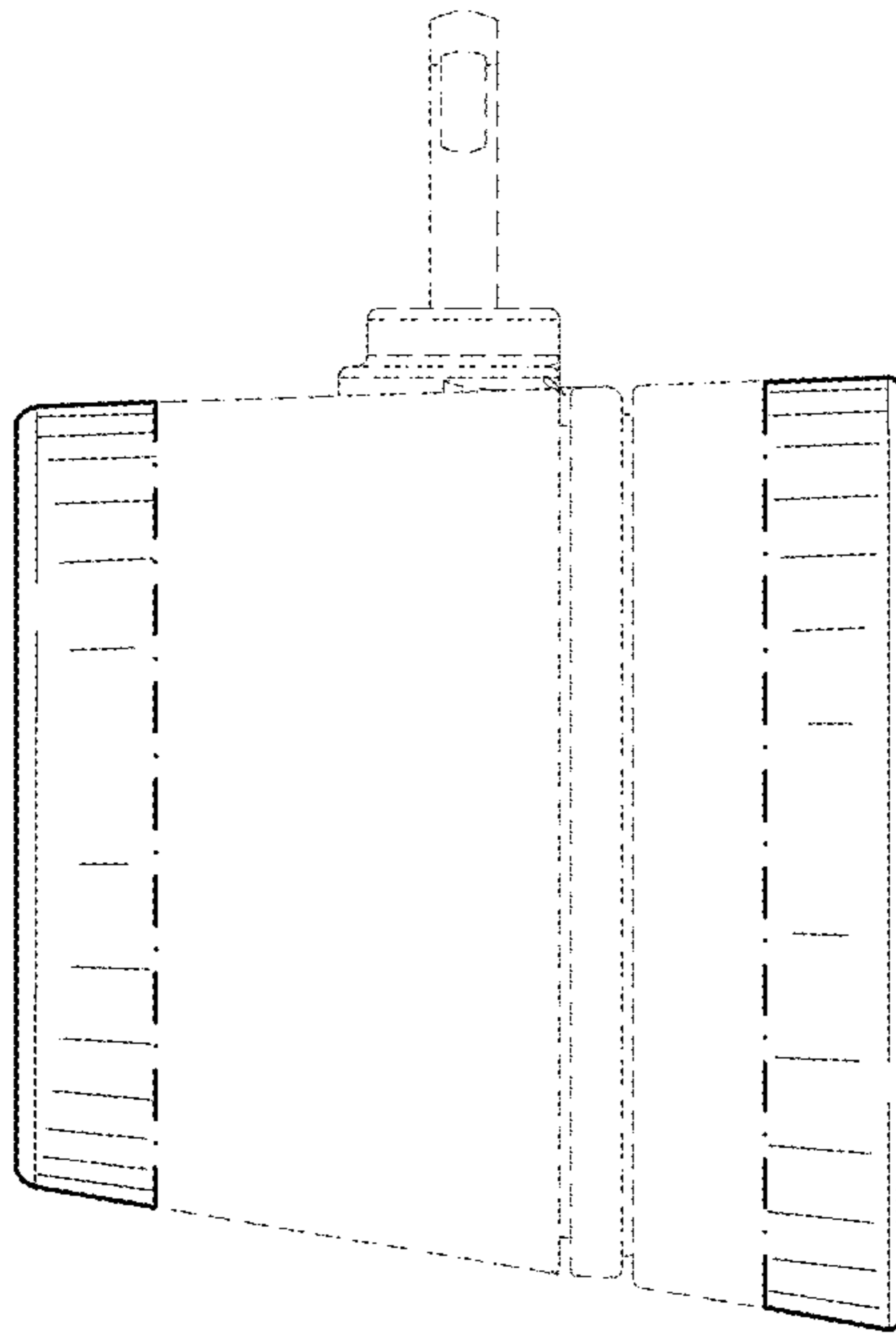


FIG. 4

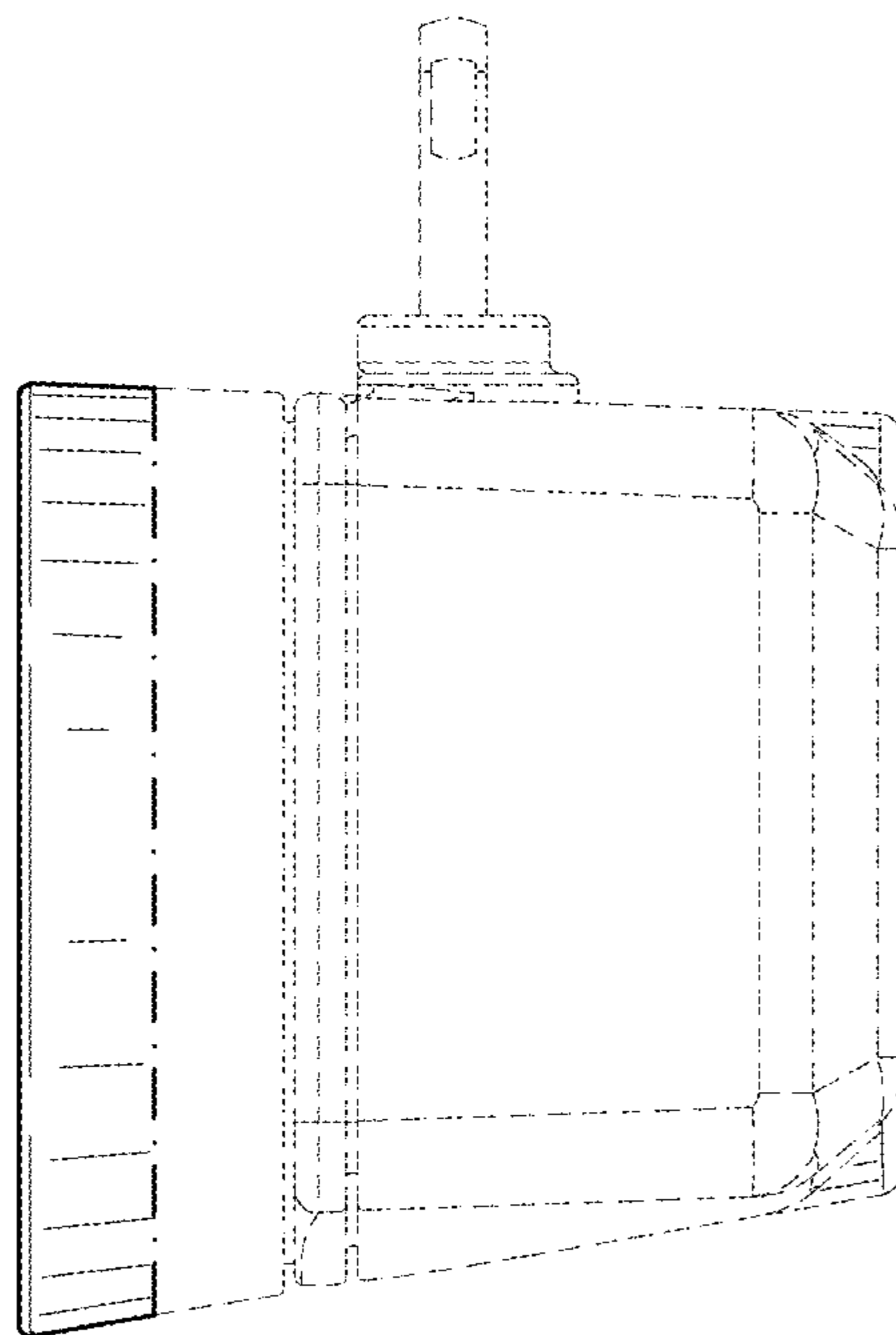


FIG. 5

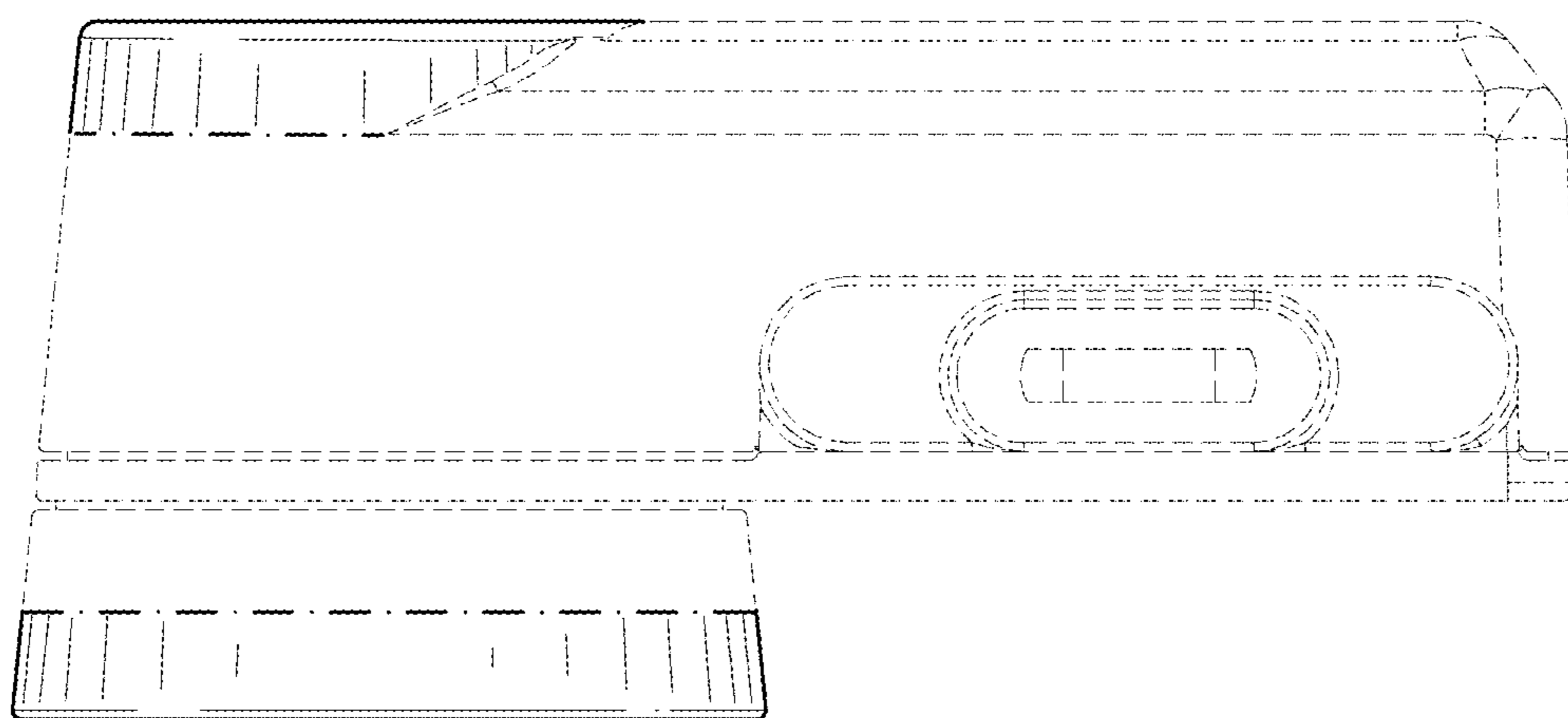


FIG. 6

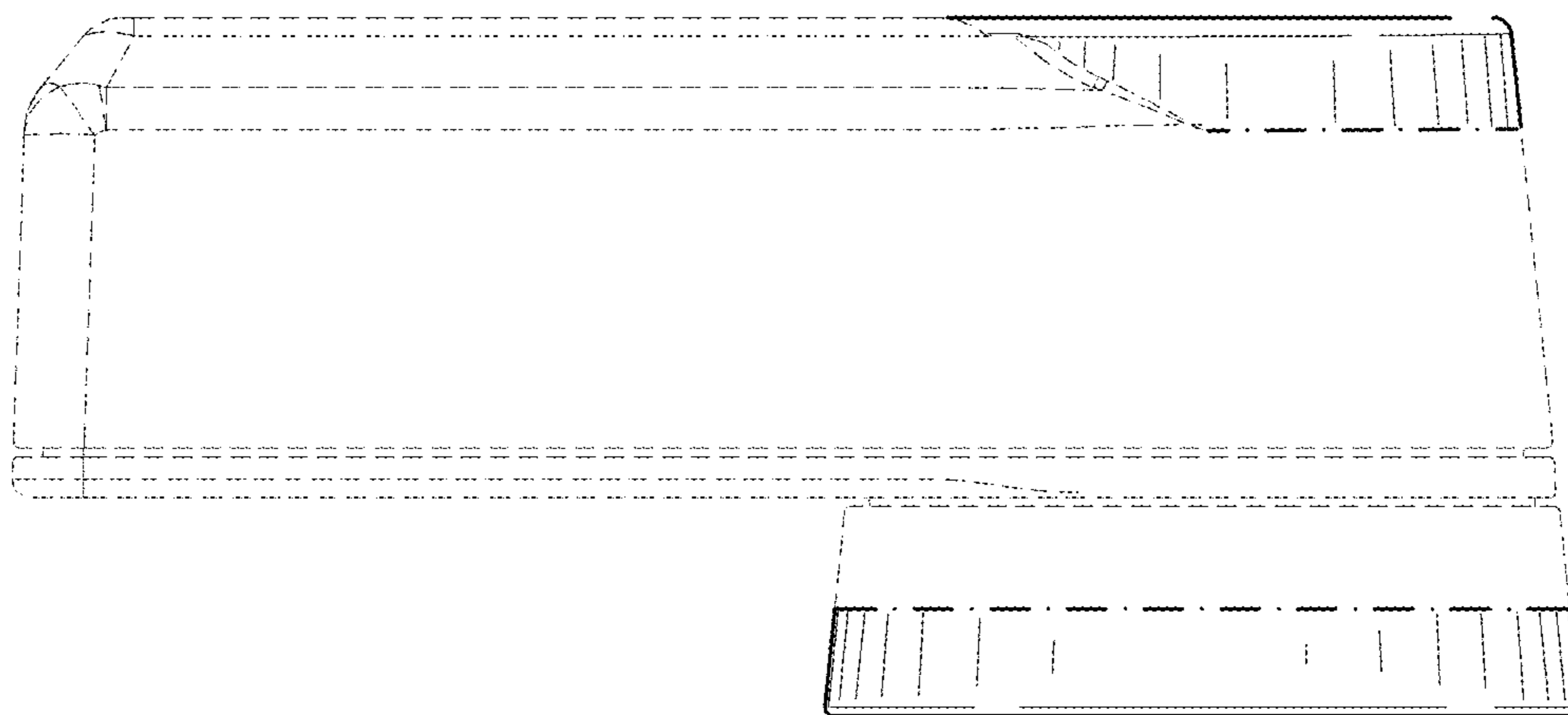


FIG. 7