



US00D804557S

(12) **United States Design Patent** (10) **Patent No.:** **US D804,557 S**  
**Kameda et al.** (45) **Date of Patent:** **\*\* Dec. 5, 2017**

(54) **LENS** 8,821,042 B2 \* 9/2014 Sato ..... G02B 6/4244  
385/147  
(71) Applicant: **ALPS ELECTRIC CO., LTD.**, Tokyo D727,189 S \* 4/2015 Goh ..... D10/103  
(JP) 2001/0030984 A1 \* 10/2001 Ono ..... G02B 6/4204  
372/50.23

(72) Inventors: **Hiroshi Kameda**, Tokyo (JP); **Kunihito Tateishi**, Tokyo (JP); **Tsuyoshi Matsumoto**, Tokyo (JP)

(73) Assignee: **ALPS ELECTRIC CO., LTD.**, Tokyo (JP)

(\*\*) Term: **15 Years**

(21) Appl. No.: **29/554,216**

(22) Filed: **Feb. 9, 2016**

(30) **Foreign Application Priority Data**

Oct. 30, 2015 (JP) ..... D2015-024234  
(51) **LOC (10) Cl.** ..... **16-06**  
(52) **U.S. Cl.**  
USPC ..... **D16/134**  
(58) **Field of Classification Search**  
USPC ..... D16/101, 131, 134, 135, 136, 235;  
D26/38  
CPC ..... G02B 2003/0093; G02B 3/04; C03B  
2215/46  
See application file for complete search history.

(56) **References Cited**

**U.S. PATENT DOCUMENTS**

D358,479 S \* 5/1995 Abrams ..... D3/264  
D520,867 S \* 5/2006 Chang ..... D9/415  
7,424,184 B2 \* 9/2008 Hatakeyama ..... G03B 13/20  
385/33  
D611,080 S \* 3/2010 Chen ..... D16/101  
D630,666 S \* 1/2011 Matsumoto ..... D16/134  
D643,150 S \* 8/2011 Chen ..... D26/124

(Continued)  
**FOREIGN PATENT DOCUMENTS**  
JP 2011022167 A \* 2/2011  
JP 2015098423 A \* 5/2015  
(Continued)

**OTHER PUBLICATIONS**  
Alps, "Square Aspherical Glass Lens (Micro Glass Lens for Flat Bench)," Part No. FLGP6SE11A, printed from the internet at <[http://www.alps.com/prod/info/E/HTML/GlassLens/SquareLens/FLG/FLGP6SE11A . . .](http://www.alps.com/prod/info/E/HTML/GlassLens/SquareLens/FLG/FLGP6SE11A...)>, on Dec. 24, 2015, 2 pages.  
(Continued)

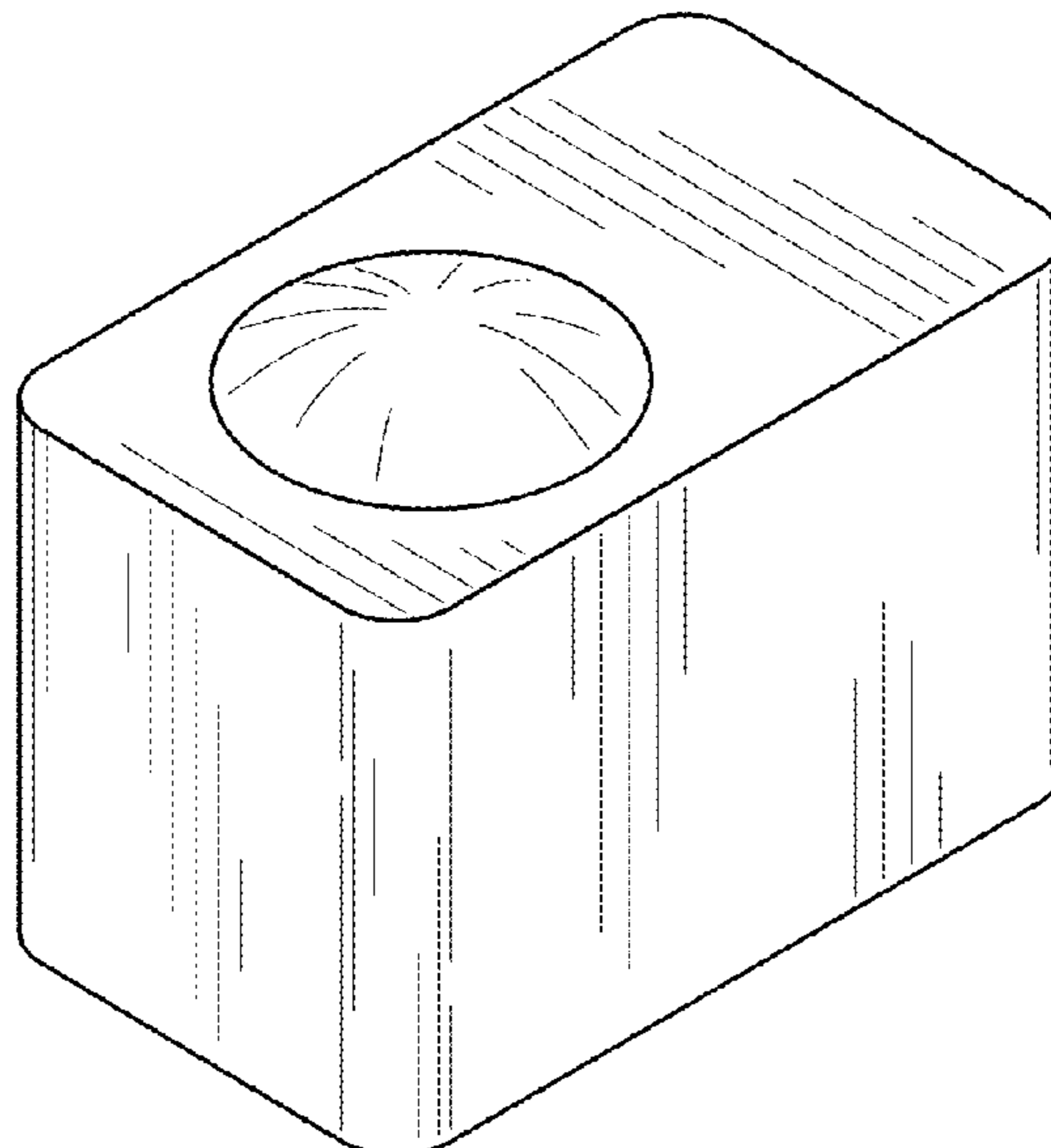
*Primary Examiner* — Sheryl Lane  
*Assistant Examiner* — Calvin E Vansant  
(74) *Attorney, Agent, or Firm* — Brinks Gilson & Lione

(57) **CLAIM**  
The ornamental design for a lens, as shown and described.

**DESCRIPTION**

FIG. 1 is a front view of a lens;  
FIG. 2 is a rear view thereof;  
FIG. 3 is a top view thereof;  
FIG. 4 is a bottom view thereof;  
FIG. 5 is a right side view thereof; the left side being a mirror image thereof;  
FIG. 6 is a sectional view taken along line 6-6 in FIG. 2;  
FIG. 7 is a perspective view as seen from the lower front side; and,  
FIG. 8 is a perspective view as seen from the upper right side.

**1 Claim, 4 Drawing Sheets**



(56)

**References Cited**

U.S. PATENT DOCUMENTS

2005/0162758 A1 \* 7/2005 Tanaka ..... C03B 11/08  
359/811  
2010/0014170 A1 \* 1/2010 Shyu ..... G02B 13/0015  
359/718  
2010/0033849 A1 \* 2/2010 Seki ..... C03B 11/08  
359/811

FOREIGN PATENT DOCUMENTS

WO WO 2009063779 A1 \* 5/2009 ..... G02B 3/00  
WO WO 2010032601 A1 \* 3/2010 ..... G02B 7/022

OTHER PUBLICATIONS

Alps, "Square Aspherical Glass Lens (Micro Glass Lens for Flat Bench)," Part No. FLGS4SE11A, printed from the internet at <[http://www.alps.com/prod/info/E/HTML/GlassLens/SquareLens/FLG/FLGS4SE11A . . .](http://www.alps.com/prod/info/E/HTML/GlassLens/SquareLens/FLG/FLGS4SE11A...)>, on Dec. 24, 2015, 2 pages.

\* cited by examiner

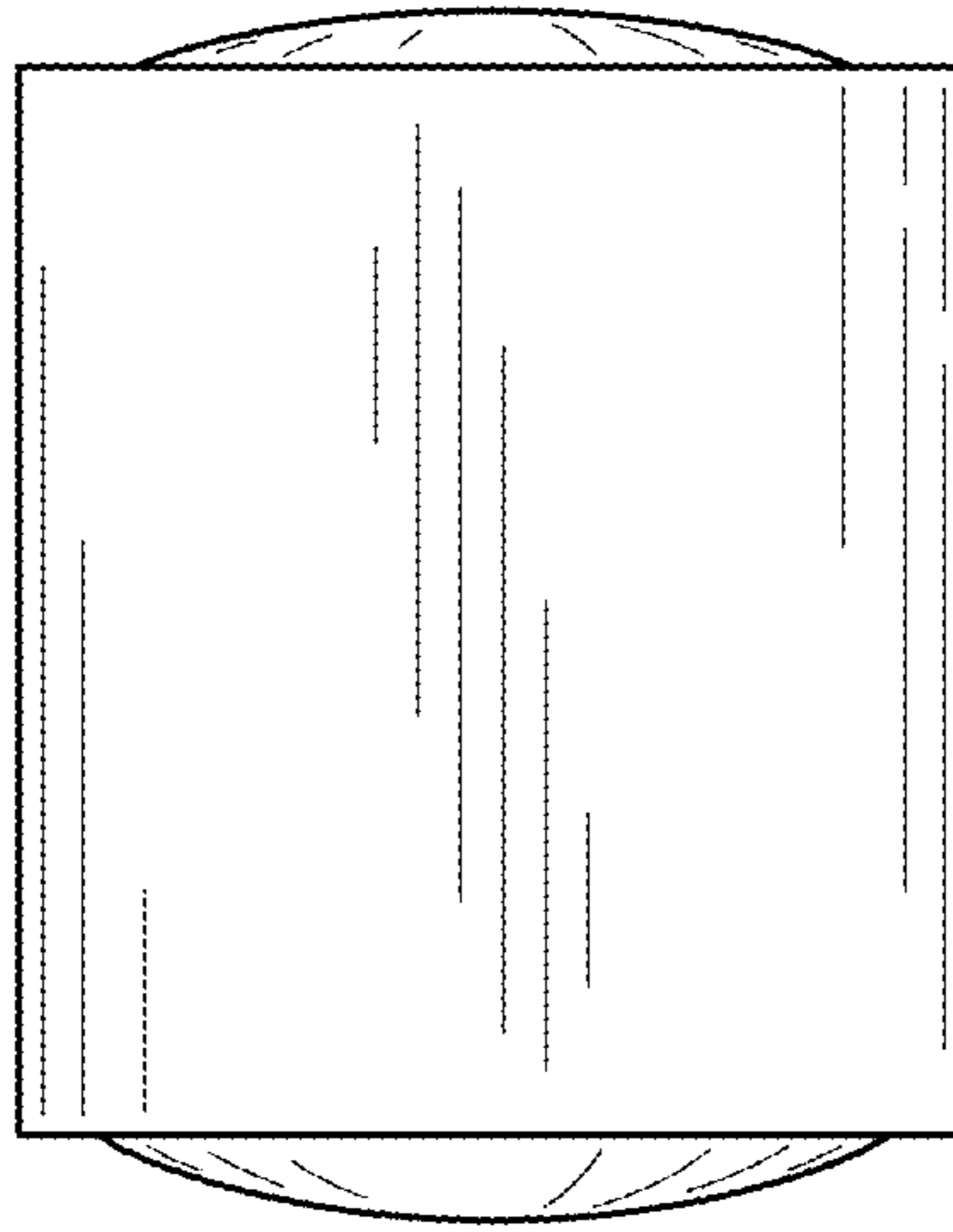


FIG. 1

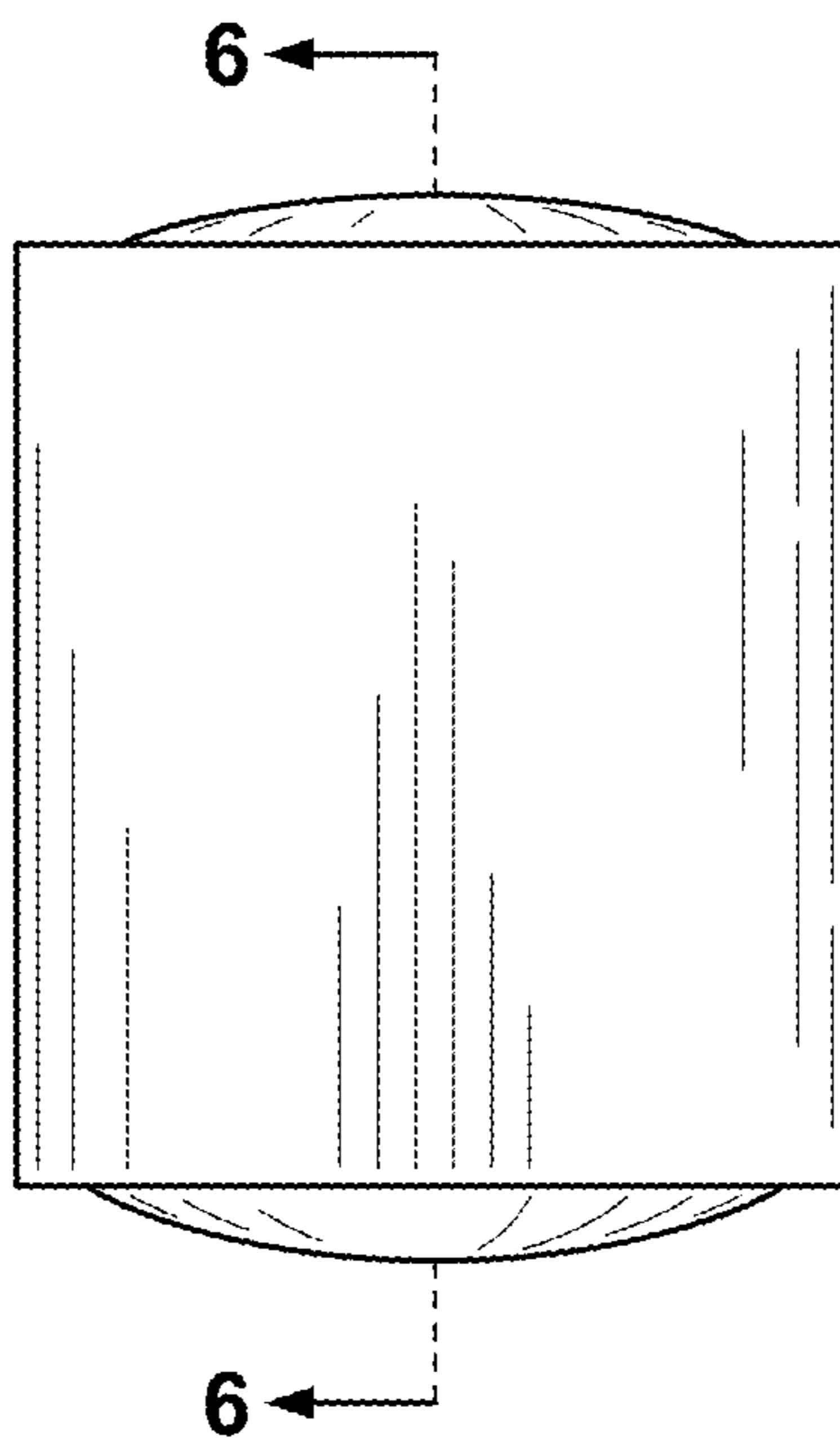
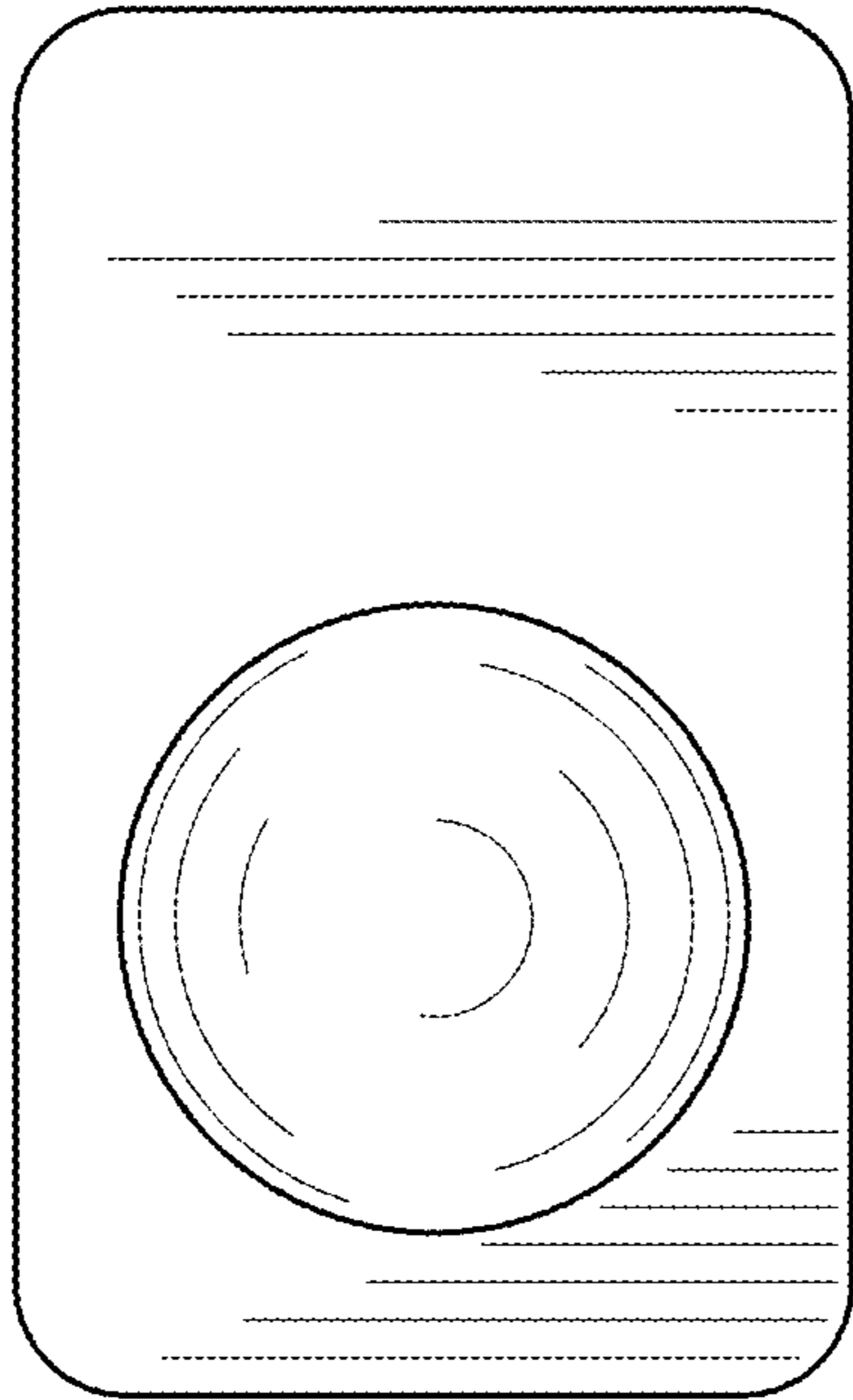
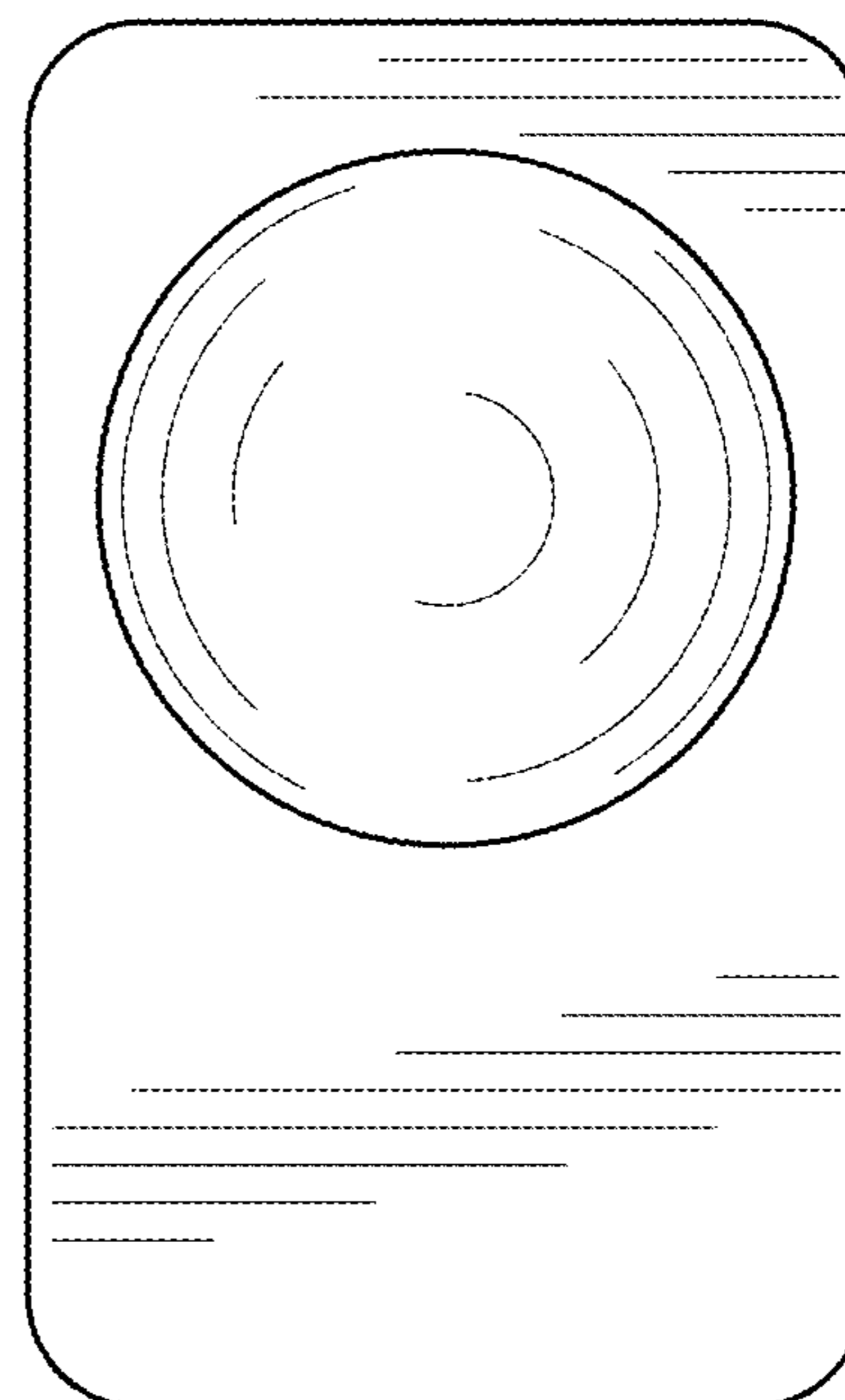


FIG. 2



**FIG. 3**



**FIG. 4**

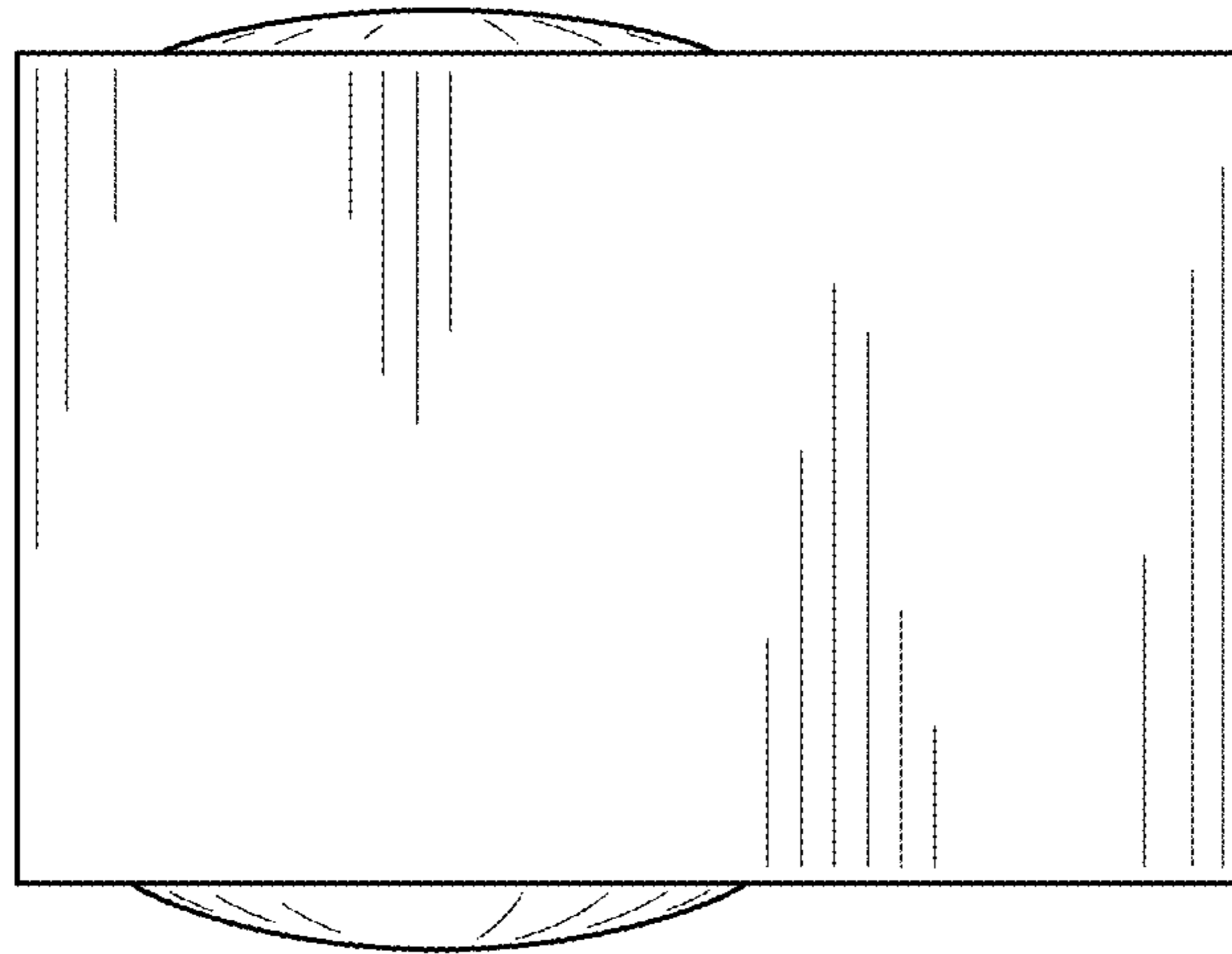


FIG. 5

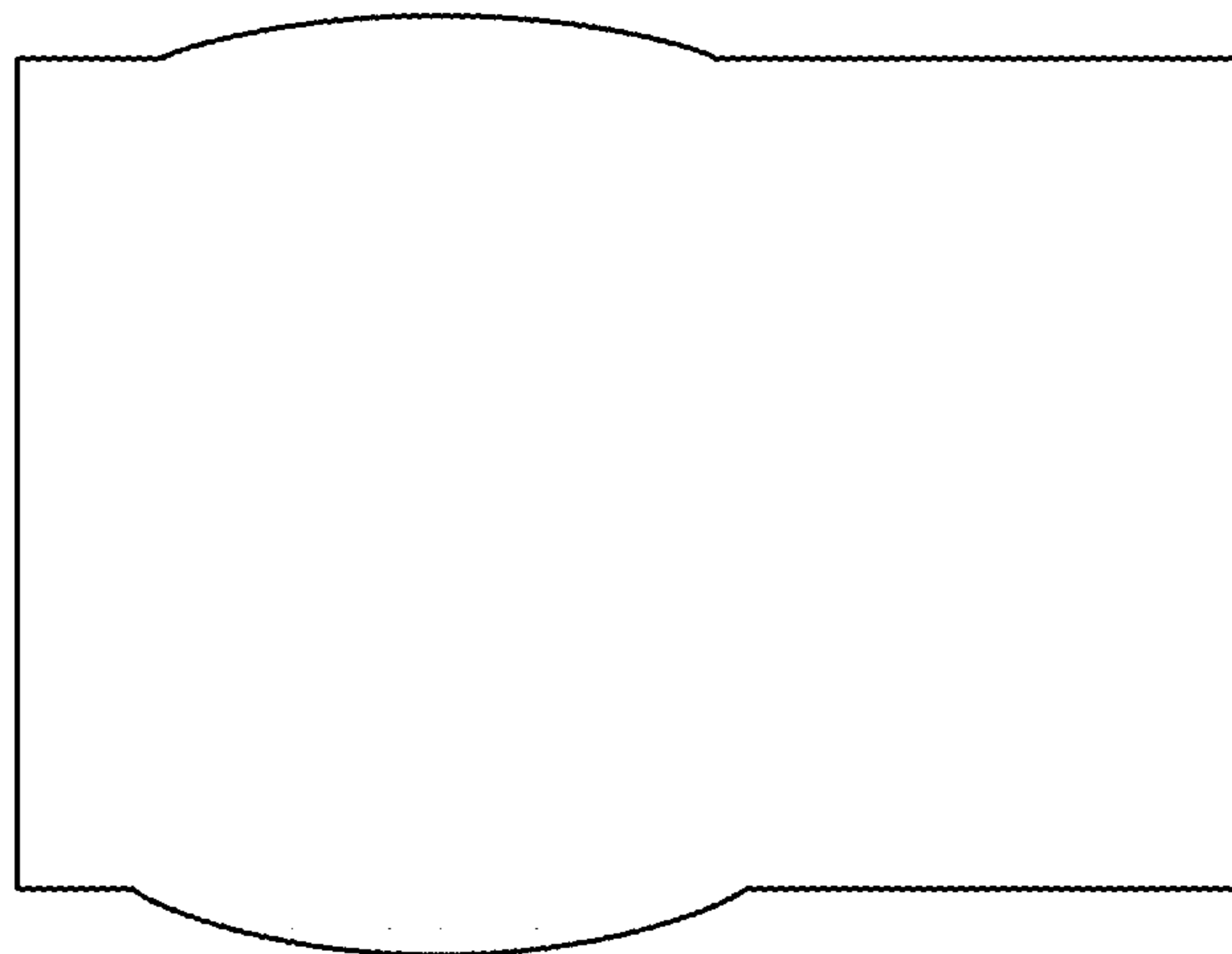


FIG. 6

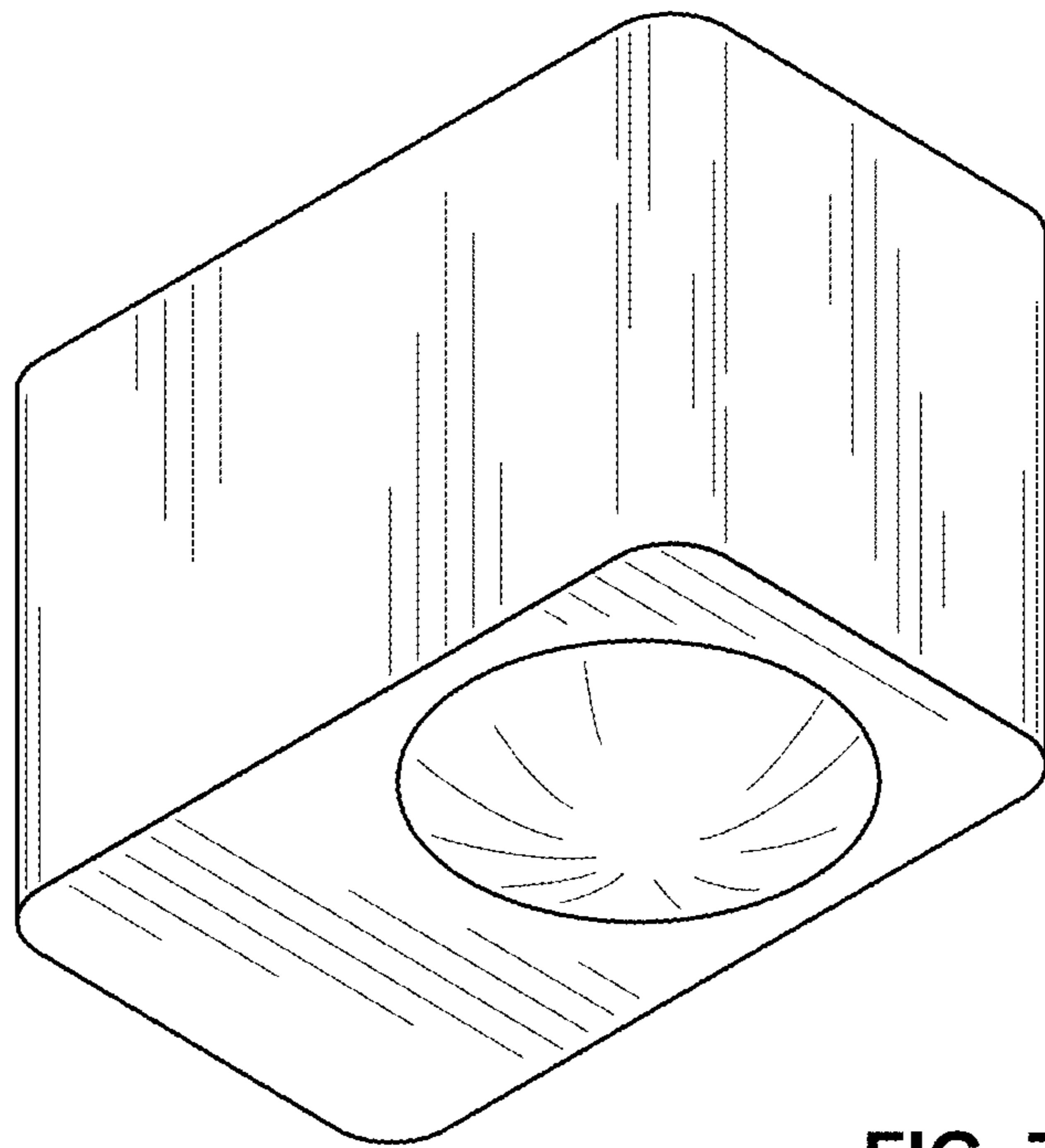


FIG. 7

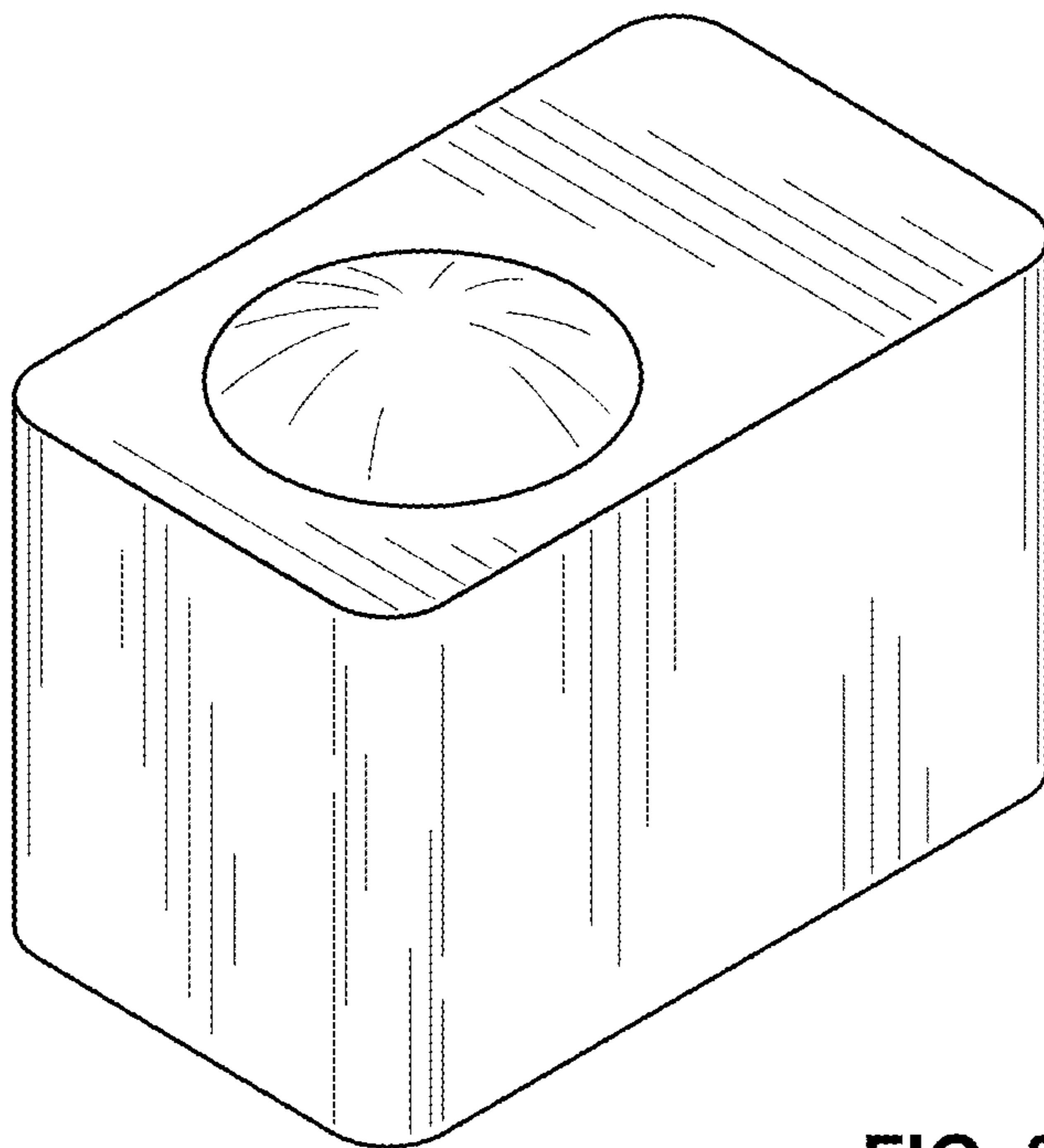


FIG. 8