

US00D804555S

(12) **United States Design Patent** (10) **Patent No.:** **US D804,555 S**
Townsend (45) **Date of Patent:** **** Dec. 5, 2017**

(54) **WELDING ELECTRODE HOLDER**
(71) Applicant: **Carl Townsend**, Wilmington, MA (US)
(72) Inventor: **Carl Townsend**, Wilmington, MA (US)
(**) Term: **15 Years**
(21) Appl. No.: **29/586,132**
(22) Filed: **Dec. 1, 2016**

Related U.S. Application Data

(63) Continuation of application No. 14/867,195, filed on Sep. 28, 2015.
(51) **LOC (10) Cl.** **15-09**
(52) **U.S. Cl.**
USPC **D15/144**
(58) **Field of Classification Search**
USPC 8/29.1, 30; 15/144, 144.1, 144.2
CPC B23K 9/32; B23K 9/028; B23K 9/1006;
B23K 9/1735; B23K 11/28; B23K 37/053
See application file for complete search history.

References Cited

U.S. PATENT DOCUMENTS

1,217,468 A 2/1917 Lincoln
2,538,245 A 1/1951 Hiller
2,766,646 A 9/1955 Marble
2,797,307 A 6/1957 Goodwin
2,930,884 A 3/1960 Monax
2,936,365 A 5/1960 Niemi
3,035,155 A * 5/1962 Hawk B23K 9/282
219/139
3,219,793 A 11/1965 Mahoney
D214,056 S * 5/1969 Trepanier D15/144
D214,445 S * 6/1969 Dahlman D15/144
4,328,412 A * 5/1982 Watanabe B23K 37/02
219/121.11
4,845,330 A * 7/1989 Gaudin B23K 9/0288
219/60 A

D343,629 S * 1/1994 Bode D15/144
D456,828 S * 5/2002 Aronson, II D15/144
D489,079 S * 4/2004 Homer-Richardson D15/144
D590,852 S * 4/2009 Killion D15/144
7,825,351 B2 11/2010 Schneider
D700,143 S * 2/2014 Ichio D13/120
D777,541 S * 1/2017 White D8/30
D795,193 S * 8/2017 Huang D13/133
2006/0191907 A1 8/2006 Henley et al.
2008/0217314 A1 * 9/2008 Wells B23K 9/122
219/145.1
2009/0188902 A1 * 7/2009 Swartz B23K 9/32
219/130.1
2010/0320183 A1 * 12/2010 Borchert B23K 9/1006
219/130.1
2011/0006047 A1 * 1/2011 Penrod B23K 9/0956
219/137 R

(Continued)

FOREIGN PATENT DOCUMENTS

CA 1 198 760 12/1985
EP 0 335 778 10/1989

Primary Examiner — Patricia A Palasik
(74) *Attorney, Agent, or Firm* — Lambert & Associates;
Gary E. Lambert; David J. Connaughton, Jr.

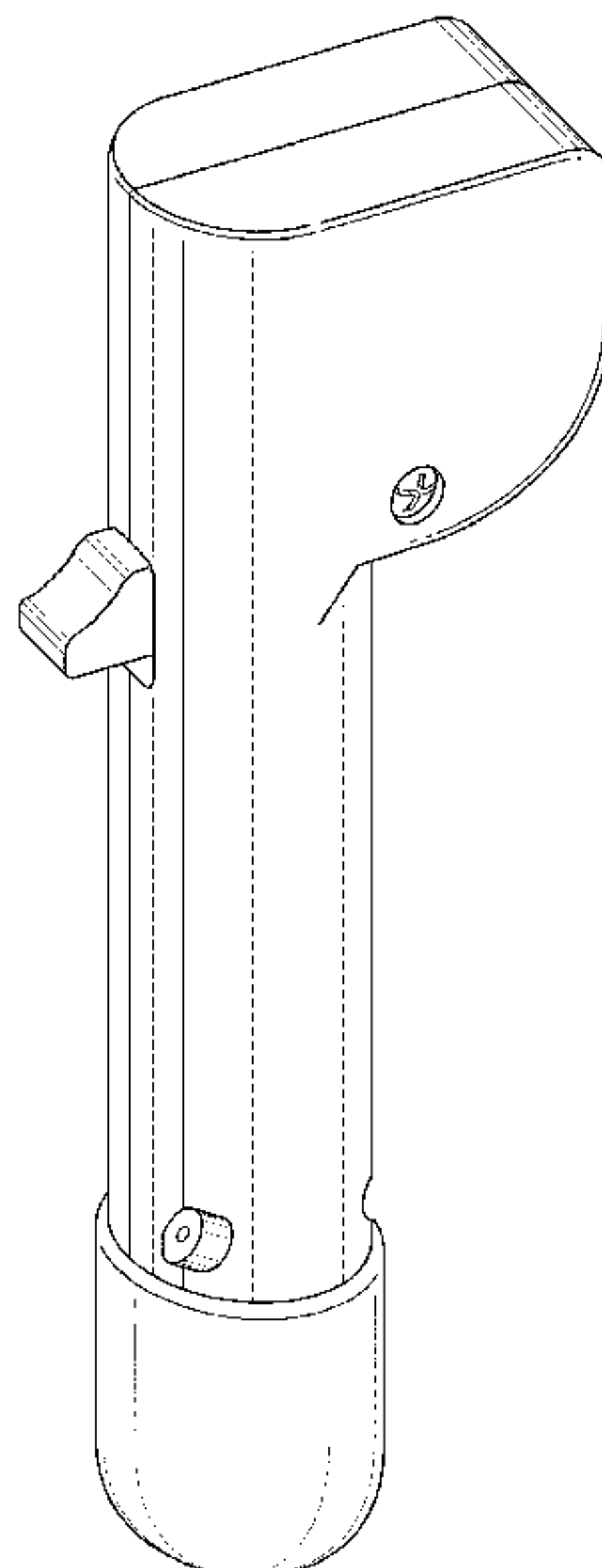
(57) **CLAIM**

The ornamental design for a welding electrode holder, as shown and described.

DESCRIPTION

FIG. 1 is a perspective view of the welding electrode holder, which embodies my design;
FIG. 2 is a left side view thereof;
FIG. 3 is a right side view thereof;
FIG. 4 is a rear view thereof;
FIG. 5 is a front view thereof;
FIG. 6 is a top view thereof; and,
FIG. 7 is a bottom view thereof.

1 Claim, 4 Drawing Sheets



(56)

References Cited

U.S. PATENT DOCUMENTS

2011/0006048 A1* 1/2011 Ma B23K 9/123
219/137.61
2012/0138583 A1* 6/2012 Winn B23K 9/1006
219/121.39
2014/0042134 A1* 2/2014 Liebert B23K 37/00
219/130.1
2016/0332248 A1* 11/2016 Albrecht B23K 9/32
2016/0332264 A1* 11/2016 Albrecht B23K 37/0205
2017/0120398 A1* 5/2017 Veldsman B23K 37/003
2017/0216954 A1* 8/2017 Blankman B23K 9/164
2017/0225257 A1* 8/2017 Lapelosa B23K 9/32

* cited by examiner

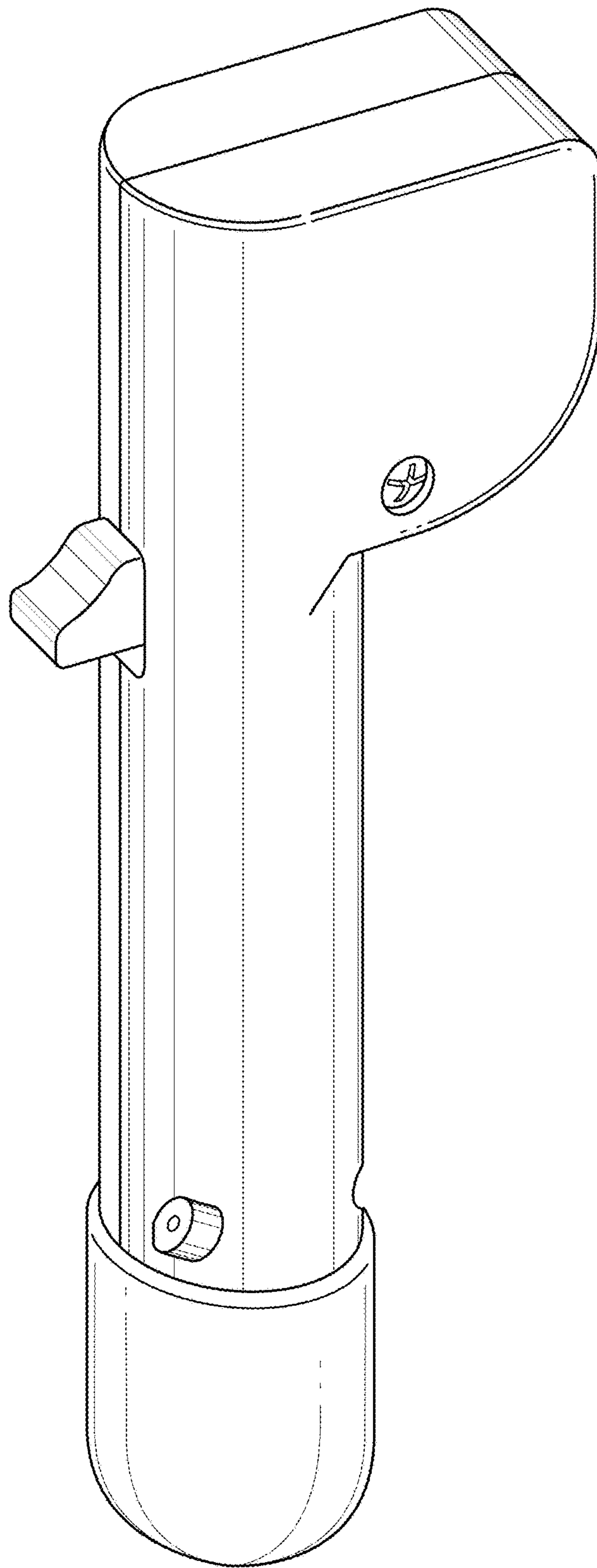


Fig. 1

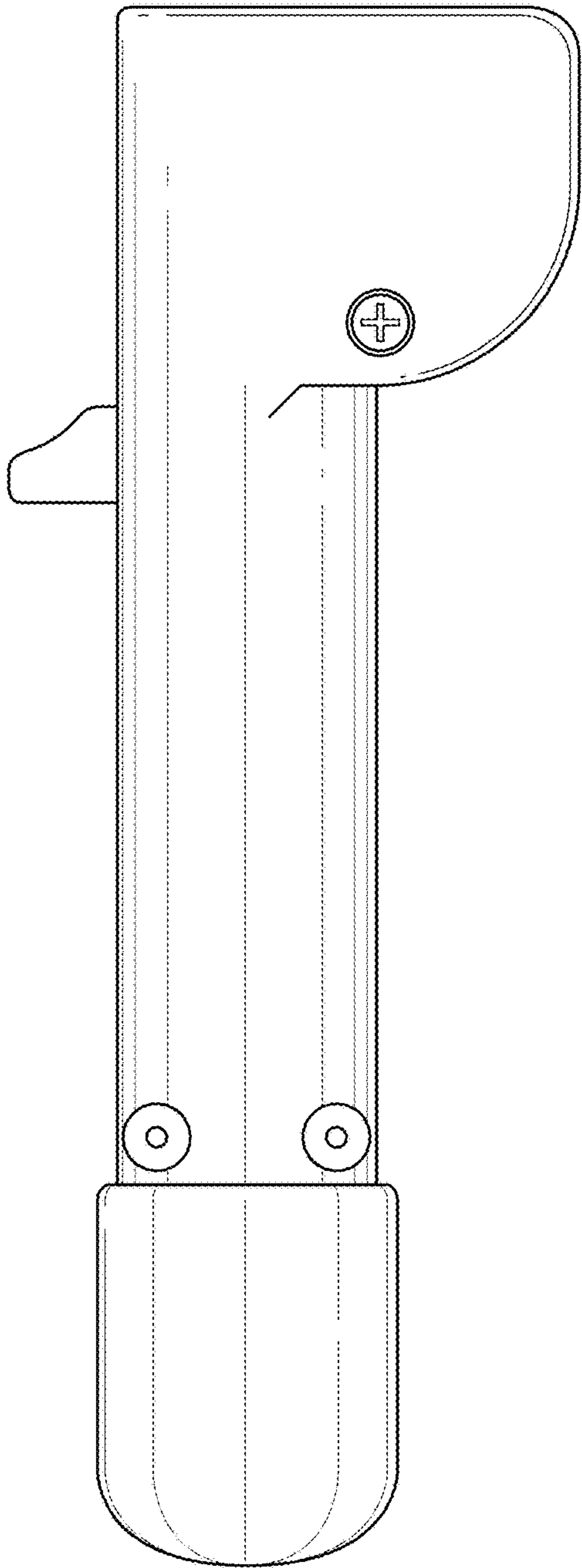


Fig. 2

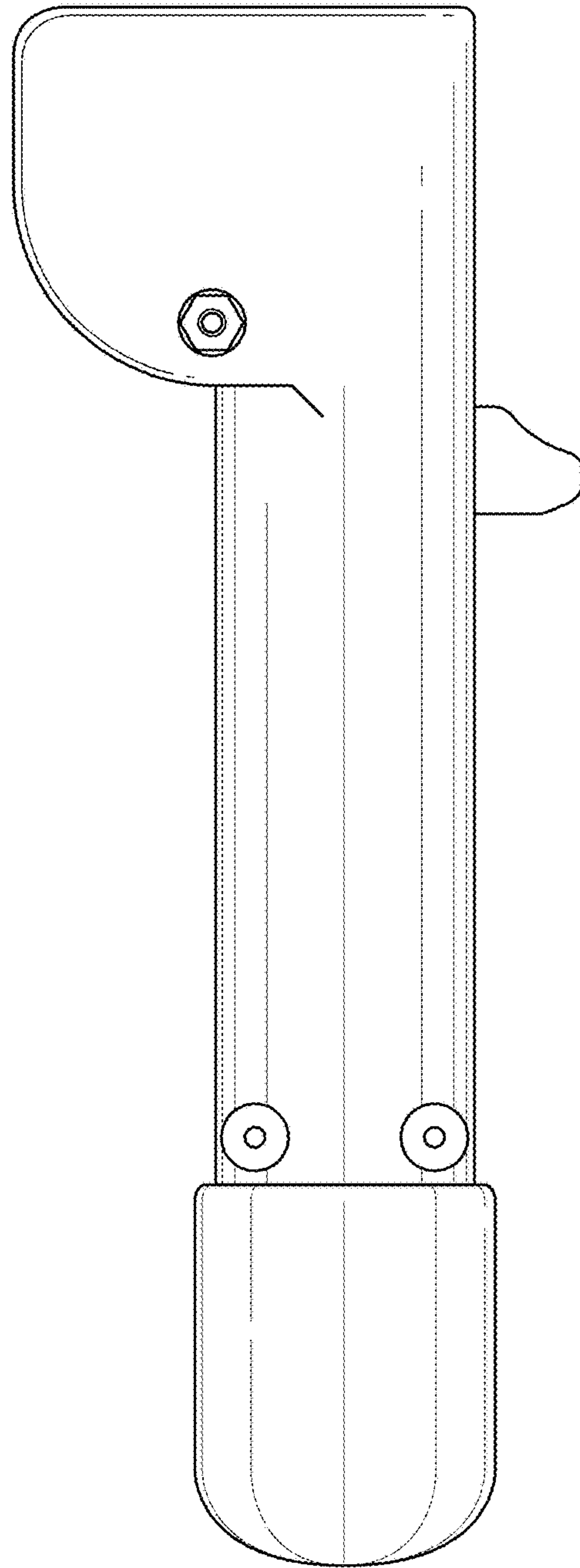


Fig. 3

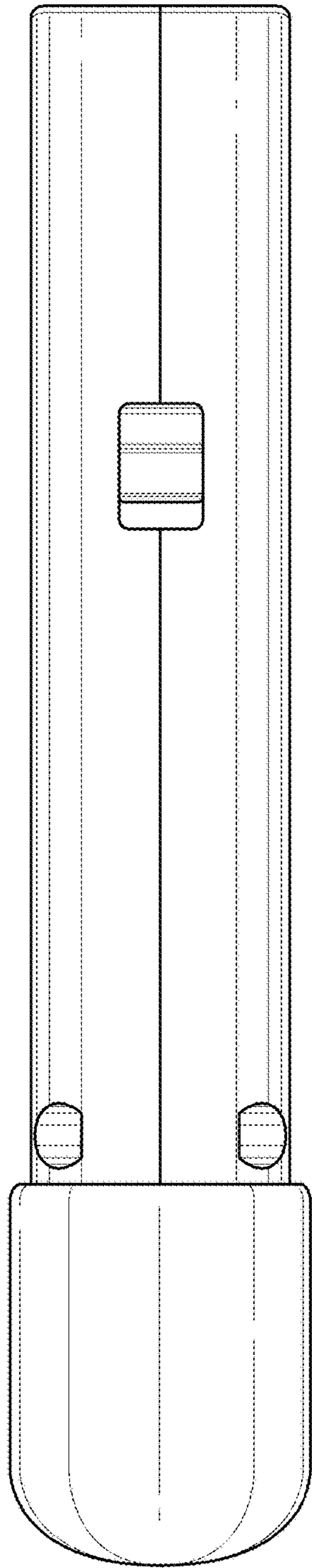


Fig. 4

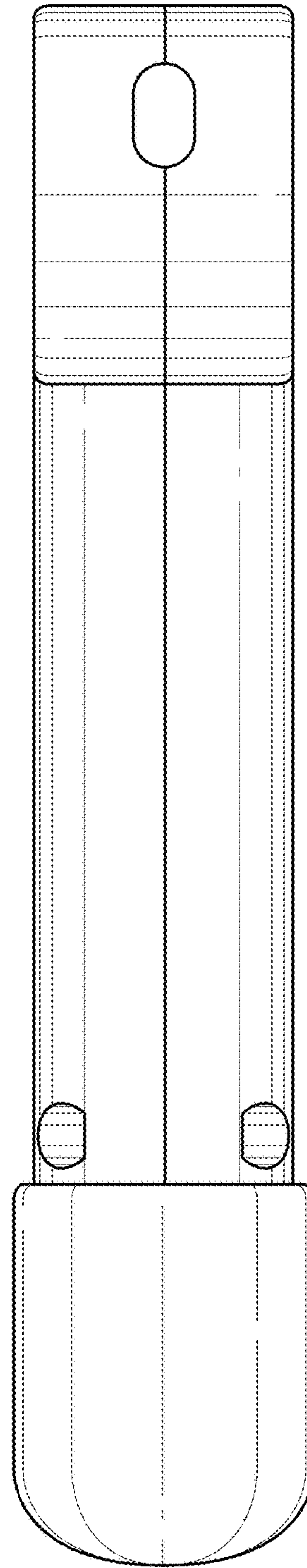


Fig. 5

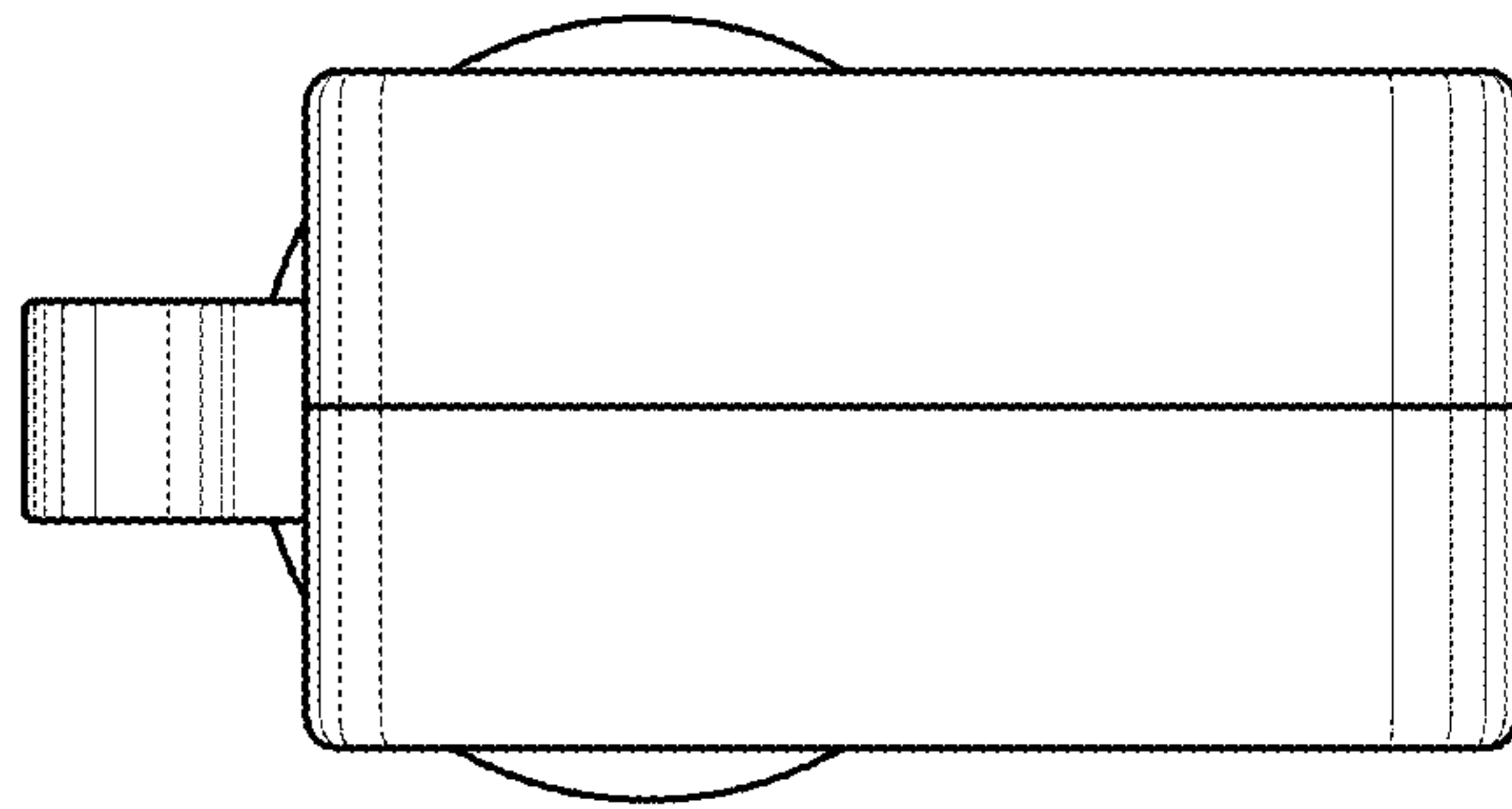


Fig. 6

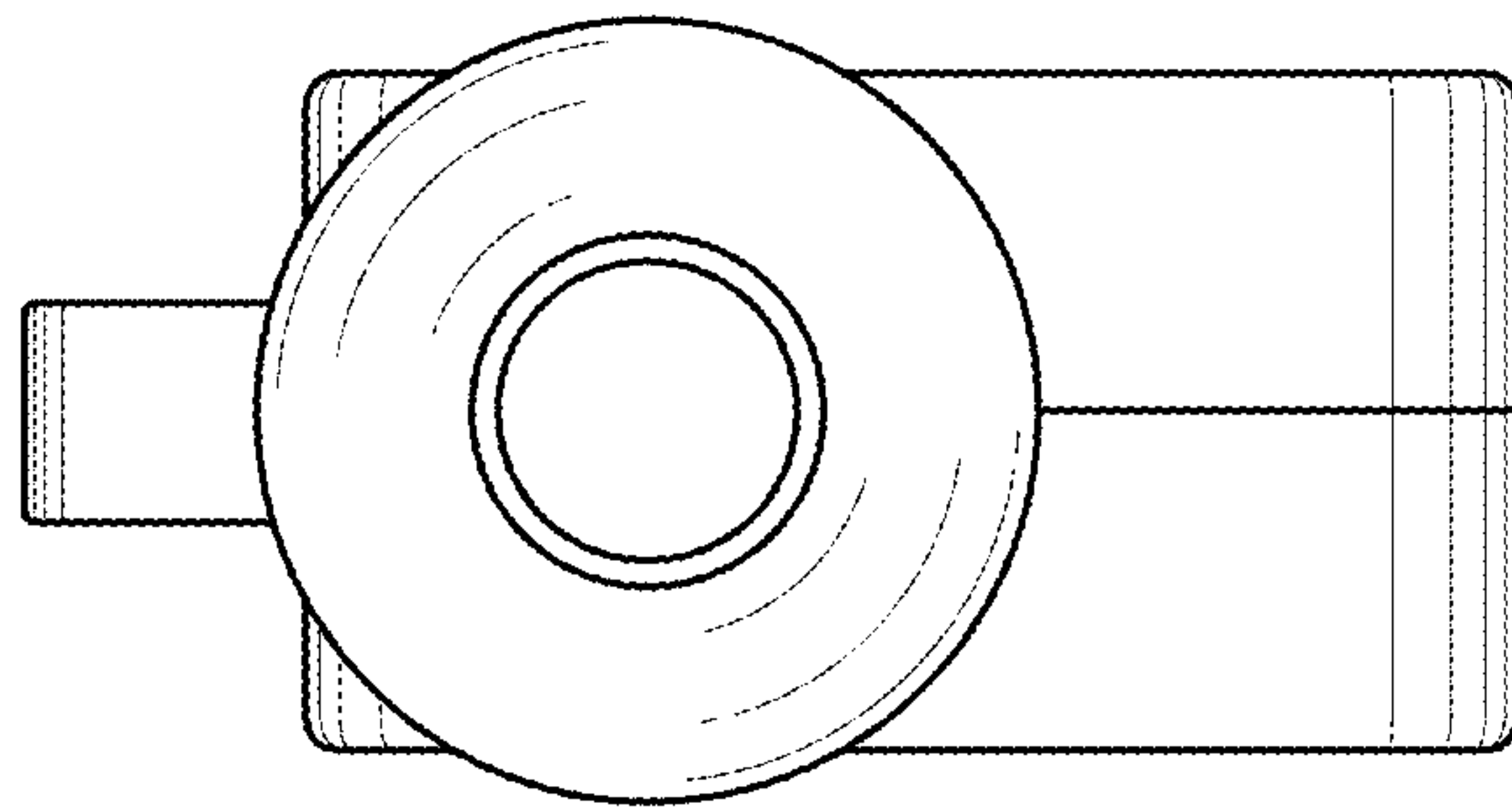


Fig. 7