



US00D804552S

(12) **United States Design Patent** (10) **Patent No.:** **US D804,552 S**  
**Lee et al.** (45) **Date of Patent:** **\*\* Dec. 5, 2017**

(54) **CUTTING INSERT**

B23C 2200/0422; B23C 27/007; B23C 27/143; B23C 2200/321; B23C 2200/087

See application file for complete search history.

(71) Applicant: **KORLOY INC.**, Seoul (KR)

(72) Inventors: **Nam Seon Lee**, Cheongju-si (KR); **Ki Chan Nam**, Cheongju-si (KR); **Kwan Hee Lee**, Cheongju-si (KR); **Hyo San Kim**, Cheongju-si (KR); **Young Heum Kim**, Cheongju-si (KR)

(\*\*) Term: **15 Years**

(21) Appl. No.: **35/500,845**

(22) Filed: **Feb. 17, 2016**

(80) **Hague Agreement Data**

Int. Filing Date: **Feb. 17, 2016**  
Int. Reg. No.: **DM/090082**  
Int. Reg. Date: **Feb. 17, 2016**  
Int. Reg. Pub. Date: **Apr. 22, 2016**

(30) **Foreign Application Priority Data**

Aug. 18, 2015 (KR) ..... 30-2015-0041376

(51) **LOC (10) Cl.** ..... **15-09**

(52) **U.S. Cl.**

USPC ..... **D15/139**  
CPC ..... **B23C 5/00** (2013.01); **B23C 2200/0494** (2013.01)

(58) **Field of Classification Search**

USPC ..... D15/124-144; D8/16-20, 70, 90, 98; 409/137-140; 407/59, 114  
CPC ..... B23C 2200/0494; B23C 2200/086; B23C 2200/128; B23C 2200/362; B23C 5/15; B23C 5/06; B23C 5/207; B23C 2200/367;

(56) **References Cited**

U.S. PATENT DOCUMENTS

D344,276 S *	2/1994	Markusson	.....	D15/139
D389,496 S *	1/1998	Muren	.....	D15/139
D393,270 S *	4/1998	Muren	.....	D15/139
D395,663 S *	6/1998	Muren	.....	D15/139
D425,086 S *	5/2000	Bernadic	.....	D15/139
D426,245 S *	6/2000	Bernadic	.....	D15/139
D429,261 S *	8/2000	Hartlohner	.....	D15/139
D431,579 S *	10/2000	Hartlohner	.....	D15/139
D436,608 S *	1/2001	Hartlohner	.....	D15/139
D448,393 S *	9/2001	Hartlohner	.....	D15/139
D481,048 S *	10/2003	Brockett	.....	D15/139
D485,852 S *	1/2004	Arvidsson	.....	D15/139
D487,281 S *	3/2004	Roman	.....	D15/139
D487,755 S *	3/2004	Kasperik	.....	D15/139
D487,759 S *	3/2004	Kasperik	.....	D15/139
D488,175 S *	4/2004	Kasperik	.....	D15/139
D488,176 S *	4/2004	Kasperik	.....	D15/139
D503,181 S *	3/2005	Kasperik	.....	D15/139
D522,025 S *	5/2006	Niebauer	.....	D15/139
D523,039 S *	6/2006	Niebauer	.....	D15/139

(Continued)

*Primary Examiner* — Richard E Chilcot

(74) *Attorney, Agent, or Firm* — Rabin & Berdo, P.C.

(57) **CLAIM**

The ornamental design for a cutting insert, as shown and described.

**DESCRIPTION**

- 1. Cutting insert
- 1.1 : Perspective
- 1.2 : Front
- 1.3 : Back
- 1.4 : Left
- 1.5 : Right
- 1.6 : Top
- 1.7 : Bottom

(Continued)

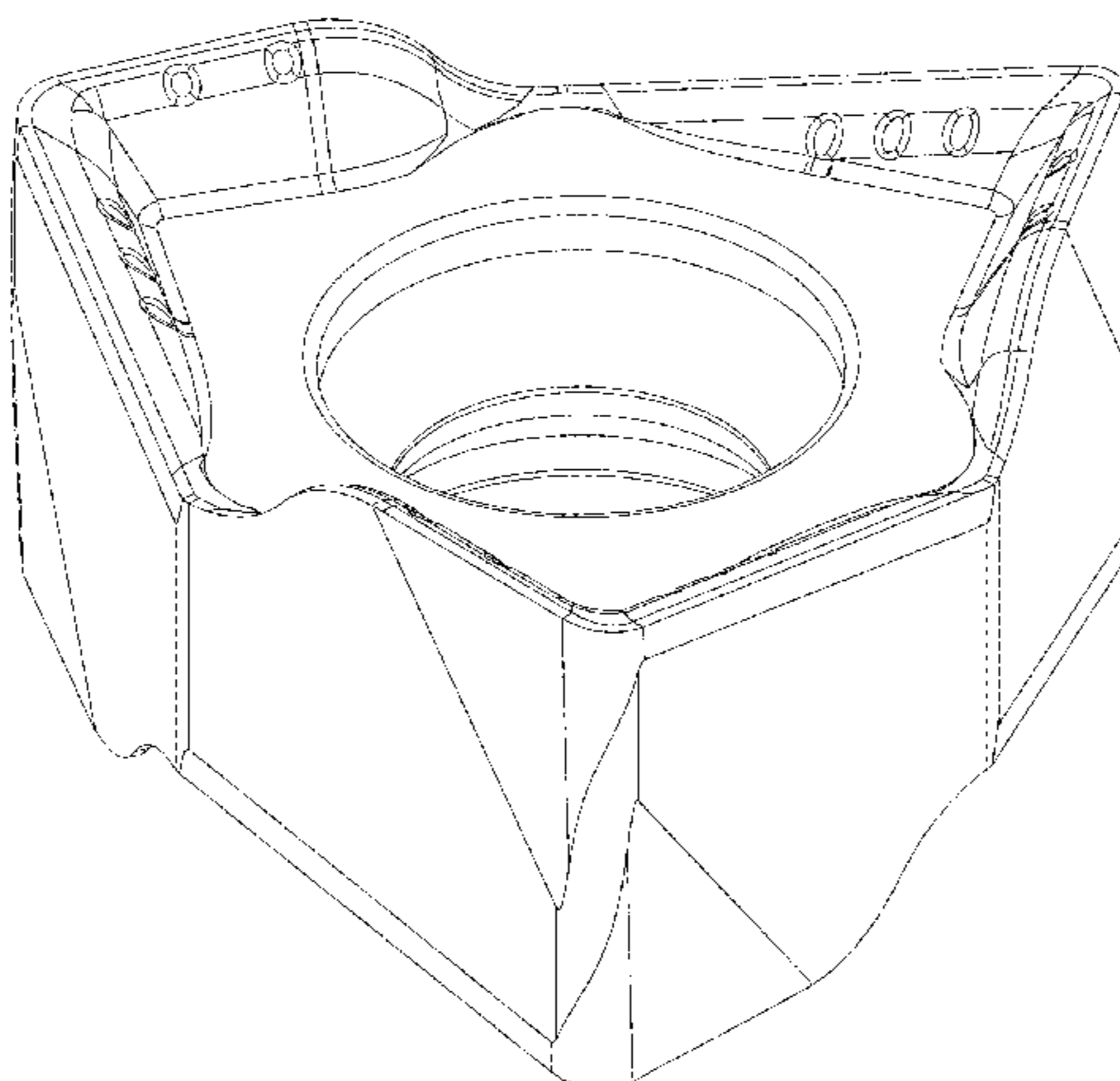


Fig. 1.1 is a perspective view of a cutting insert; fig. 1.2 is a front elevational view thereof; fig. 1.3 is a rear elevational view thereof; fig. 1.4 is a left side elevational view thereof; fig. 1.5 is a right side elevational view thereof; fig. 1.6 is a top plan view thereof; fig. 1.7 is a bottom plan view thereof.

**1 Claim, 7 Drawing Sheets**

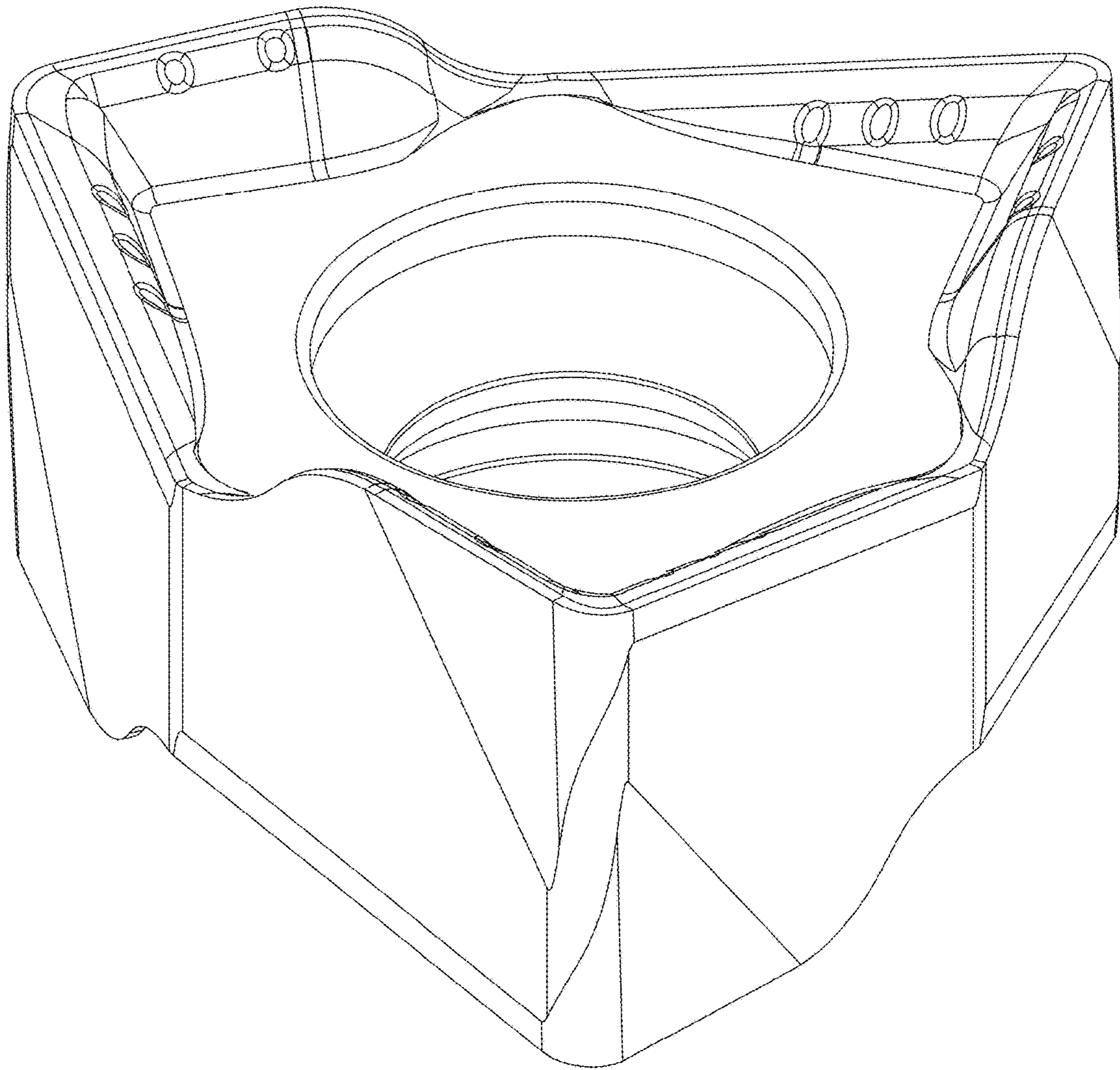
(56)

**References Cited**

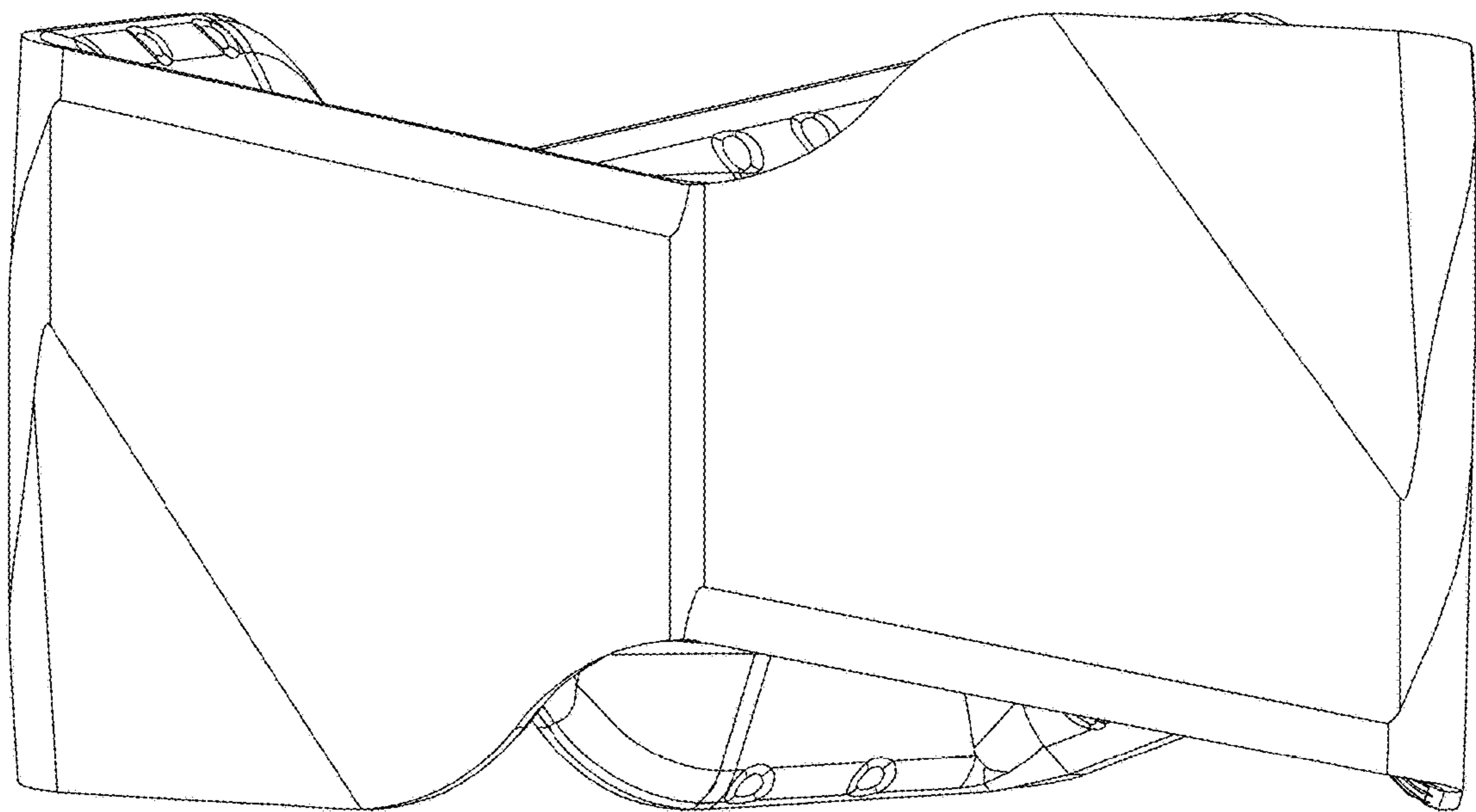
U.S. PATENT DOCUMENTS

D523,040	S	*	6/2006	Niebauer	.....	D15/139
D550,730	S	*	9/2007	Nicholas	.....	D15/140
D555,684	S	*	11/2007	Waggle	.....	D15/139
D635,598	S	*	4/2011	Widin	.....	D15/139
D637,214	S	*	5/2011	Saito	.....	D15/139
D638,041	S	*	5/2011	Saito	.....	D15/139
D688,716	S	*	8/2013	Lampe	.....	D15/139
D710,917	S	*	8/2014	Jung	.....	D15/139
D714,849	S	*	10/2014	Choi	.....	D15/139
D736,841	S	*	8/2015	Jung	.....	D15/139
D744,557	S	*	12/2015	Koike	.....	D15/139
D748,703	S	*	2/2016	Nam	.....	D15/139
D752,664	S	*	3/2016	Jung	.....	D15/139
D755,267	S	*	5/2016	Lee	.....	D15/139
D771,726	S	*	11/2016	Nam	.....	D15/139
D772,318	S	*	11/2016	Nam	.....	D15/139
D772,319	S	*	11/2016	Nam	.....	D15/139
D772,963	S	*	11/2016	Nam	.....	D15/139

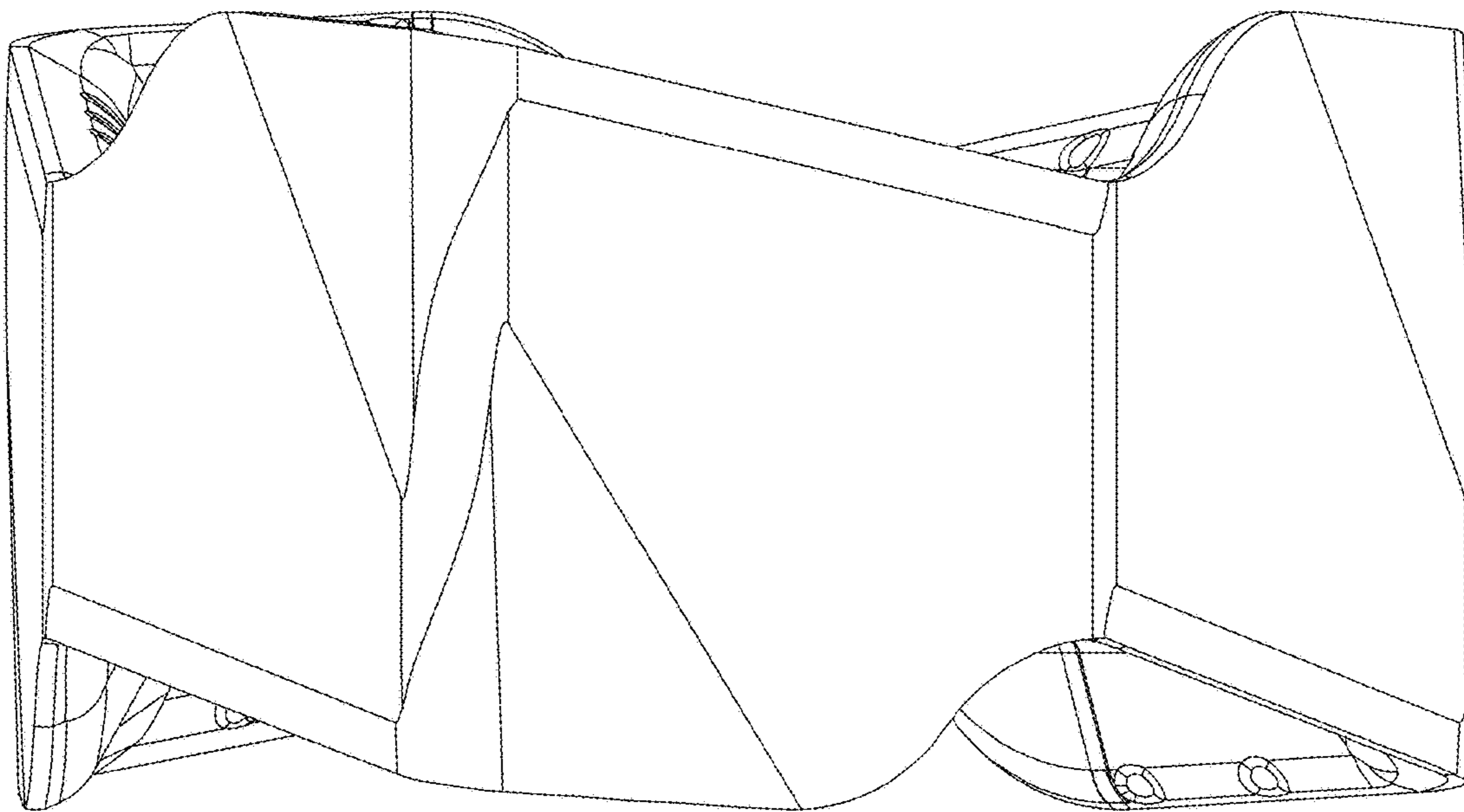
\* cited by examiner



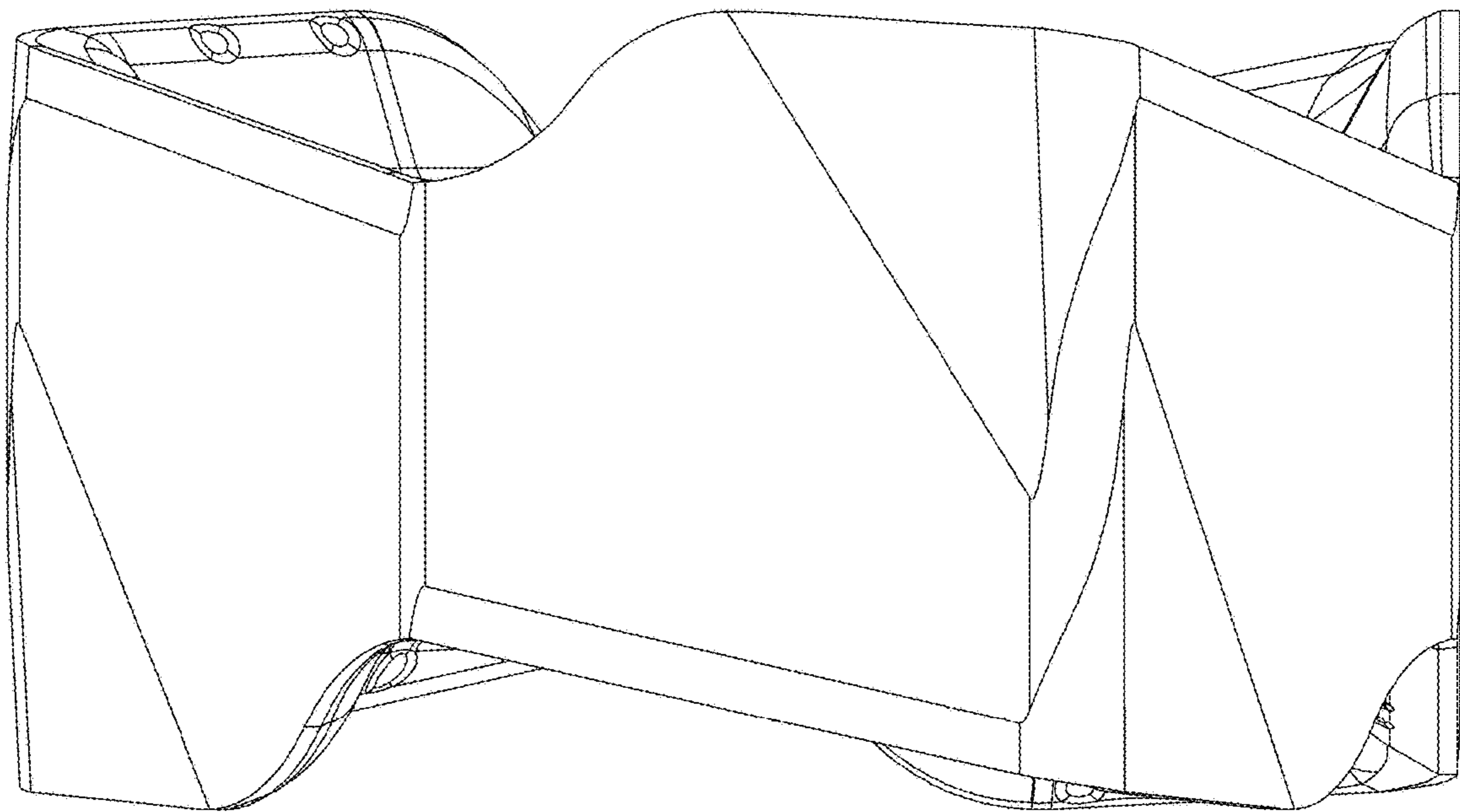
1.1



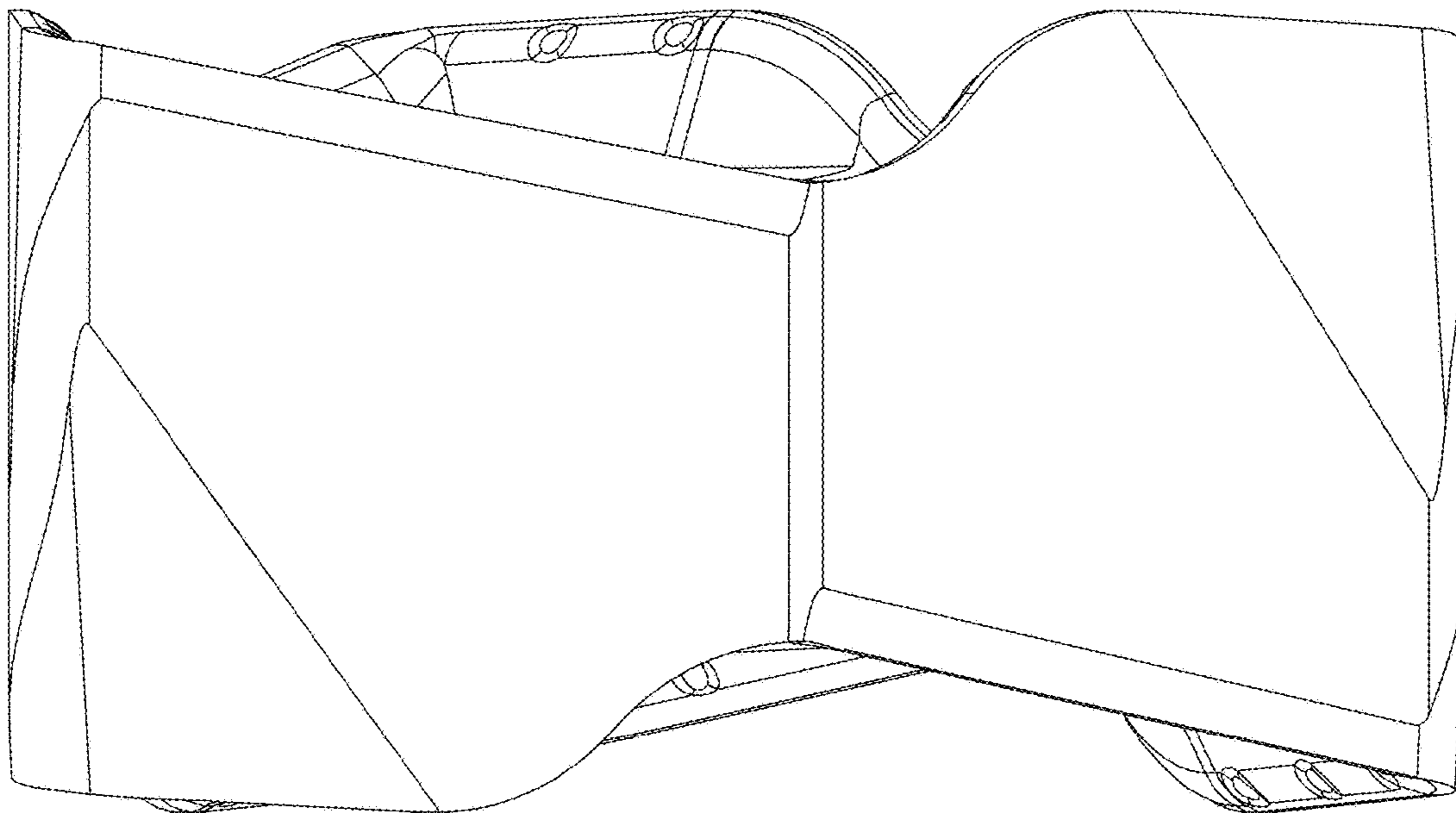
1.2



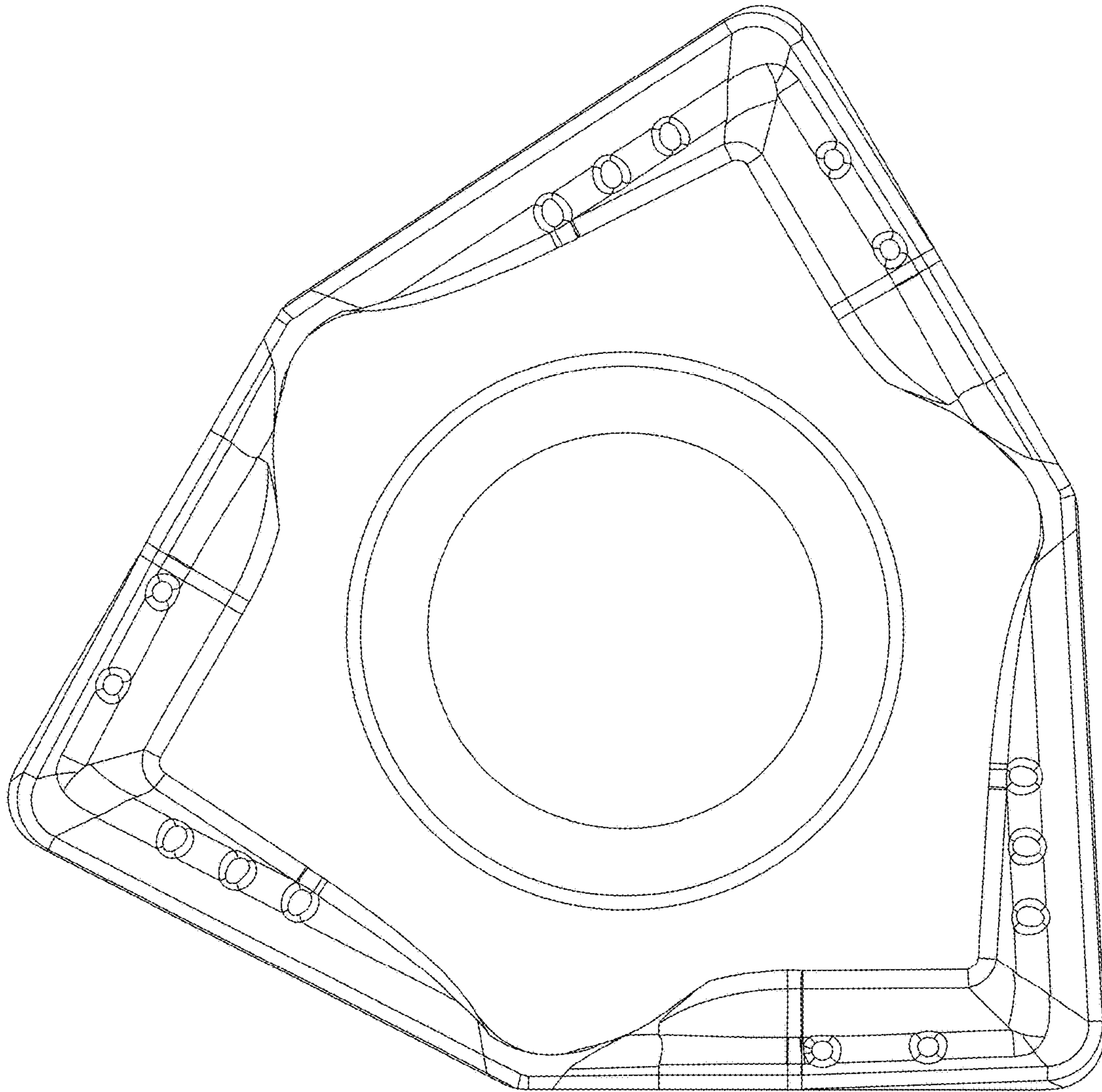
1.3



1.4

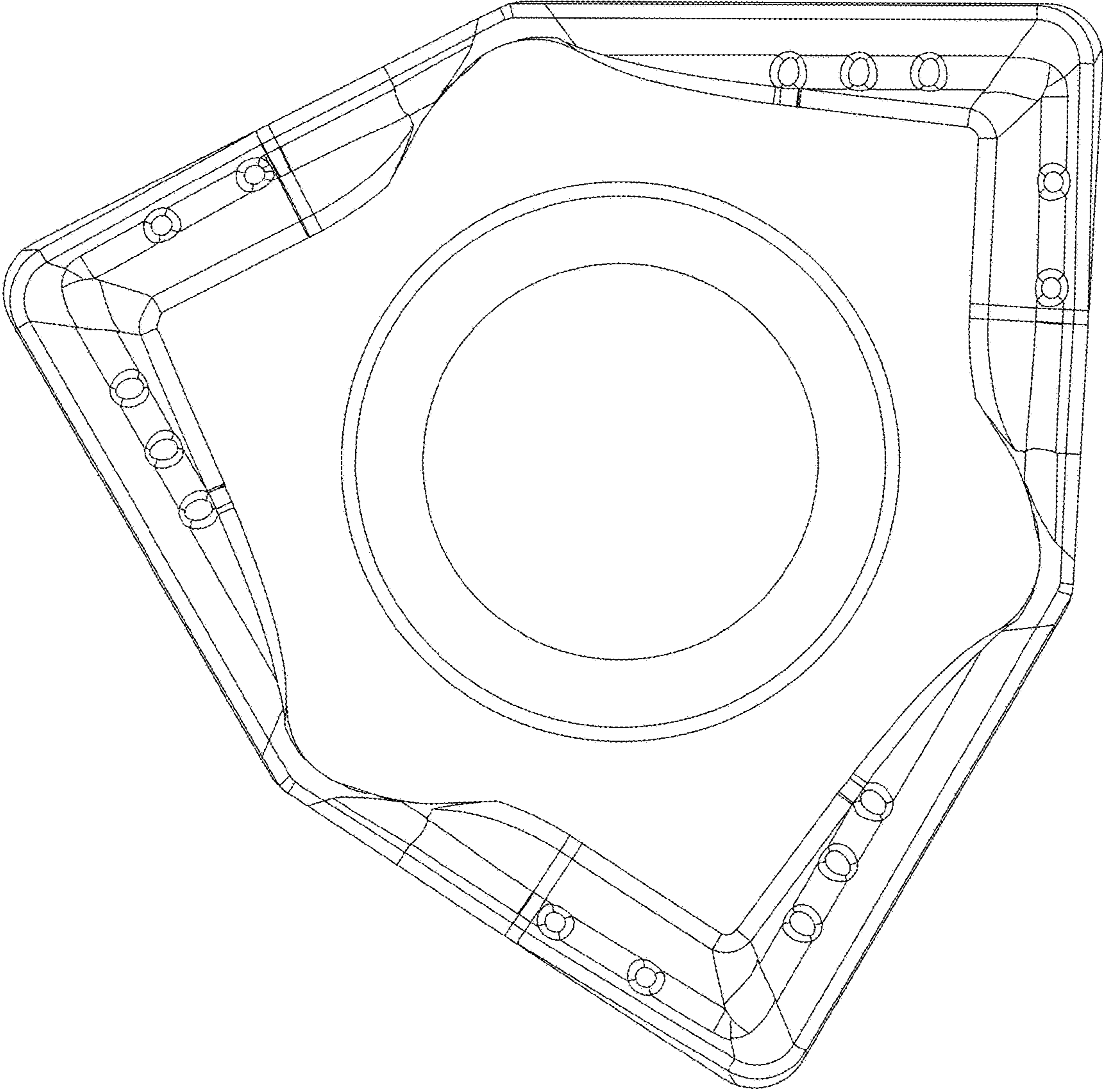


1.5



1.6





1.7