



US00D804551S

(12) **United States Design Patent**  
**Rhode**

(10) **Patent No.:** **US D804,551 S**

(45) **Date of Patent:** **\*\* Dec. 5, 2017**

- (54) **SAW TOOTH**
- (71) Applicant: **China Pacificarbide, Inc.**, Chino, CA (US)
- (72) Inventor: **Jeff Tyler Rhode**, Anaheim Hills, CA (US)
- (73) Assignee: **China Pacificarbide, Inc.**, Chino, CA (US)
- (\*\*) Term: **15 Years**
- (21) Appl. No.: **29/564,591**
- (22) Filed: **May 13, 2016**
- (51) **LOC (10) Cl.** ..... **15-09**
- (52) **U.S. Cl.**  
USPC ..... **D15/139**
- (58) **Field of Classification Search**  
USPC ..... D15/133, 127, 138, 139  
CPC ..... B23D 57/0007; B23D 57/0038; B23D 57/0061; B23D 57/0084; B23D 61/121; B23D 45/062; B23D 47/02; B23D 47/04; B23D 49/162; B23D 51/025; B23D 55/082; B23D 57/023; B23D 59/003; B23D 59/008; B23D 61/006; B23D 61/125; B23D 61/128; B23D 61/18; B23D 61/185  
See application file for complete search history.

- 5,644,965 A \* 7/1997 MacLennan ..... B23D 61/06 144/241
- 5,647,263 A \* 7/1997 Wildey ..... B23D 61/04 83/835
- 5,873,534 A \* 2/1999 Shinn ..... B02C 18/145 241/294
- D488,174 S \* 4/2004 East ..... D15/139
- 6,725,758 B2 \* 4/2004 MacLennan ..... B23D 61/04 83/839
- D517,104 S \* 3/2006 East ..... D15/139
- D772,963 S \* 11/2016 Nam ..... D15/139

\* cited by examiner

*Primary Examiner* — Ian Simmons

*Assistant Examiner* — Khawaja Anwar

(74) *Attorney, Agent, or Firm* — Boardman & Clark LLP

(57) **CLAIM**

The ornamental design for a saw tooth, as shown and described.

**DESCRIPTION**

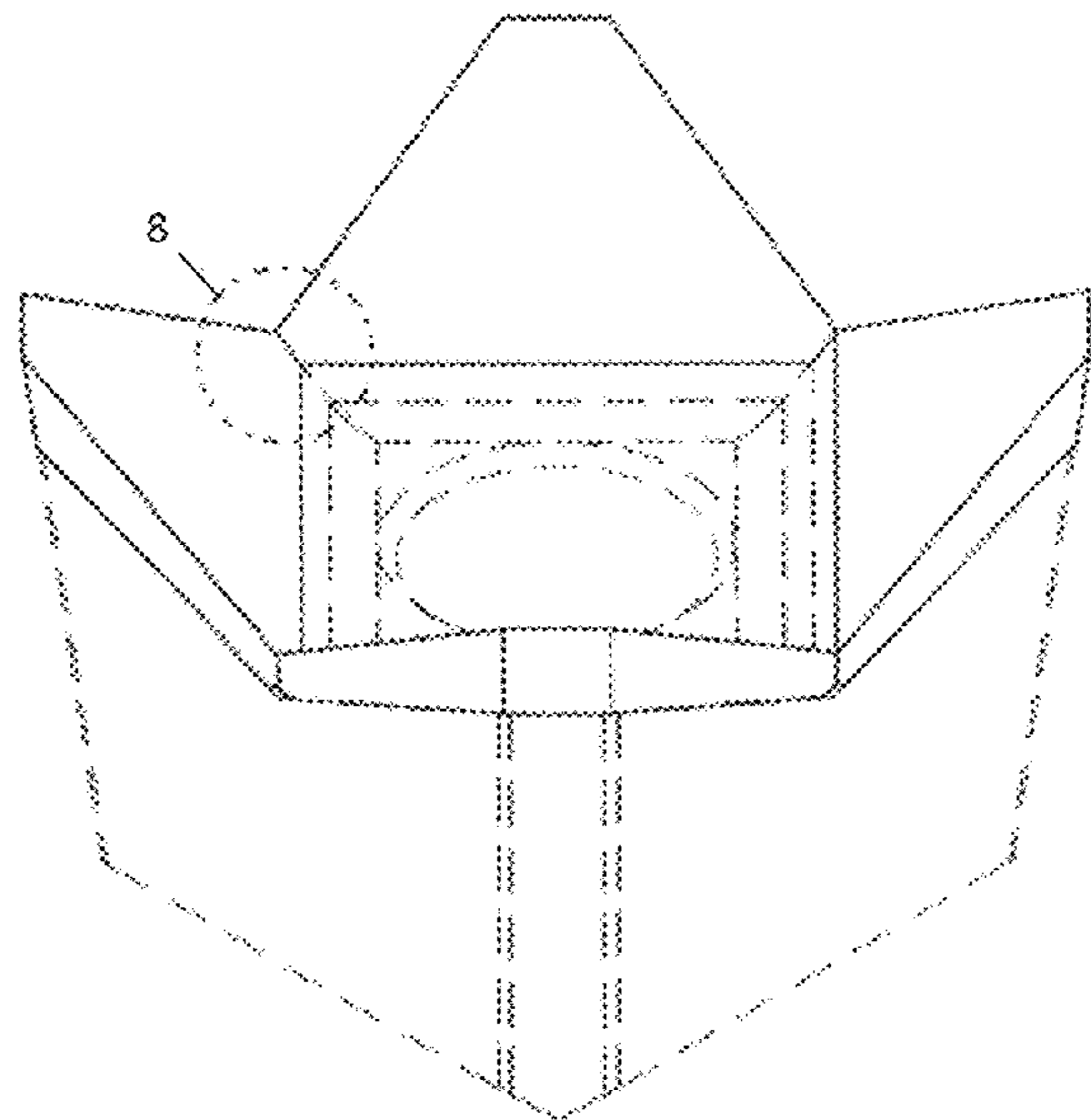
FIG. 1 is a perspective view of a saw tooth, showing my new design;  
 FIG. 2 is a front elevation view thereof;  
 FIG. 3 is a rear elevation view thereof;  
 FIG. 4 is a left-side elevation view thereof;  
 FIG. 5 is a right-side elevation view thereof;  
 FIG. 6 is a top view thereof;  
 FIG. 7 is a bottom plan view thereof; and,  
 FIG. 8 is an enlarged detail view of Circled area in FIG. 1.  
 The broken lines shown in the drawings represent unclaimed environment only and form no part of the claimed design.

**1 Claim, 4 Drawing Sheets**

(56) **References Cited**

U.S. PATENT DOCUMENTS

- 5,205,199 A \* 4/1993 MacLennan ..... B23D 61/04 83/839
- 5,579,674 A \* 12/1996 Wildey ..... B23D 61/04 83/835



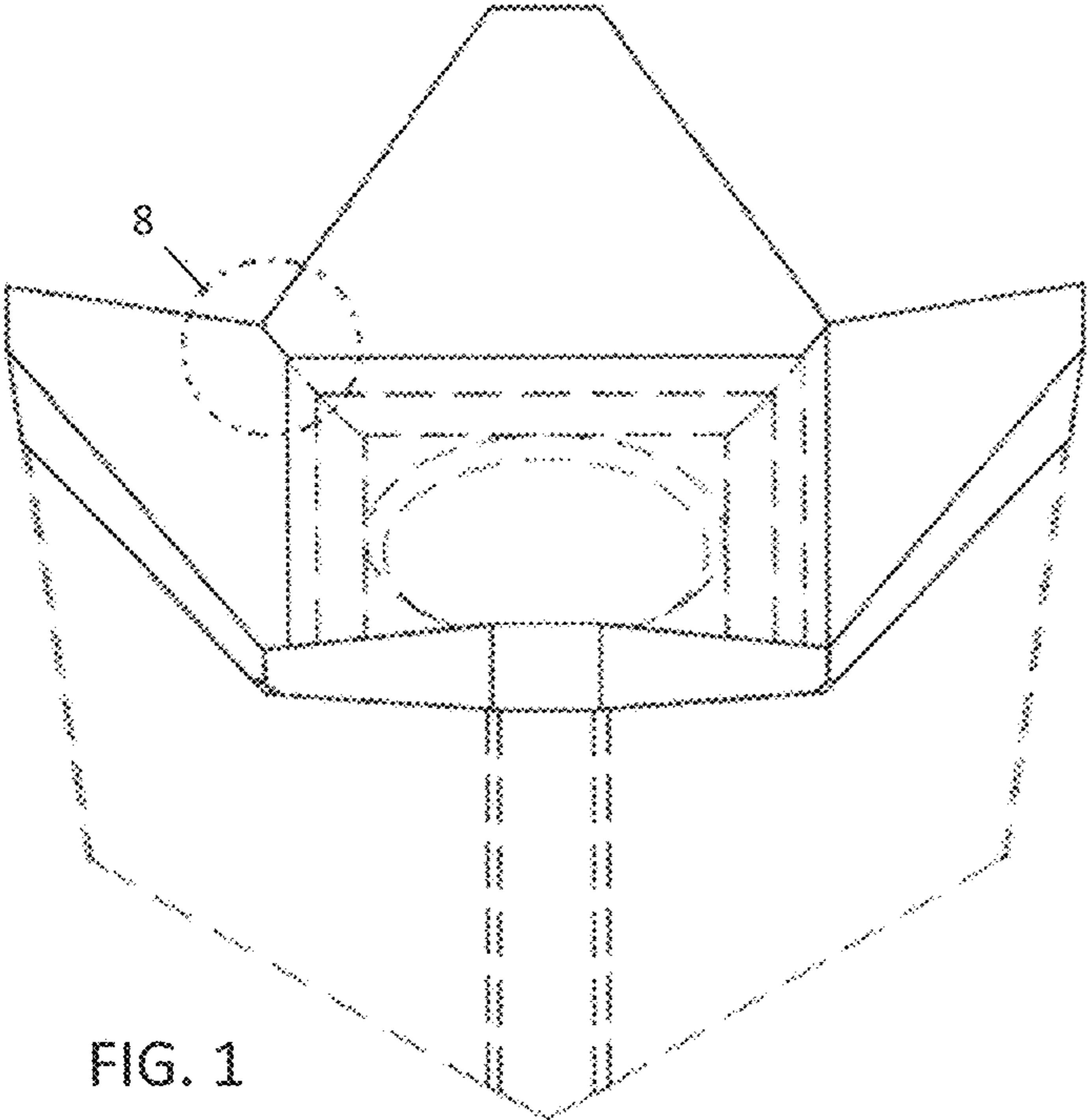


FIG. 1

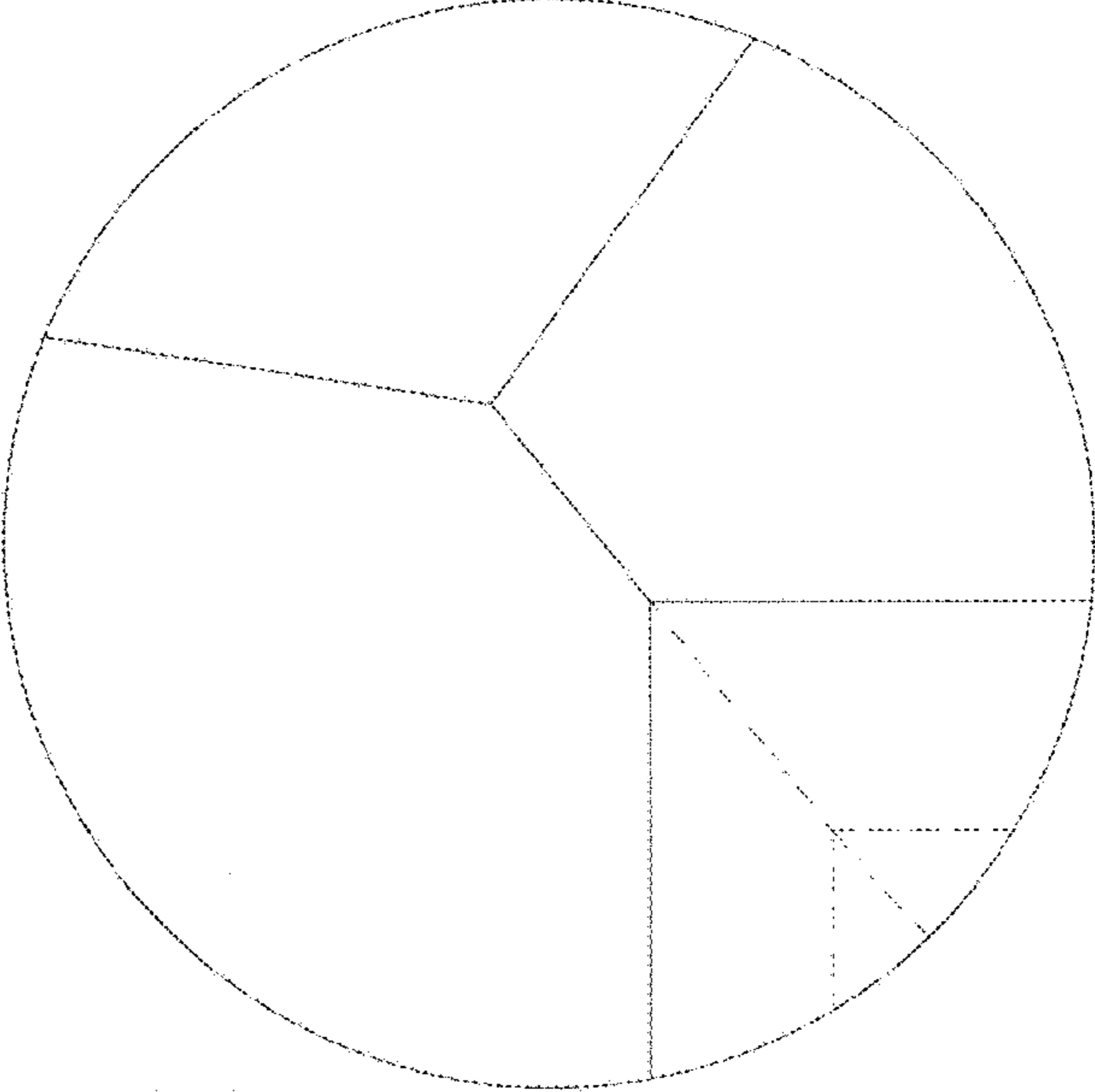


FIG. 8

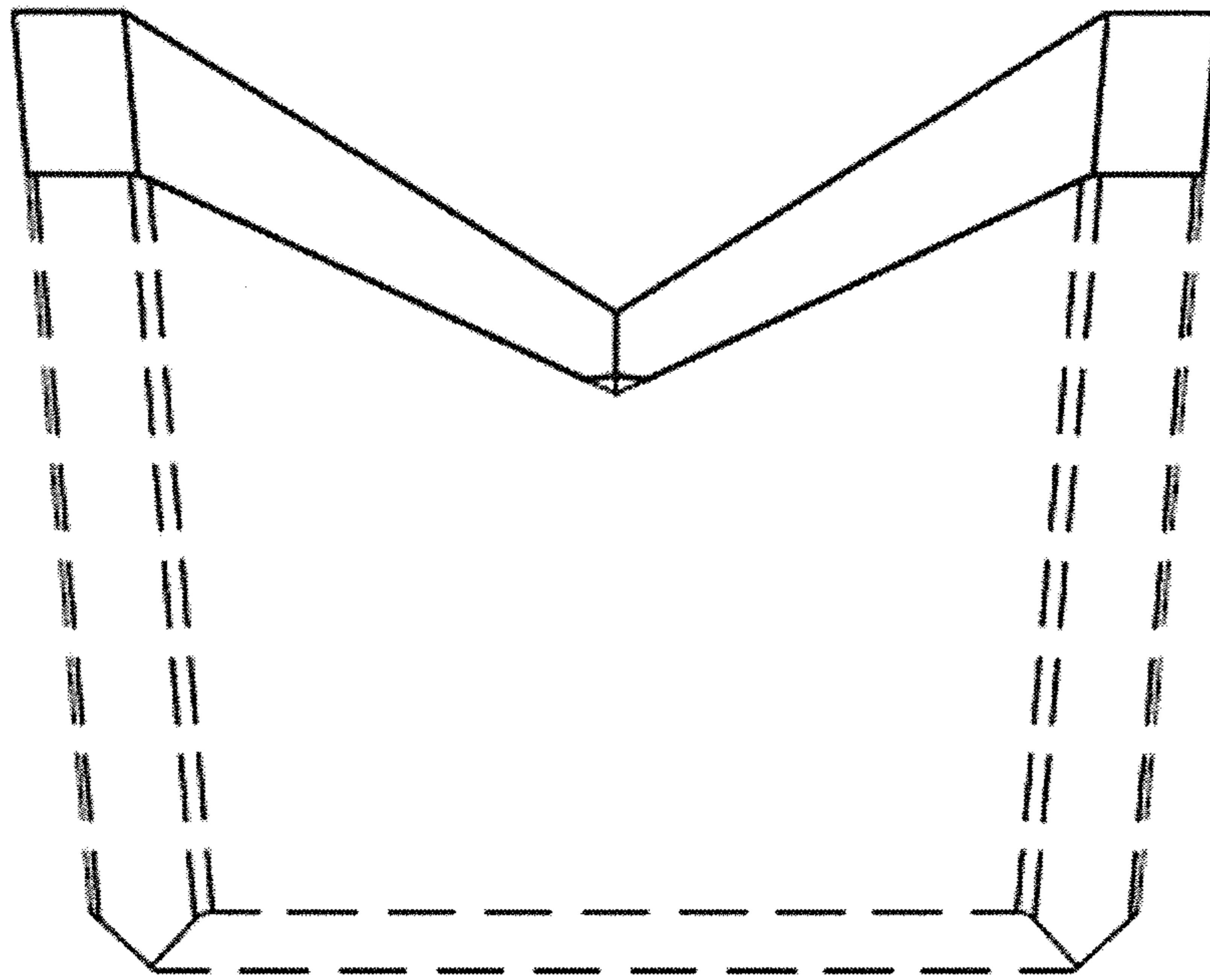


FIG. 2

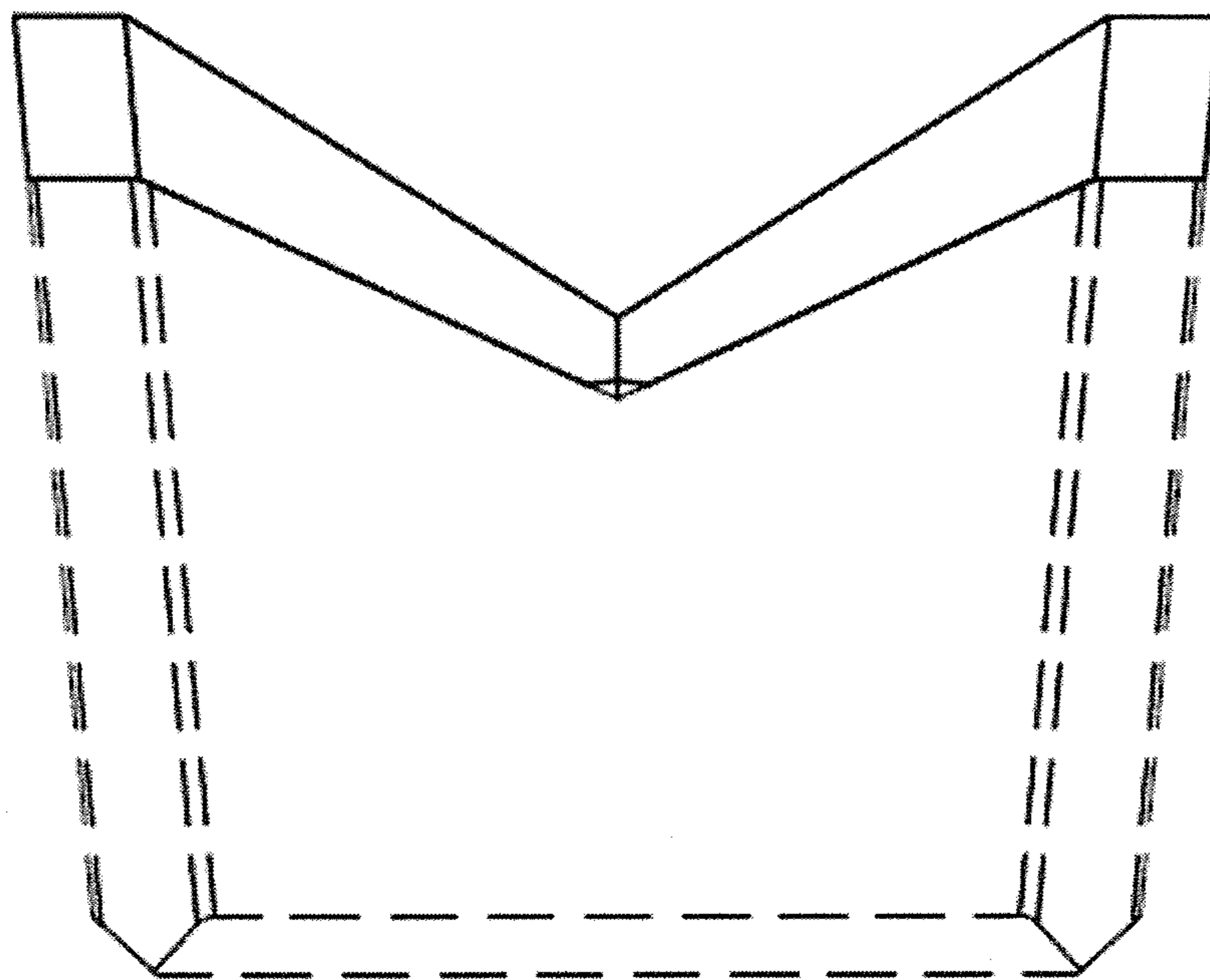


FIG. 3

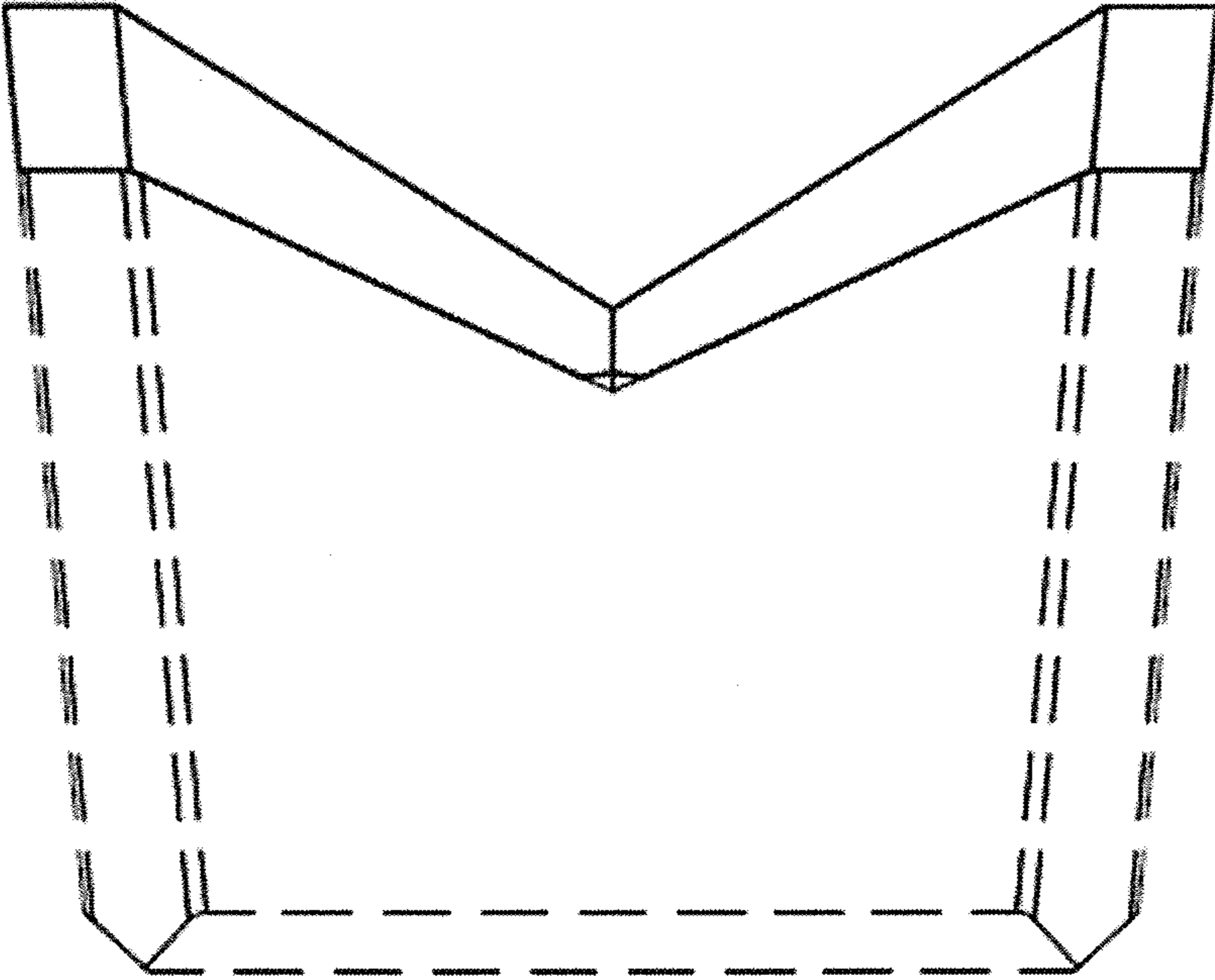


FIG. 4

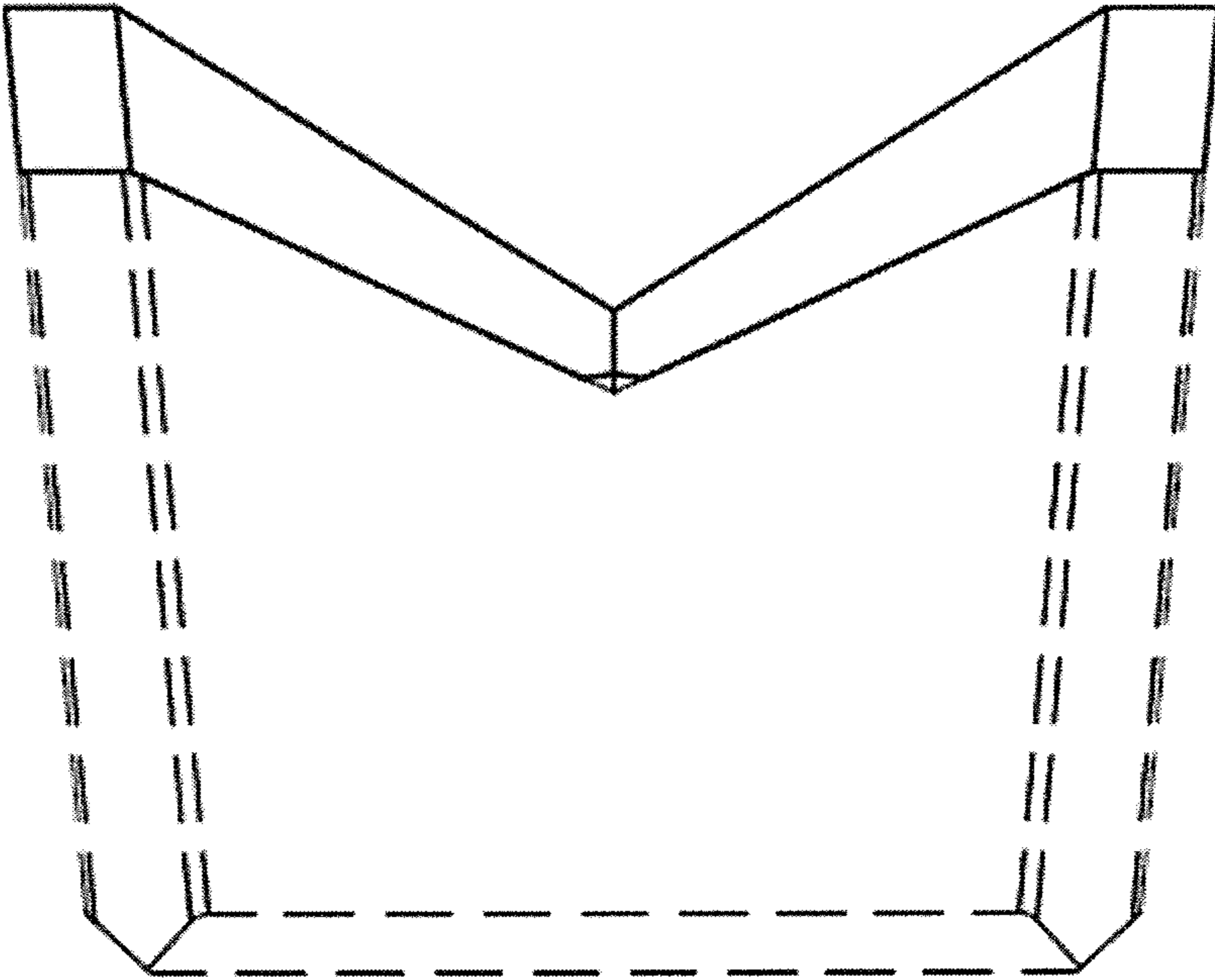


FIG. 5

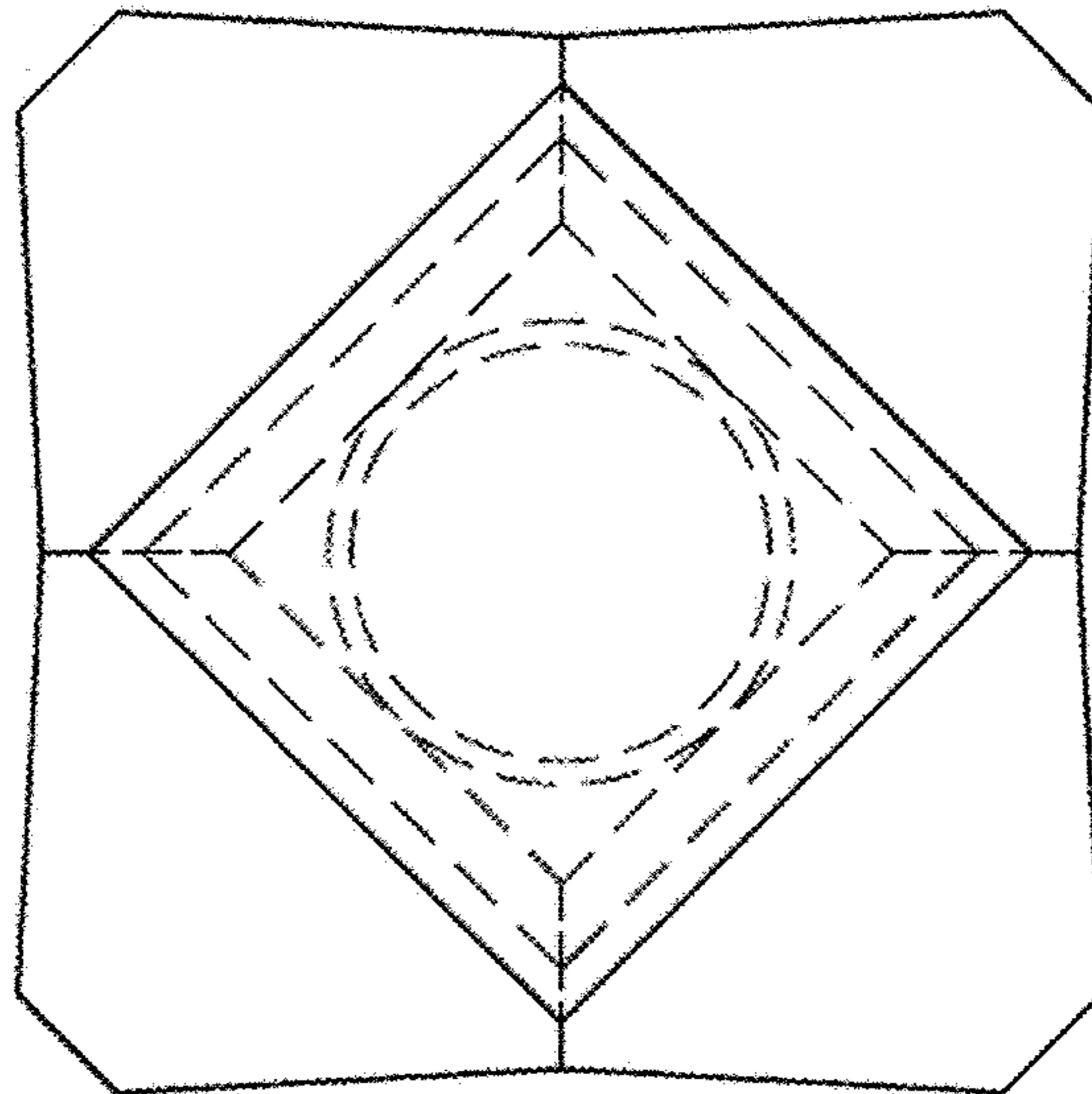


FIG. 6

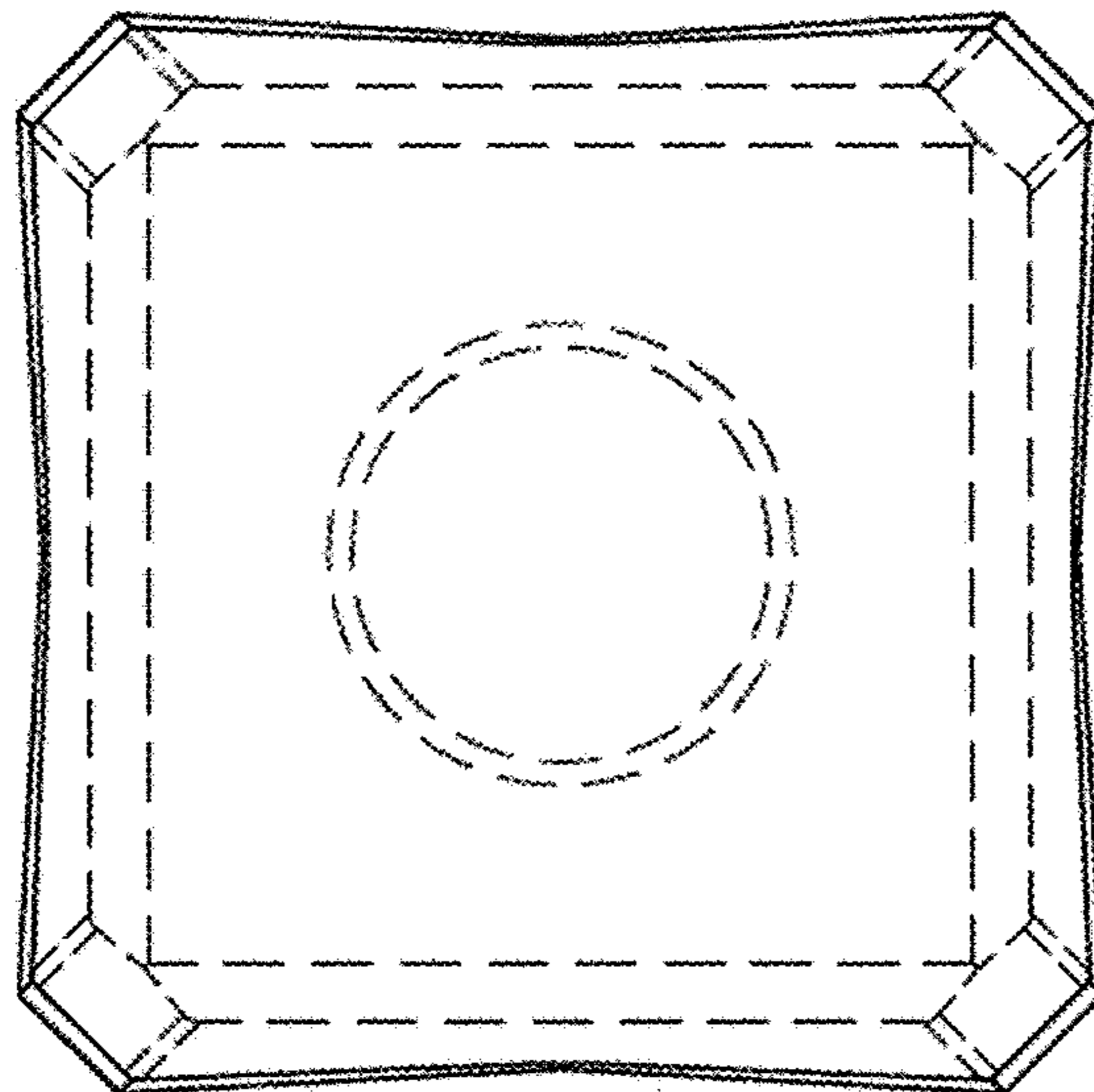


FIG. 7