



US00D804550S

(12) **United States Design Patent**
Lutoslawski et al.

(10) **Patent No.:** **US D804,550 S**

(45) **Date of Patent:** **** Dec. 5, 2017**

- (54) **PULVERIZER ARM**
- (71) Applicants: **Jaroslav Lutoslawski**, Bardford (CA);
Mark Christopher Lugowski,
Scarborough (CA)
- (72) Inventors: **Jaroslav Lutoslawski**, Bardford (CA);
Mark Christopher Lugowski,
Scarborough (CA)
- (73) Assignee: **Torxx Kinetic Pulverizer Limited**
(BM)
- (**) Term: **15 Years**
- (21) Appl. No.: **29/551,731**
- (22) Filed: **Jan. 15, 2016**
- (51) **LOC (10) Cl.** **15-09**
- (52) **U.S. Cl.**
USPC **D15/138**
- (58) **Field of Classification Search**
USPC D8/71, 349; D15/18, 123, 126
CPC B02C 13/26; B02C 21/026; E02F 3/38;
E02F 3/965; Y10T 29/49716
See application file for complete search history.

(56) **References Cited**

U.S. PATENT DOCUMENTS

- 1,447,341 A * 3/1923 Davidson B02C 13/28
241/197
- 2,295,693 A * 9/1942 Seigh B24D 15/06
403/376
- 2,534,301 A * 12/1950 Sennholtz B02C 13/28
241/197
- 2,750,124 A * 6/1956 Brown B02C 13/28
241/197
- D189,399 S * 12/1960 Newman D15/126
- 2,994,486 A * 8/1961 Trudeau B02C 13/28
241/197
- D191,523 S * 10/1961 Newman D15/126

- 3,207,448 A * 9/1965 Miller B02C 13/28
241/197
- 3,510,076 A * 5/1970 Perdue B02C 13/28
241/197
- 4,046,327 A * 9/1977 Cranor B02C 13/28
241/197
- 4,352,774 A * 10/1982 Hornberger B02C 13/28
241/197
- 4,717,083 A * 1/1988 Quast B02C 13/2804
241/197
- 5,169,077 A * 12/1992 Stelk B02C 13/28
241/194
- 5,911,620 A * 6/1999 Spangenberg B24B 55/06
451/540
- D463,965 S * 10/2002 Lee D15/126
- 6,481,654 B1 * 11/2002 Balvanz B02C 13/2804
241/191
- D474,954 S * 5/2003 Kim D15/126
- D477,207 S * 7/2003 Kim D8/70
- 6,814,657 B2 * 11/2004 Spangenberg B24B 55/102
451/488
- D550,728 S * 9/2007 Young D15/123
- D551,266 S * 9/2007 Young D15/123

(Continued)

Primary Examiner — Patricia A Palasik

(74) *Attorney, Agent, or Firm* — Miller & Martin PLLC;
Stephen J. Stark

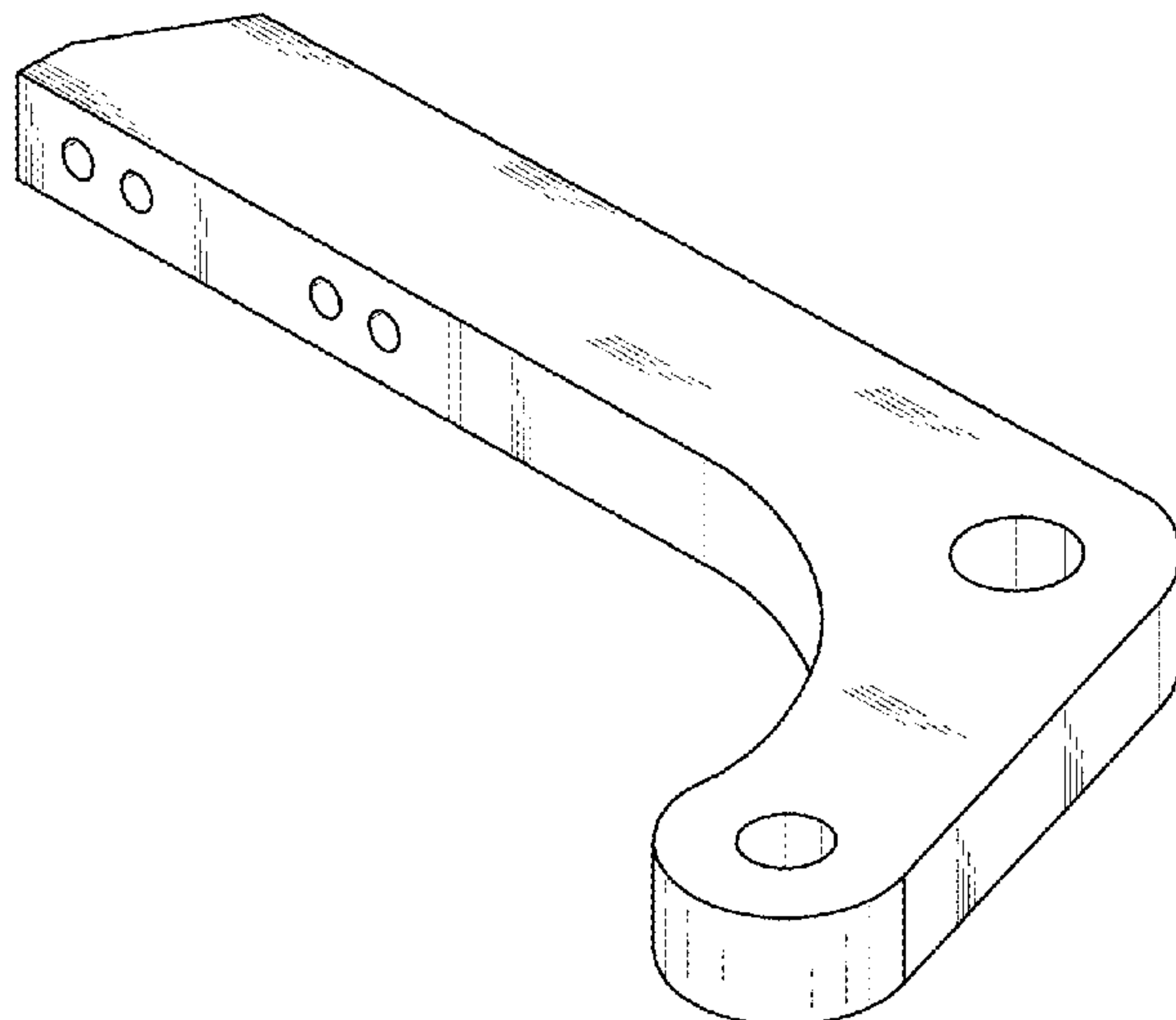
(57) **CLAIM**

The ornamental design for a pulverizer arm, as shown and described.

DESCRIPTION

FIG. 1 is a perspective view thereof;
FIG. 2 is a rear elevational view thereof;
FIG. 3 is a top elevational view thereof; the bottom elevational view being a mirror image thereof;
FIG. 4 is a front side elevational view thereof;
FIG. 5 is a left side elevational view thereof; and,
FIG. 6 is a right side elevational view thereof.

1 Claim, 3 Drawing Sheets



(56)

References Cited

U.S. PATENT DOCUMENTS

D574,400 S *	8/2008	Willibald	D15/123
D583,838 S *	12/2008	Schmitz	D15/123
D589,541 S *	3/2009	Park	D15/126
7,516,912 B2 *	4/2009	Schmitz	B02C 13/04 241/194
8,033,490 B1 *	10/2011	Young	B02C 13/04 241/194
2009/0114751 A1 *	5/2009	Doppstadt	B02C 18/18 241/197

* cited by examiner

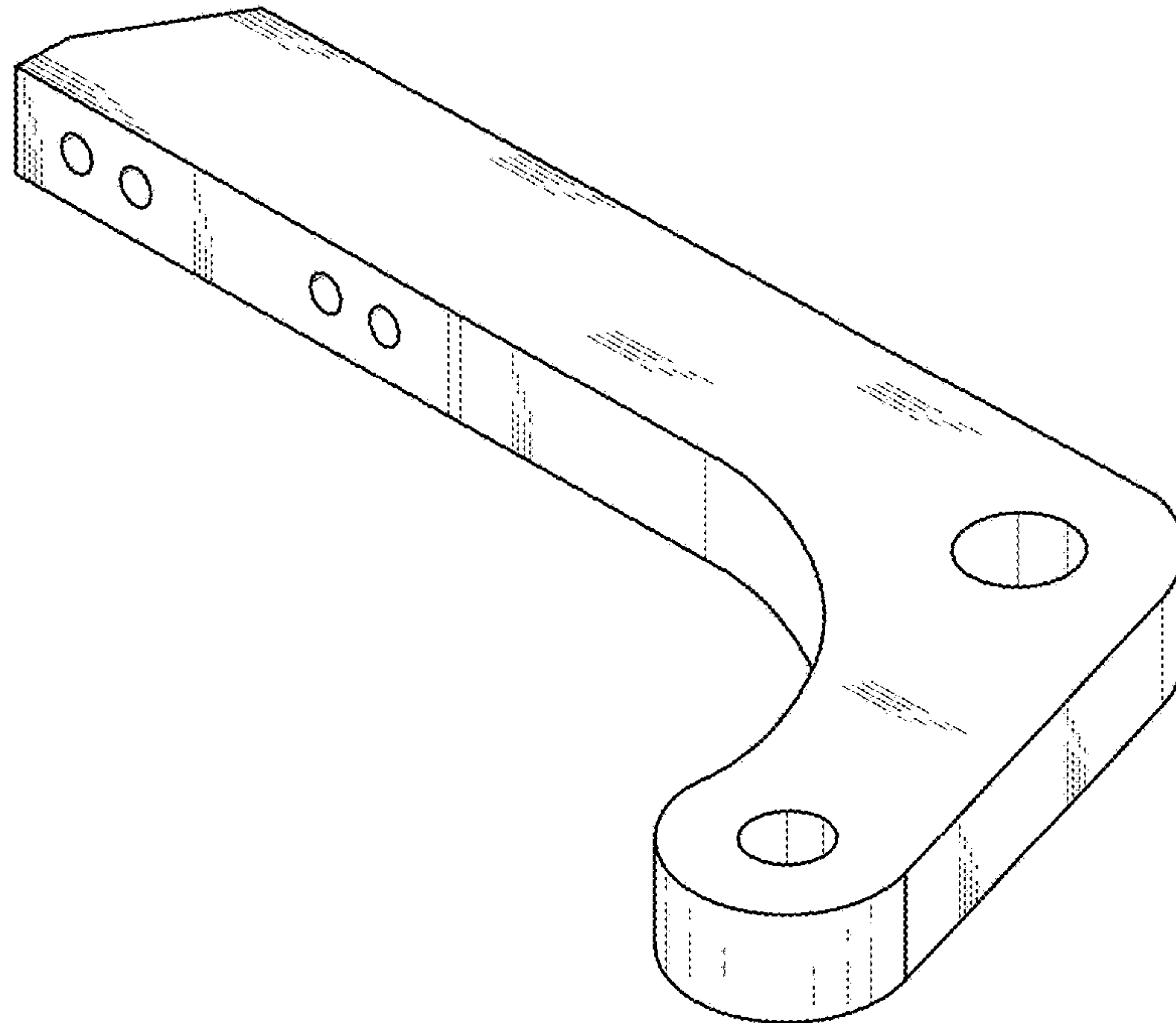


FIG. 1

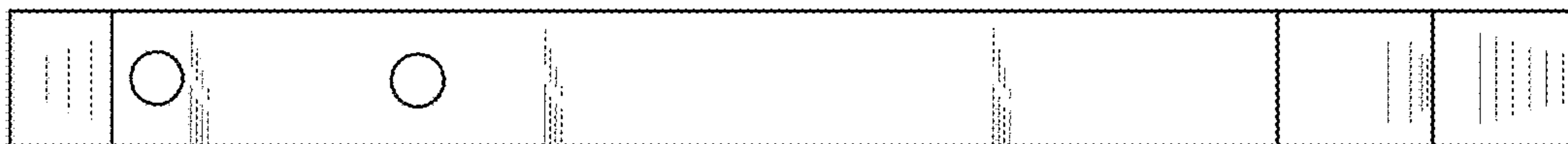


FIG. 2

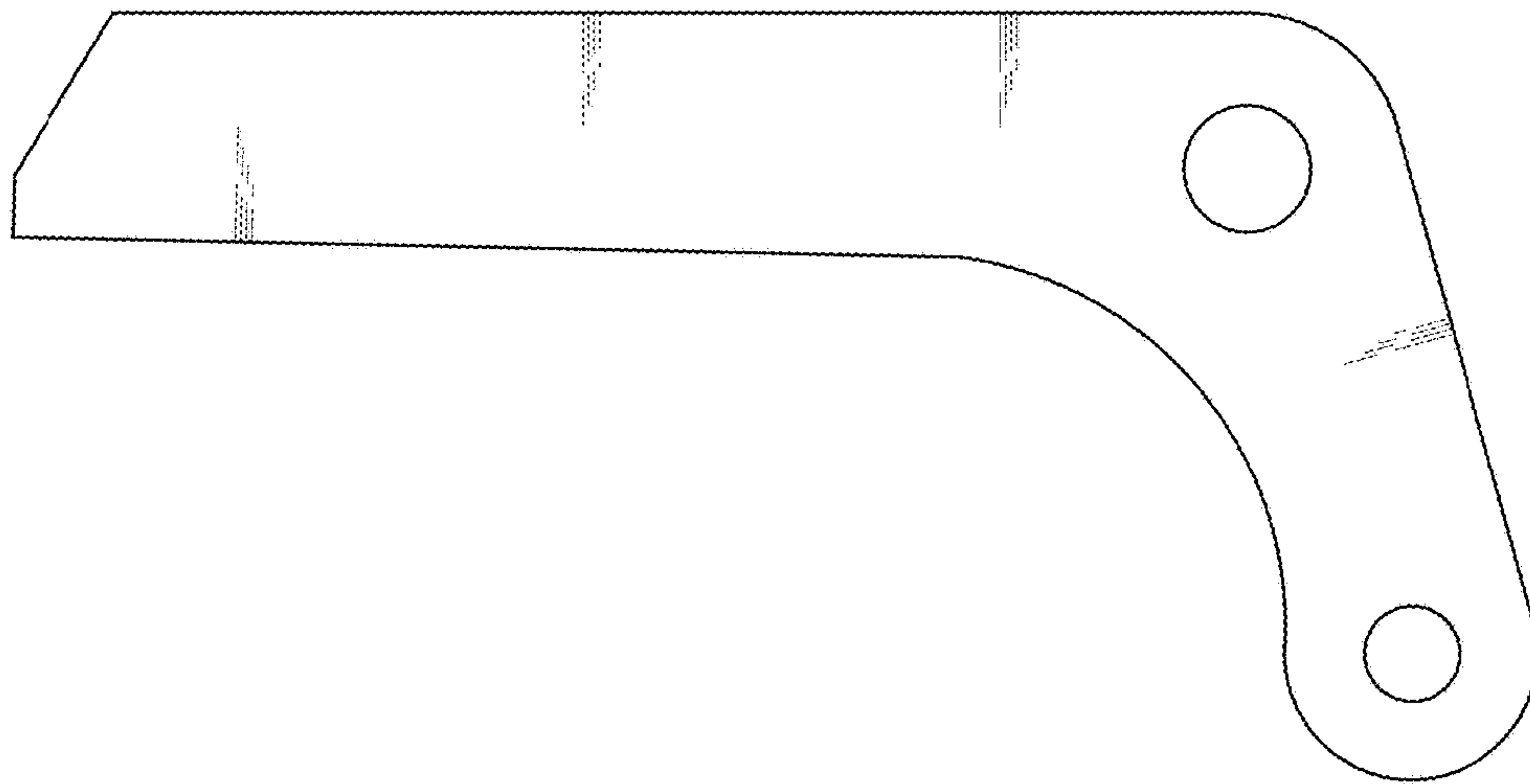


FIG. 3



FIG. 4

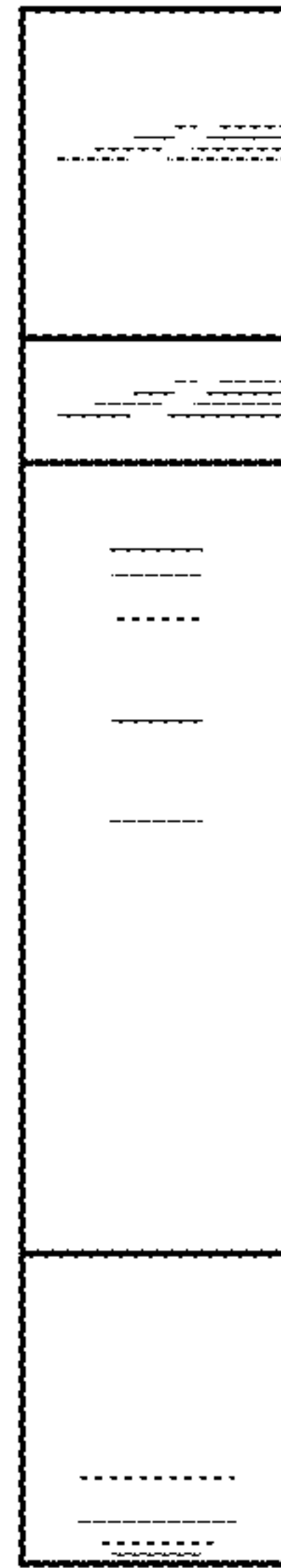


FIG. 5



FIG. 6