



US00D804548S

(12) **United States Design Patent**
Pezza

(10) **Patent No.:** **US D804,548 S**

(45) **Date of Patent:** **** Dec. 5, 2017**

(54) **SANDBLAST MACHINE**

(71) Applicant: **FRATELLI PEZZA S.R.L.**, Clusone (IT)

(72) Inventor: **Alessandro Pezza**, Bergamo (IT)

(73) Assignee: **FRATELLI PEZZA S.R.L.**, Clusone (IT)

(**) Term: **15 Years**

(21) Appl. No.: **35/500,989**

(22) Filed: **Mar. 29, 2016**

(80) **Hague Agreement Data**
 Int. Filing Date: **Mar. 29, 2016**
 Int. Reg. No.: **DM/090544**
 Int. Reg. Date: **Mar. 29, 2016**
 Int. Reg. Pub. Date: **May 20, 2016**

4,050,194 A * 9/1977 Rice B24B 27/02
144/253.8

4,395,850 A * 8/1983 Brown B24C 3/065
451/102

4,408,419 A * 10/1983 Appling B24C 3/06
105/153

D274,527 S * 7/1984 Huber, Jr. D15/126

4,970,050 A * 11/1990 Groll A61K 6/046
419/36

5,254,137 A * 10/1993 Mitani H01G 9/012
148/DIG. 138

5,370,835 A * 12/1994 Sturtz B23Q 39/042
156/304.6

5,512,005 A * 4/1996 Gulling B24C 1/04
451/100

5,947,800 A * 9/1999 Fring B24C 7/0046
451/101

6,817,930 B2 * 11/2004 Lin B01D 46/0005
451/88

7,249,766 B1 * 7/2007 Kennedy A63B 67/06
273/336

7,843,120 B2 * 11/2010 Watanabe G02F 1/133514
313/112

(Continued)

(51) **LOC (10) Cl.** **15-09**

(52) **U.S. Cl.**
 USPC **D15/123**
 CPC **A61C 8/00 (2013.01)**

(58) **Field of Classification Search**
 USPC D15/122, 124-126; 451/39, 99
 CPC A61C 8/00; B01F 3/04539; B05B 9/002;
 B24C 1/02; B24C 1/086; B24C 7/00;
 B24C 7/0046; B24C 9/006; Y10T
 137/86879

See application file for complete search history.

Primary Examiner — Richard E Chilcot
 (74) *Attorney, Agent, or Firm* — Thomas I Horstemeyer, LLP

(57) **CLAIM**
 The ornamental design for a sandblast machine, as shown and described.

DESCRIPTION

1.1 is a side view of a sandblast machine showing my new design;
1.2 is a side view thereof, from a side opposite that of view **1.2**;
1.3 is another side view thereof;
1.4 is a side view thereof, opposite that of view **1.3**;
1.5 is another side view thereof.
 The broken lines in views **1.1-1.5** are for the purpose of illustrating the environment of the sandblast machine and form no part of the claimed design.

1 Claim, 5 Drawing Sheets

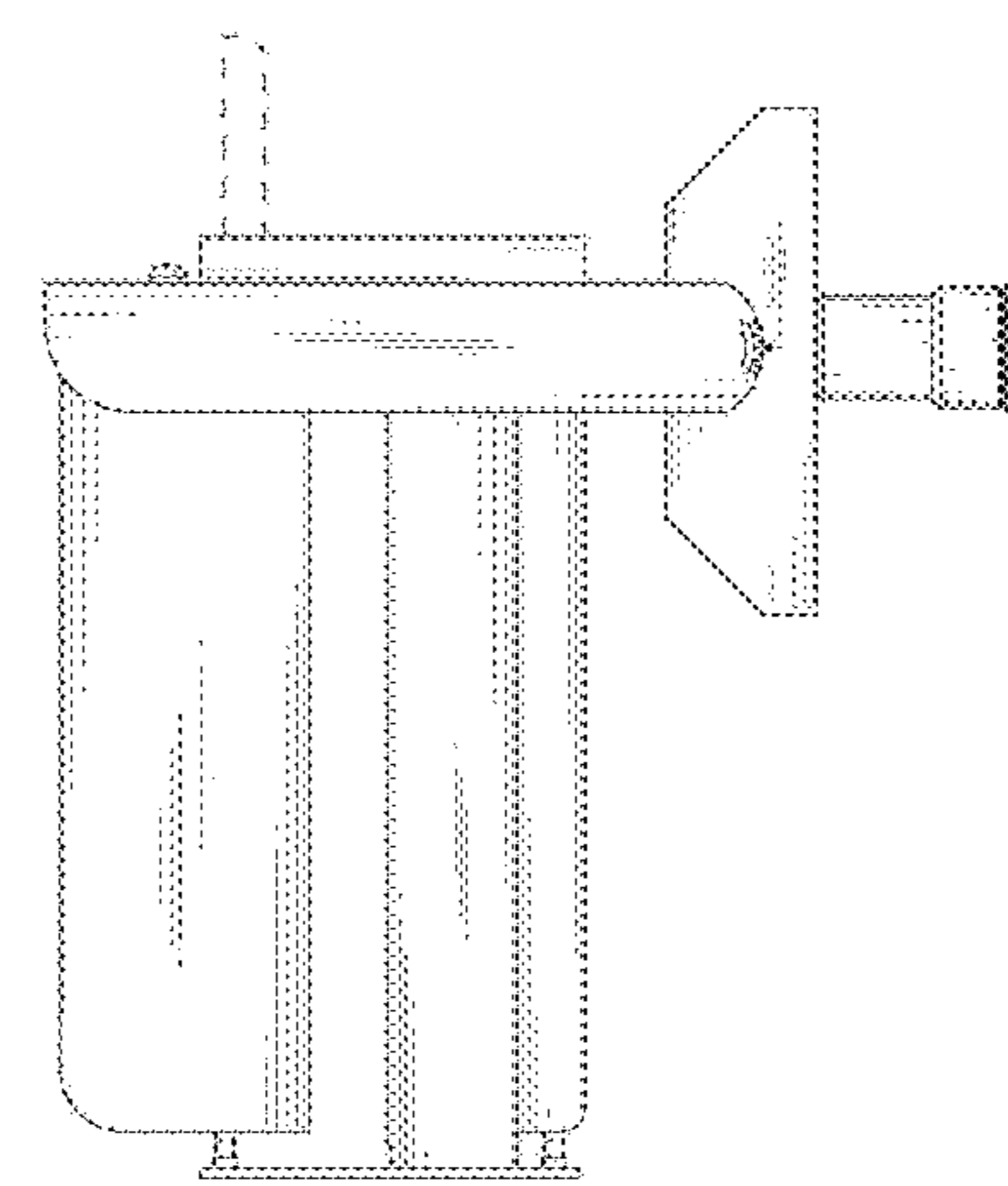
(56) **References Cited**
 U.S. PATENT DOCUMENTS

3,139,705 A * 7/1964 Histed B24C 7/0092
451/102

3,436,866 A * 4/1969 Nye B24C 3/062
451/29

3,768,210 A * 10/1973 Johnson B24C 7/0046
451/101

3,916,568 A * 11/1975 Rose B24C 3/065
451/101



(56)

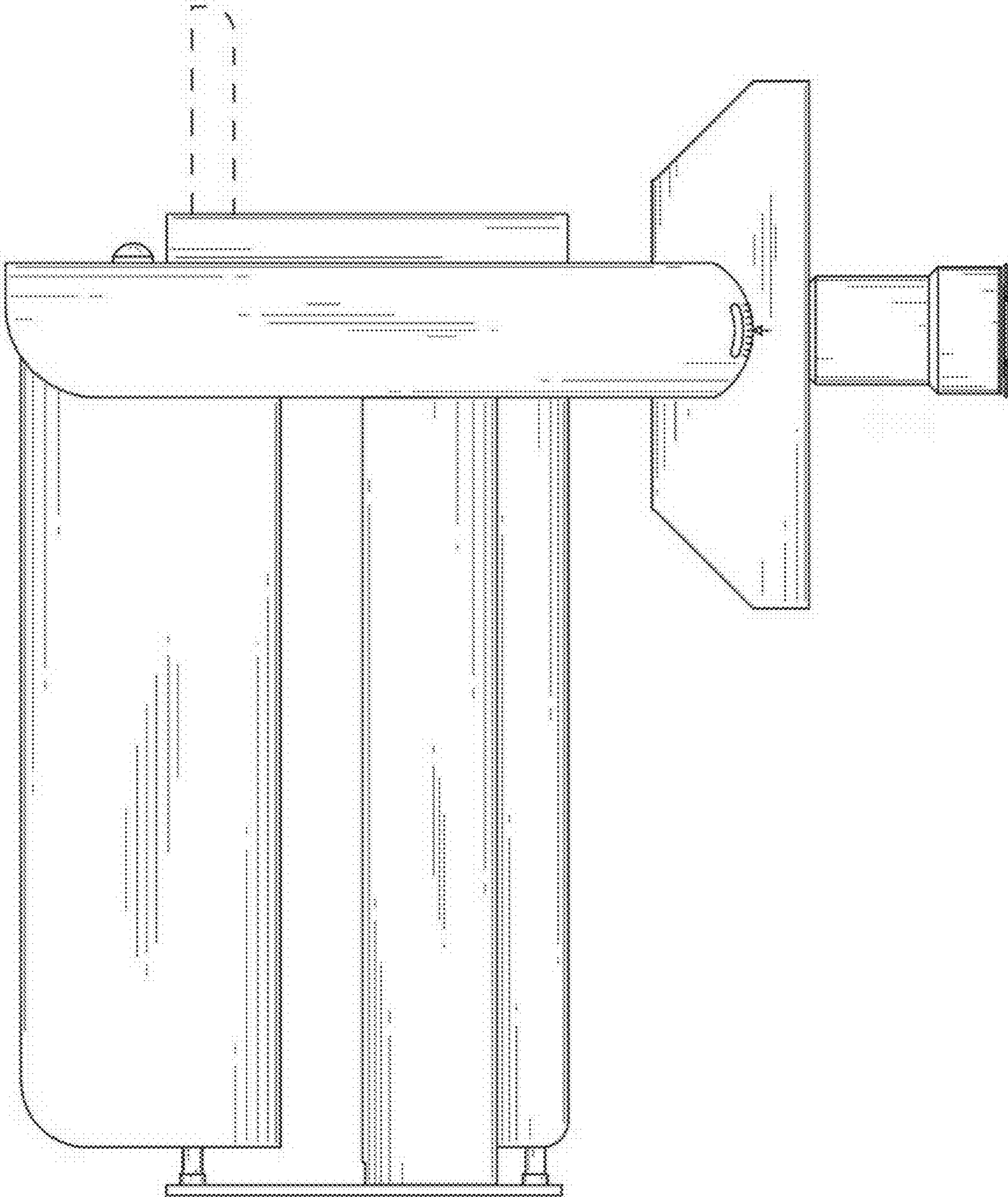
References Cited

U.S. PATENT DOCUMENTS

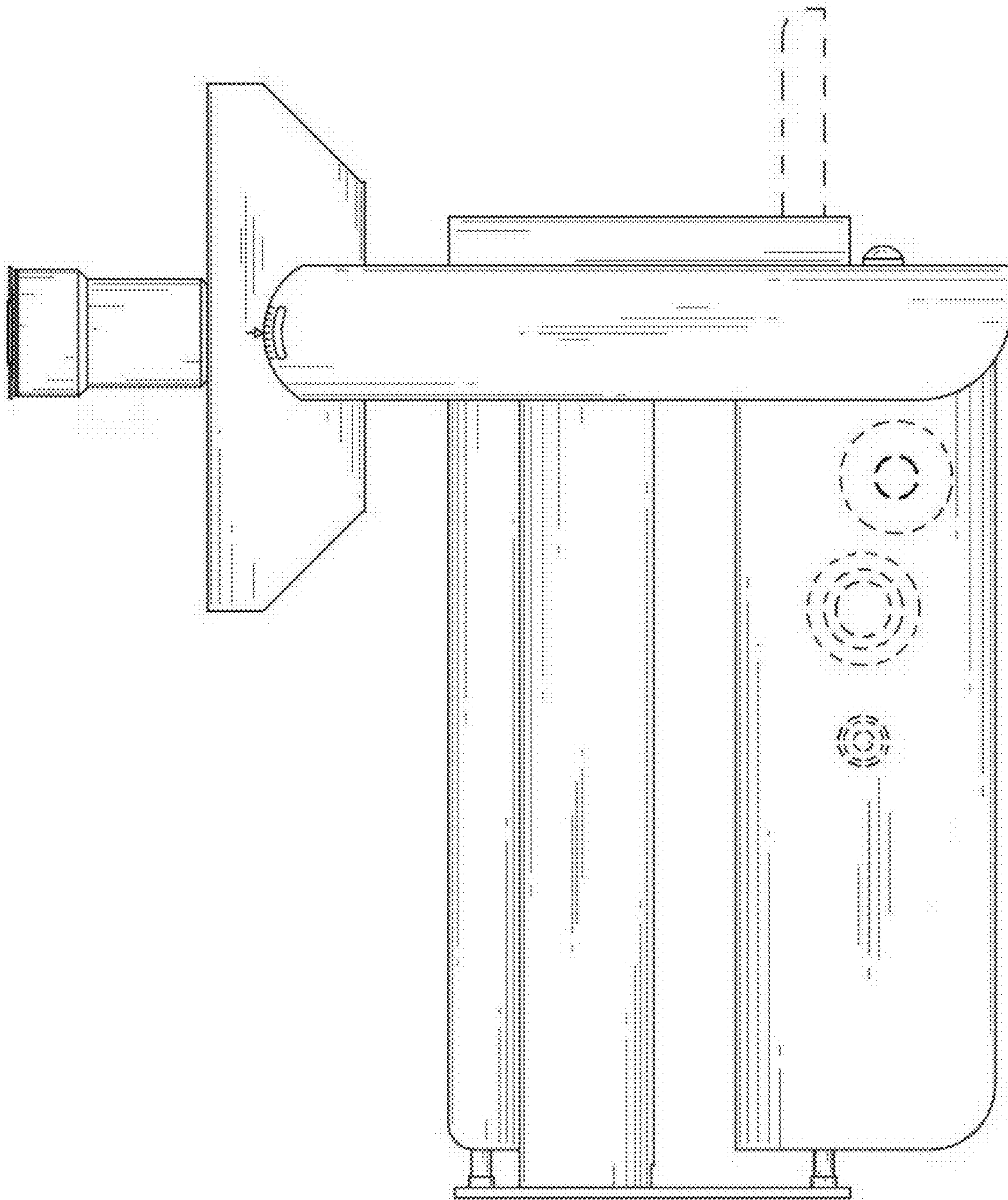
D640,295 S	*	6/2011	Pietrowski	D15/126
D640,296 S	*	6/2011	Pietrowski	D15/126
D747,375 S	*	1/2016	Nash	D15/124
D769,338 S	*	10/2016	Nash	D15/124
D773,542 S	*	12/2016	Nash	B24C 7/00
				D15/124

* cited by examiner

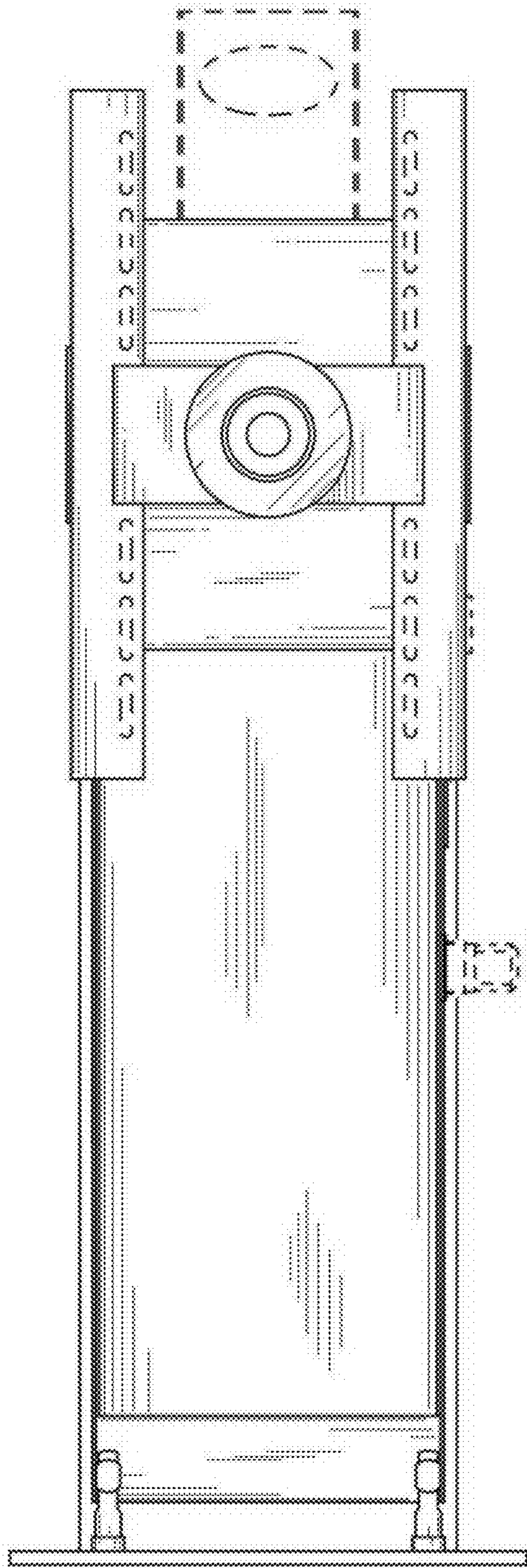
1.1



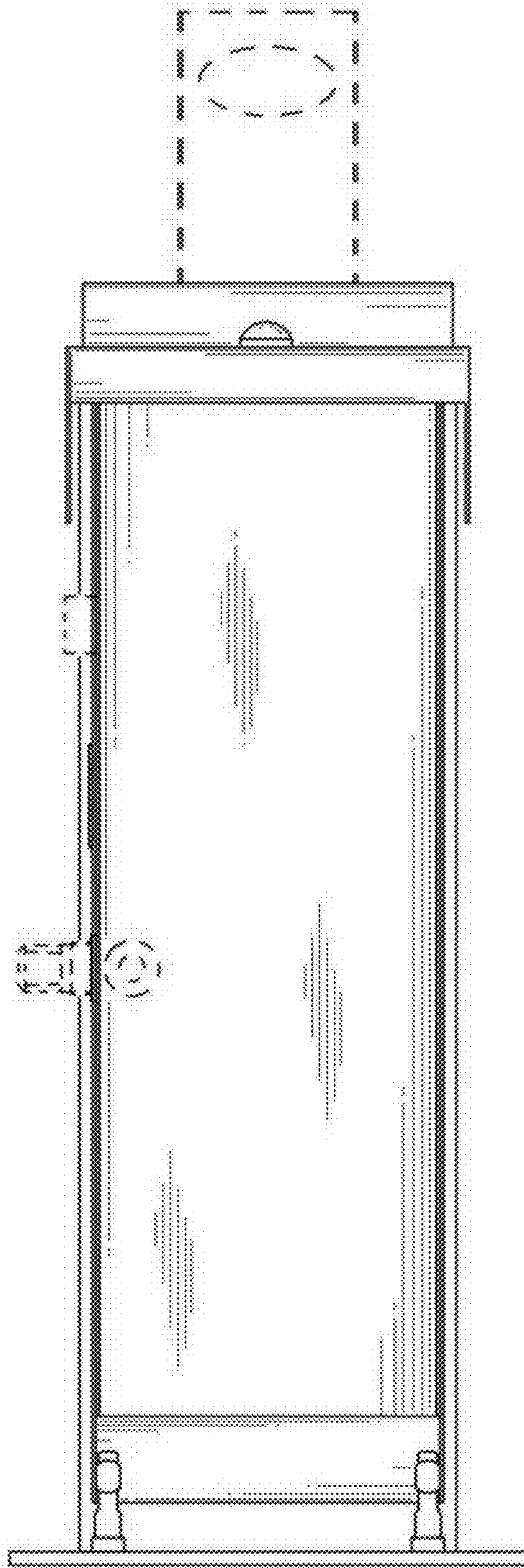
1.2



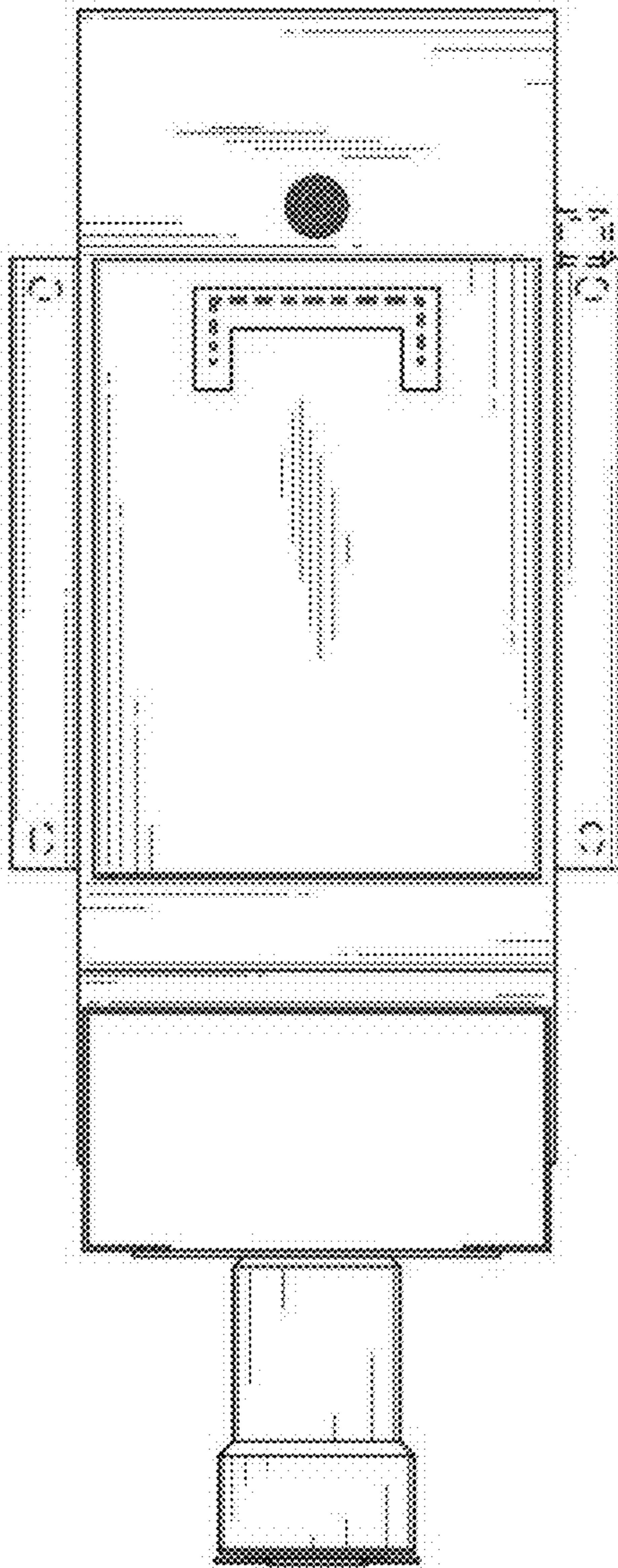
1.3



1.4



1.5



UNITED STATES PATENT AND TRADEMARK OFFICE
CERTIFICATE OF CORRECTION

PATENT NO. : D804,548 S
APPLICATION NO. : 35/500989
DATED : December 5, 2017
INVENTOR(S) : Alessandro Pezza

Page 1 of 1

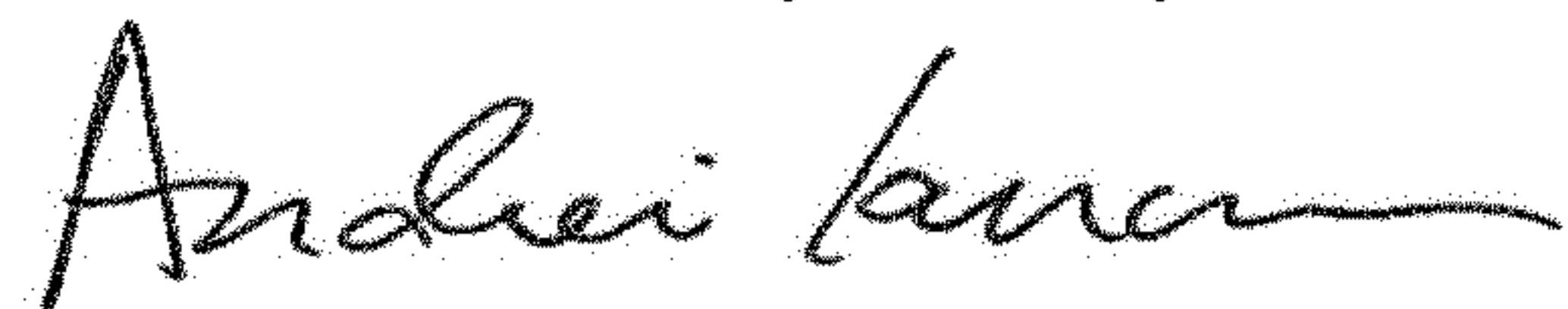
It is certified that error appears in the above-identified patent and that said Letters Patent is hereby corrected as shown below:

On the Title Page

Please insert after item (80), the following paragraph:

--(30) Foreign Application Priority Data
September 29, 2015 (IT) 402015000056127--

Signed and Sealed this
Fourteenth Day of May, 2019



Andrei Iancu
Director of the United States Patent and Trademark Office