

US00D804547S

(12) **United States Design Patent**  
**Richardson**

(10) **Patent No.:** **US D804,547 S**

(45) **Date of Patent:** **\*\* Dec. 5, 2017**

(54) **SILICONE ICE CUBE TRAY**

(71) Applicant: **Odis Richardson**, Columbia, SC (US)

(72) Inventor: **Odis Richardson**, Columbia, SC (US)

(\*\*) Term: **15 Years**

(21) Appl. No.: **29/583,410**

(22) Filed: **Nov. 4, 2016**

(51) **LOC (10) Cl.** ..... **15-07**

(52) **U.S. Cl.**  
USPC ..... **D15/90**

(58) **Field of Classification Search**

USPC ..... D15/90; D9/680; D1/106-115;  
D7/672-677

CPC ..... F25B 2600/112; F25B 21/02;  
F25B 2700/02; F25B 21/04; F25B  
2321/0251; F25B 25/005; F25B  
2321/021; F25B 2321/0212; F25B  
2321/025; F25B 2700/2107; F25B 27/00;  
F25B 41/043; F25B 5/02

See application file for complete search history.

(56) **References Cited**

**U.S. PATENT DOCUMENTS**

D107,317 S \* 12/1937 Murguiondo ..... 249/119  
2,514,942 A \* 7/1950 Eaton ..... F25C 1/24  
249/103

D263,398 S \* 3/1982 Tiller ..... D15/90  
D665,000 S \* 8/2012 Morelli ..... D15/90  
D706,316 S \* 6/2014 Hoyord ..... D15/90  
D759,735 S \* 6/2016 Tsai ..... D15/90  
D764,552 S \* 8/2016 Traub ..... D15/90  
D787,568 S \* 5/2017 Davies ..... D15/90

\* cited by examiner

*Primary Examiner* — Mitchell Siegel

*Assistant Examiner* — Khawaja Anwar

(74) *Attorney, Agent, or Firm* — Dunlap Bennett &  
Ludwig PLLC

(57) **CLAIM**

The ornamental design for a silicone ice cube tray, as shown and described.

**DESCRIPTION**

FIG. 1 is a perspective view silicone ice cube tray, showing my new design;

FIG. 2 is a right side elevation view of the invention; the left side elevation view being a mirror image thereof;

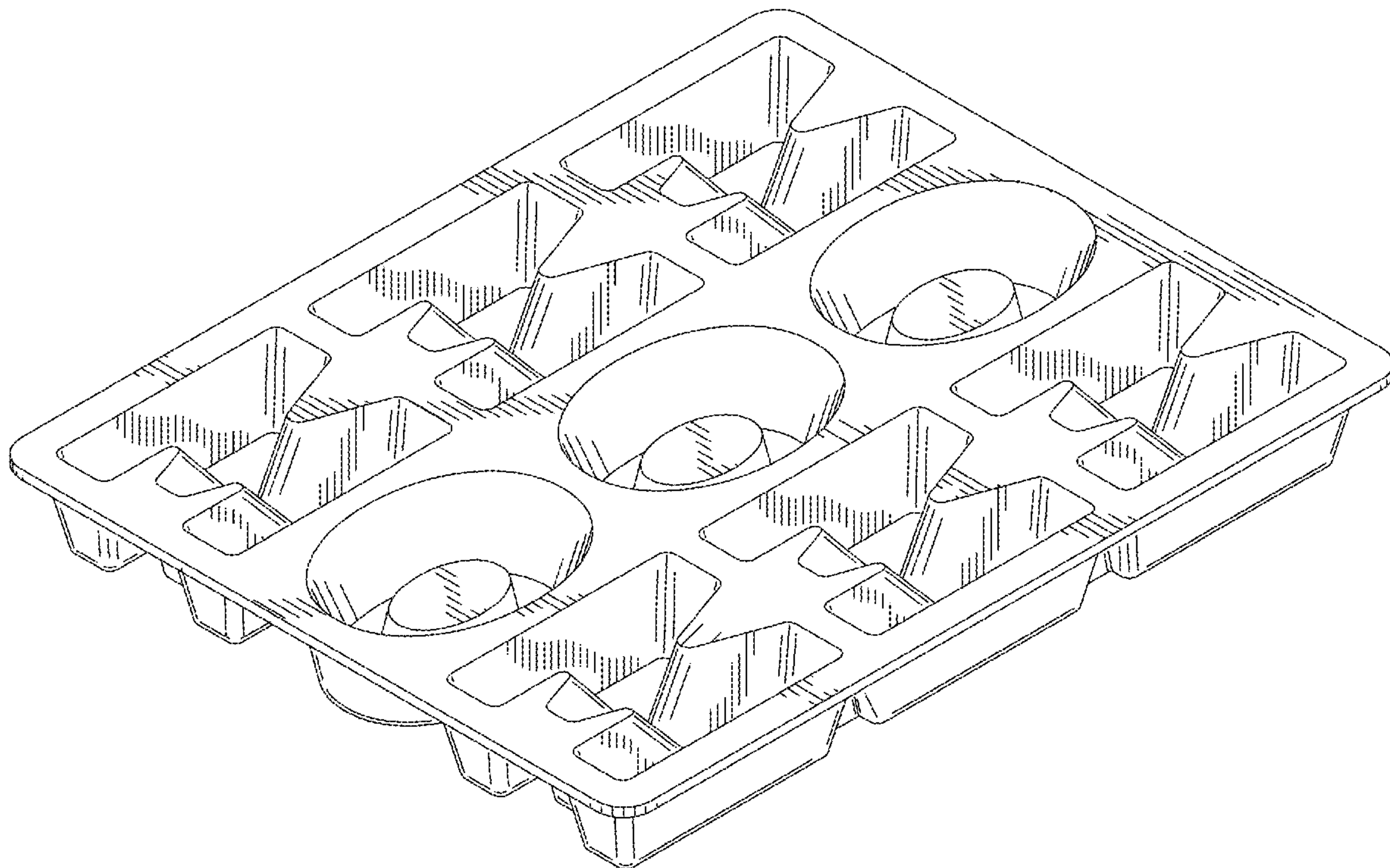
FIG. 3 is a top plan view thereof;

FIG. 4 is a bottom plan view thereof;

FIG. 5 is a front elevation view thereof; and,

FIG. 6 is a rear elevation view thereof.

**1 Claim, 4 Drawing Sheets**



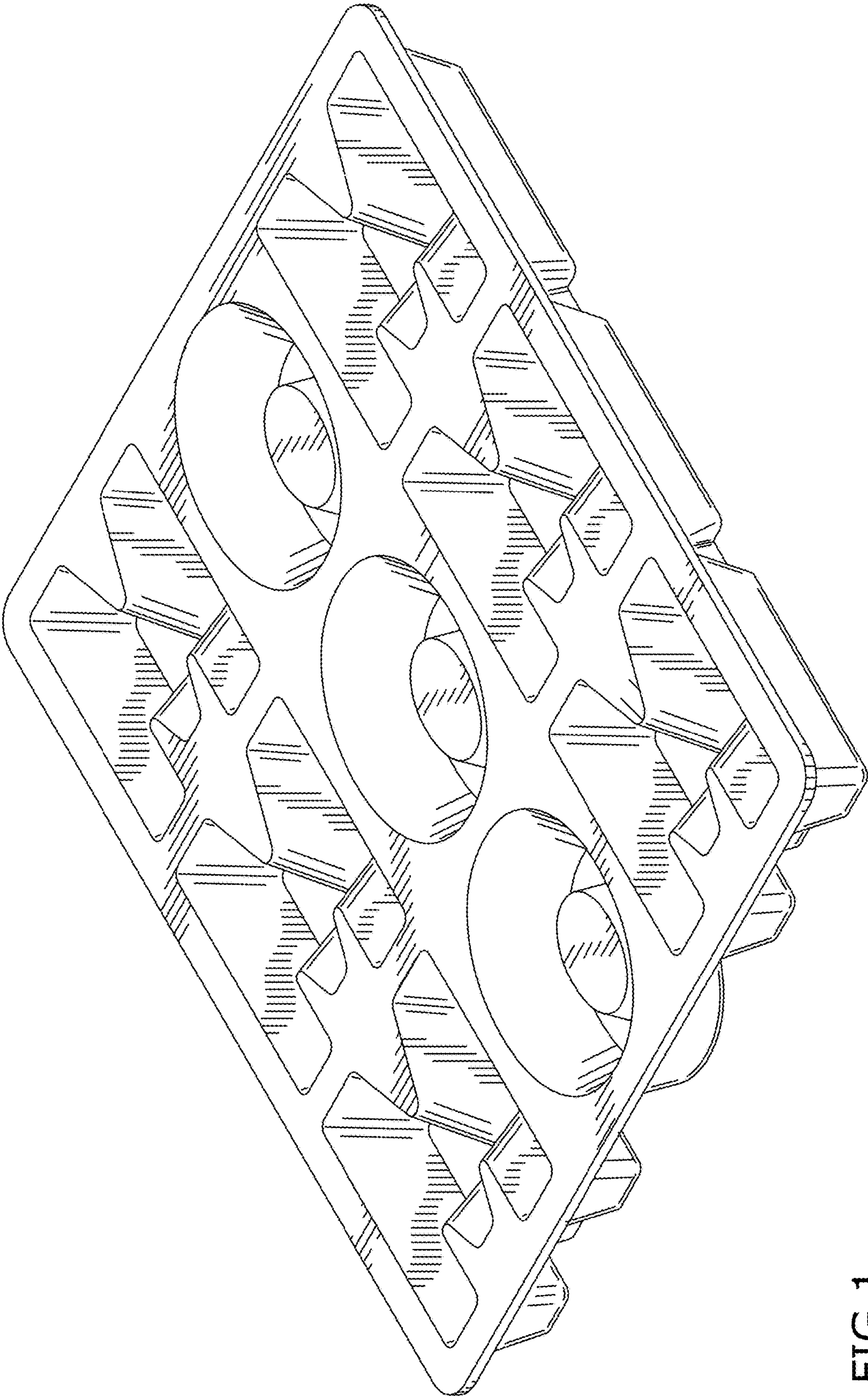


FIG. 1





FIG. 2

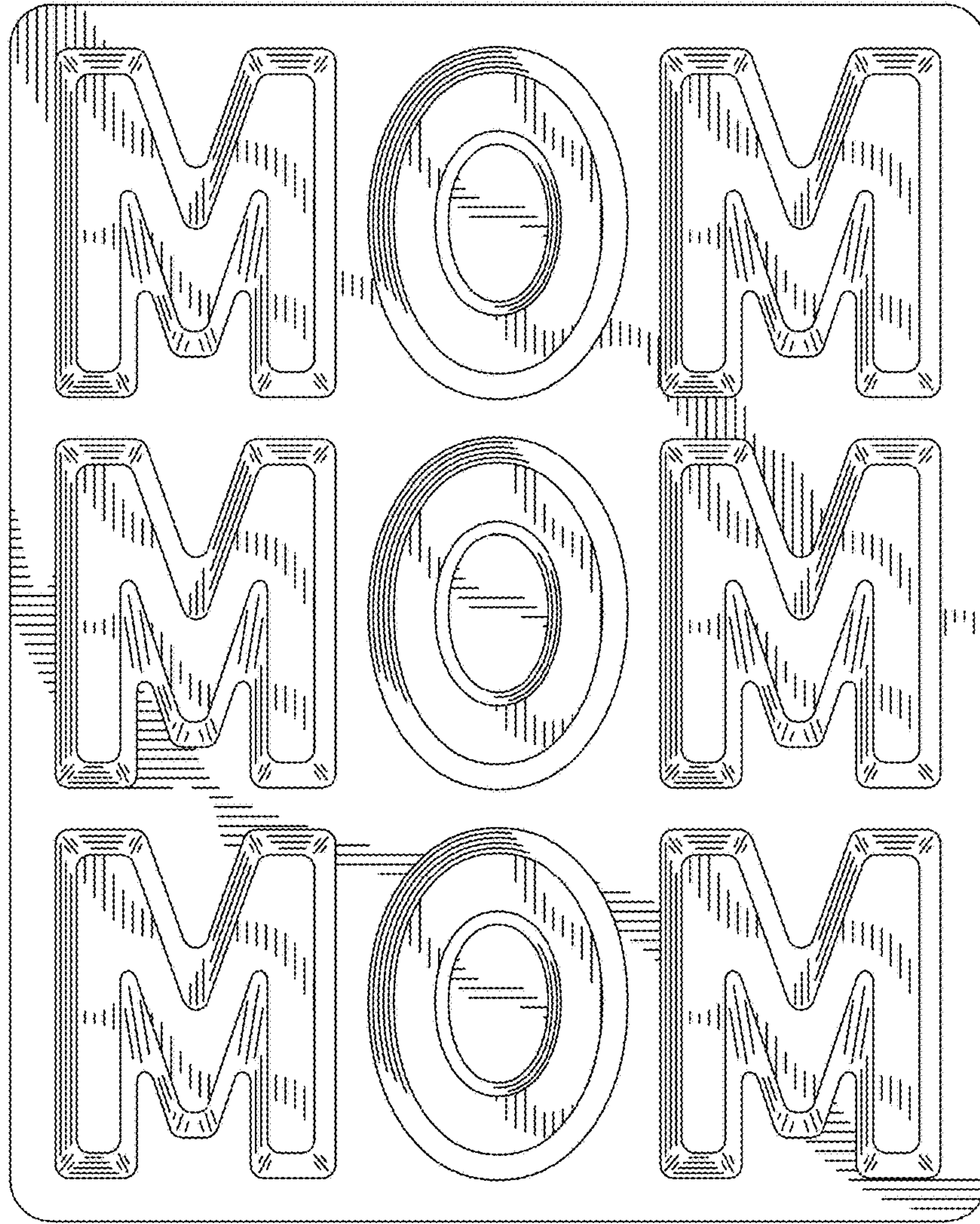


FIG. 3

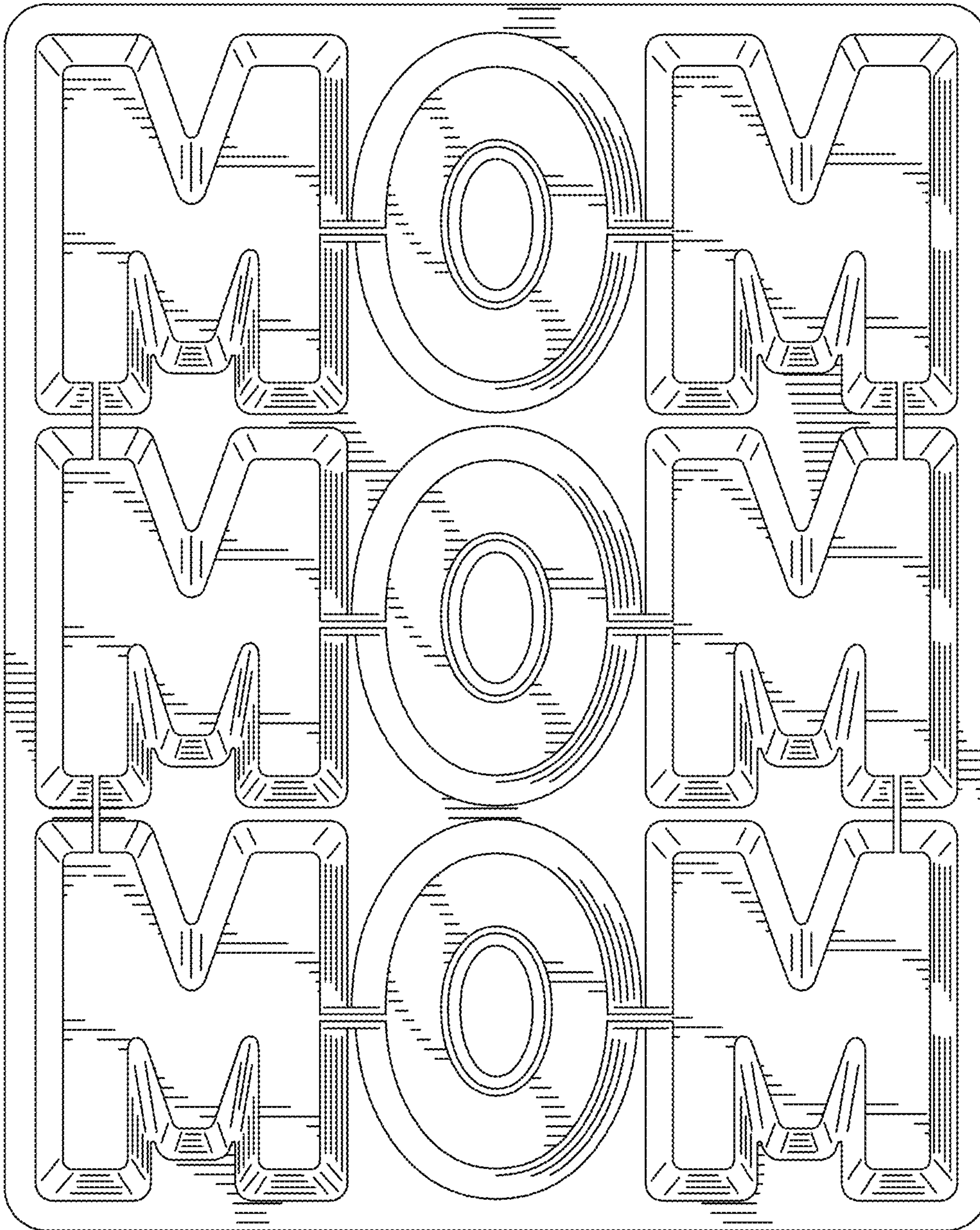


FIG.4

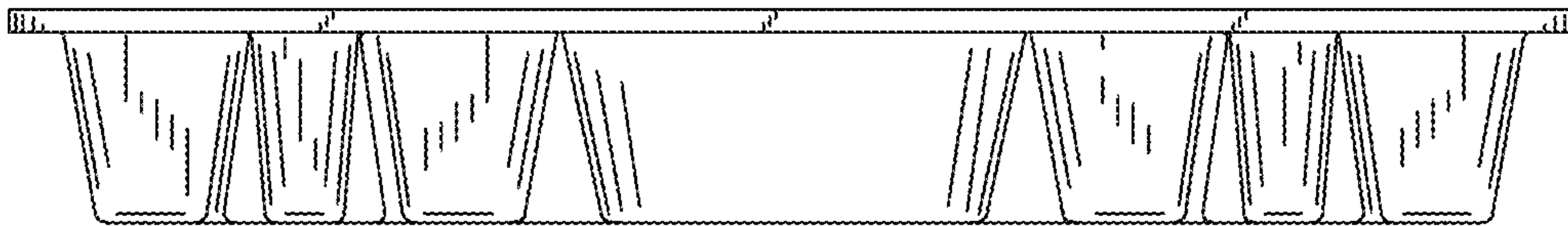


FIG. 5

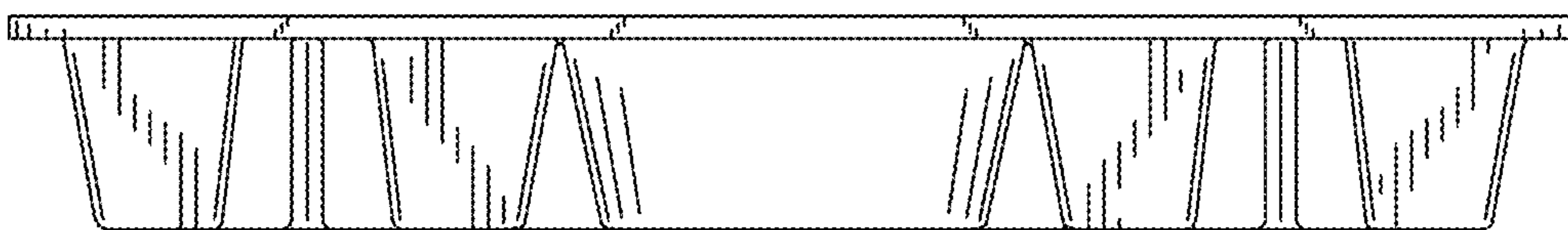


FIG. 6