



US00D804543S

(12) **United States Design Patent** (10) **Patent No.:** **US D804,543 S**  
**Carvajal et al.** (45) **Date of Patent:** **\*\* Dec. 5, 2017**

(54) **FREEZER PACK**

17/02; F25D 2317/043; F25D 23/003;  
F25D 23/065; F25D 2700/123; F25D  
2317/061; F25D 23/069; F25D 23/087;  
F25D 11/006; F25D 11/027

(71) Applicant: **Lifoam Industries, LLC**, Hunt Valley,  
MD (US)

See application file for complete search history.

(72) Inventors: **Roberto Carvajal**, Indianapolis, IN  
(US); **Aaron Jones**, Indianapolis, IN  
(US); **Michael Flanagan**, Fishers, IN  
(US)

(56) **References Cited**

U.S. PATENT DOCUMENTS

(73) Assignee: **Lifoam Industries, LLC**, Boca Raton,  
FL (US)

D537,851 S *	3/2007	Mount .....	D15/90
D711,439 S *	8/2014	Garg .....	D15/90
D711,945 S *	8/2014	Garg .....	D15/90
D712,442 S *	9/2014	Garg .....	D15/90
D741,920 S *	10/2015	Seiders .....	D15/90
D746,343 S *	12/2015	Mount .....	D15/90

(\*\*) Term: **15 Years**

\* cited by examiner

(21) Appl. No.: **29/569,585**

(22) Filed: **Jun. 29, 2016**

*Primary Examiner* — Ian Simmons

(51) **LOC (10) Cl.** ..... **15-07**

*Assistant Examiner* — Khawaja Anwar

(52) **U.S. Cl.**  
USPC ..... **D15/90**

(74) *Attorney, Agent, or Firm* — Eversheds Sutherland  
(US) LLP

(58) **Field of Classification Search**  
USPC ..... D15/79-91

(57) **CLAIM**

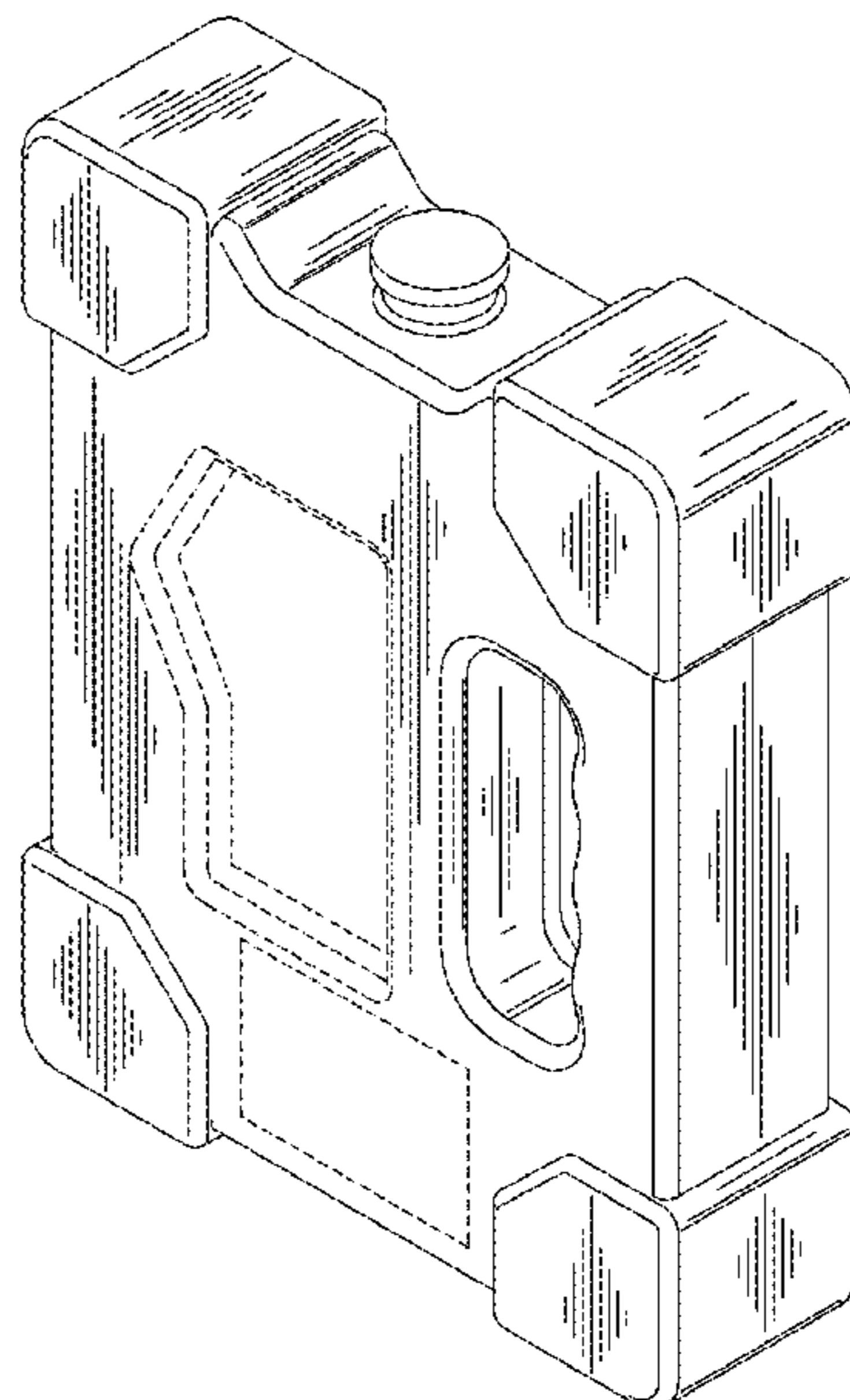
The ornamental design for the freezer pack, as shown and described.

CPC .... F25D 27/00; F25D 2323/021; F25D 23/00;  
F25D 23/02; F25D 2400/361; F25D  
2500/06; F25D 25/025; F25D 29/00;  
F25D 29/005; F25D 11/00; F25D 11/02;  
F25D 17/062; F25D 17/067; F25D 17/08;  
F25D 21/04; F25D 2201/10; F25D  
2325/021; F25D 23/028; F25D 23/04;  
F25D 23/062; F25D 23/067; F25D 23/12;  
F25D 2400/02; F25D 2400/40; F25D  
25/02; F25D 25/024; F25D 2600/00;  
F25D 2700/00; F25D 2700/02; F25D  
2700/06; F25D 2700/08; F25D 2700/16;  
F25D 23/021; F25D 11/022; F25D  
17/065; F25D 11/025; F25D 17/042;  
F25D 23/10; F25D 25/04; F25D 15/00;  
F25D 17/045; F25D 2400/36; F25D

**DESCRIPTION**

FIG. 1 is a top left front perspective view of the freezer pack;  
FIG. 2 is a front view thereof;  
FIG. 3 is a left side view thereof;  
FIG. 4 is a rear view thereof;  
FIG. 5 is a right side view thereof;  
FIG. 6 is a top plan view thereof; and,  
FIG. 7 is a bottom plan view thereof.  
The broken lines shown in the drawings represent unclaimed  
portions of the freezer pack and form no parts of the claimed  
design.

**1 Claim, 6 Drawing Sheets**



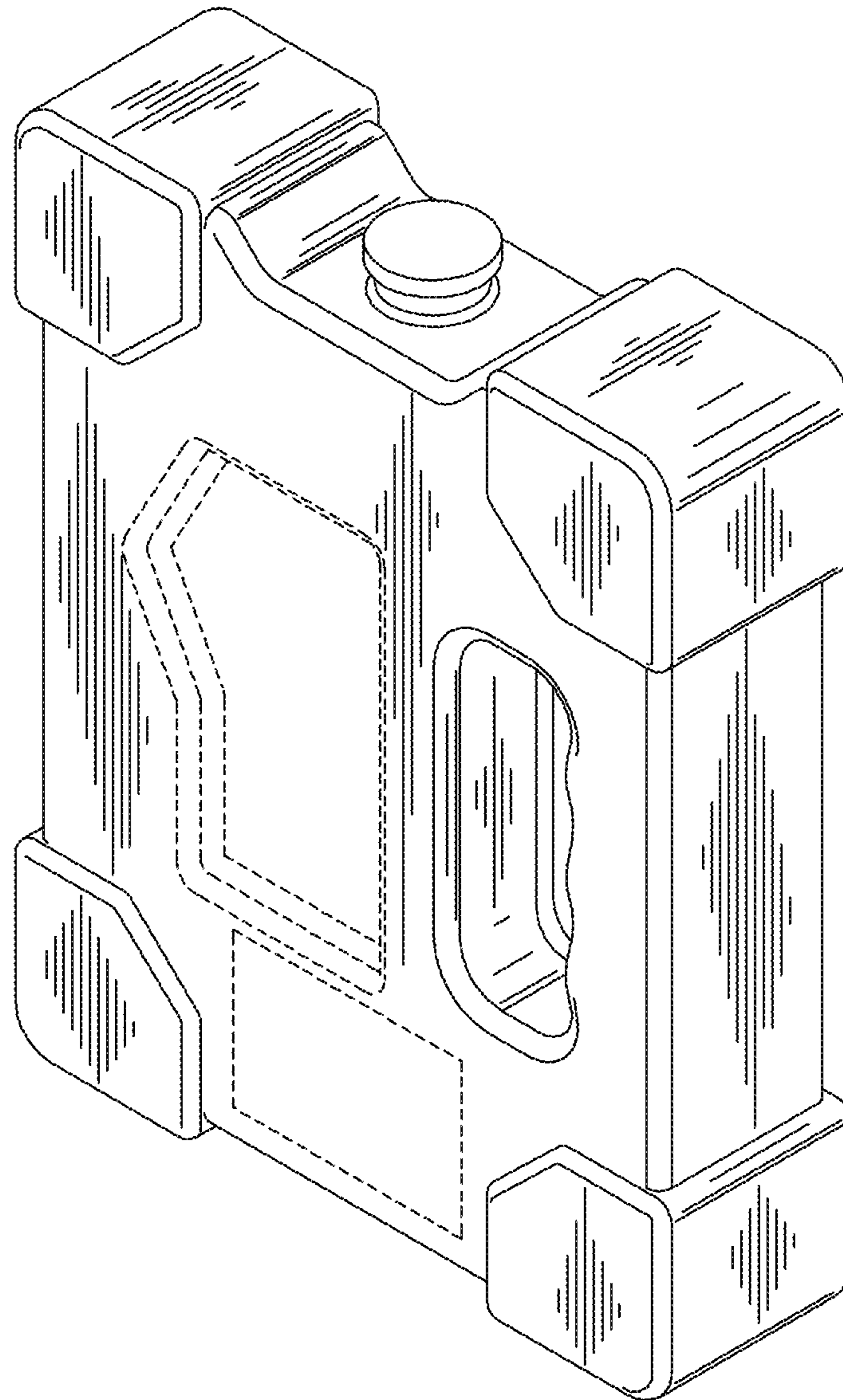


FIG 1

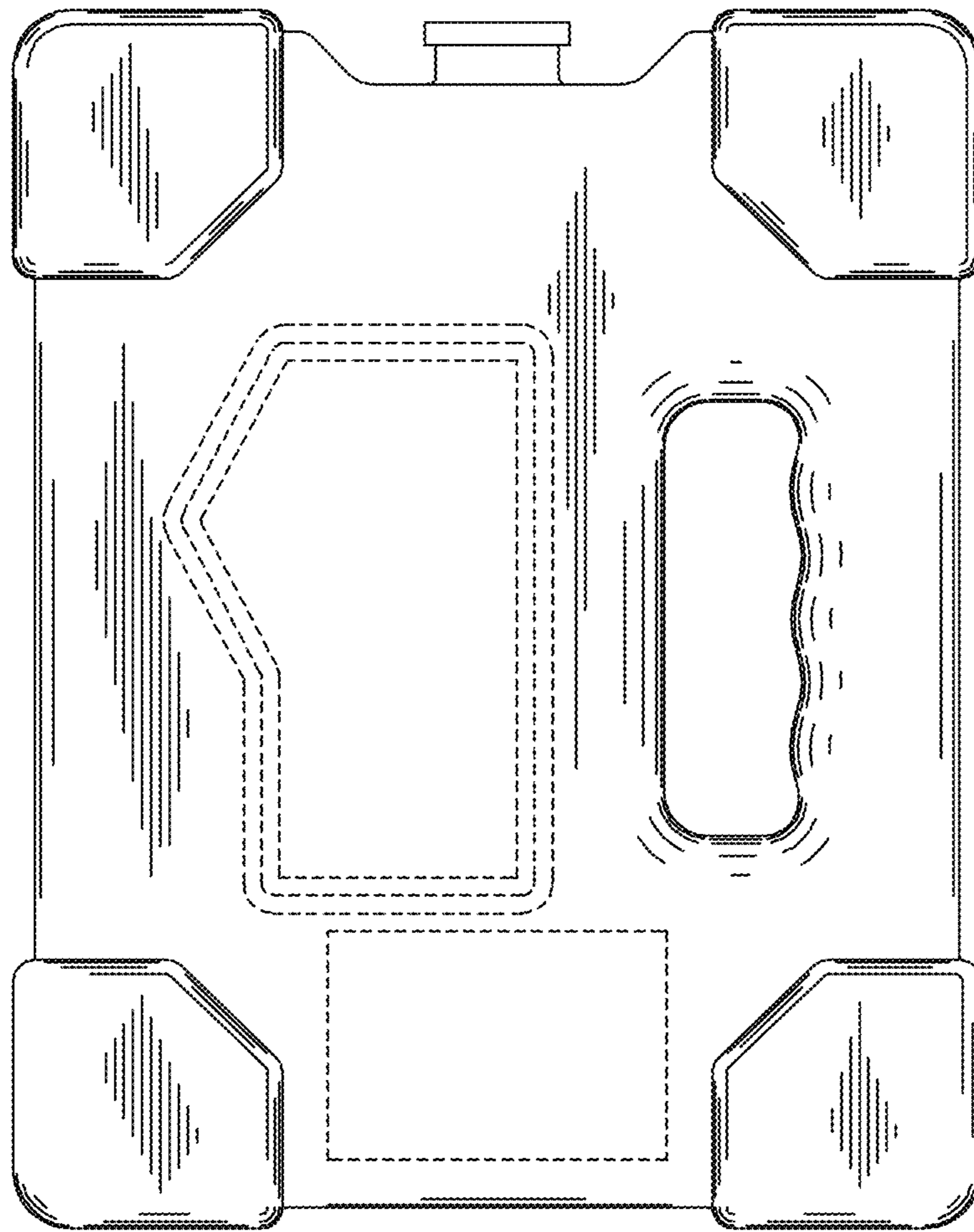


FIG 2

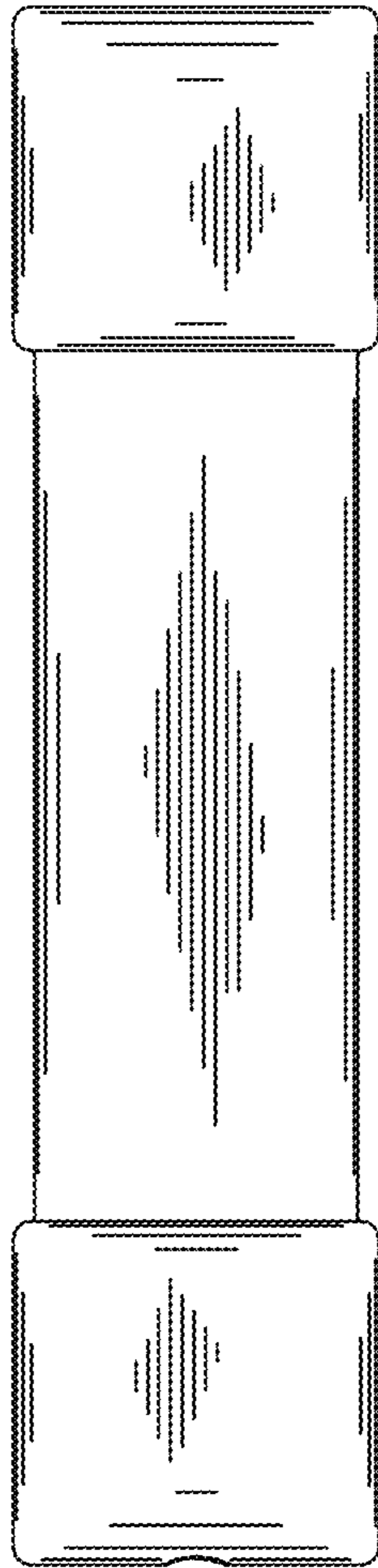


FIG 3

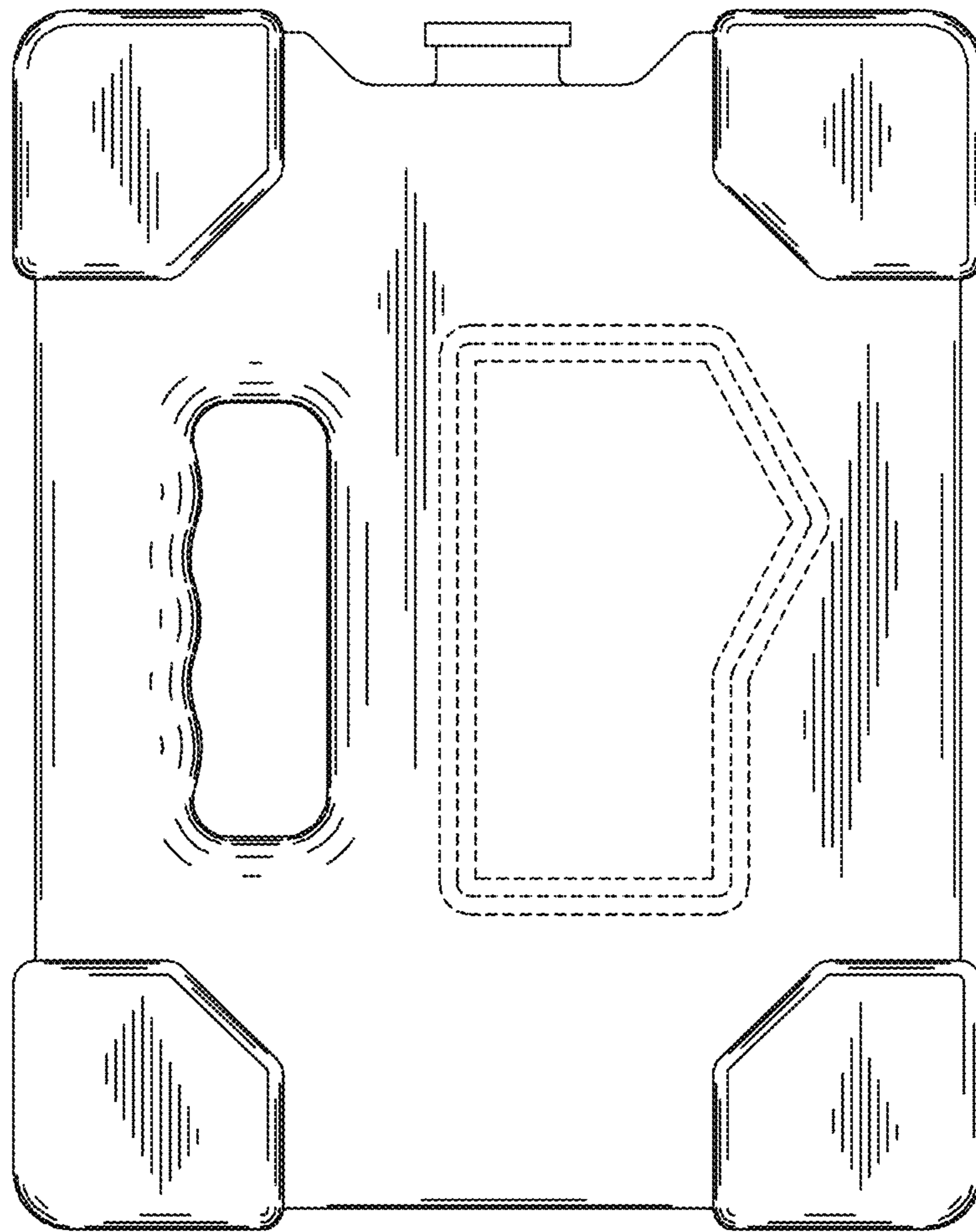


FIG 4

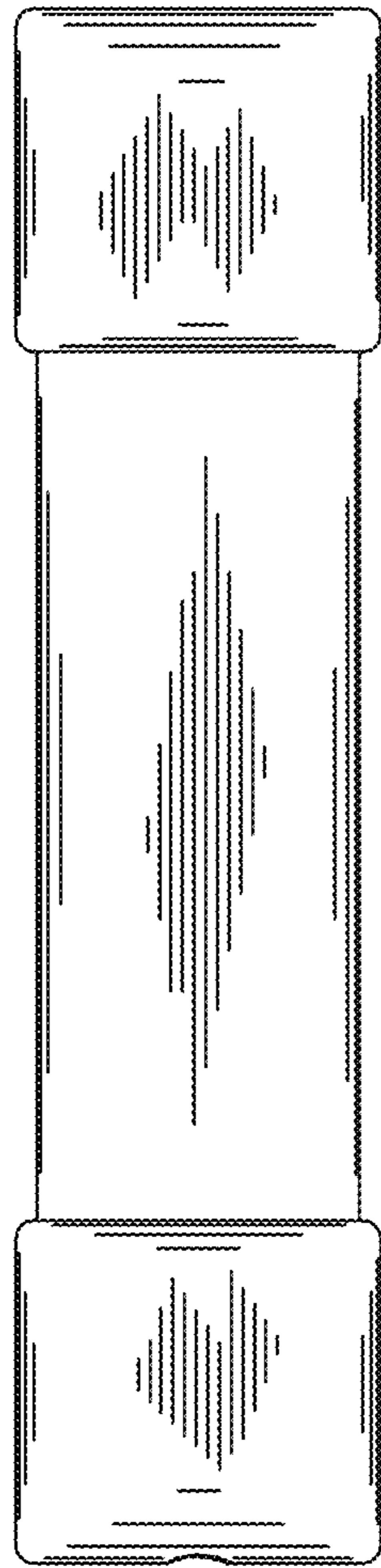


FIG 5

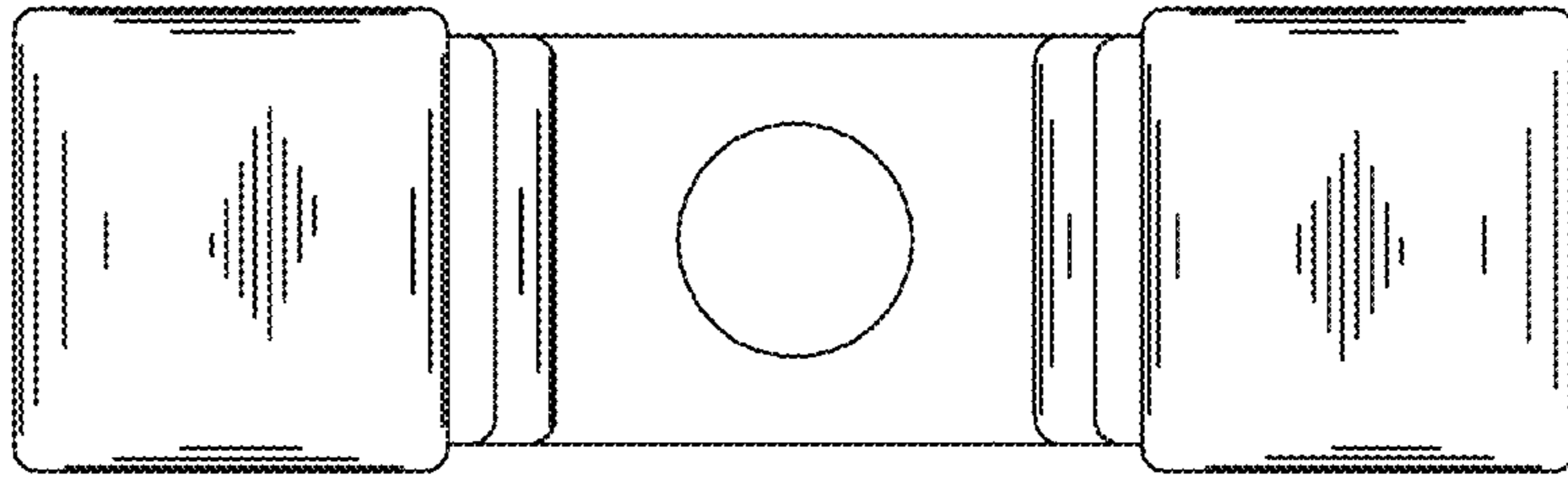


FIG 6

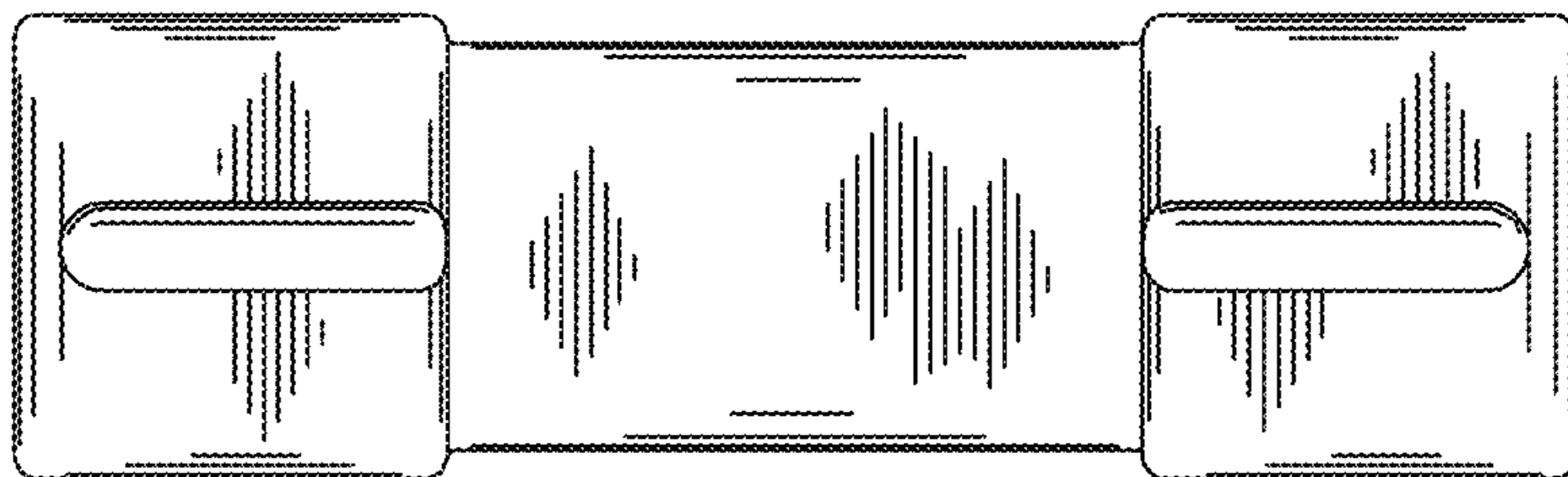


FIG 7