



US00D804542S

(12) **United States Design Patent** (10) **Patent No.:** **US D804,542 S**  
**Davison, III et al.** (45) **Date of Patent:** **\*\* Dec. 5, 2017**

(54) **ICE SHAPING DEVICE**  
(71) Applicant: **Jokari/US, Inc.**, Carrollton, TX (US)  
(72) Inventors: **George McConnell Davison, III**,  
Pittsburgh, PA (US); **Peter Arthur Meier**,  
Pittsburgh, PA (US); **Timothy Adam Craig**,  
Pittsburgh, PA (US); **John M. Margolis**,  
Glenshaw, PA (US); **Donald H. Saller**,  
McKinney, TX (US)

(\*\*) Term: **15 Years**

(21) Appl. No.: **29/549,076**

(22) Filed: **Dec. 18, 2015**

(51) **LOC (10) Cl.** ..... **15-07**

(52) **U.S. Cl.**  
USPC ..... **D15/90**

(58) **Field of Classification Search**  
USPC ..... D15/79, 80, 82, 89, 90; D9/432, 766,  
D9/770; D7/550.1, 552.2, 553.1, 553.2,  
D7/553.3, 555, 566, 587, 603; D3/304,  
D3/307, 313

CPC ..... F25B 21/02; F25B 2321/02; F25B 1/005;  
F25B 2321/0252; F25B 1/00; F25B 1/10;  
F25B 21/04; F25B 2339/047; F25B 5/02;  
F25B 7/00; F25B 13/00; F25B 1/053;  
F25B 2309/06; F25B 2321/021; F25B  
2321/023; F25D 23/028; F25D 23/02;  
F25D 25/025; F25D 23/00; F25D  
2323/021; F25D 11/00; F25D 2323/024;  
F25D 23/04; F25D 29/00; F25D 25/02;  
F25D 25/024; F25D 27/005; F25D 23/12;  
F25D 29/005; F25D 17/042; F25D  
2325/021

See application file for complete search history.

(56) **References Cited**

U.S. PATENT DOCUMENTS

D20,487 S \* 1/1891 McBride ..... D7/555  
3,075,364 A \* 1/1963 Kniffin ..... F25C 1/24  
62/353

D200,558 S \* 3/1965 Davis ..... D15/90  
3,214,128 A \* 10/1965 Beck ..... F25C 1/243  
249/127  
D209,607 S \* 12/1967 Lloyd ..... D19/103  
4,311,022 A \* 1/1982 Hall ..... A45C 11/20  
62/372  
D378,178 S \* 2/1997 Sawyer ..... D7/359  
D451,676 S \* 12/2001 Dembicks ..... D3/313  
D495,721 S \* 9/2004 Glassgold ..... D15/90  
D496,057 S \* 9/2004 Glassgold ..... D15/90  
D616,250 S \* 5/2010 Peyton ..... D7/553.3  
D654,517 S \* 2/2012 Merritt ..... D15/90  
D665,628 S \* 8/2012 Mayer ..... D7/553.2

**OTHER PUBLICATIONS**

<http://www.licensemag.com/license-global/jlg-adds-new-pepsi-li-censee>—Published Nov. 30, 2015.\*

(Continued)

*Primary Examiner* — Ian Simmons  
*Assistant Examiner* — Mojtaba Tehrani  
(74) *Attorney, Agent, or Firm* — David M. DeMay

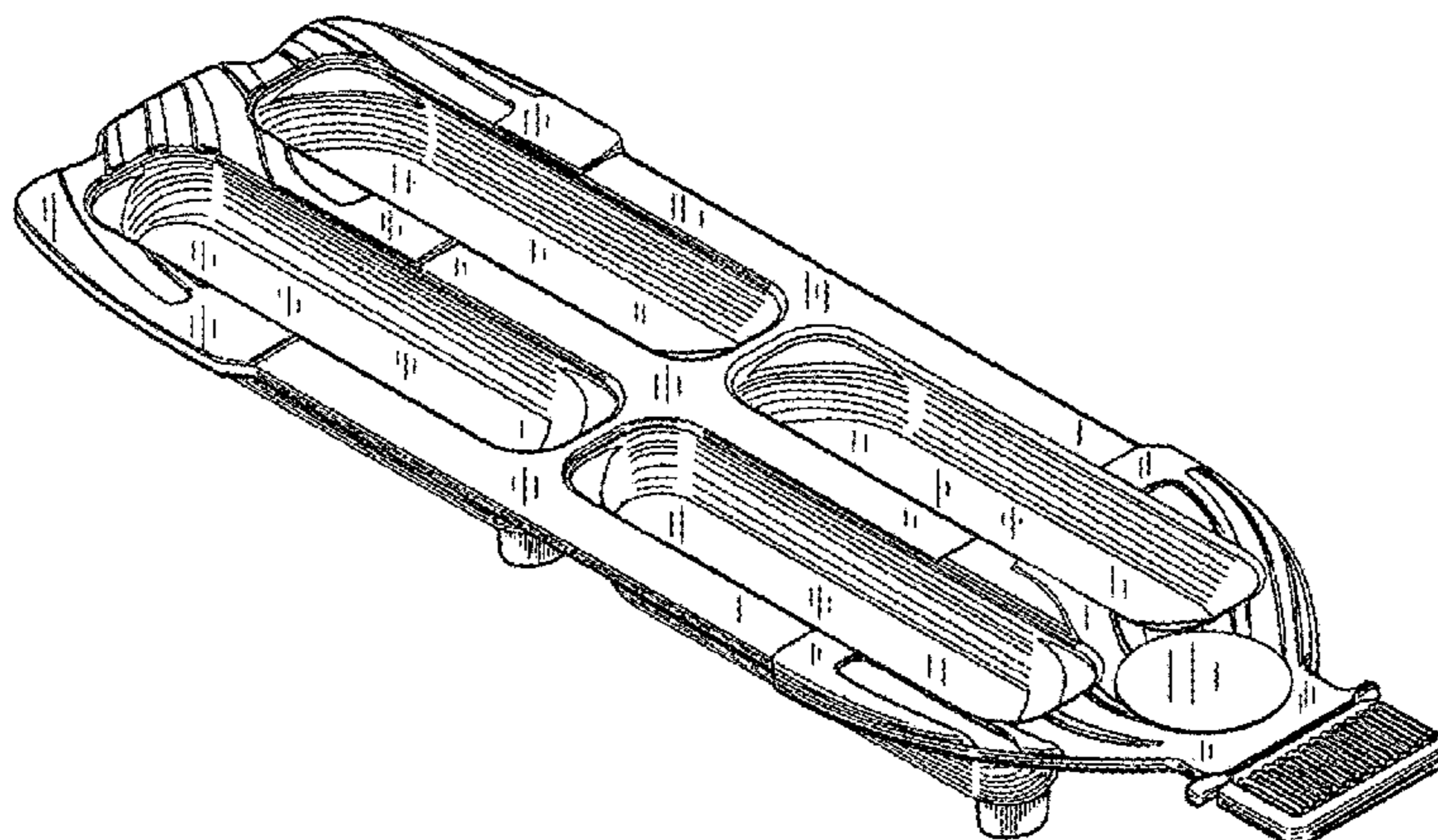
(57) **CLAIM**

We claim the ornamental design for an ice shaping device, as shown and described.

**DESCRIPTION**

FIG. 1 is a perspective view of the ice shaping device showing the new design; FIG. 2 is a top plan view thereof; and, FIG. 3 is a right side elevation view thereof. Portions of the drawing shown in broken lines form no part of the claimed design. The left side is a mirrored image of the right side and is not illustrated.

**1 Claim, 3 Drawing Sheets**



(56)

**References Cited**

OTHER PUBLICATIONS

<https://www.amazon.com/Jokari-18100P1-Count-Modern-Bottle/dp/B01F6T6L66>—Available as early as May 4, 2016.\*

<http://jokari.com/collections/mountain-dew/products/bottle-ice-tray-2-pk-mountain-dew>—Retrieved Nov. 7, 2016.\*

Dripless Ice Stick Trays, [www.bedbathandbeyond.com/store/product/icy-bottle-sticks-trays-set-of-2](http://www.bedbathandbeyond.com/store/product/icy-bottle-sticks-trays-set-of-2).

WalterDrake Narrow Ice Tube Tray, [www.walmart.com/ip/WalterDrake-White-Water-Bottle-Ice-Cube-Trays-Set-of-2](http://www.walmart.com/ip/WalterDrake-White-Water-Bottle-Ice-Cube-Trays-Set-of-2).

\* cited by examiner

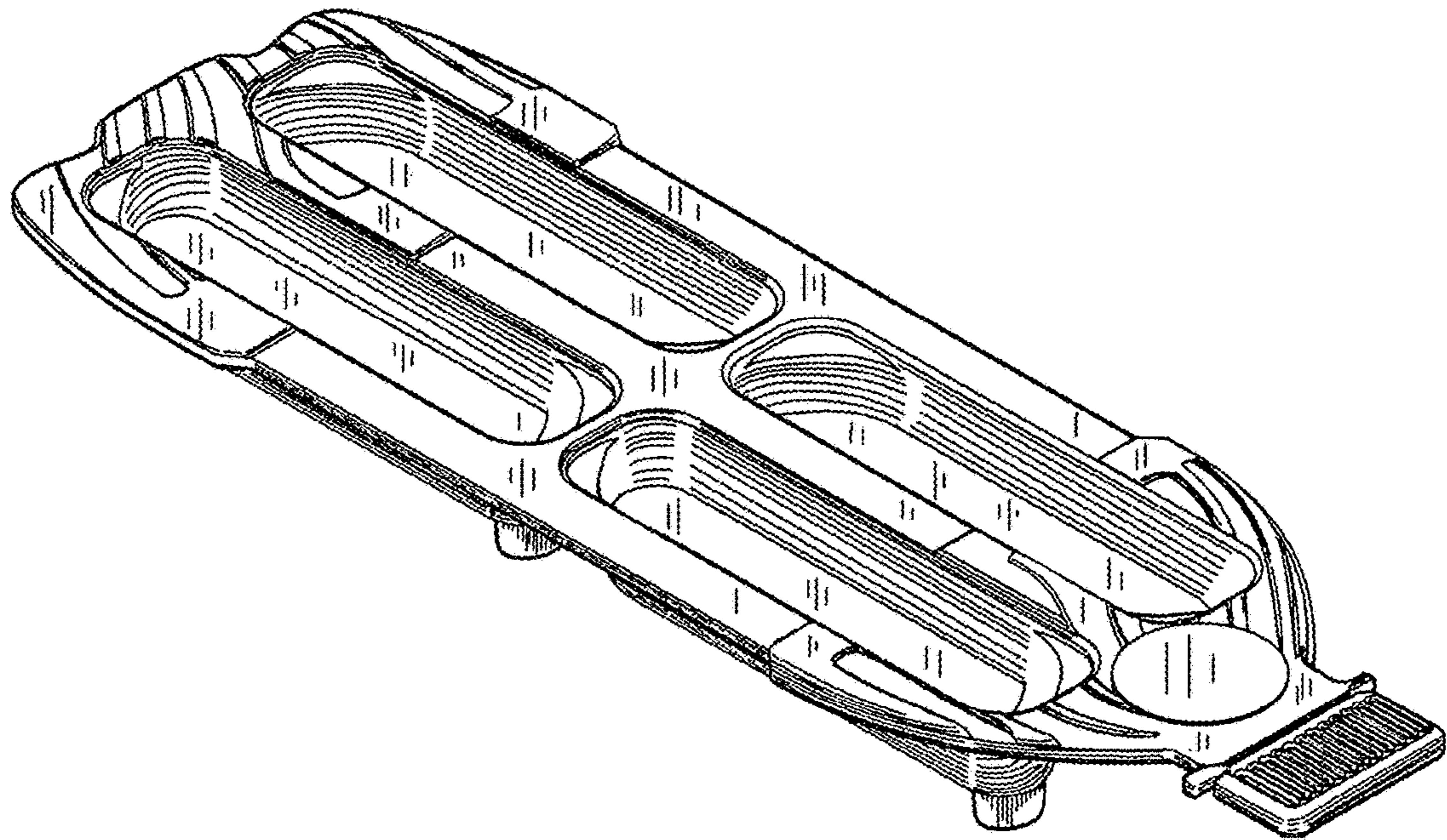


Figure 1

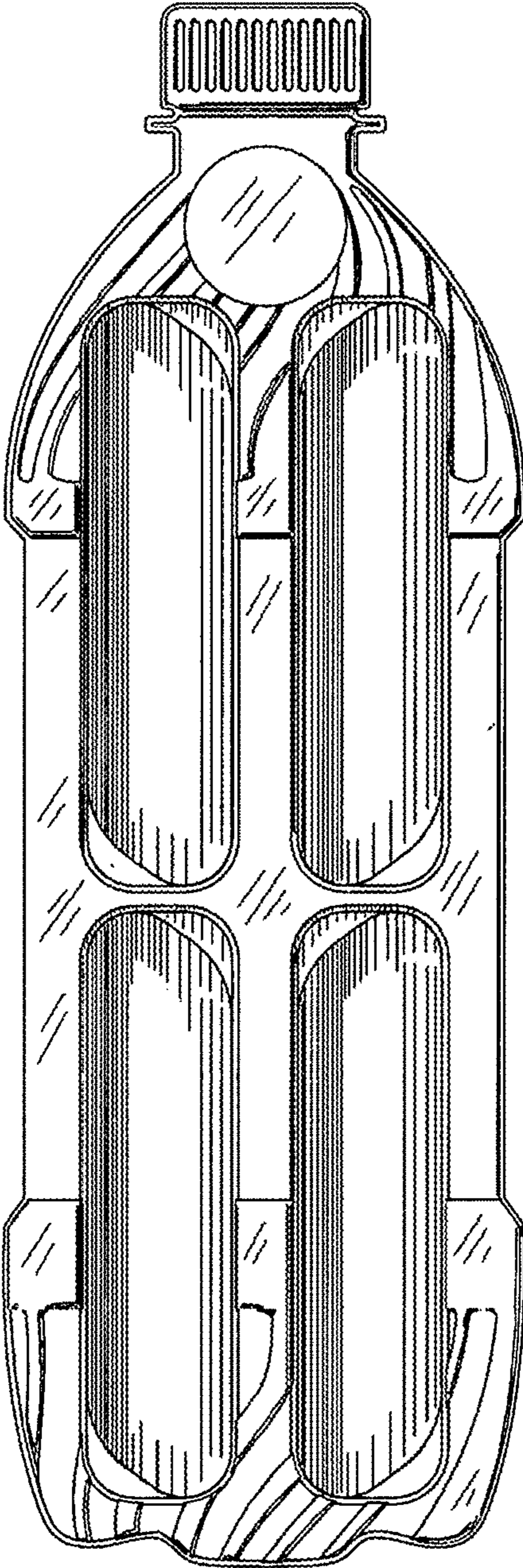


Figure 2

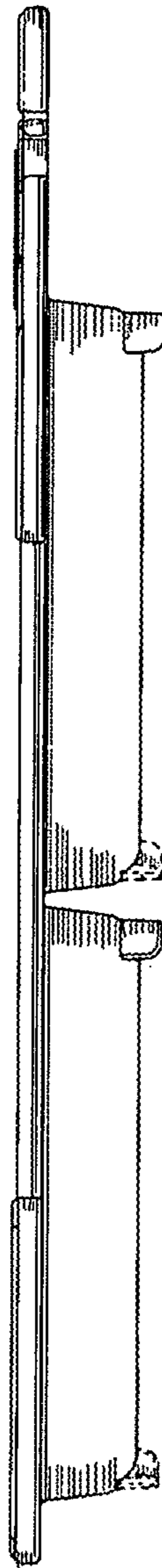


Figure 3