



US00D804541S

(12) **United States Design Patent** (10) **Patent No.:** **US D804,541 S**
Davison, III et al. (45) **Date of Patent:** **** Dec. 5, 2017**

(54) **ICE SHAPING DEVICE**
(71) Applicant: **Jokari/US, Inc**, Carrollton, TX (US)
(72) Inventors: **George McConnell Davison, III**,
Pittsburgh, PA (US); **Peter Arthur Meier**,
Pittsburgh, PA (US); **Timothy Adam Craig**,
Pittsburgh, PA (US); **John M Margolis**,
Glenshaw, PA (US); **Donald H. Saller**,
McKinney, TX (US)

(**) Term: **15 Years**

(21) Appl. No.: **29/549,070**

(22) Filed: **Dec. 18, 2015**

(51) **LOC (10) Cl.** **15-07**

(52) **U.S. Cl.**
USPC **D15/90**

(58) **Field of Classification Search**
USPC D15/79, 80, 82, 89, 90; D9/432, 766,
D9/770; D7/550.1, 552.2, 553.1, 553.2,
D7/553.3, 555, 566, 587, 603; D3/304,
D3/307, 313

CPC F25B 21/02; F25B 2321/02; F25B 1/005;
F25B 2321/0252; F25B 1/00; F25B 1/10;
F25B 21/04; F25B 2339/047; F25B 5/02;
F25B 7/00; F25B 13/00; F25B 1/053;
F25B 2309/06; F25B 2321/021; F25B
2321/023; F25D 23/028; F25D 23/02;
F25D 25/025; F25D 23/00; F25D
2323/021; F25D 11/00; F25D 2323/024;
F25D 23/04; F25D 29/00; F25D 25/02;
F25D 25/024; F25D 27/005; F25D 23/12;
F25D 29/005; F25D 17/042; F25D
2325/021

See application file for complete search history.

(56) **References Cited**

U.S. PATENT DOCUMENTS

D20,487 S * 1/1891 McBride D7/555
3,075,364 A * 1/1963 Kniffin F25C 1/24
62/353

D200,558 S * 3/1965 Davis D15/90
3,214,128 A * 10/1965 Beck F25C 1/243
249/127
D209,607 S * 12/1967 Lloyd D19/103
4,311,022 A * 1/1982 Hall A45C 11/20
62/372
D378,178 S * 2/1997 Sawyer D7/359
D451,676 S * 12/2001 Dembicks D3/313
D495,721 S * 9/2004 Glassgold D15/90
D496,057 S * 9/2004 Glassgold D15/90
D616,250 S * 5/2010 Peyton D7/553.3
D654,517 S * 2/2012 Merritt D15/90
D665,628 S * 8/2012 Mayer D7/553.2

OTHER PUBLICATIONS

<http://www.davison.com/blog/2016/06/10/davison-products-align-with-big-beverage-brands-pepsi-mountain-dew/>—Published Jun. 10, 2016.*

(Continued)

Primary Examiner — Ian Simmons
Assistant Examiner — Mojtaba Tehrani
(74) *Attorney, Agent, or Firm* — David M. DeMay

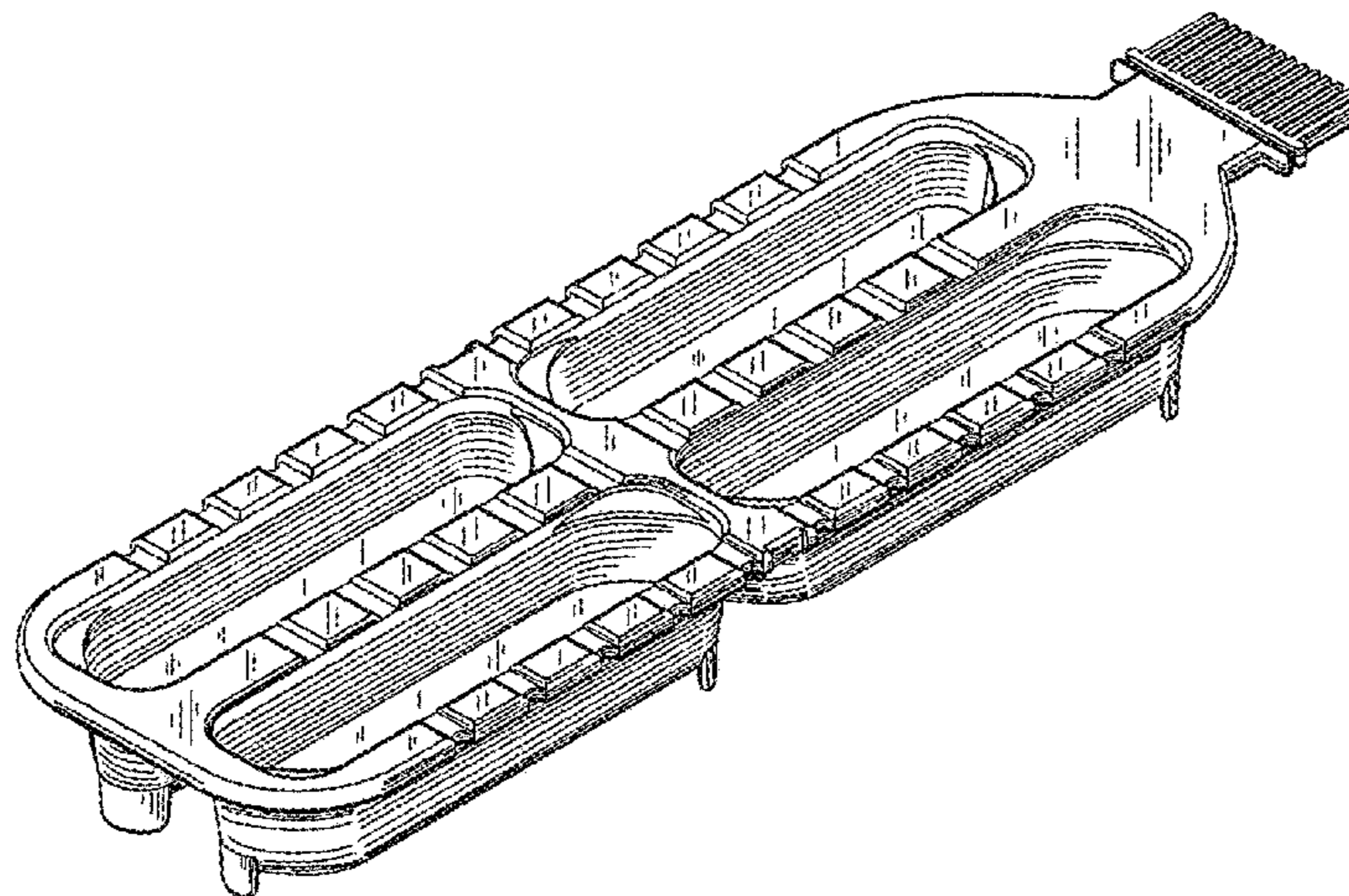
(57) **CLAIM**

We claim the ornamental design for an ice shaping device, as shown and described.

DESCRIPTION

FIG. 1 is a perspective view of the ice shaping device showing the new design; FIG. 2 is a top plan view thereof; and, FIG. 3 is a right side elevation view thereof. Portions of the drawing shown in broken lines form no part of the claimed design. The left side is a mirrored image of the right side and is not illustrated.

1 Claim, 3 Drawing Sheets



(56)

References Cited

OTHER PUBLICATIONS

<https://www.amazon.com/Jokari-Count-Bottle-Beverage-Bottles/dp/B019GZ11JS/>—Available as early as Dec. 17, 2015.*
<http://jokari.com/products/bottle-ice>—Retrieved Nov. 7, 2016.*
Dripless Ice Stick Trays, www.bedbathandbeyond.com/store/product/icy-bottle-sticks-trays-set-of-2.
WalterDrake Narrow Ice Tube Tray, www.walmart.com/ip/WalterDrake-White-Water-Bottle-Ice-Cube-Trays-Set-of-2.

* cited by examiner

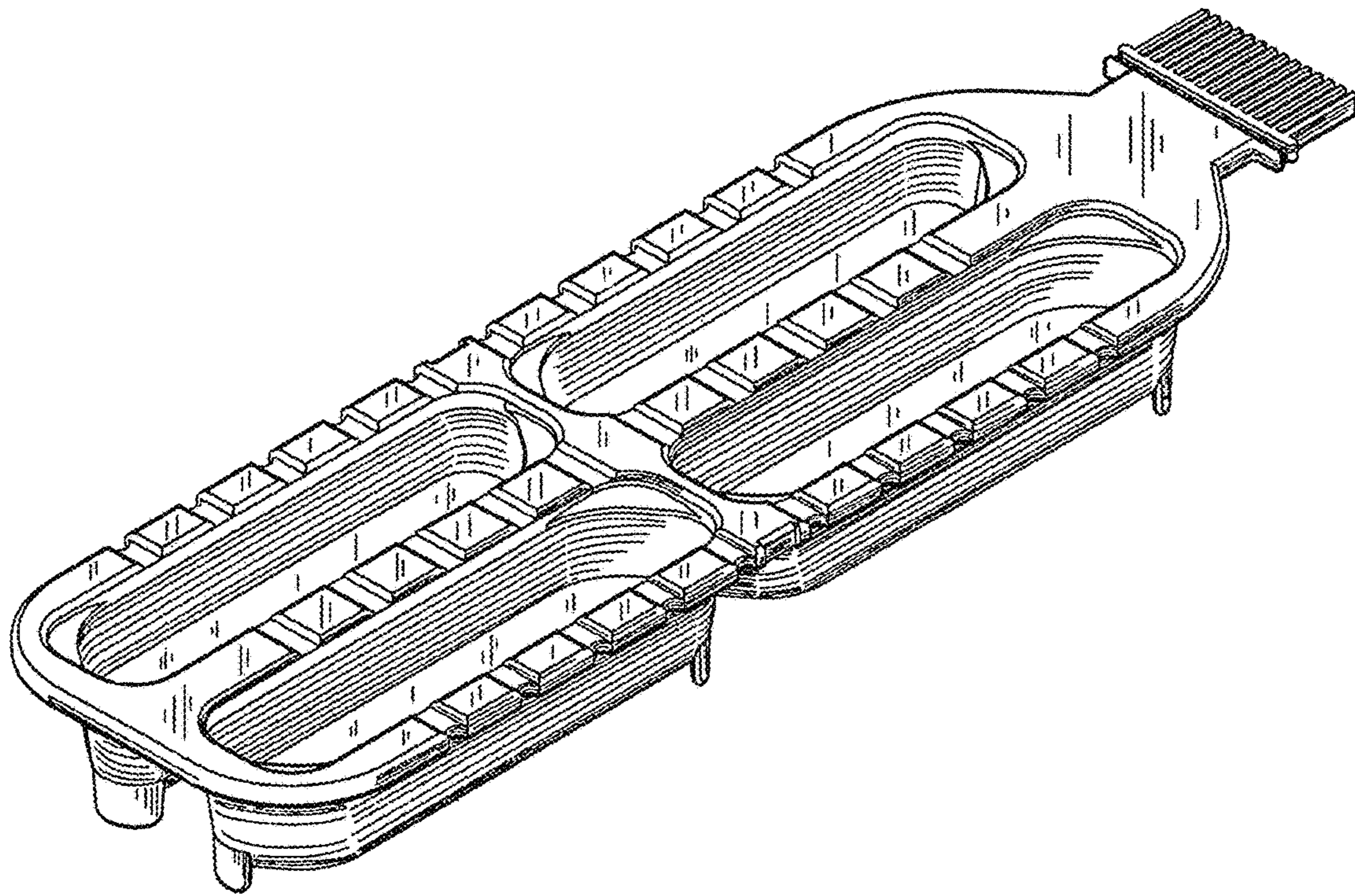


Figure 1

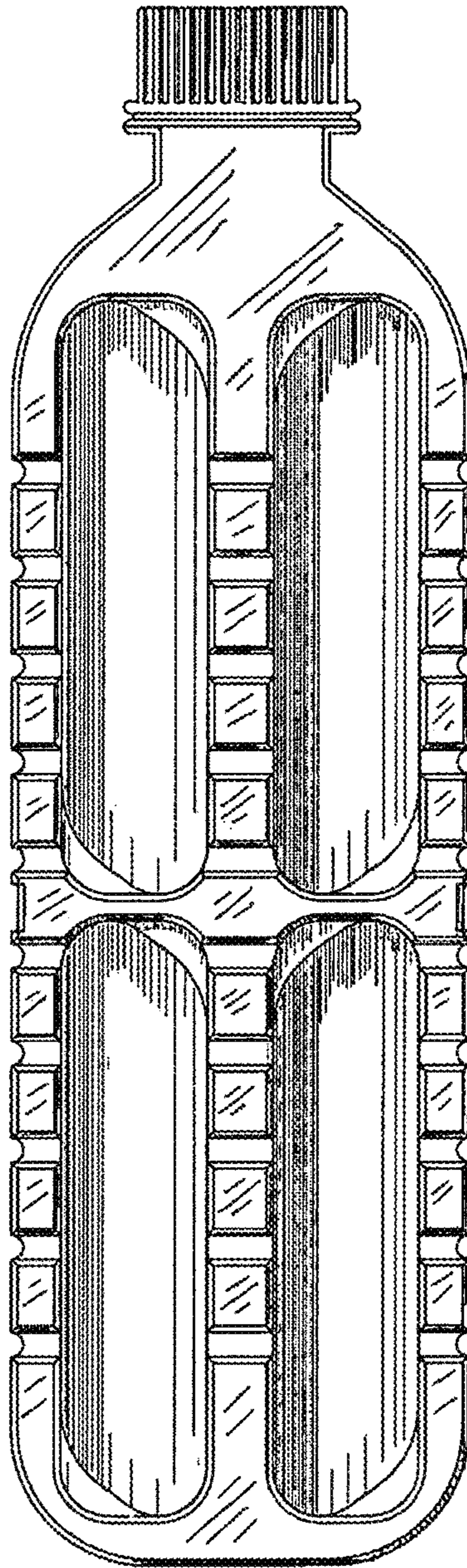


Figure 2

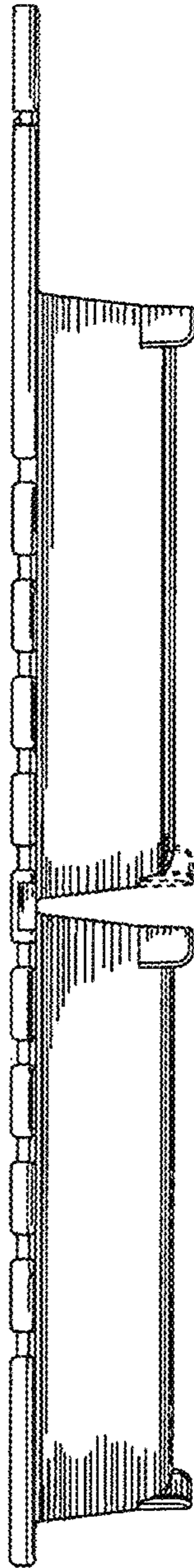


Figure 3