



US00D804540S

(12) **United States Design Patent**
Kanai

(10) **Patent No.:** **US D804,540 S**

(45) **Date of Patent:** **** Dec. 5, 2017**

(54) **SEWING MACHINE**

(71) Applicant: **JANOME SEWING MACHINE Co., Ltd.**, Hachioji-shi, Tokyo (JP)

(72) Inventor: **Takashi Kanai**, Hachioji (JP)

(73) Assignee: **JANOME SEWING MACHINE CO., LTD.**, Hachioji-Shi, Tokyo (JP)

(**) Term: **15 Years**

(21) Appl. No.: **29/572,148**

(22) Filed: **Jul. 25, 2016**

(30) **Foreign Application Priority Data**

Feb. 26, 2016 (JP) 2016-004156

(51) **LOC (10) Cl.** **15-06**

(52) **U.S. Cl.**
USPC **D15/69**

(58) **Field of Classification Search**
USPC D15/66-78
CPC D05B 1/00-25/00
See application file for complete search history.

(56) **References Cited**

U.S. PATENT DOCUMENTS

D281,783 S * 12/1985 Allen D15/69
D281,979 S * 12/1985 Meier D15/69

D289,403 S * 4/1987 Yoneda D15/69
D292,929 S * 11/1987 Yoneda D15/69
D515,109 S * 2/2006 Iwai D15/69
7,299,757 B2 * 11/2007 Niizeki D05B 19/006
112/323
D578,553 S * 10/2008 Inada D15/69
D594,481 S * 6/2009 Inada D15/69
D628,605 S * 12/2010 Mutoh D15/69
D687,869 S * 8/2013 Hattori D15/69
D687,870 S * 8/2013 Hattori D15/69
D720,372 S * 12/2014 Kanai D15/69
D728,641 S * 5/2015 Hattori D15/69
D743,451 S * 11/2015 Kanai D15/69

* cited by examiner

Primary Examiner — Mitchell Siegel
(74) *Attorney, Agent, or Firm* — McGinn IP Law Group, PLLC

(57) **CLAIM**

The ornamental design for sewing machine, as shown and described.

DESCRIPTION

FIG. 1 is a front perspective view of a sewing machine showing my new design;
FIG. 2 is a front elevational view thereof;
FIG. 3 is a rear elevational view thereof;
FIG. 4 is a left side elevational view thereof;
FIG. 5 is a right side elevational view thereof;
FIG. 6 is a top plan view thereof; and,
FIG. 7 is a bottom plan view thereof.

1 Claim, 7 Drawing Sheets

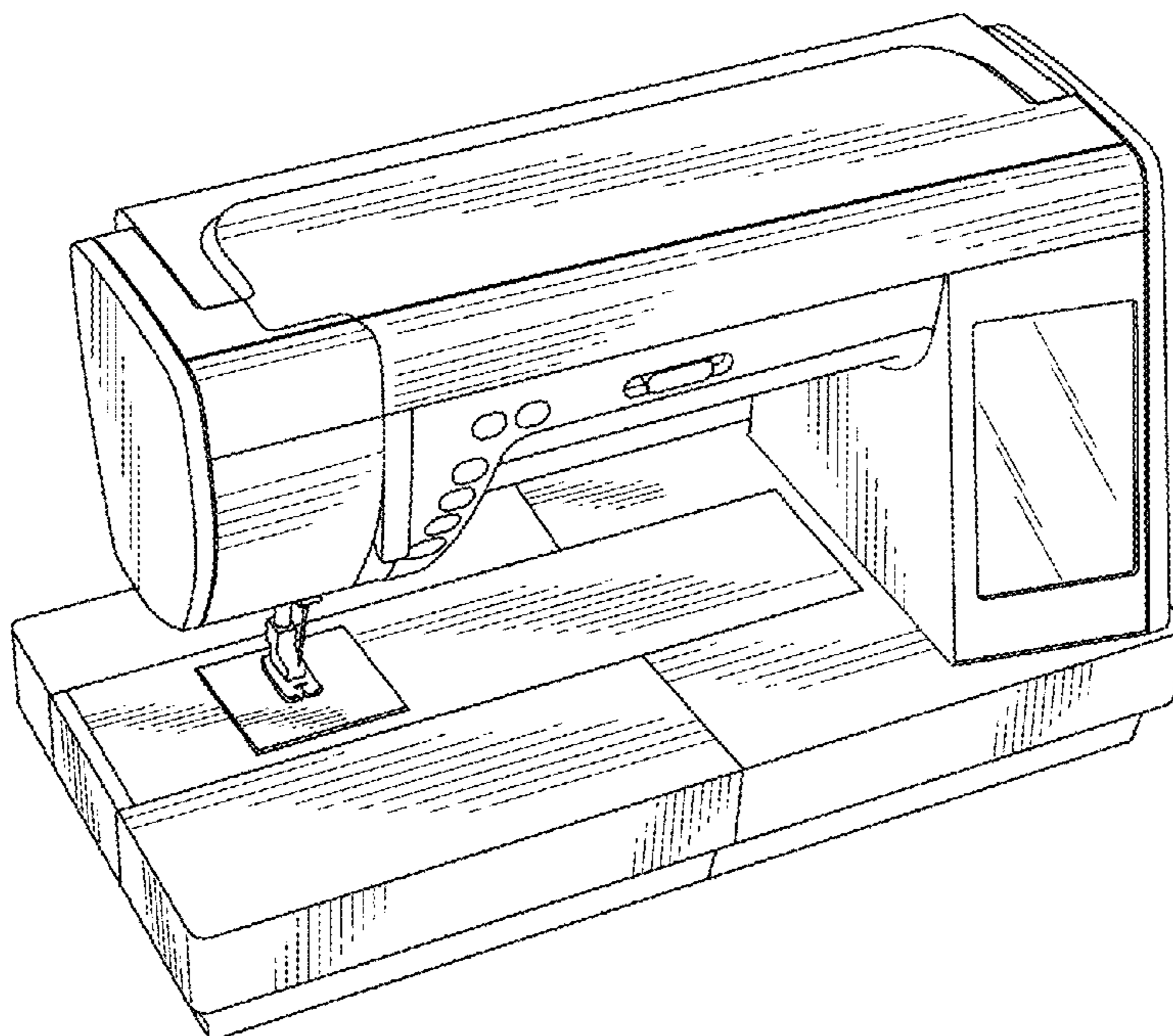
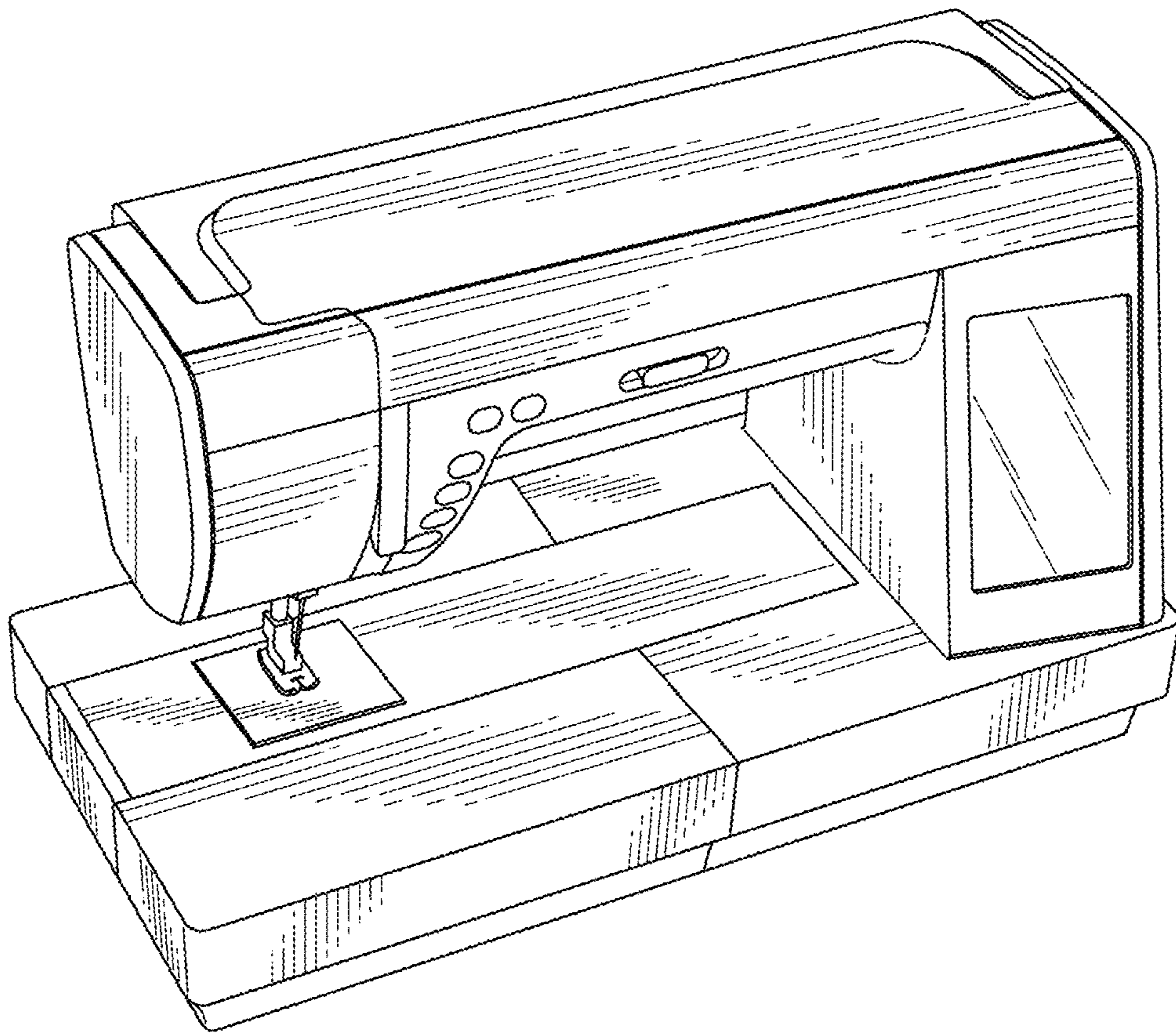


Fig. 1



F i g . 2

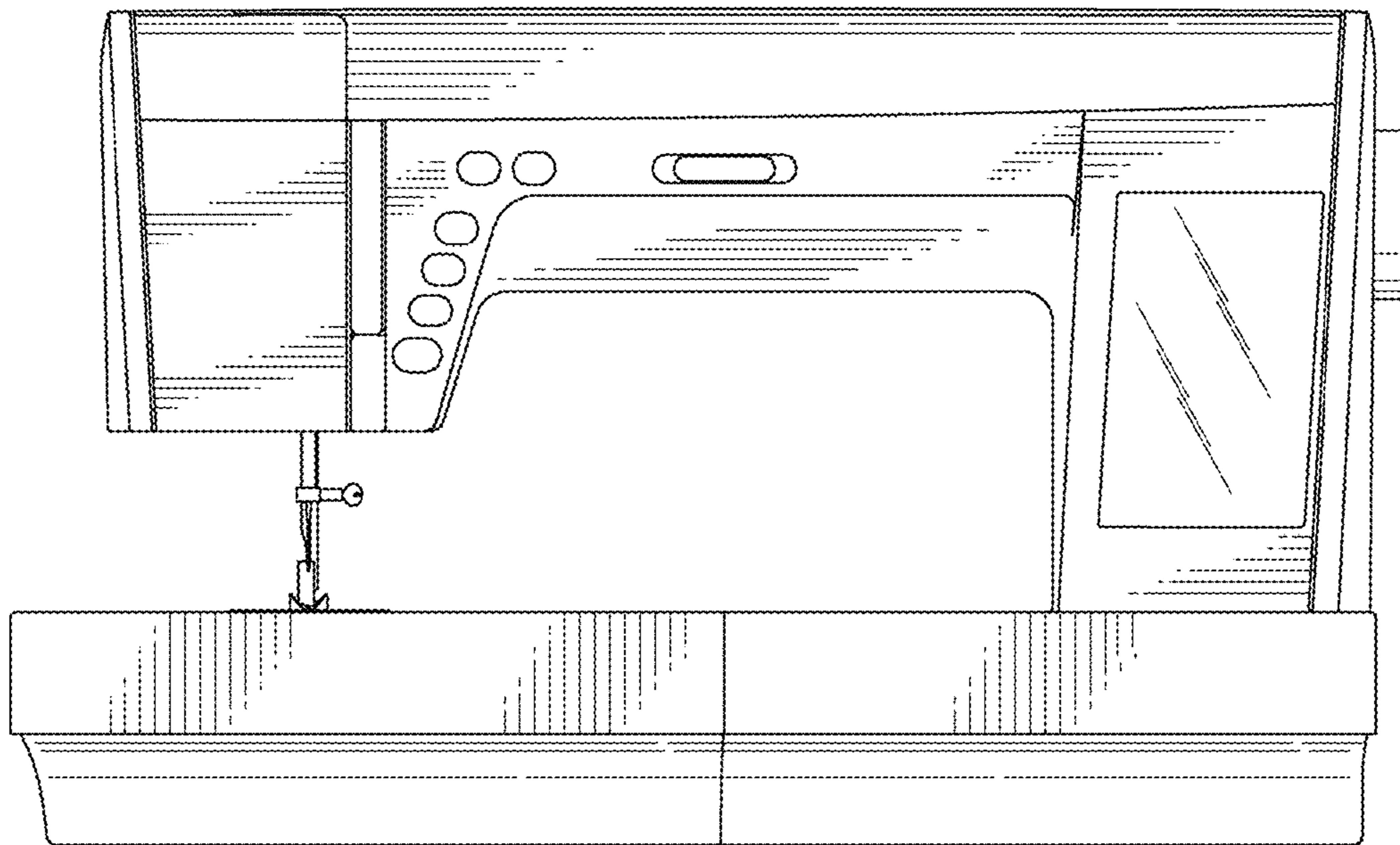


Fig. 3

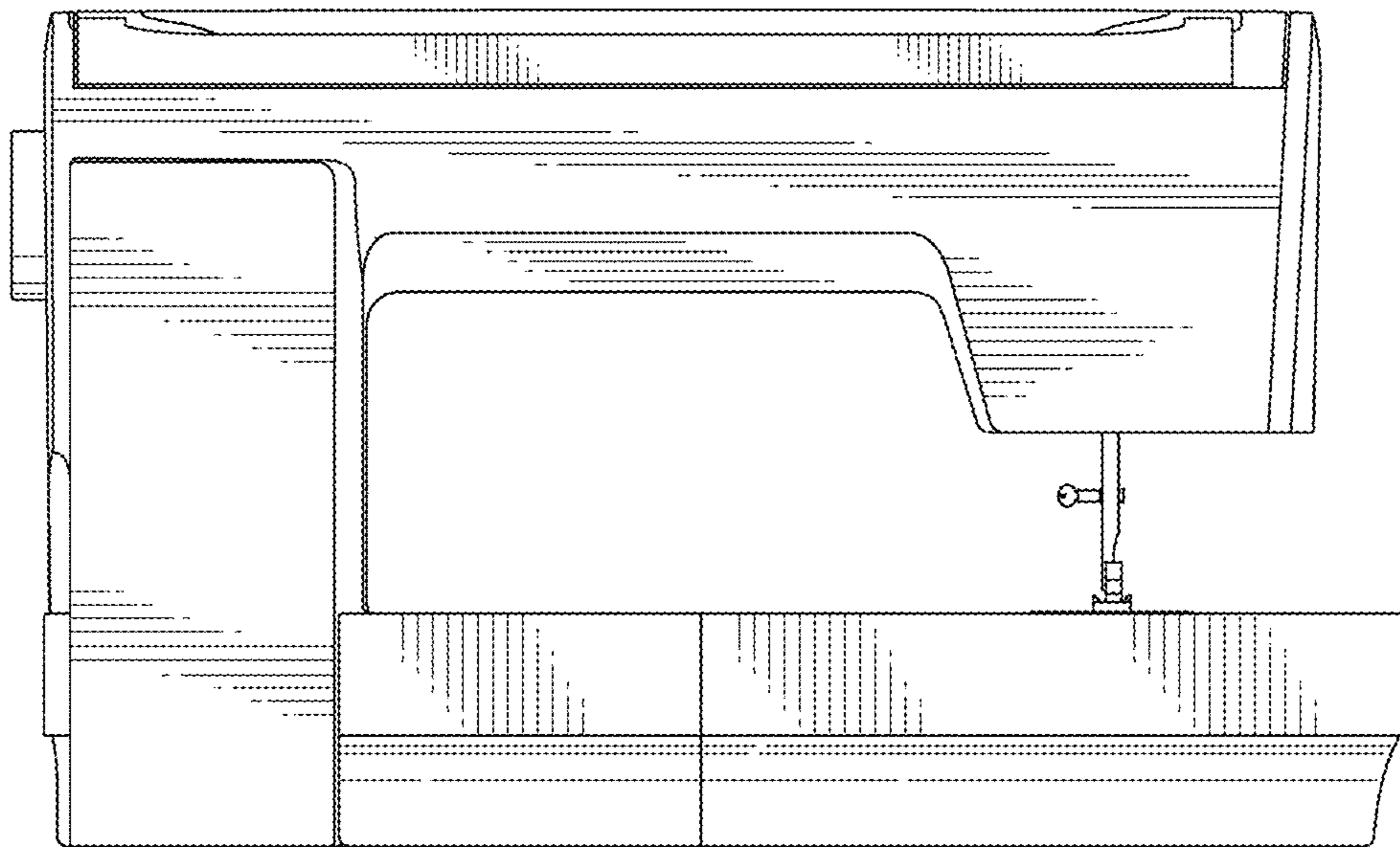


Fig. 4

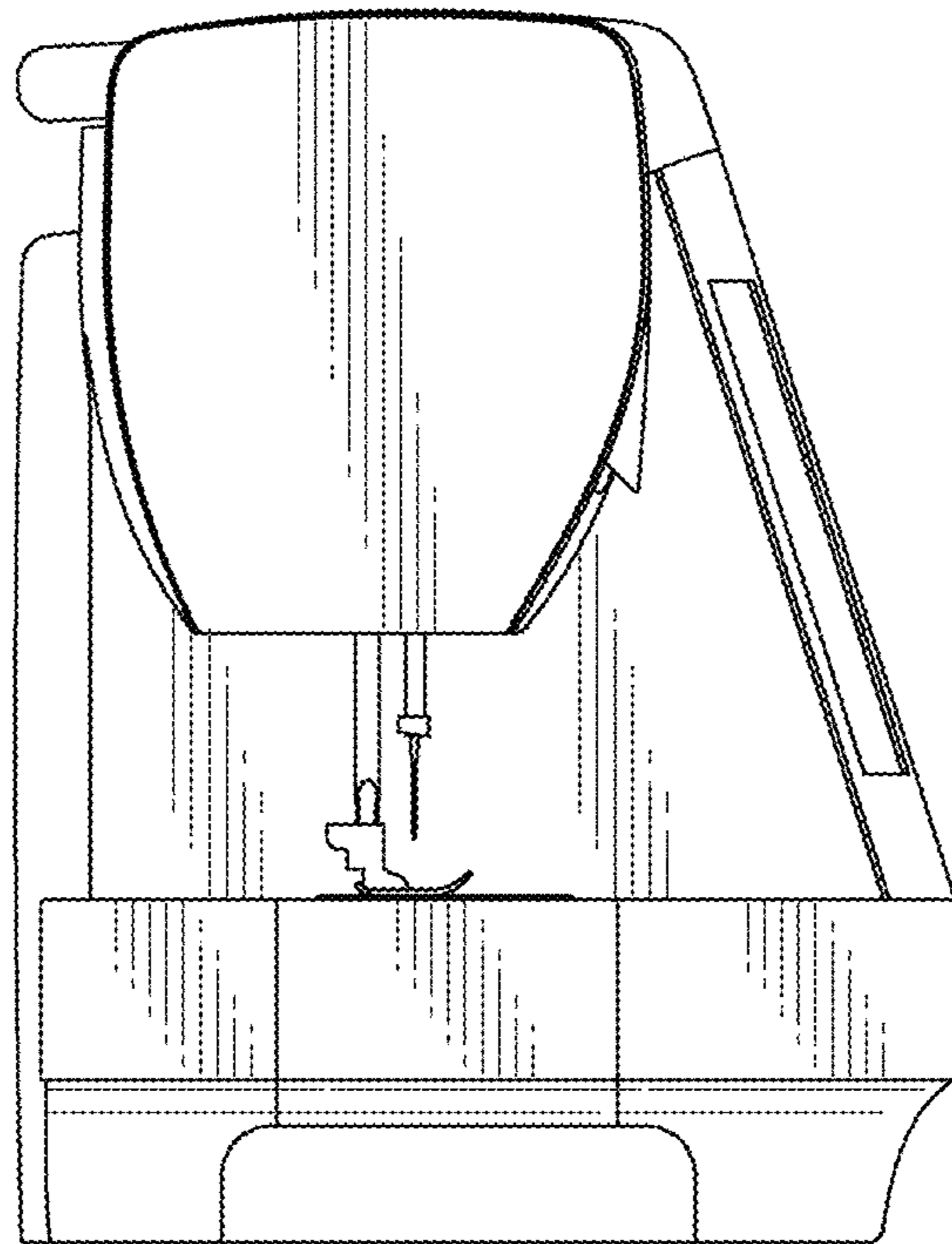
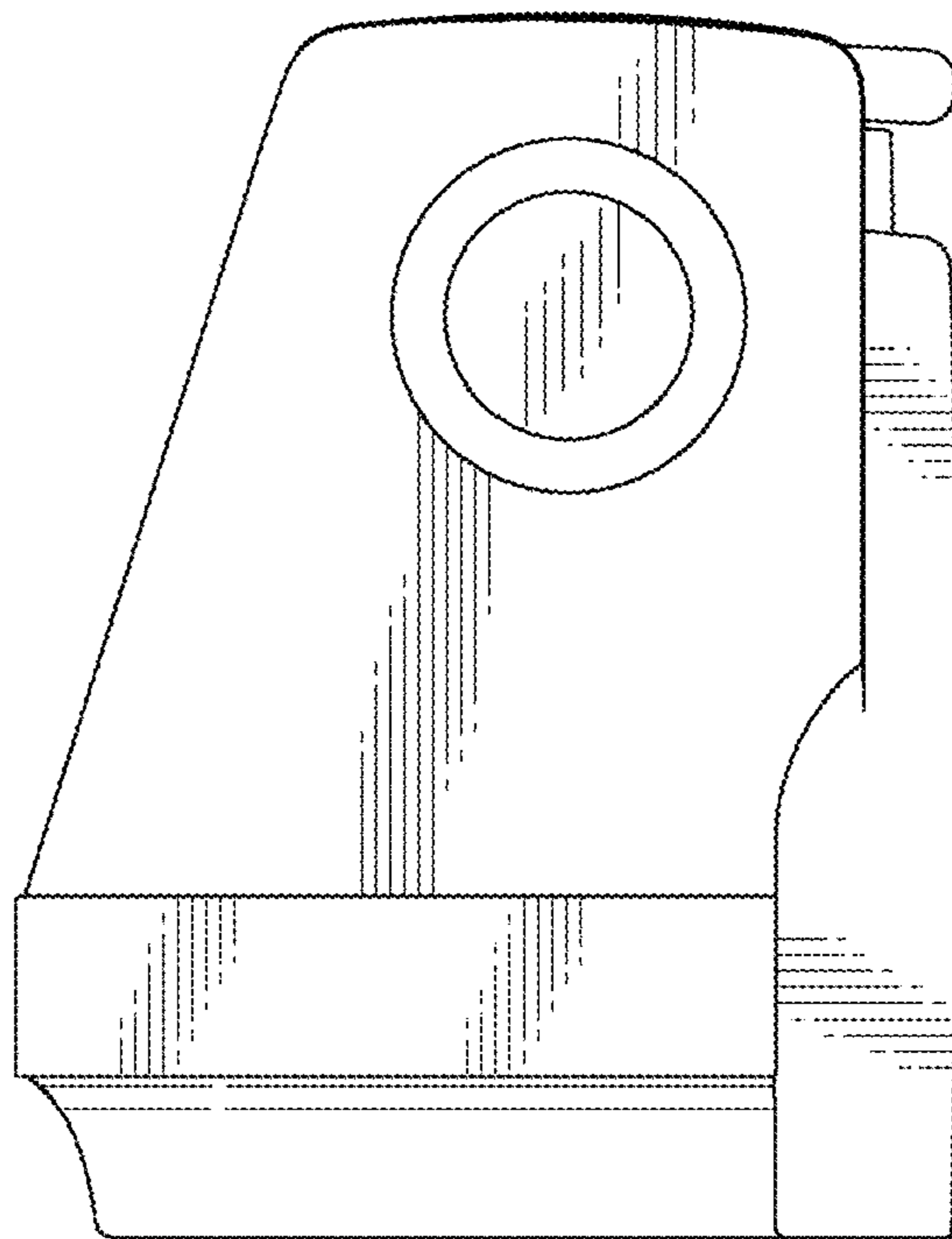


Fig. 5



F i g . 6

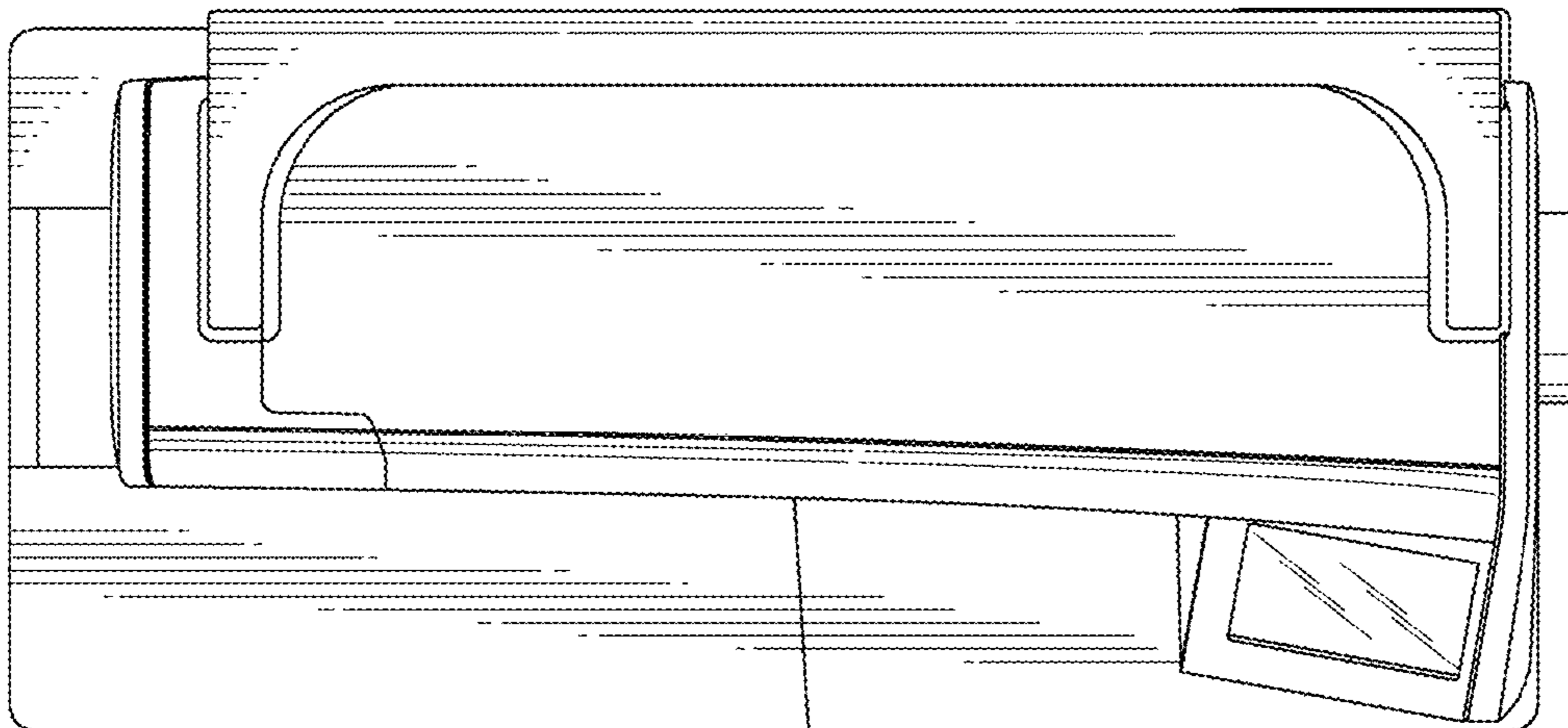


Fig. 7

