



US00D804538S

(12) **United States Design Patent** (10) **Patent No.:** **US D804,538 S**  
**Brooks et al.** (45) **Date of Patent:** **\*\* Dec. 5, 2017**

(54) **RAIL GUIDE** 4,081,202 A 3/1978 Kozuki  
4,082,372 A 4/1978 Kozuki  
(71) Applicant: **Caterpillar Inc.**, Peoria, IL (US) 4,098,543 A 7/1978 Sturges  
(Continued)

(72) Inventors: **Jennifer Brooks**, Germantown Hills, IL (US); **Roger Recker**, Dunlap, IL (US)

(73) Assignee: **Caterpillar Inc.**, Peoria, IL (US)

(\*\*) Term: **15 Years**

(21) Appl. No.: **29/582,798**

(22) Filed: **Oct. 31, 2016**

FOREIGN PATENT DOCUMENTS

AU 139354 12/1999  
AU 140881 6/2000  
(Continued)

OTHER PUBLICATIONS

U.S. Appl. No. 29/426,091 titled "Undercarriage Track Link for Mobile Earthmoving Machine" filed Jun. 29, 2012. (unpublished).  
(Continued)

**Related U.S. Application Data**

(63) Continuation of application No. 29/536,151, filed on Aug. 13, 2015, now Pat. No. Des. 775,239.

(51) **LOC (10) Cl.** ..... **15-03**

(52) **U.S. Cl.**  
USPC ..... **D15/28**

(58) **Field of Classification Search**  
USPC ..... D15/22-26, 28; 305/54, 85 R, 39, 35 R, 305/201, 200, 135, 185-187, 195, 196, 305/199, 204, 198, 190, 193, 194; 59/80, 59/78, 82, 35.1

CPC ..... B62D 55/20; B62D 55/21; B62D 55/211; B62D 55/28; F16G 13/00; F16G 13/02; F16G 13/06; F16G 13/07; F16G 13/08

See application file for complete search history.

(56) **References Cited**

U.S. PATENT DOCUMENTS

3,035,872 A 5/1962 Rich  
3,372,959 A 3/1968 Watts, Jr.  
3,937,530 A 2/1976 Sturges  
3,947,074 A 3/1976 Nelson  
3,955,855 A 5/1976 Massieon et al.  
4,003,608 A 1/1977 Carter  
4,036,538 A 7/1977 Haslett et al.

*Primary Examiner* — Mark Goodwin

(74) *Attorney, Agent, or Firm* — Saidman DesignLaw Group

(57) **CLAIM**

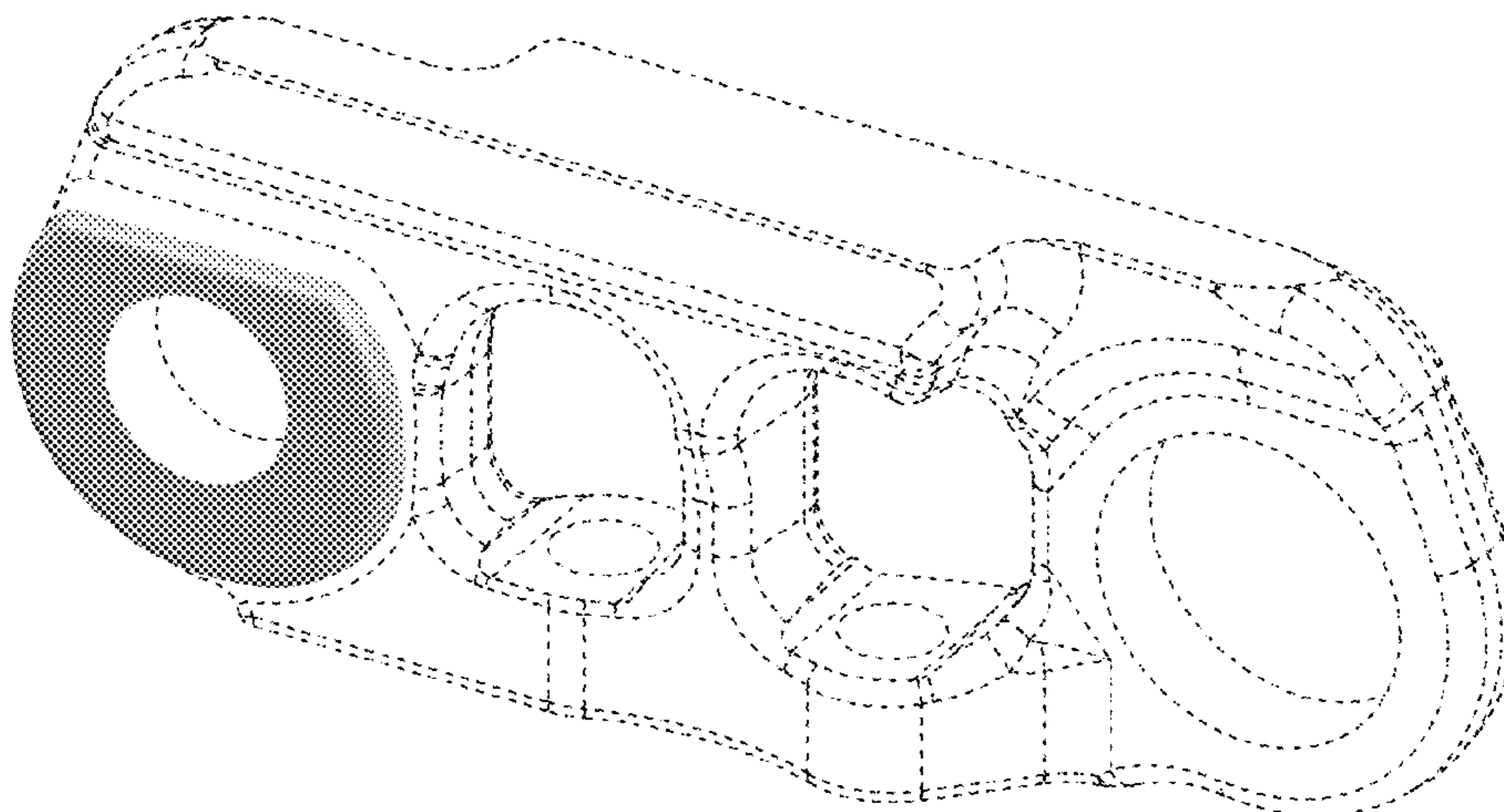
The ornamental design for a rail guide, as shown and described.

**DESCRIPTION**

FIG. 1 is a front perspective view of a rail guide showing our new design;  
FIG. 2 is a rear perspective view thereof;  
FIG. 3 is a left side view thereof;  
FIG. 4 is a right side view thereof;  
FIG. 5 is a front view thereof;  
FIG. 6 is a rear view thereof;  
FIG. 7 is a top view thereof; and,  
FIG. 8 is a bottom view thereof.

The dashed broken lines illustrate structure or features which form no part of the claimed design.  
The drawings include surface shading, which represents contour and not surface ornamentation.  
The outside edges of the shaded portions represent boundaries of the claimed design.

**1 Claim, 5 Drawing Sheets**



(56)

References Cited

U.S. PATENT DOCUMENTS

4,099,795 A 7/1978 Roley  
 RE29,723 E 8/1978 Haslett et al.  
 4,105,260 A 8/1978 Blunier et al.  
 4,116,497 A 9/1978 Schimpf et al.  
 4,123,120 A 10/1978 Kohriyama  
 4,128,277 A 12/1978 Meisel, Jr.  
 4,129,045 A 12/1978 Kishitani  
 4,141,601 A 2/1979 Stedman  
 4,176,887 A 12/1979 Alpers et al.  
 4,222,616 A 9/1980 Brewer  
 4,265,084 A 5/1981 Livesay  
 4,306,753 A 12/1981 Livesay et al.  
 4,423,910 A 1/1984 Narang  
 4,444,441 A 4/1984 Parker  
 4,449,357 A 5/1984 Balitch  
 4,459,124 A 7/1984 Newton  
 4,530,546 A 7/1985 Meisel, Jr.  
 4,553,791 A 11/1985 Blair  
 4,602,825 A 7/1986 Meisel, Jr.  
 4,636,014 A 1/1987 Dennison et al.  
 4,763,961 A 8/1988 Parrott  
 4,880,283 A 11/1989 Savage et al.  
 4,890,892 A 1/1990 Haslett  
 5,172,965 A 12/1992 Taft  
 5,183,318 A 2/1993 Taft et al.  
 5,201,171 A 4/1993 Anderton et al.  
 D338,020 S 8/1993 Taft  
 5,482,364 A 1/1996 Edwards et al.  
 5,692,985 A 12/1997 Hirata et al.  
 5,704,697 A 1/1998 Ketting et al.  
 5,759,309 A 6/1998 Watts et al.  
 5,887,958 A 3/1999 Bissi et al.  
 5,927,665 A 7/1999 Grabnic  
 6,109,706 A 8/2000 Oertley  
 6,120,405 A 9/2000 Oertley et al.  
 D435,565 S 12/2000 Barani  
 RE37,254 E 7/2001 Ketting et al.  
 6,322,173 B1 11/2001 Maguire et al.  
 6,354,679 B1 \* 3/2002 Maguire ..... B62D 55/0887  
 305/198  
 6,364,438 B1 4/2002 Hasselbusch et al.  
 6,386,651 B1 \* 5/2002 Gerardin ..... B62D 55/205  
 305/100  
 6,416,142 B1 7/2002 Oertley  
 6,422,667 B2 7/2002 Miyaura  
 6,431,665 B1 8/2002 Banerjee et al.  
 6,474,754 B1 11/2002 Hasselbusch  
 6,565,161 B2 5/2003 Anderton  
 6,783,196 B2 8/2004 Maguire et al.  
 6,951,096 B2 10/2005 Maguire et al.  
 7,007,360 B2 3/2006 Huenefeld et al.  
 7,040,080 B2 5/2006 Okawa et al.  
 7,100,353 B1 9/2006 Maguire  
 7,345,255 B2 3/2008 Jiang et al.  
 7,614,709 B2 11/2009 Oertley  
 7,657,990 B2 \* 2/2010 Wodrich ..... B62D 55/15  
 29/527.4  
 7,661,774 B2 2/2010 Yamamoto et al.  
 7,776,451 B2 8/2010 Jiang et al.  
 7,806,209 B2 10/2010 Standish et al.  
 7,850,256 B2 12/2010 Mulligan  
 7,877,977 B2 2/2011 Johannsen et al.  
 7,896,766 B2 3/2011 Mitzschke et al.  
 8,070,241 B2 12/2011 Mulligan  
 8,075,069 B2 12/2011 Pech et al.  
 8,172,342 B2 5/2012 Diekevers et al.  
 D665,826 S 8/2012 Clarke et al.

8,336,970 B2 12/2012 Johannsen et al.  
 8,851,582 B2 10/2014 Grenzi  
 D719,588 S 12/2014 Meyer et al.  
 9,045,180 B2 6/2015 Brewer et al.  
 D751,609 S 3/2016 Meyer et al.  
 9,359,024 B2 6/2016 Meyer et al.  
 D767,641 S 9/2016 Knobloch et al.  
 9,434,425 B2 9/2016 Kaufmann et al.  
 D769,333 S 10/2016 Knobloch et al.  
 D775,239 S \* 12/2016 Brooks ..... D15/28  
 2003/0090151 A1 5/2003 Takeno et al.  
 2003/0122425 A1 7/2003 Banerjee  
 2005/0040708 A1 2/2005 Yamamoto et al.  
 2006/0017323 A1 1/2006 Wodrich et al.  
 2008/0217994 A1 9/2008 McRae et al.  
 2009/0026836 A1 1/2009 Maeda  
 2009/0102281 A1 4/2009 Diekevers et al.  
 2010/0007206 A1 1/2010 Wodrich  
 2010/0133898 A1 6/2010 Johannsen et al.  
 2010/0139993 A1 6/2010 Sebright et al.  
 2010/0141005 A1 6/2010 Mackert  
 2010/0141027 A1 6/2010 Fischer et al.  
 2013/0241277 A1 9/2013 Giusti  
 2014/0001822 A1 1/2014 Thorson et al.  
 2014/0001827 A1 1/2014 Kaufmann et al.  
 2014/0001828 A1 1/2014 Meyer et al.  
 2014/0001830 A1 1/2014 Meyer et al.  
 2014/0001831 A1 1/2014 Thorson et al.  
 2014/0070603 A1 3/2014 Wodrich et al.  
 2014/0292068 A1 10/2014 Hisamatsu et al.  
 2015/0266526 A1 9/2015 Liu et al.

FOREIGN PATENT DOCUMENTS

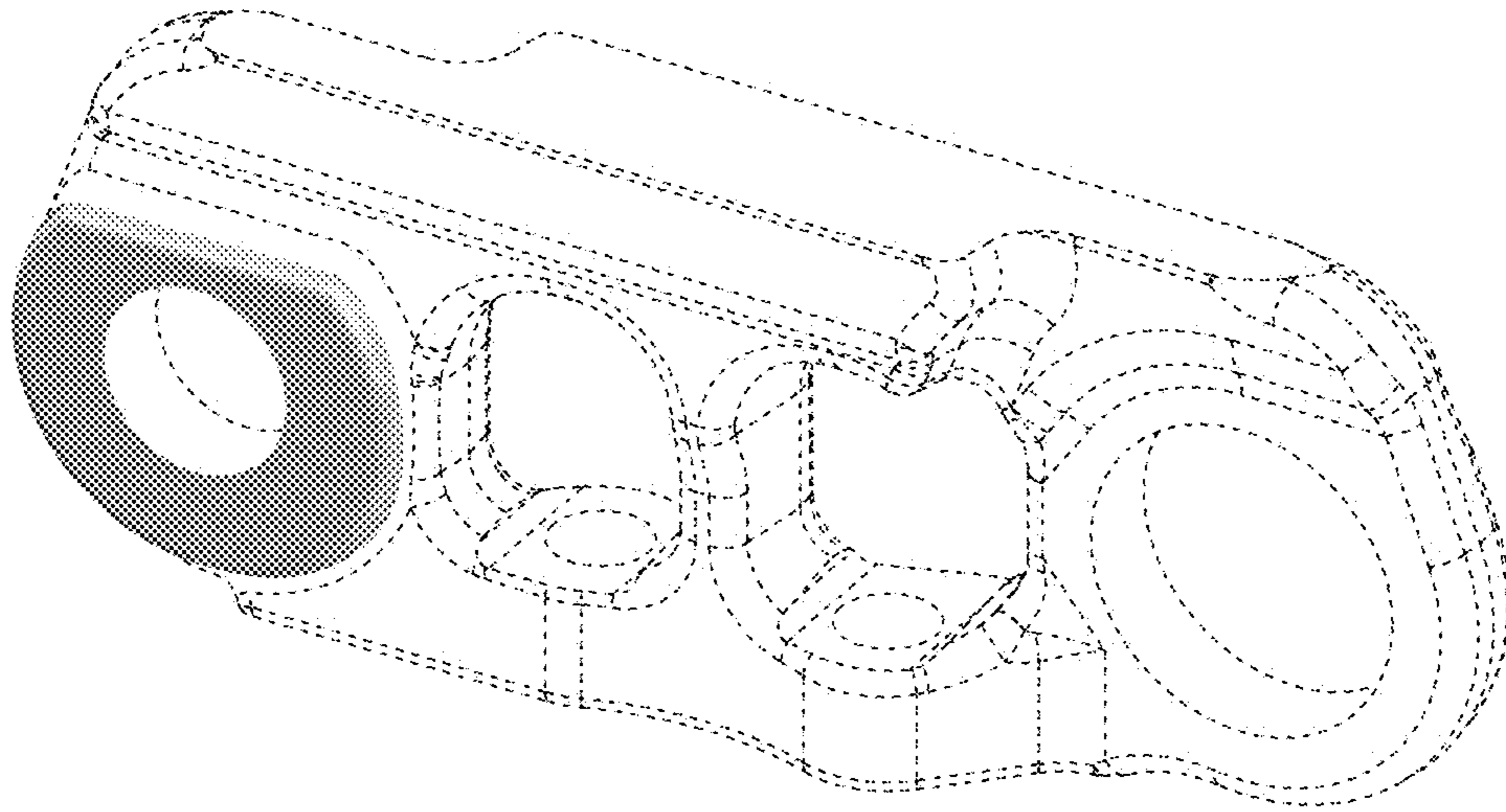
AU 143748 5/2001  
 AU 149531 10/2002  
 AU 304403 11/2005  
 AU 310269 9/2006  
 AU 324833 2/2009  
 CL 145-1939 7/1939  
 CL 75-1943 3/1943  
 CL 92-1990 5/1990  
 CL 1488-2002 9/2002  
 CL 2980-2001 8/2003  
 EM 000302823-0001 2/2005  
 EM 000450028-0003 12/2005  
 EM 000450028-0006 12/2005  
 EM 000472956-0001 1/2006  
 EM 000528807-0001 5/2006  
 EM 000528807-0002 5/2006  
 EM 000528807-0003 5/2006  
 GB 2087930 11/1999  
 WO 2012/116674 A1 9/2012

OTHER PUBLICATIONS

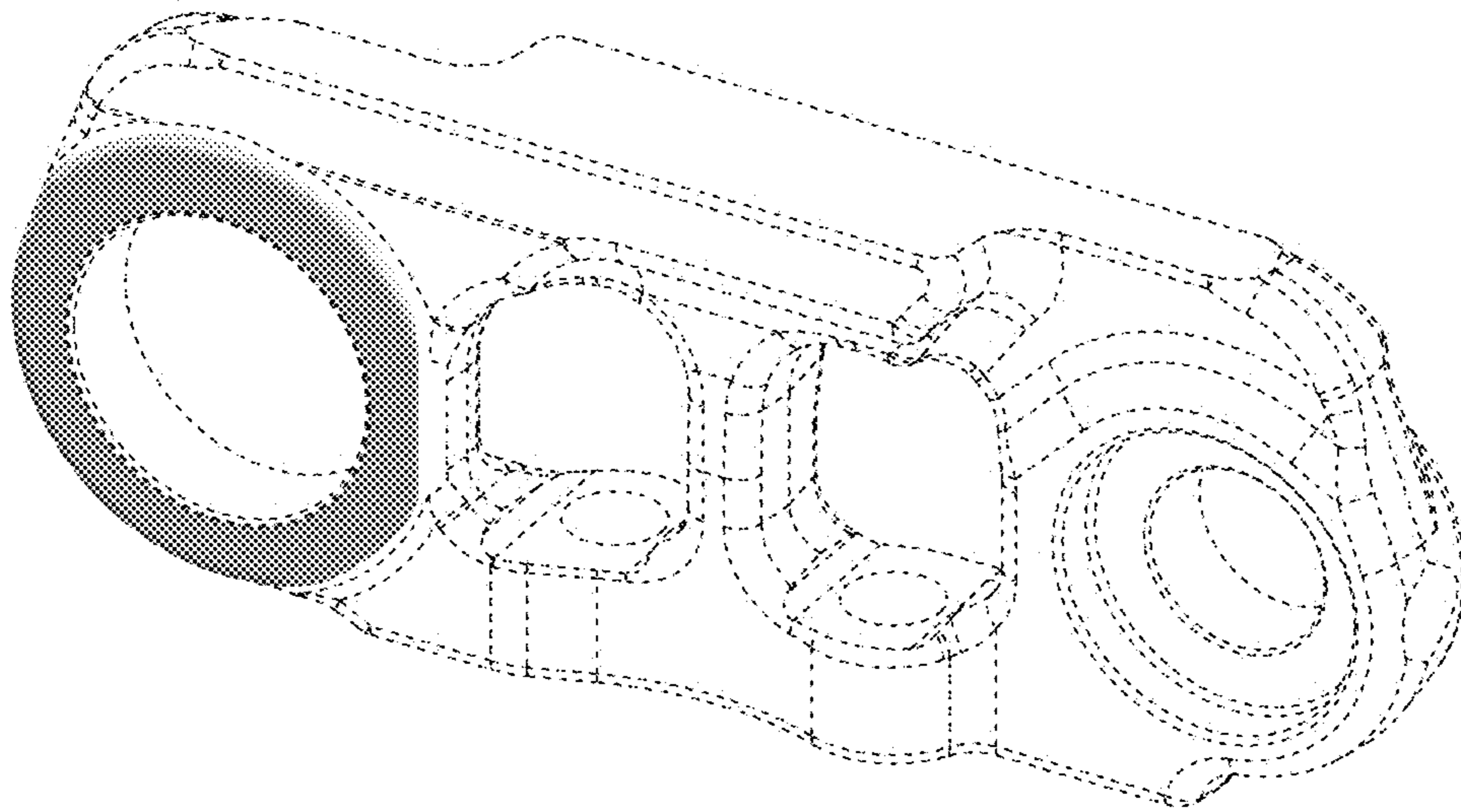
Caterpillar, "Cat® Tri- and Quad-Link Tracks," © 2010.  
 U.S. Appl. No. 14/461,328, filed Aug. 15, 2014, titled "Joint Bushings for Track Joint Assemblies." (unpublished).  
 U.S. Appl. No. 14/461,304, filed Aug. 15, 2014, titled "Track Joint Assemblies." (unpublished).  
 U.S. Appl. No. 14/461,249, filed Aug. 15, 2014, titled "Track Joint Assemblies." (unpublished).  
 U.S. Appl. No. 14/461,289, filed Aug. 15, 2014, titled "Track Joint Assemblies." (unpublished).  
 U.S. Appl. No. 14/461,269, filed Aug. 15, 2014. (unpublished).  
 U.S. Appl. No. 14/825,456, filed Aug. 13, 2014 (unpublished).

\* cited by examiner

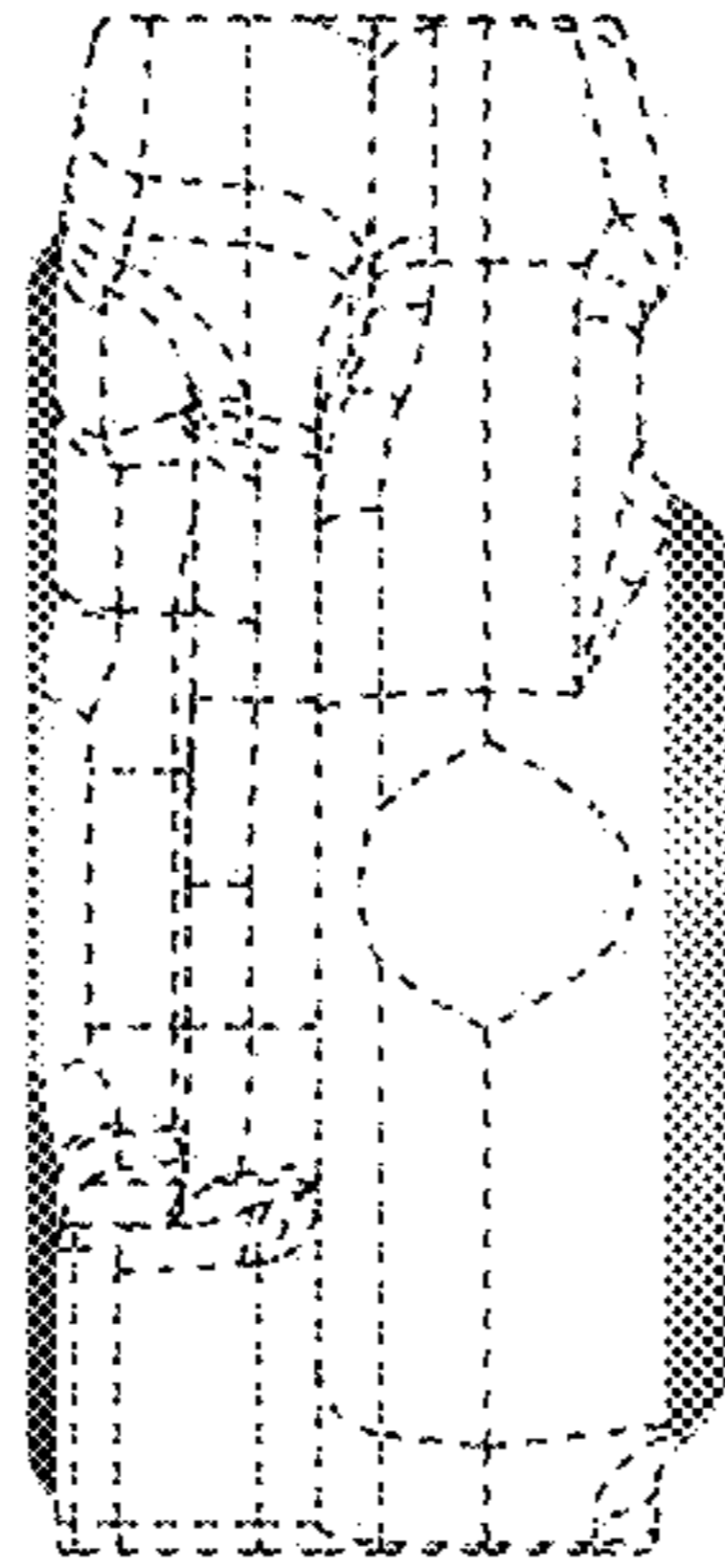




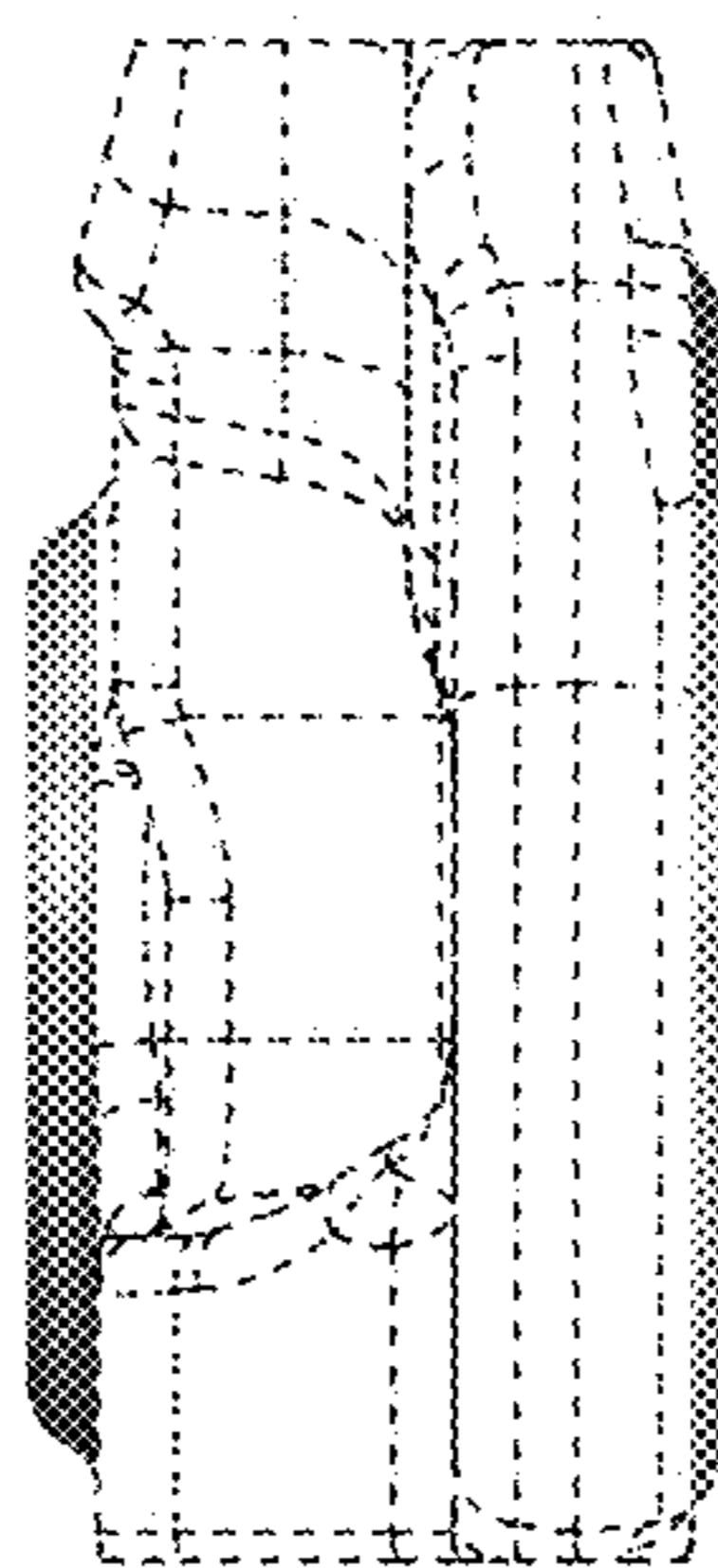
**Fig. 1**



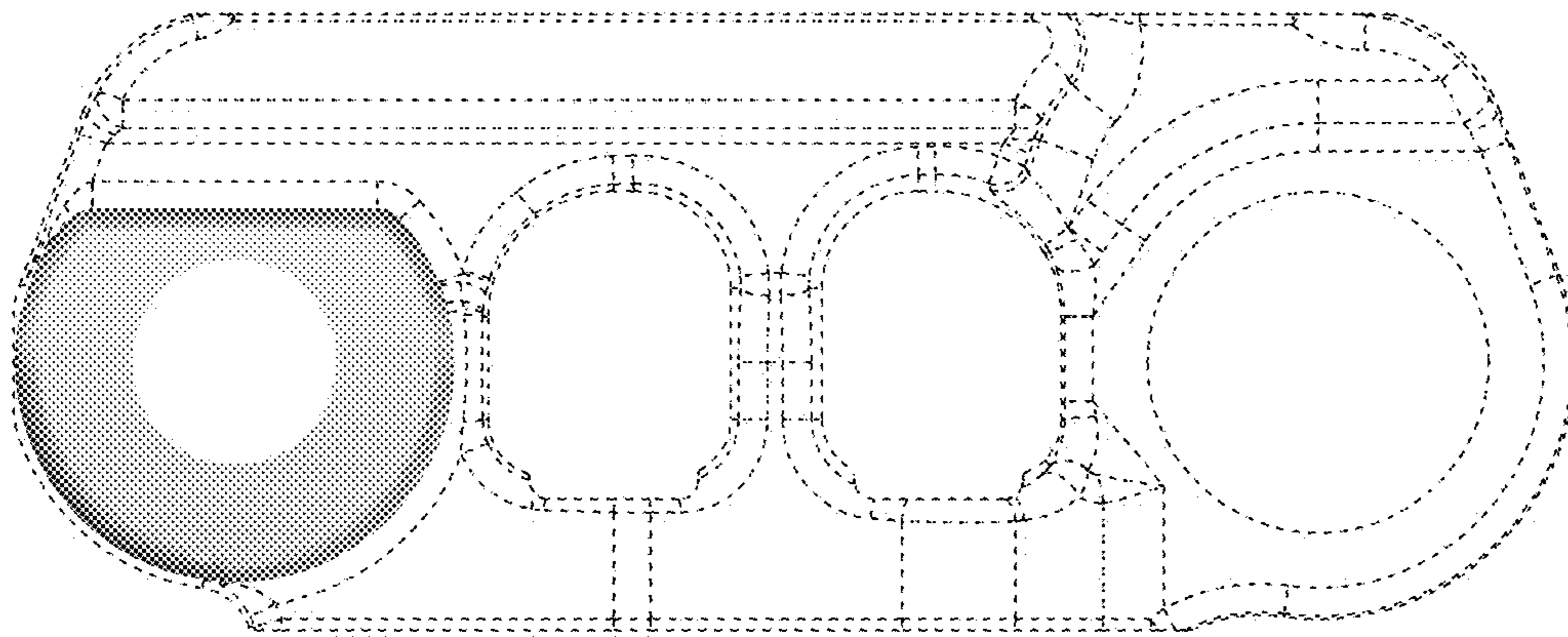
**Fig. 2**



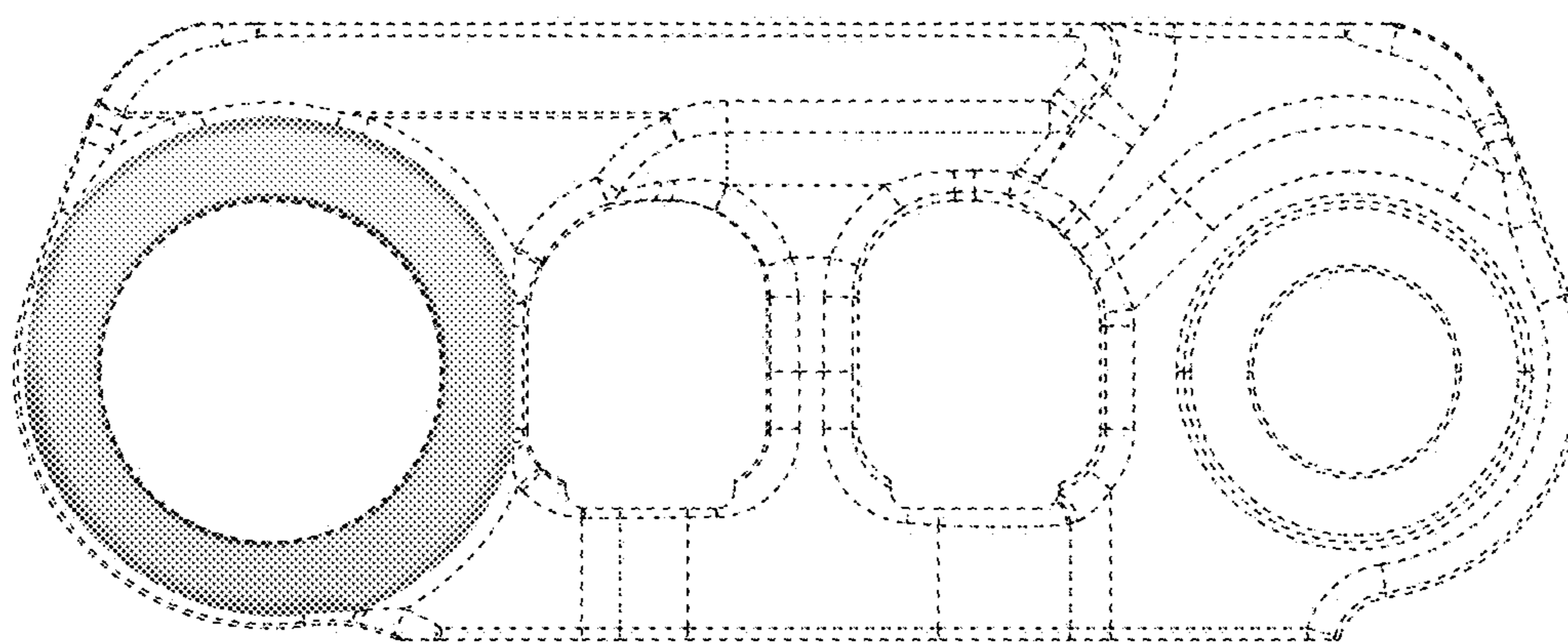
**Fig. 3**



**Fig. 4**



*Fig. 5*



*Fig. 6*

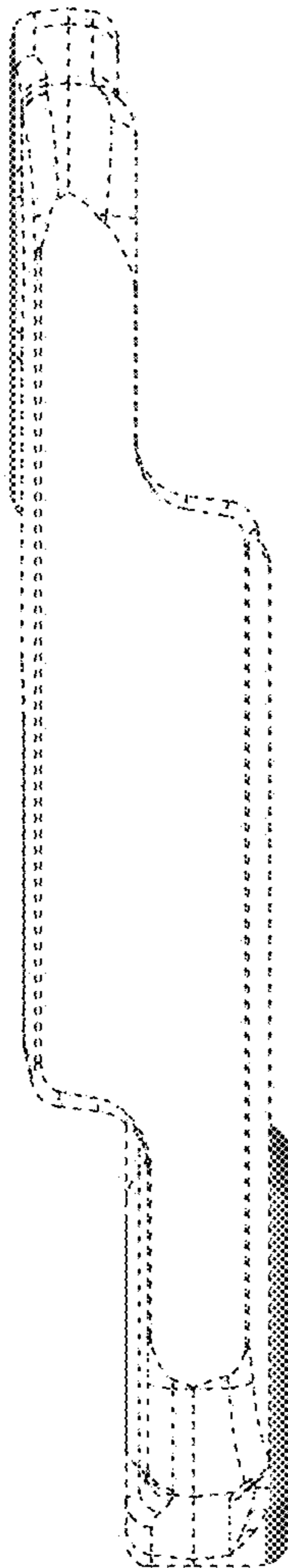


Fig. 7

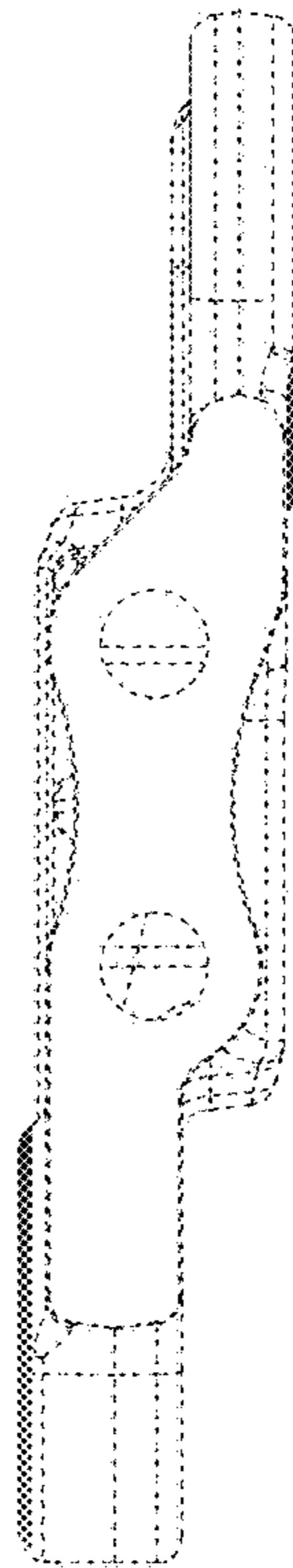


Fig. 8