



US00D804537S

(12) **United States Design Patent**  
**Chen**

(10) **Patent No.:** **US D804,537 S**

(45) **Date of Patent:** **\*\* Dec. 5, 2017**

(54) **ROTARY DRUM PUMP**

(71) Applicant: **Po-Yu Chen**, Taichung (TW)

(72) Inventor: **Po-Yu Chen**, Taichung (TW)

(\*\*) Term: **15 Years**

(21) Appl. No.: **29/559,466**

(22) Filed: **Mar. 29, 2016**

(51) **LOC (10) Cl.** ..... **15-02**

(52) **U.S. Cl.**  
USPC ..... **D15/7**

(58) **Field of Classification Search**

USPC ..... D15/7-9; D23/231, 232, 225; 417/60,  
417/235, 265, 321, 355, 358, 363, 359,  
417/410.1, 415-416, 405, 900, 269, 539;  
60/408, 412; 184/26-37; 415/140-147;  
123/495, 509; 137/565.34  
CPC ..... F02M 37/04; F02M 37/14; F04B 53/92;  
F04B 1/005

See application file for complete search history.

(56) **References Cited**

**U.S. PATENT DOCUMENTS**

3,011,750 A \* 12/1961 Johnson ..... B21D 41/045  
100/270  
D281,609 S \* 12/1985 Herbst ..... D15/9

D298,754 S \* 11/1988 Broeils ..... D15/79  
D784,415 S \* 4/2017 Chen ..... D15/7  
D784,416 S \* 4/2017 Chen ..... D15/7

\* cited by examiner

*Primary Examiner* — Ralf Seifert

(57) **CLAIM**

The ornamental design for a rotary drum pump, as shown and described.

**DESCRIPTION**

FIG. 1 is a perspective view of a rotary drum pump showing my new design;

FIG. 2 is a left side view thereof;

FIG. 3 is a right side view thereof;

FIG. 4 is a front view thereof;

FIG. 5 is a rear view thereof;

FIG. 6 is a top plan view thereof;

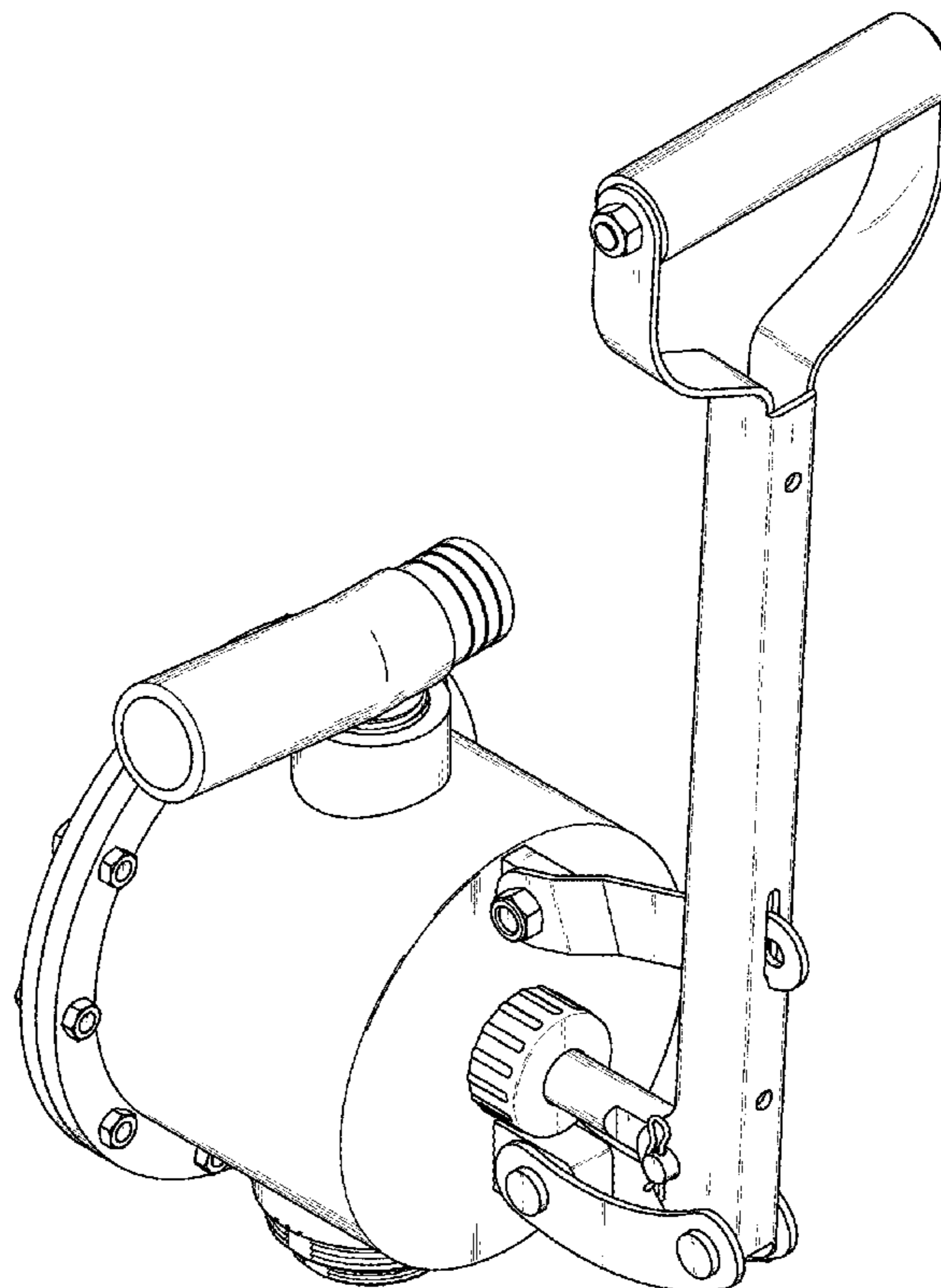
FIG. 7 is a bottom plan view thereof; and,

FIG. 8 is an alternate perspective view thereof showing my new design in an exemplary environment.

The broken lines showing of pipe, hose, and fitting in FIG. 8 illustrate the environment of the claimed design and form no part thereof.

The broken lines are included for the purpose of illustrating portions of the rotary drum pump that form no part of the claimed design.

**1 Claim, 7 Drawing Sheets**



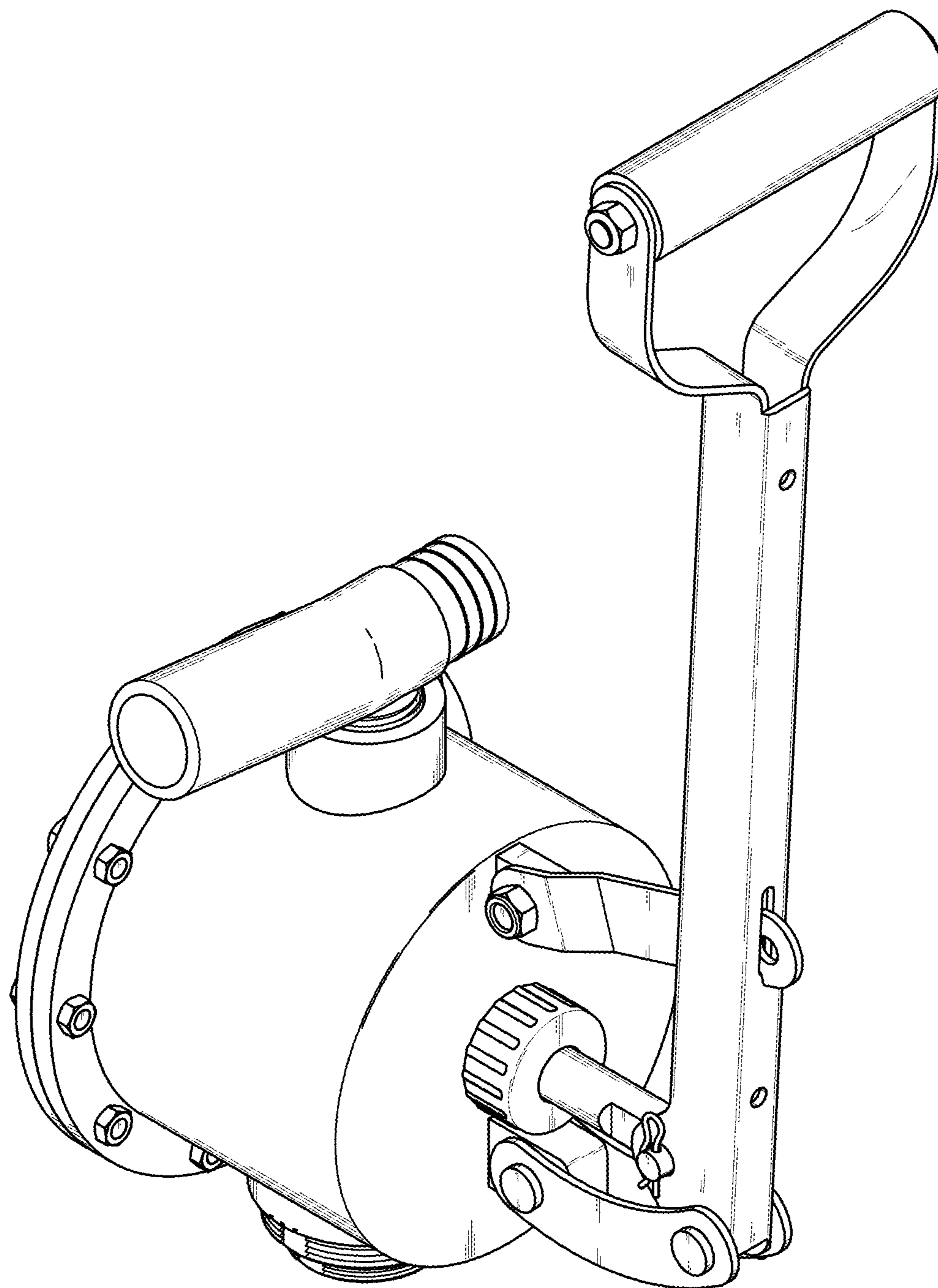


FIG. 1

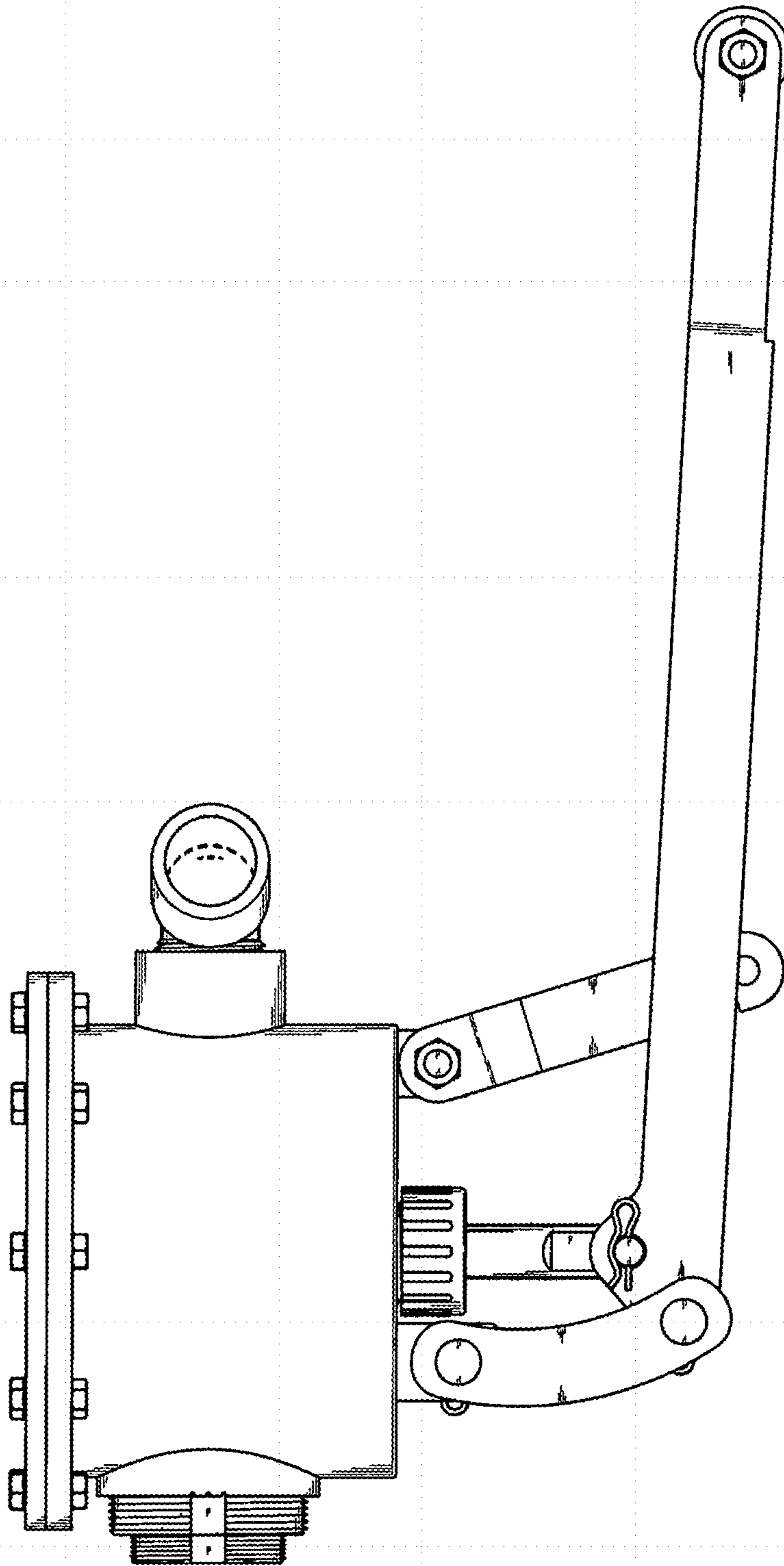


FIG. 2

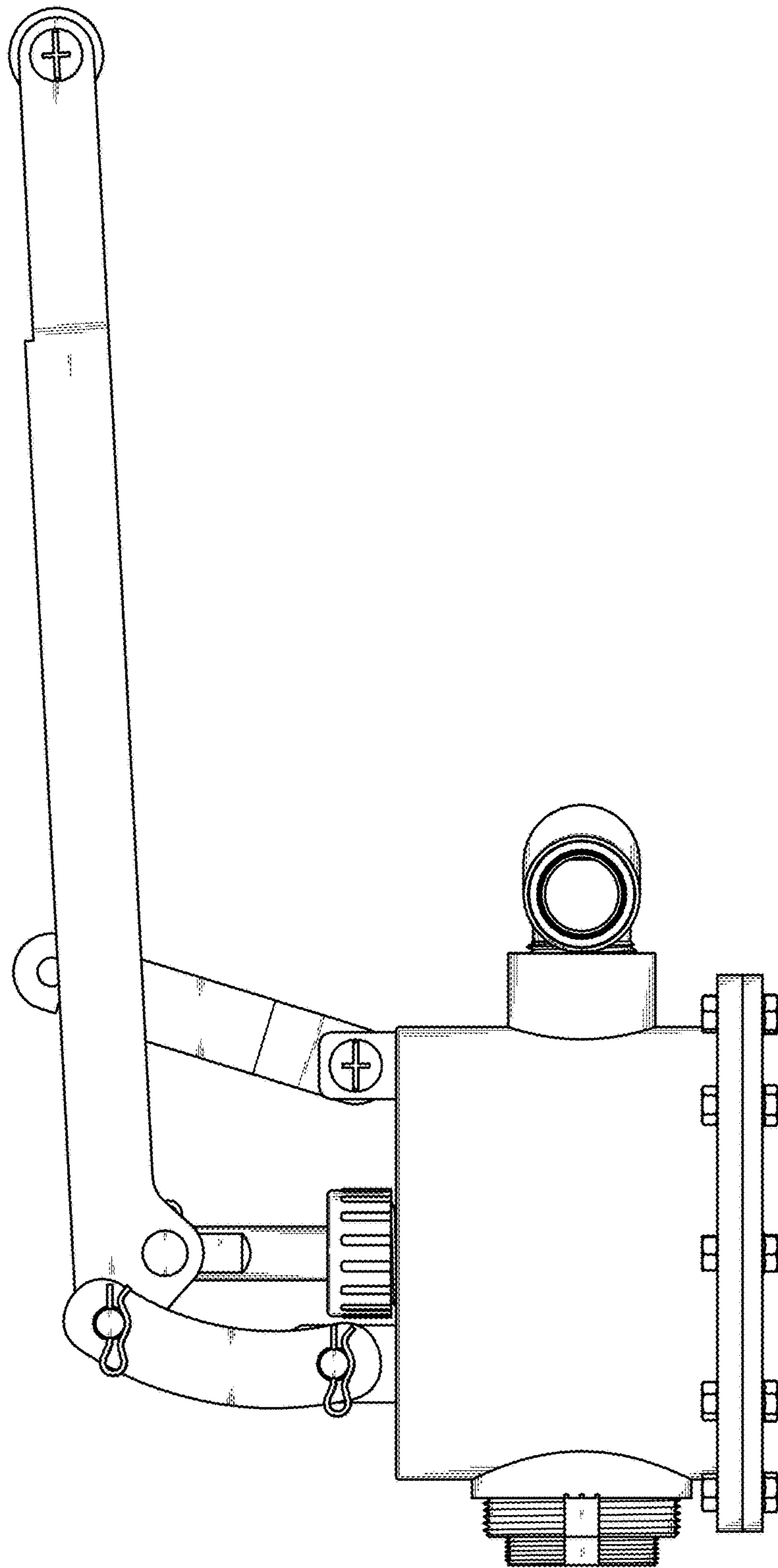


FIG. 3

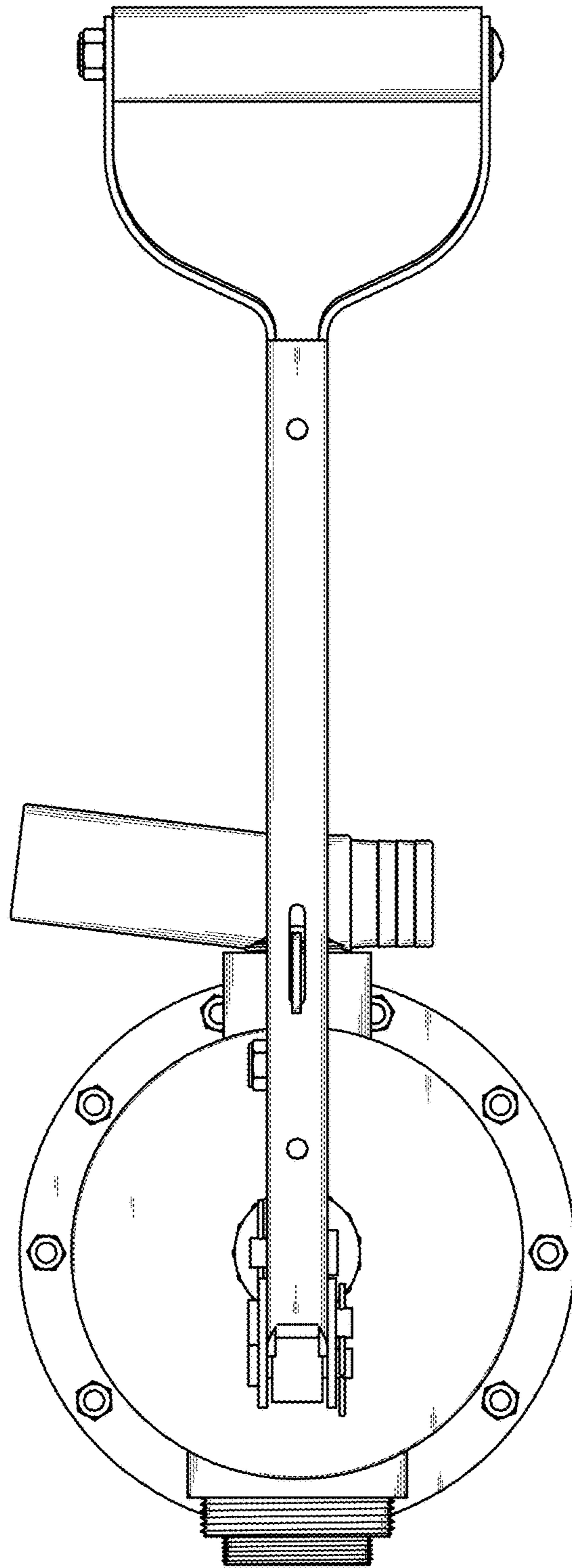


FIG. 4

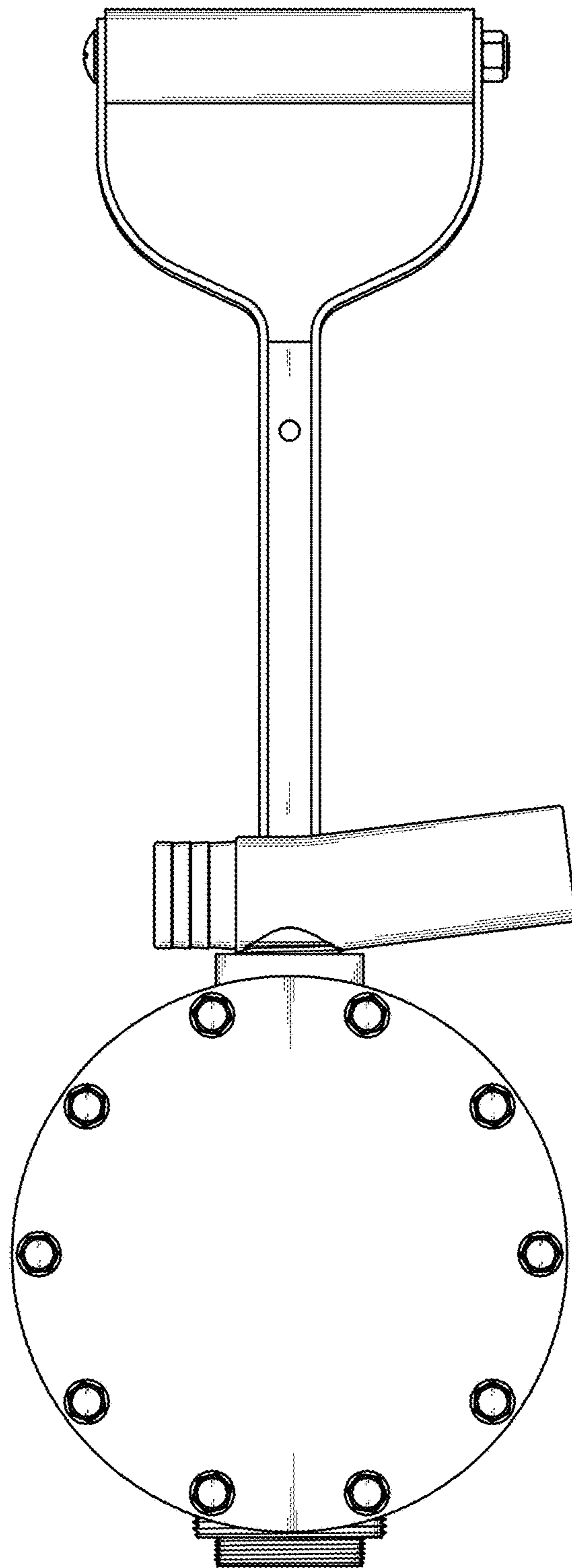


FIG. 5

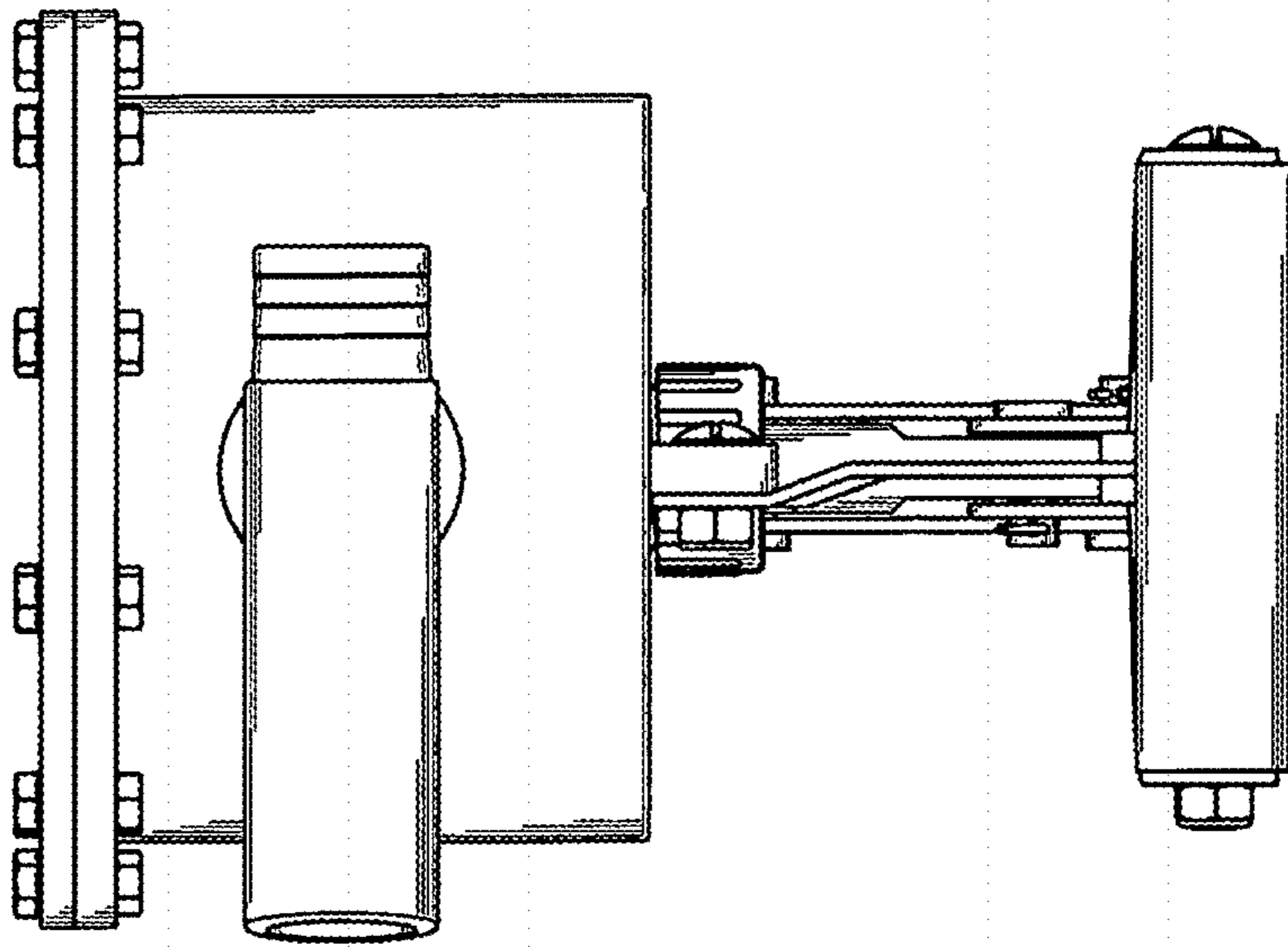


FIG. 6

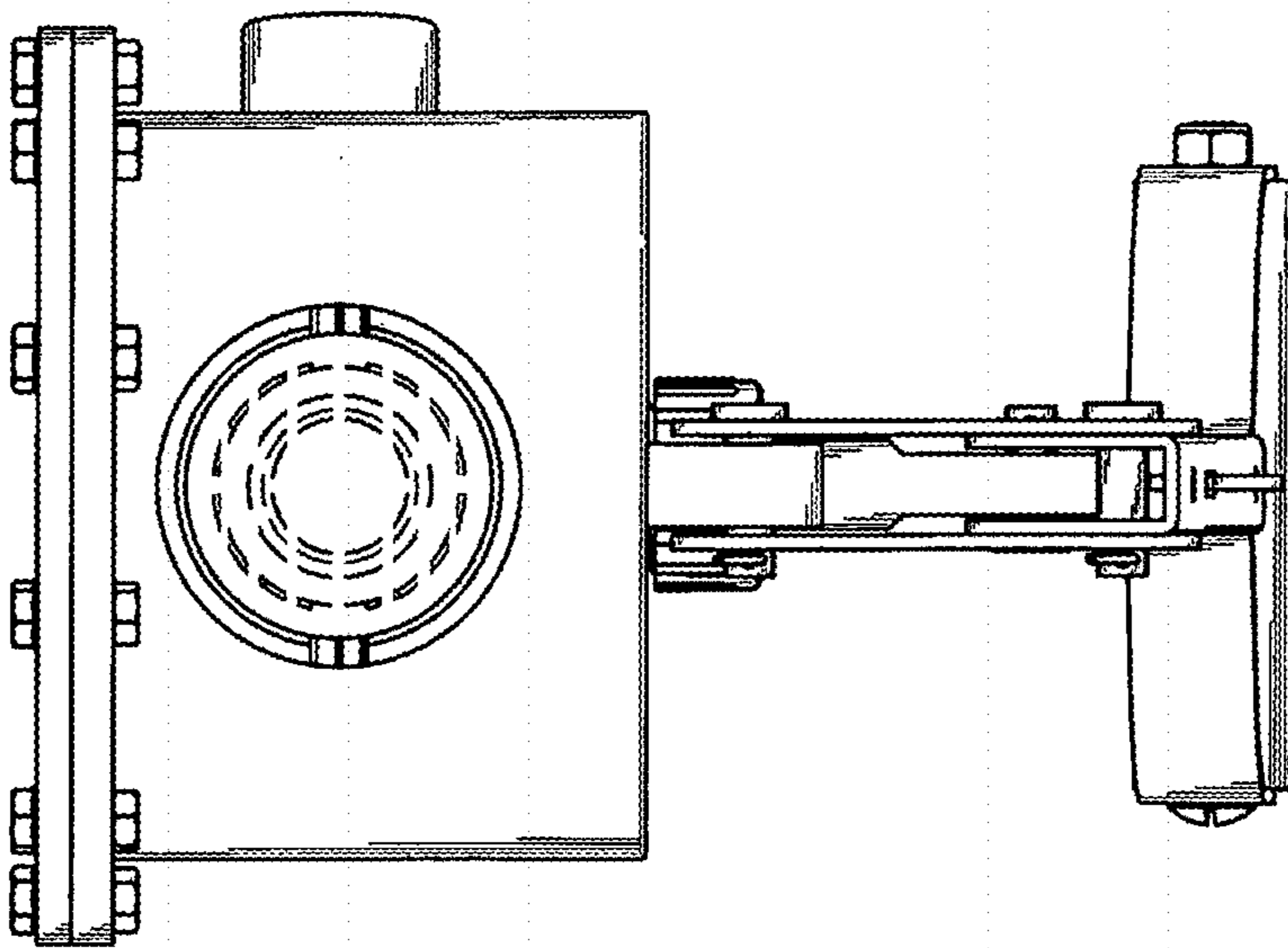


FIG. 7

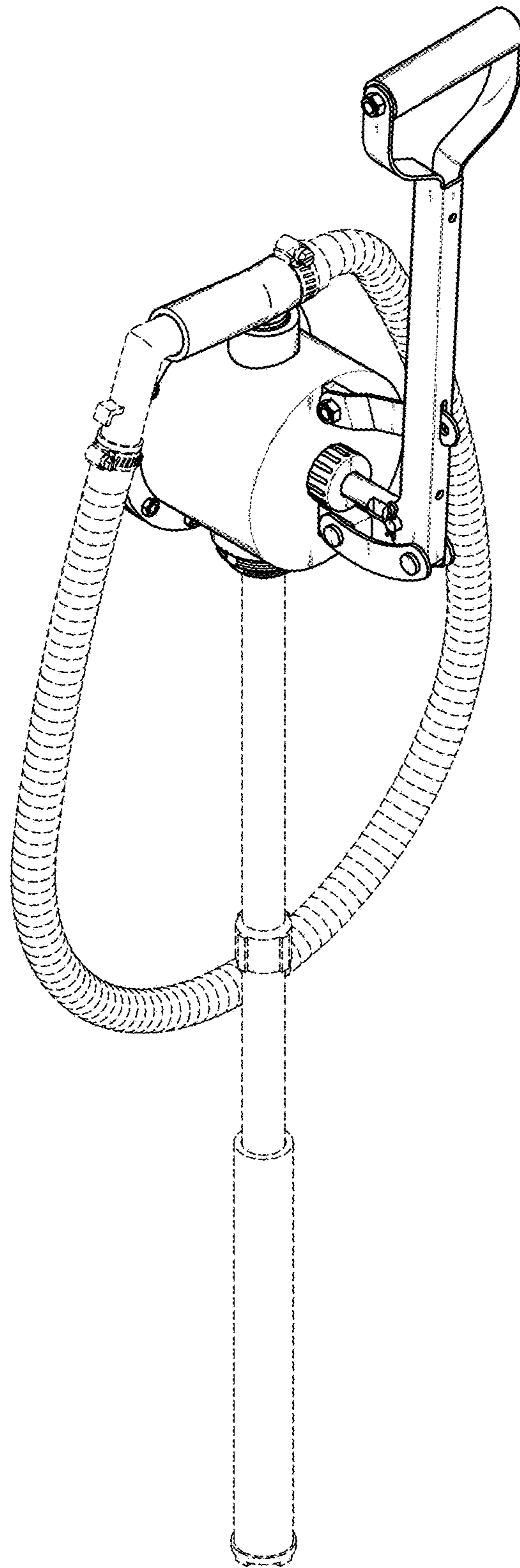


FIG. 8