



US00D804536S

(12) **United States Design Patent**  
**Bao et al.**

(10) **Patent No.:** **US D804,536 S**  
(45) **Date of Patent:** **\*\* Dec. 5, 2017**

(54) **ELECTRIC PUMP**

(71) Applicant: **Zhejiang Sanhua Automotive Components Co., LTD.**, Hangzhou, Zhejiang (CN)

(72) Inventors: **Junfeng Bao**, Zhejiang (CN); **Zhiping Huang**, Zhejiang (CN); **Zhongqi Wu**, Zhejiang (CN); **Jupin Zheng**, Zhejiang (CN)

(73) Assignee: **Hangzhou Sanhua Research Institute Co., Ltd.**, Hangzhou, Zhenjian (CN)

(\*\*) Term: **15 Years**

(21) Appl. No.: **29/557,157**

(22) Filed: **Mar. 7, 2016**

(30) **Foreign Application Priority Data**

Sep. 30, 2015 (CN) ..... 2015 3 0384004

(51) **LOC (10) Cl.** ..... **15-02**

(52) **U.S. Cl.**

USPC ..... **D15/7**

(58) **Field of Classification Search**

USPC ..... D15/7-9; D23/231, 232, 225; 417/60, 417/235, 265, 321, 355, 358, 363, 359, 417/410.1, 415-416, 405, 900, 269, 539; 60/408, 412; 184/26-37; 415/140-147; 123/495, 509; 137/565.34

CPC ..... F02M 37/04; F02M 37/14; F04B 53/92; F04B 1/005; F04D 13/06; F04D 29/22; F04D 29/046; F04D 29/2266

See application file for complete search history.

(56) **References Cited**

**U.S. PATENT DOCUMENTS**

D246,714 S \* 12/1977 Horvath ..... D15/8  
D420,011 S \* 2/2000 Tsai ..... D15/7

D435,049 S \* 12/2000 Tsai ..... D15/7  
D445,804 S \* 7/2001 Tsai ..... D15/7  
D479,722 S \* 9/2003 Poon ..... D15/7  
D486,159 S \* 2/2004 Poon ..... D15/7  
D487,752 S \* 3/2004 Tsai ..... D15/7  
D553,646 S \* 10/2007 Wu ..... D15/7  
D559,269 S \* 1/2008 Wu ..... D15/7  
D771,713 S \* 11/2016 Ye ..... D15/7

\* cited by examiner

*Primary Examiner* — Ralf Seifert

(74) *Attorney, Agent, or Firm* — Boyle Fredrickson, S.C.

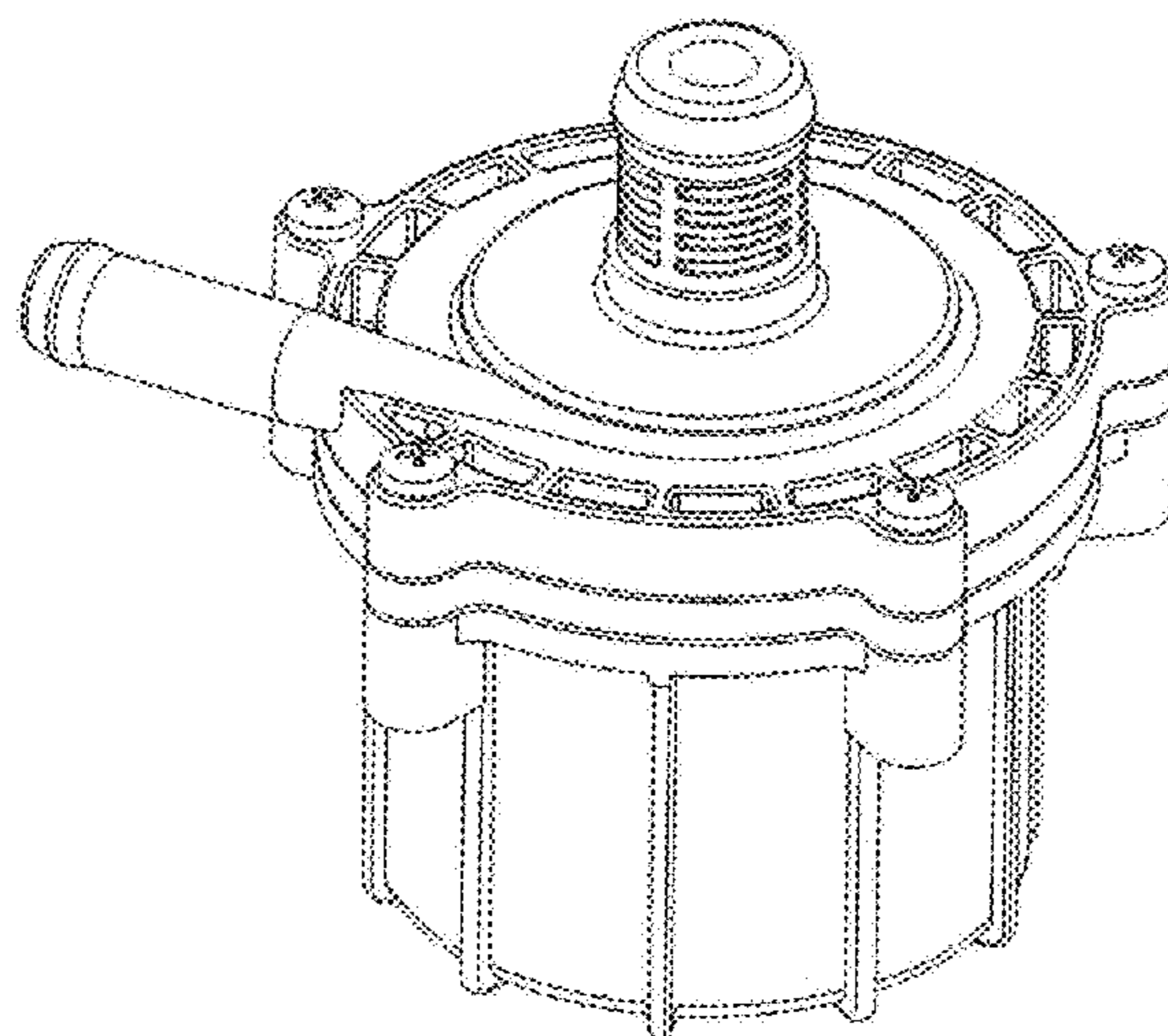
(57) **CLAIM**

The ornamental design for an electric pump, substantially as shown and described.

**DESCRIPTION**

FIG. 1 is a front view of an electric pump according to the present application;  
FIG. 2 is a rear view of the electric pump according to the present application;  
FIG. 3 is a left view of the electric pump according to the present application;  
FIG. 4 is a right view of the electric pump according to the present application;  
FIG. 5 is a top view of the electric pump according to the present application;  
FIG. 6 is a bottom view of the electric pump according to the present application; and,  
FIG. 7 is a perspective view of the electric pump according to the present application.  
The broken lines are included for the purpose of illustrating portions of the electric pump that form no part of the claimed design.

**1 Claim, 7 Drawing Sheets**



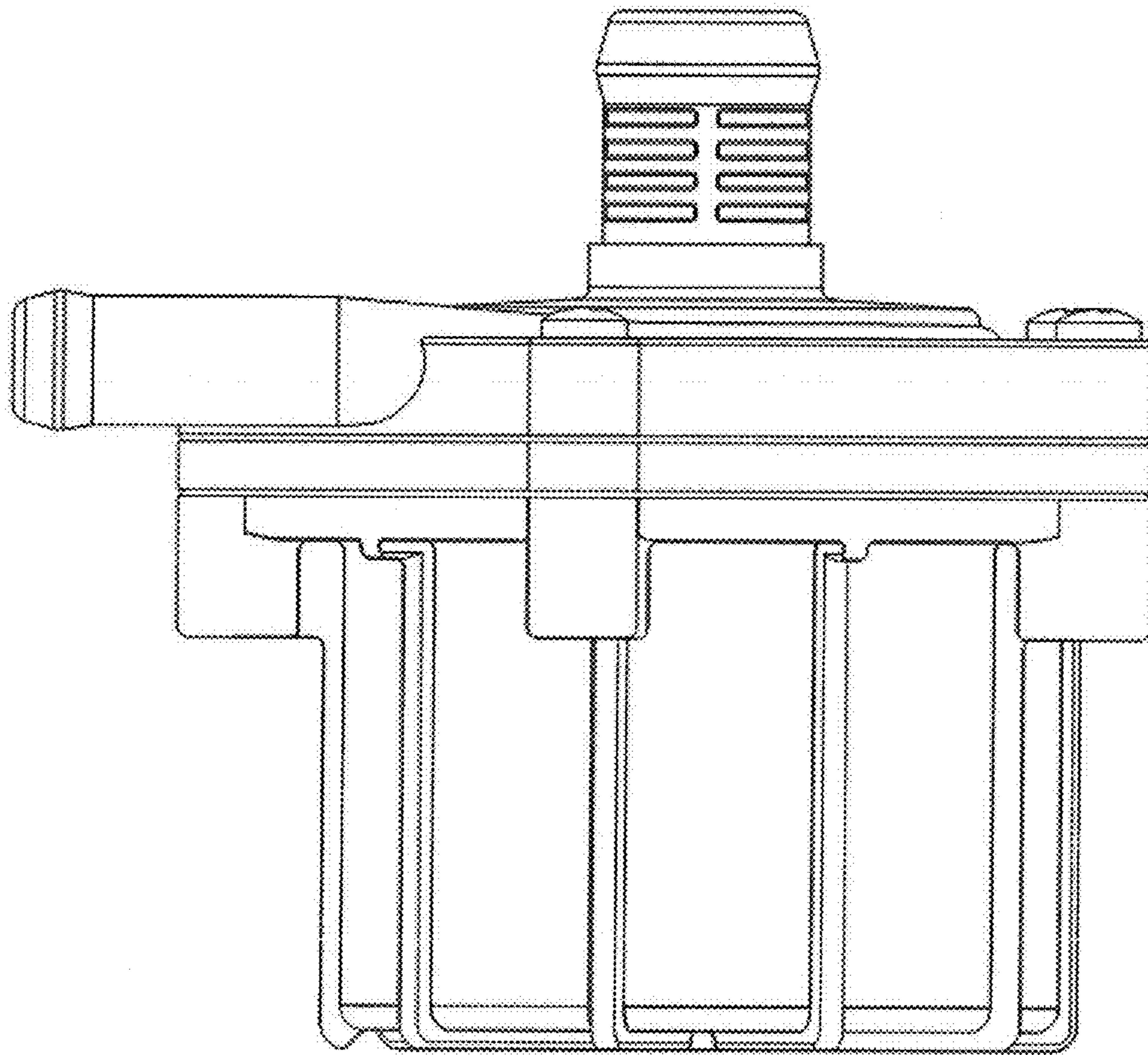


Figure 1

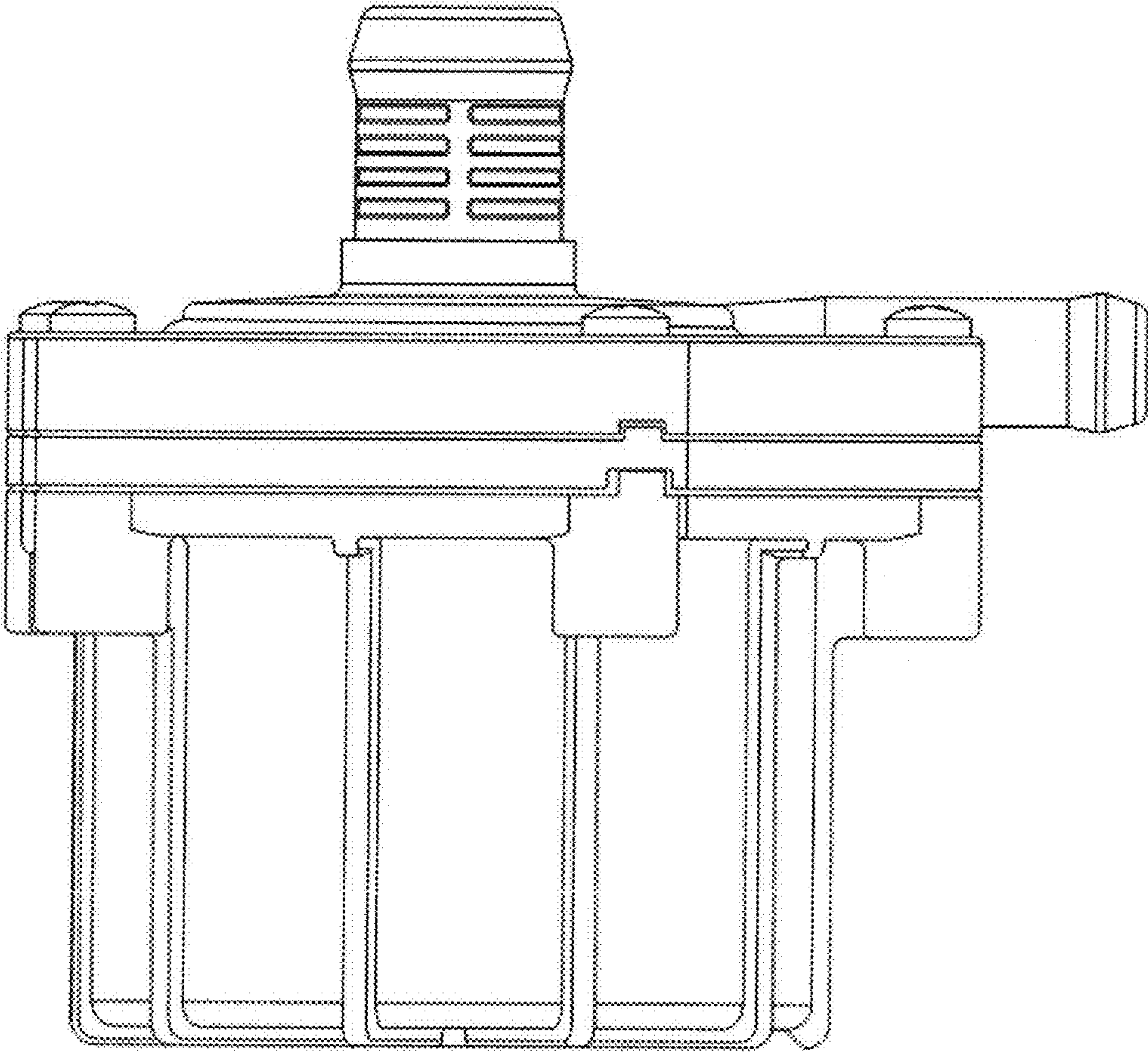


Figure 2

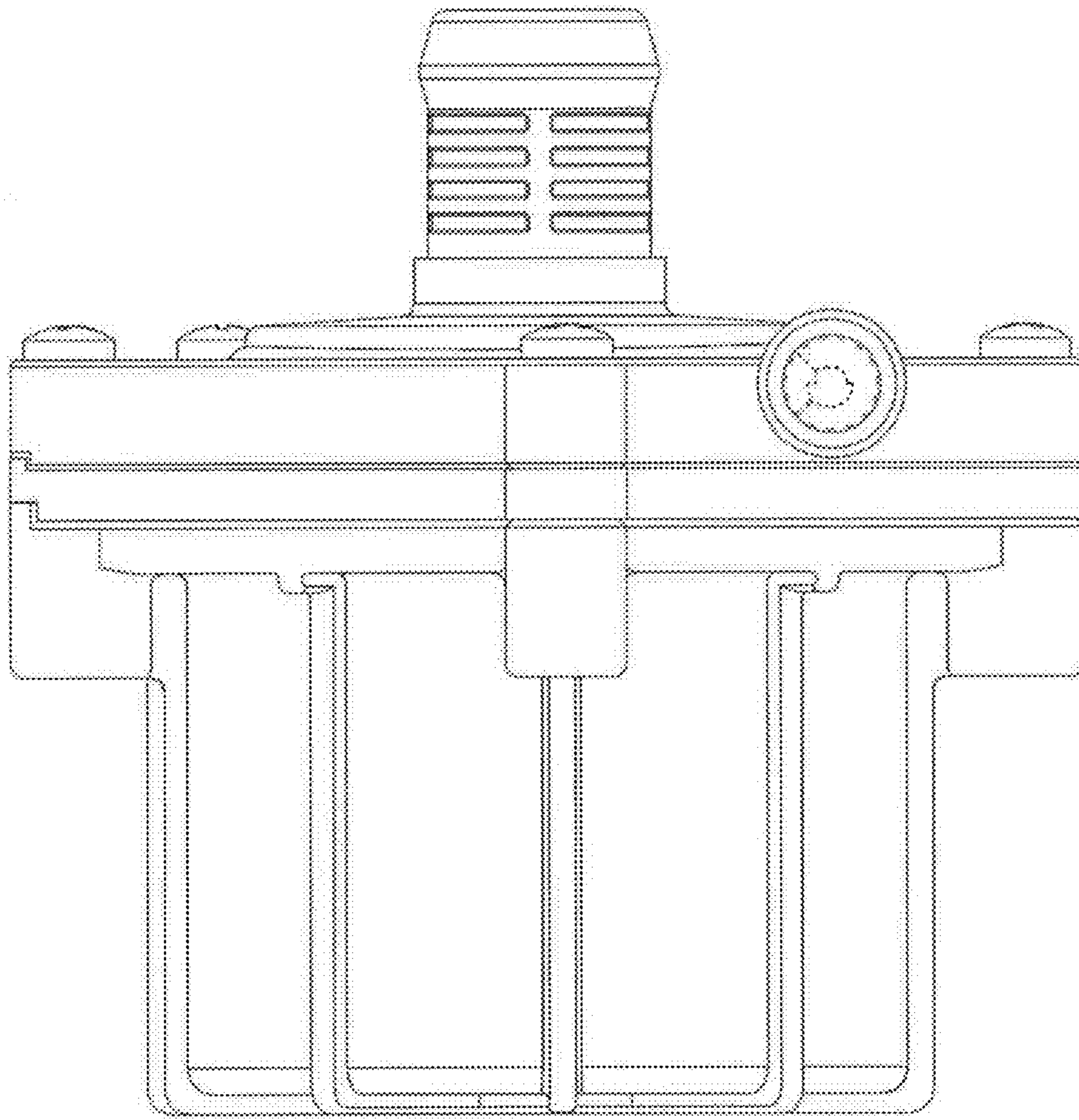


Figure 3

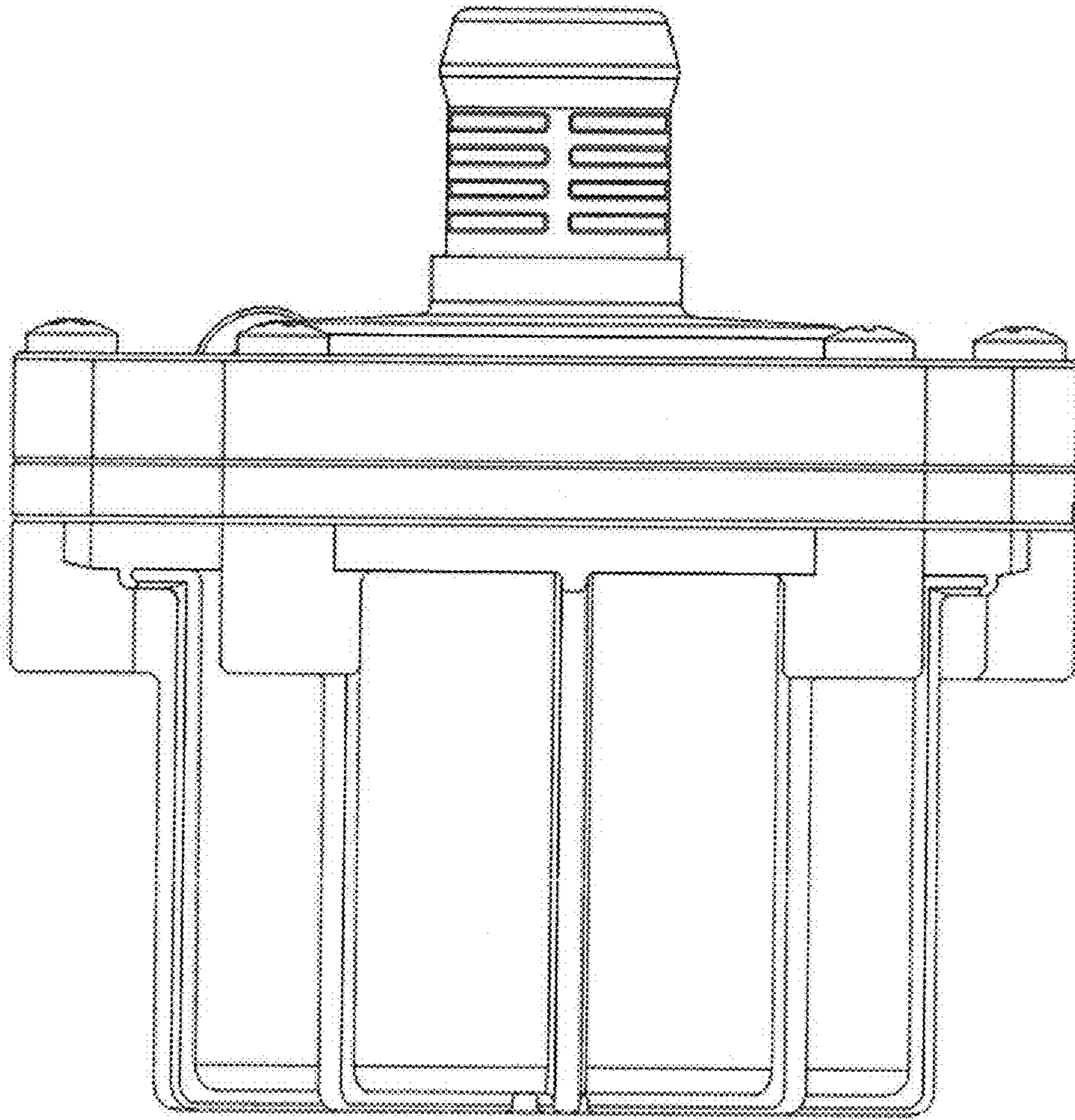


Figure 4

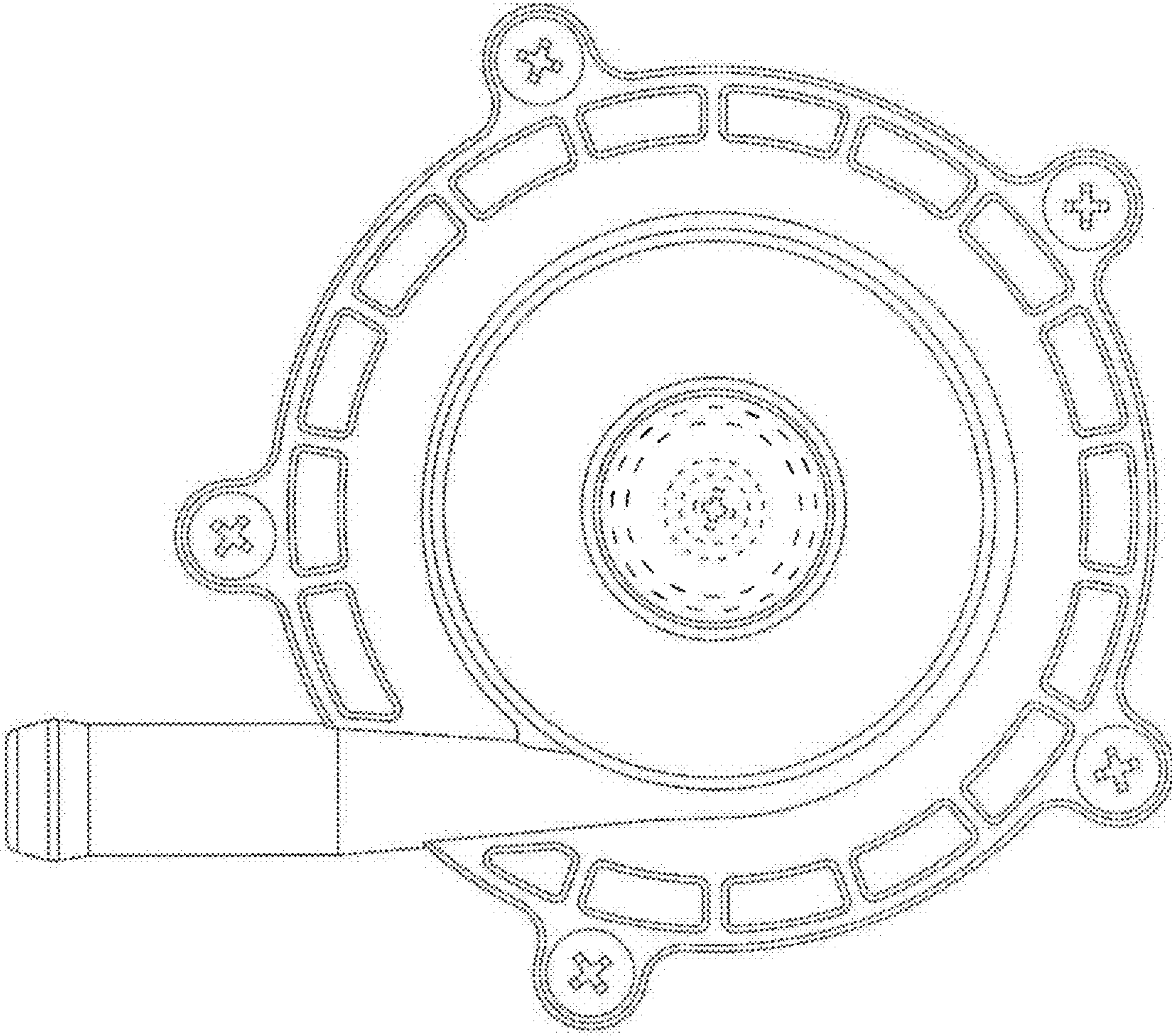


Figure 5

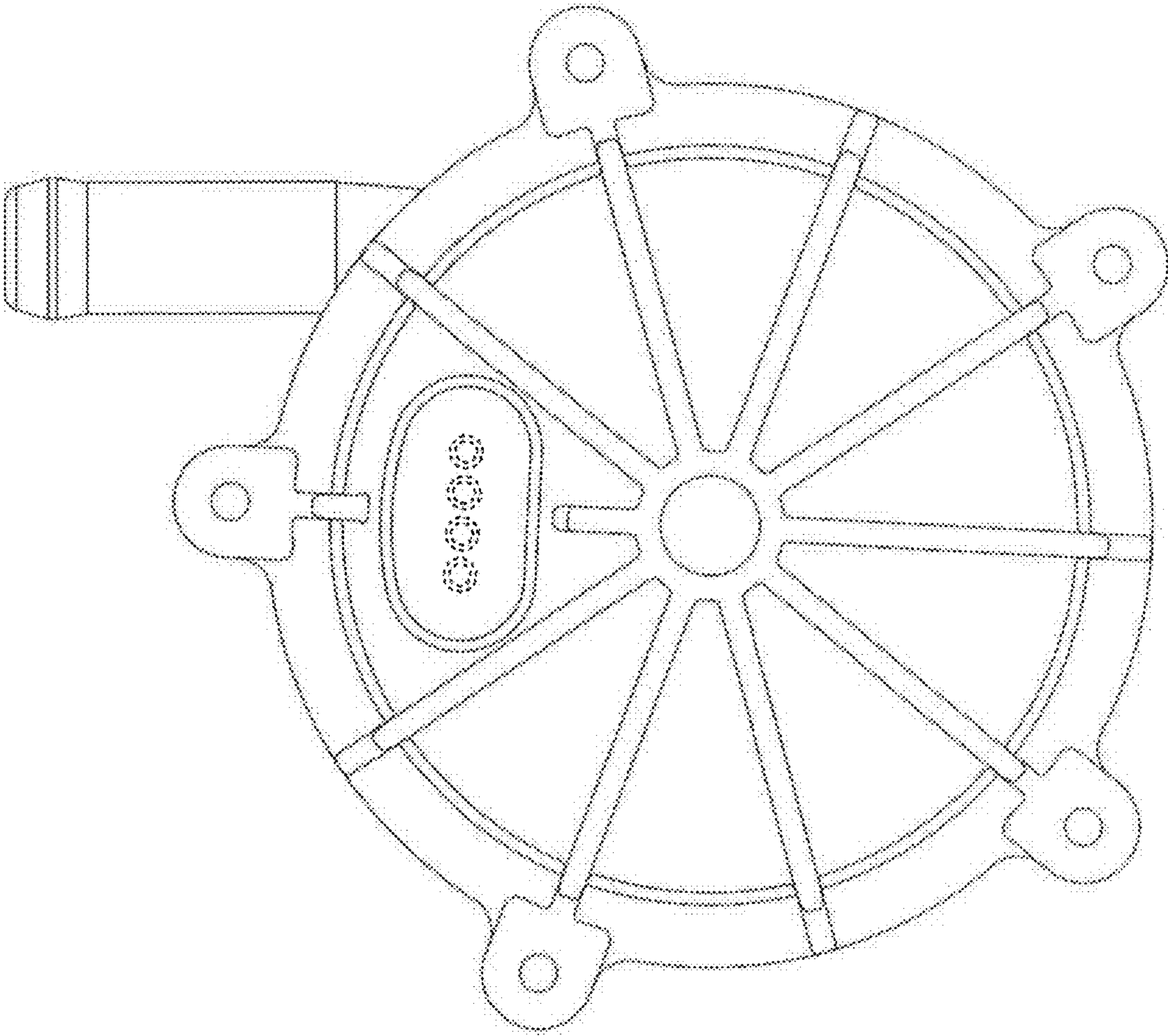


Figure 6

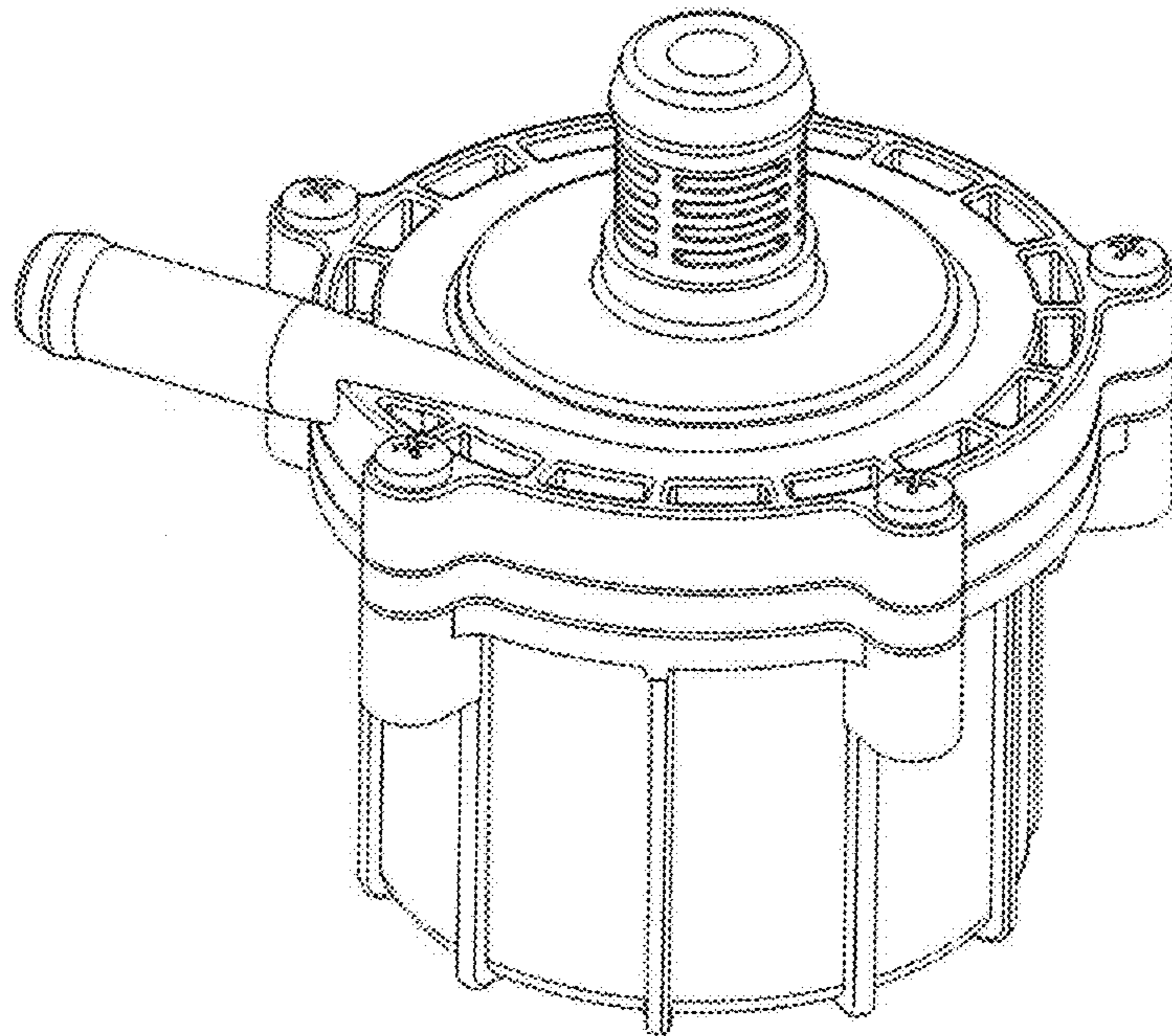


Figure 7