



US00D804534S

(12) **United States Design Patent**
Gardner et al.

(10) **Patent No.:** **US D804,534 S**

(45) **Date of Patent:** **** Dec. 5, 2017**

(54) **MEDIA PLAYER**

(71) Applicant: **BrightSign LLC**, Los Gatos, CA (US)

(72) Inventors: **Robert Gardner**, Los Gatos, CA (US);
John Rhoadarmer, Mountain View,
CA (US); **Dan Harden**, Palo Alto, CA
(US); **Ari Turgel**, San Francisco, CA
(US); **Christoph Kuppert**, Bergisch
Gladbach (DE); **Jeff Hastings**, Los
Altos, CA (US)

(73) Assignee: **BrightSign LLC**, Los Gatos, CA (US)

(**) Term: **15 Years**

(21) Appl. No.: **29/583,107**

(22) Filed: **Nov. 2, 2016**

(51) **LOC (10) Cl.** **14-03**

(52) **U.S. Cl.**
USPC **D14/496; D14/203.3**

(58) **Field of Classification Search**
USPC D14/432, 434, 447, 357, 299, 496,
D14/203.1–203.8, 149, 155, 157, 188,
D14/209.1, 217; D21/324, 328, 332, 333;
361/600, 679–686; 320/114, 115;
345/156–161, 905, 901; 439/529, 534,
439/929; 455/556, 556.2, 557
CPC .. G06F 1/16; G06F 5/00; H04N 5/225; H04N
5/40

See application file for complete search history.

(56) **References Cited**

U.S. PATENT DOCUMENTS

D433,010 S * 10/2000 Yamamizu D14/188
D534,545 S * 1/2007 Leija D14/496

D589,876 S * 4/2009 Hong D13/108
D633,319 S * 3/2011 Sauer D6/570
D647,920 S * 11/2011 Luo D14/203.3
D653,233 S * 1/2012 Hofer D14/203.3
D657,352 S * 4/2012 Tanaka D14/138 AD
8,212,779 B2 * 7/2012 Chiang G06F 1/1626
345/156
D684,193 S * 6/2013 Maier D14/496
D684,594 S * 6/2013 Maier D14/496
D702,259 S * 4/2014 Onoue D14/496
9,730,315 B1 * 8/2017 Razaghi H05K 1/0275
2012/0047374 A1 * 2/2012 Klum G06F 21/86
713/192

* cited by examiner

Primary Examiner — Prabhakar Deshmukh

(74) *Attorney, Agent, or Firm* — Goodwin Procter LLP

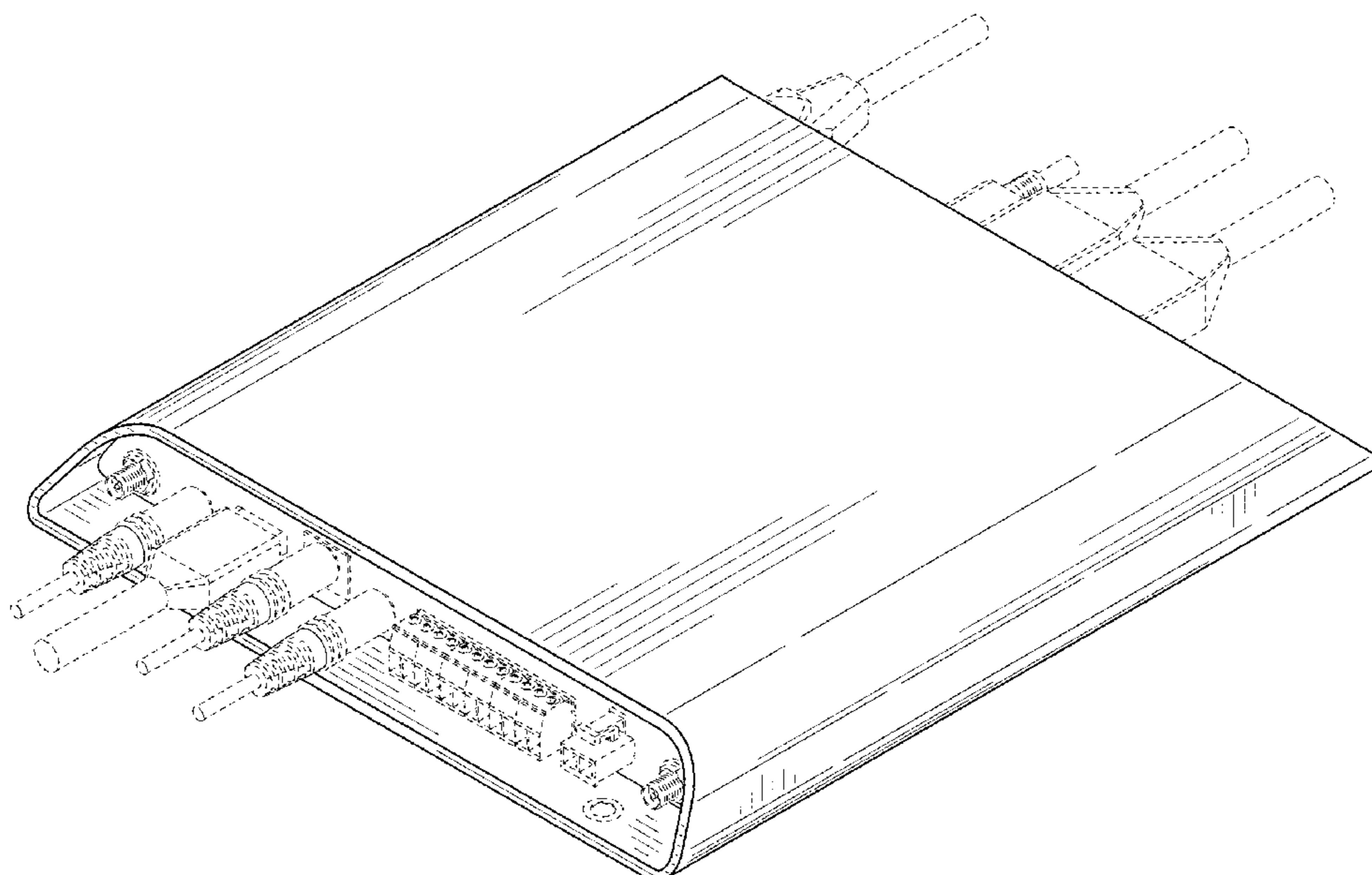
(57) **CLAIM**

The ornamental design for a media player, as shown and described.

DESCRIPTION

FIG. 1 is a top front perspective view of a media player;
FIG. 2 is a front view of the media player;
FIG. 3 is a rear view of the media player;
FIG. 4 is a right side view of the media player;
FIG. 5 is a left side view of the media player;
FIG. 6 is a top view of the media player;
FIG. 7 is a bottom view of the media player; and,
FIG. 8 is a bottom rear perspective view of the media player.
The broken lines shown in the drawings of a media player
are for illustrative purposes only and form no part of the
claimed design.

1 Claim, 6 Drawing Sheets



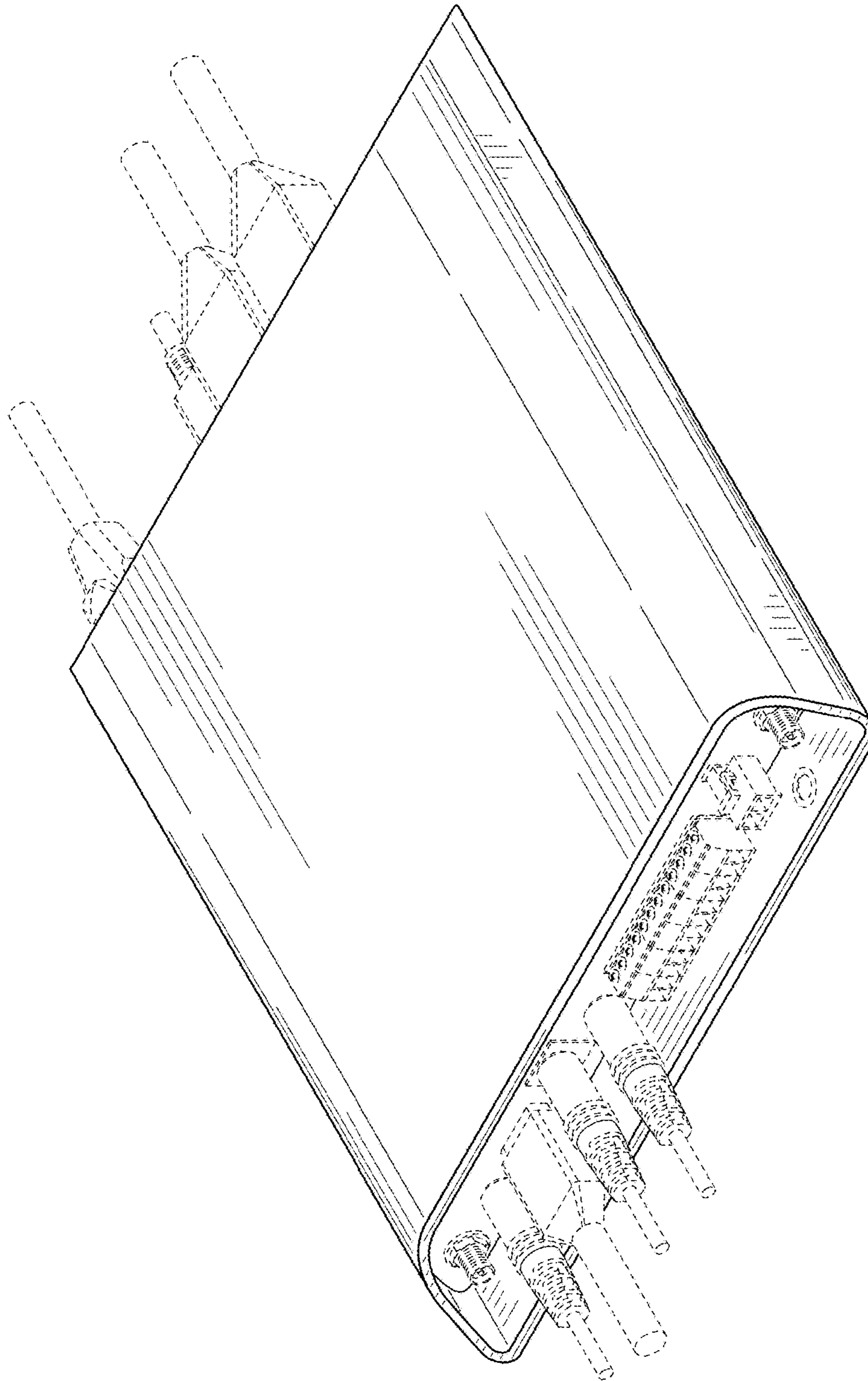


FIG. 1

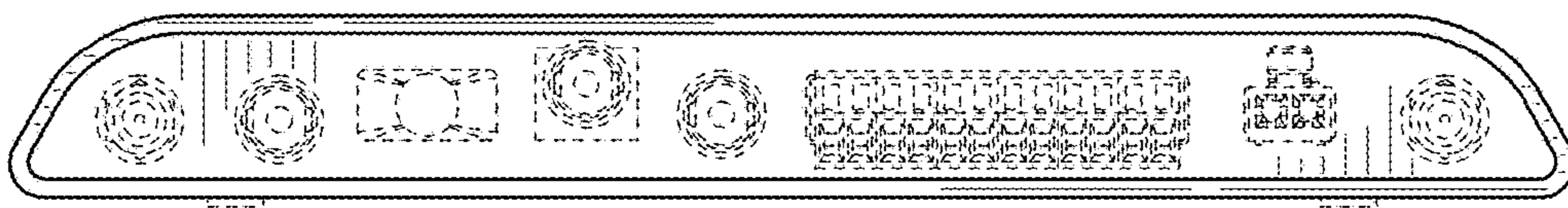


FIG. 2

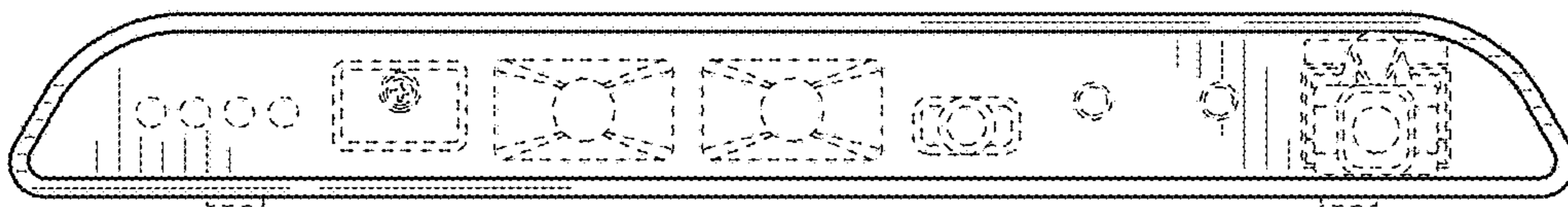


FIG. 3

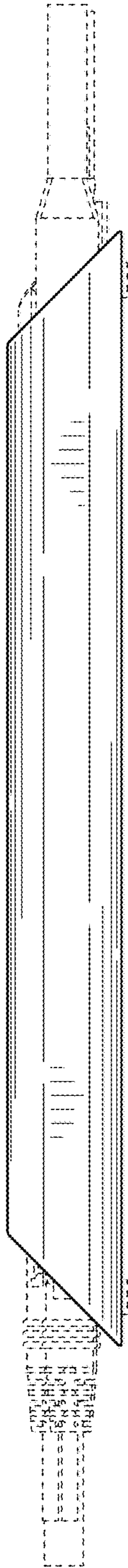


FIG. 4

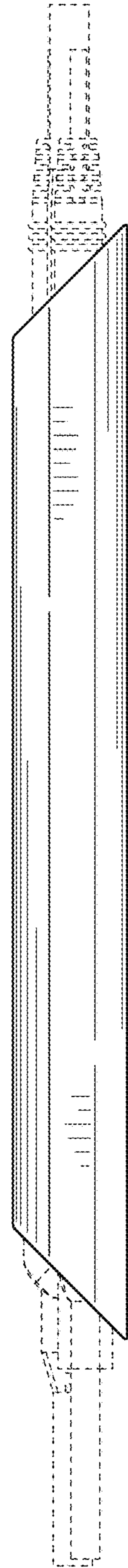


FIG. 5

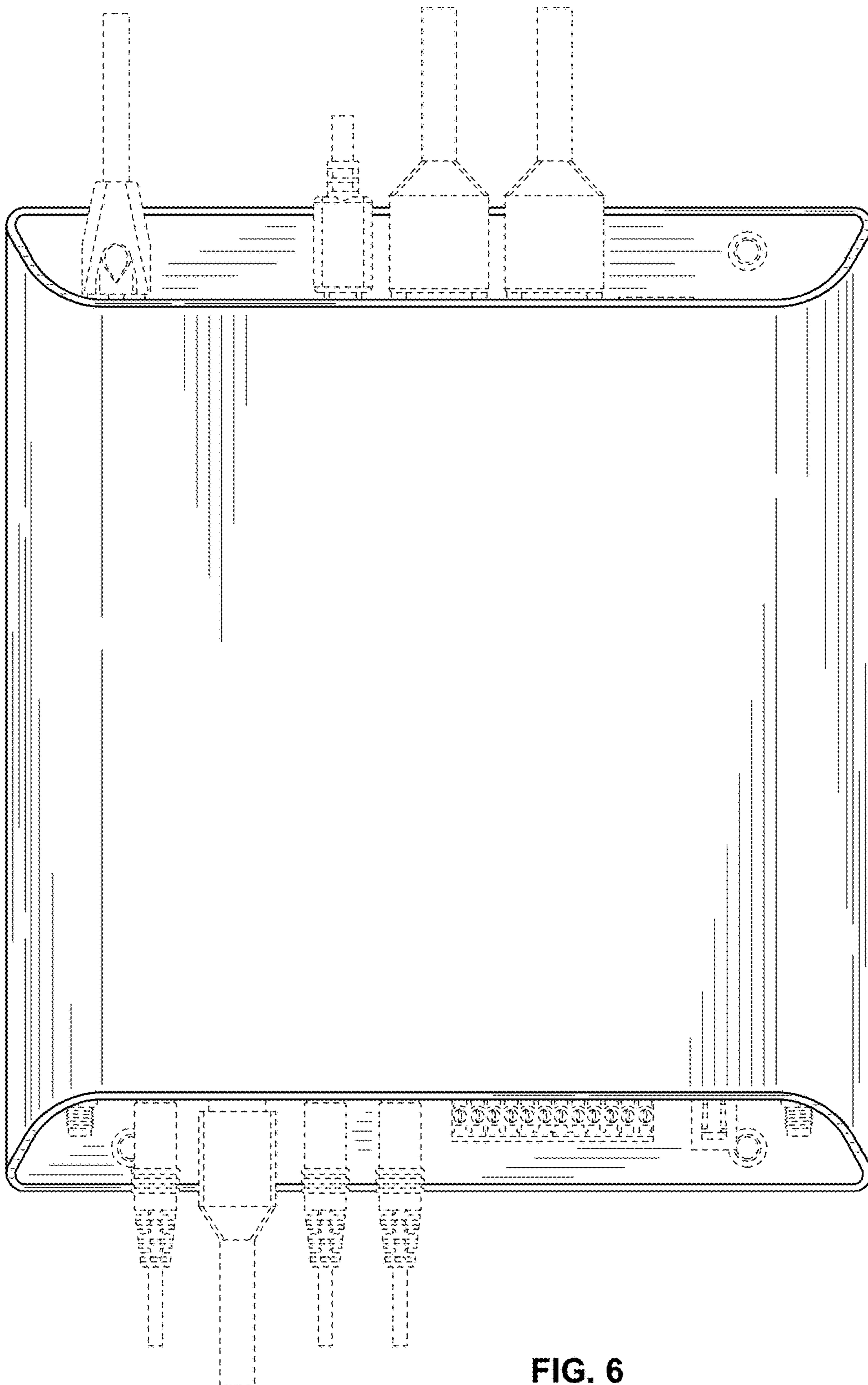


FIG. 6

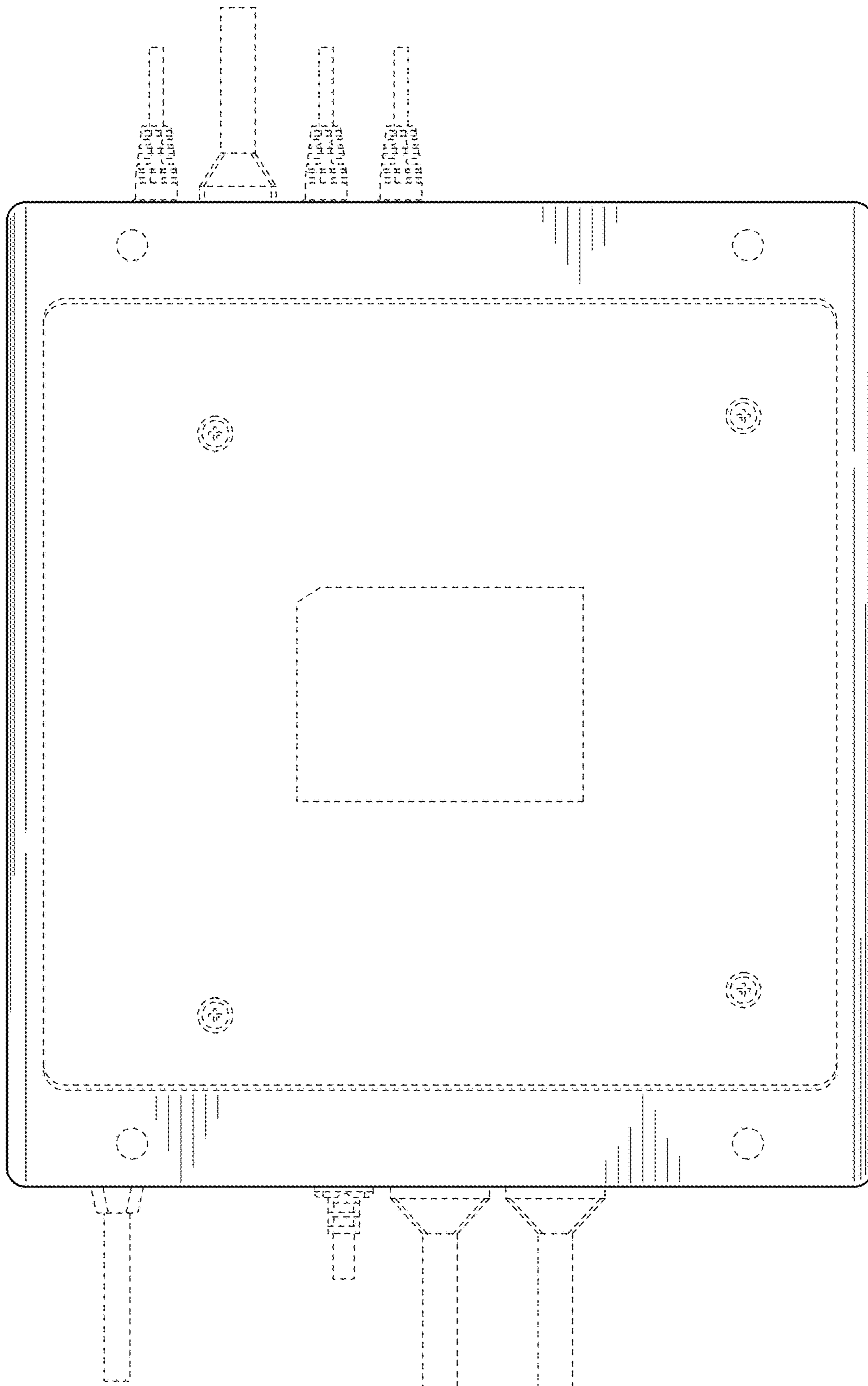


FIG. 7

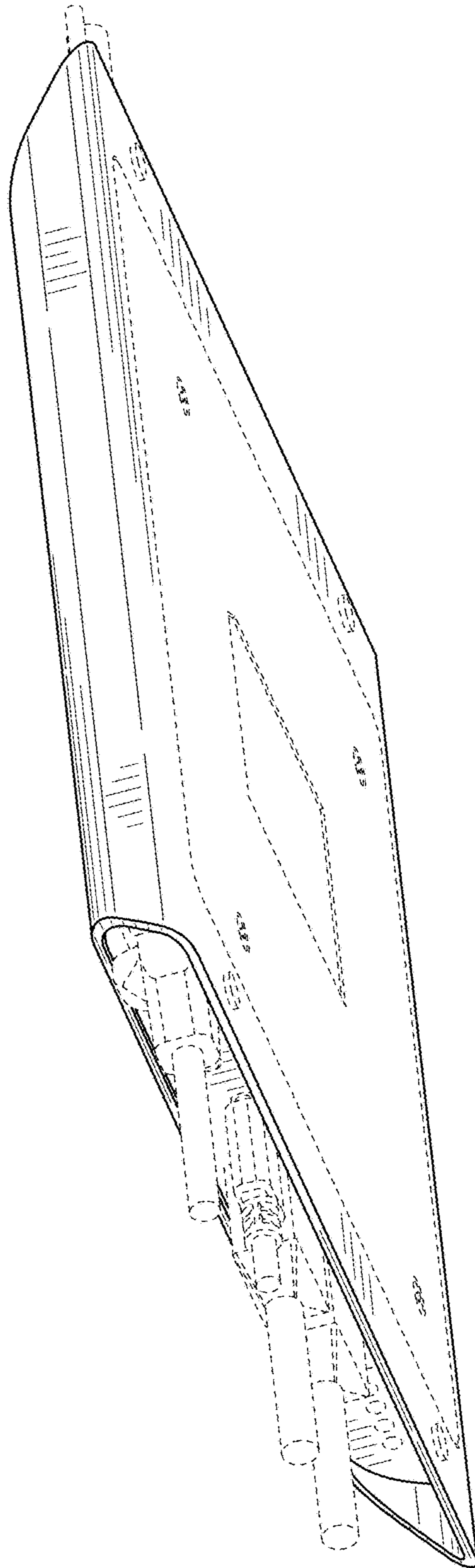


FIG. 8