



US00D804533S

(12) **United States Design Patent** (10) **Patent No.:** **US D804,533 S**  
**Mangum et al.** (45) **Date of Patent:** **\*\* Dec. 5, 2017**

(54) **MEDIA STREAMING DEVICE**

(56) **References Cited**

(71) Applicant: **GOOGLE INC.**, Mountain View, CA (US)

U.S. PATENT DOCUMENTS

(72) Inventors: **Kristen Mangum**, San Mateo, CA (US); **Michael Jon Sundermeyer**, Palo Alto, CA (US); **Micah Thomas Collins**, Mountain View, CA (US); **Kyle Nathen Swen**, San Carlos, CA (US); **David Whetstone**, San Francisco, CA (US); **Sean Missal**, San Francisco, CA (US)

D527,107	S	*	8/2006	Baker	.....	D24/164
D531,159	S	*	10/2006	Park	.....	D14/203.6
7,277,272	B2	*	10/2007	Hsiung	.....	G11B 17/051 361/679.01
D647,917	S	*	11/2011	Voorhees	.....	D14/496
9,131,260	B2	*	9/2015	Klarke	.....	H04N 21/4221
9,286,854	B2	*	3/2016	Klarke	.....	G06F 1/263
D771,142	S	*	11/2016	Langhammer	.....	D14/203.6
9,510,035	B2	*	11/2016	Rao	.....	H04N 7/17318
D775,233	S	*	12/2016	Beck	.....	D14/203.6
9,560,421	B2	*	1/2017	Lim	.....	H04N 21/631
9,680,902	B2	*	6/2017	Yu	.....	H04L 65/607

(73) Assignee: **GOOGLE LLC**, Mountain View, CA (US)

\* cited by examiner

(\*\*) Term: **15 Years**

*Primary Examiner* — Prabhakar G Deshmukh  
(74) *Attorney, Agent, or Firm* — Brake Hughes Bellermann LLP

(21) Appl. No.: **29/579,895**

(22) Filed: **Oct. 4, 2016**

(57) **CLAIM**

(51) **LOC (10) Cl.** ..... **14-03**

The ornamental design for a media streaming device, as shown and described.

(52) **U.S. Cl.**

USPC ..... **D14/496**; D14/203.6

**DESCRIPTION**

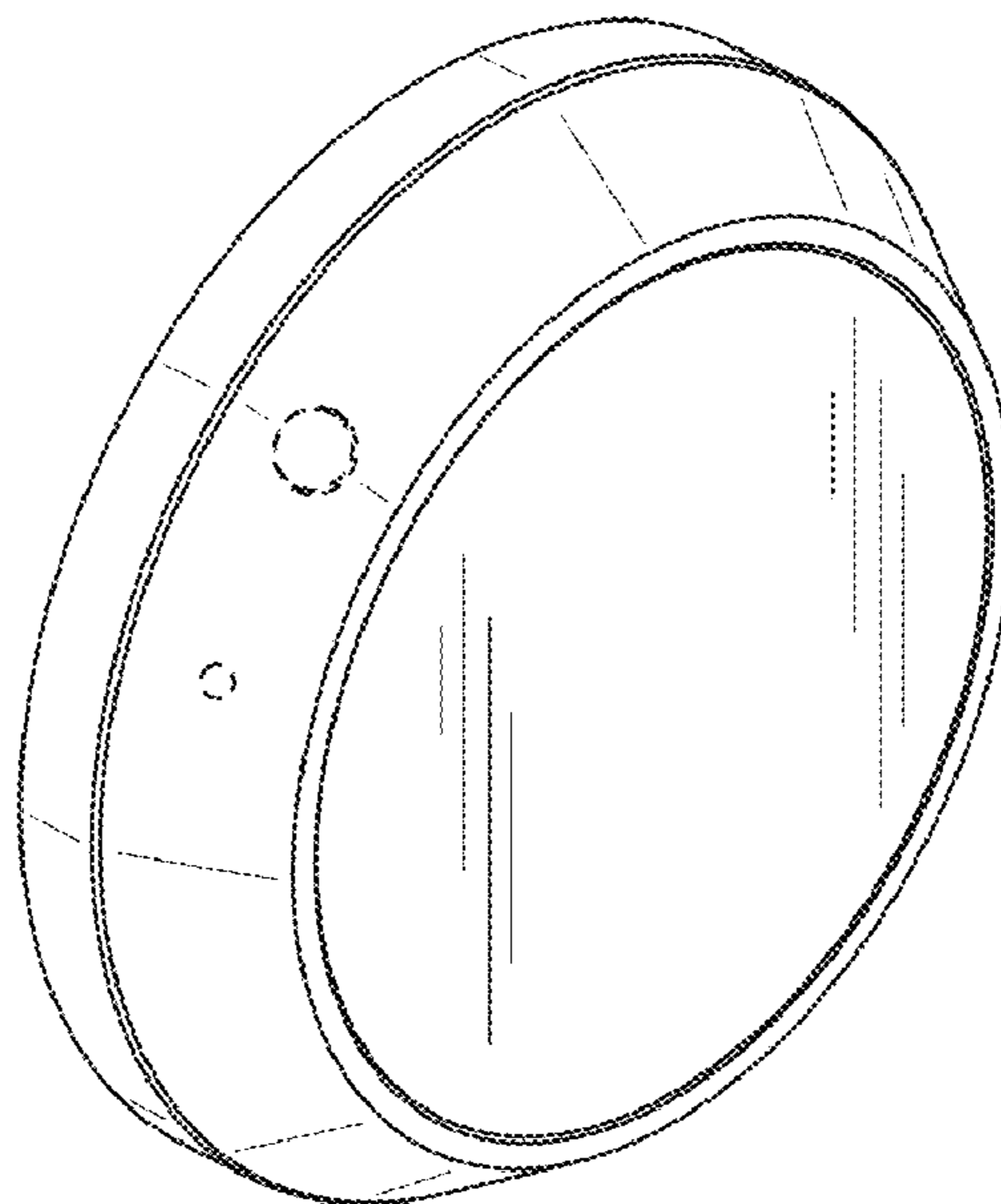
(58) **Field of Classification Search**

USPC ..... D14/432, 434, 447, 357, 299, 496, D14/203.1–203.8, 149.155, 157, 188, D14/209.1, 217; D21/324, 328, 332, 333; 361/600, 679–686; 320/114, 115; 345/156–161, 905, 901; 439/529, 534, 439/929; 455/556, 556.2, 557; 348/14.01–14.1, 211.12, 211.13; 386/235.2, 239; 715/751, 753; 725/143, 725/151, 153, 135; 709/204, 211, 217  
CPC .... G06F 1/16; G06F 5/00; G06F 3/00; H04N 5/225; H04N 5/40; G05F 3/048

FIG. 1 is a front perspective view of a media streaming device showing our new design; FIG. 2 is a top plan view thereof; FIG. 3 is a bottom plan view thereof; FIG. 4 is a left side elevational view thereof; FIG. 5 is a right side elevational view thereof; FIG. 6 is a front elevational view thereof; and, FIG. 7 is a rear elevational view thereof. The broken lines illustrate unclaimed portions and form no part of the claimed design.

See application file for complete search history.

**1 Claim, 7 Drawing Sheets**



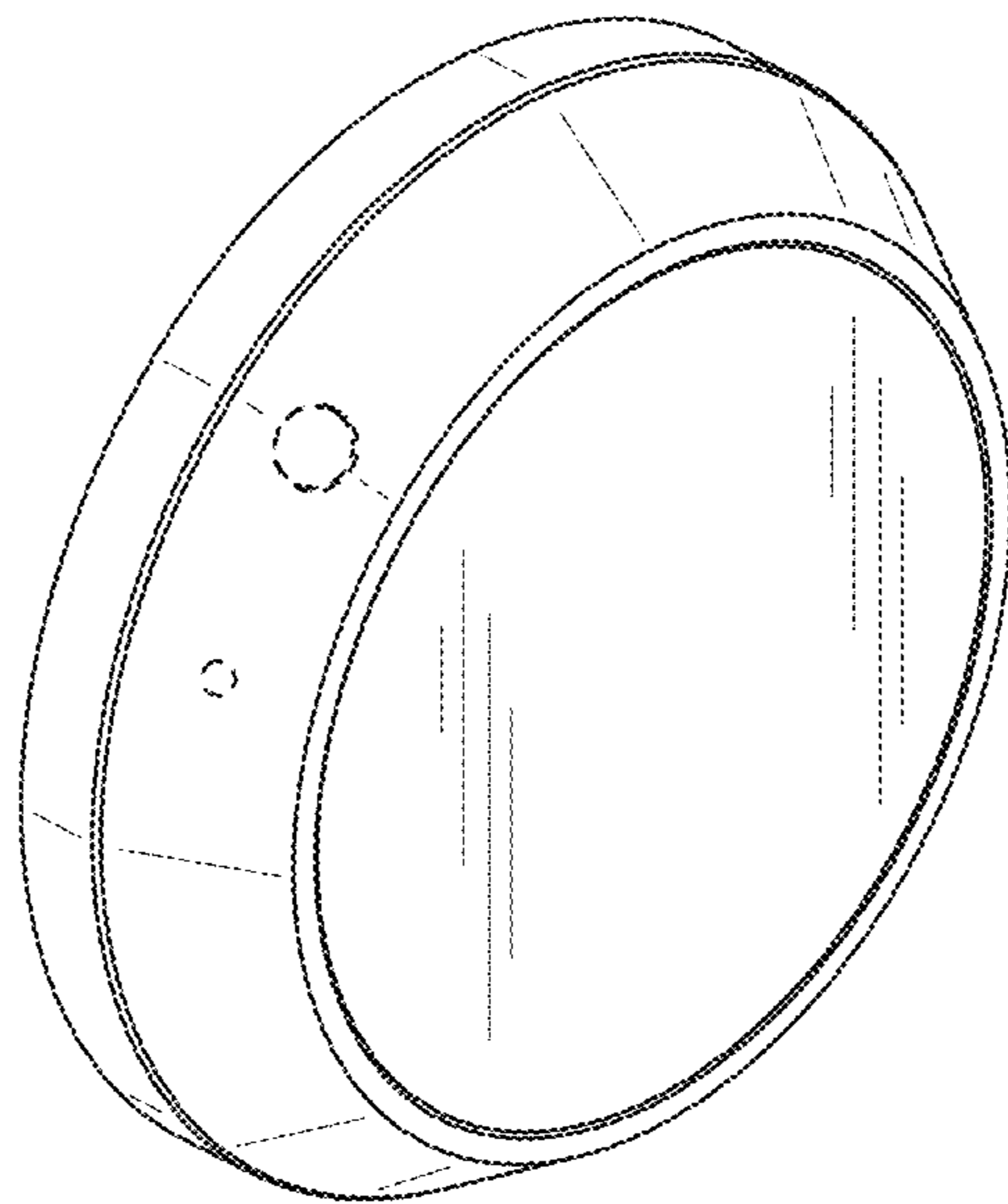


FIG. 1

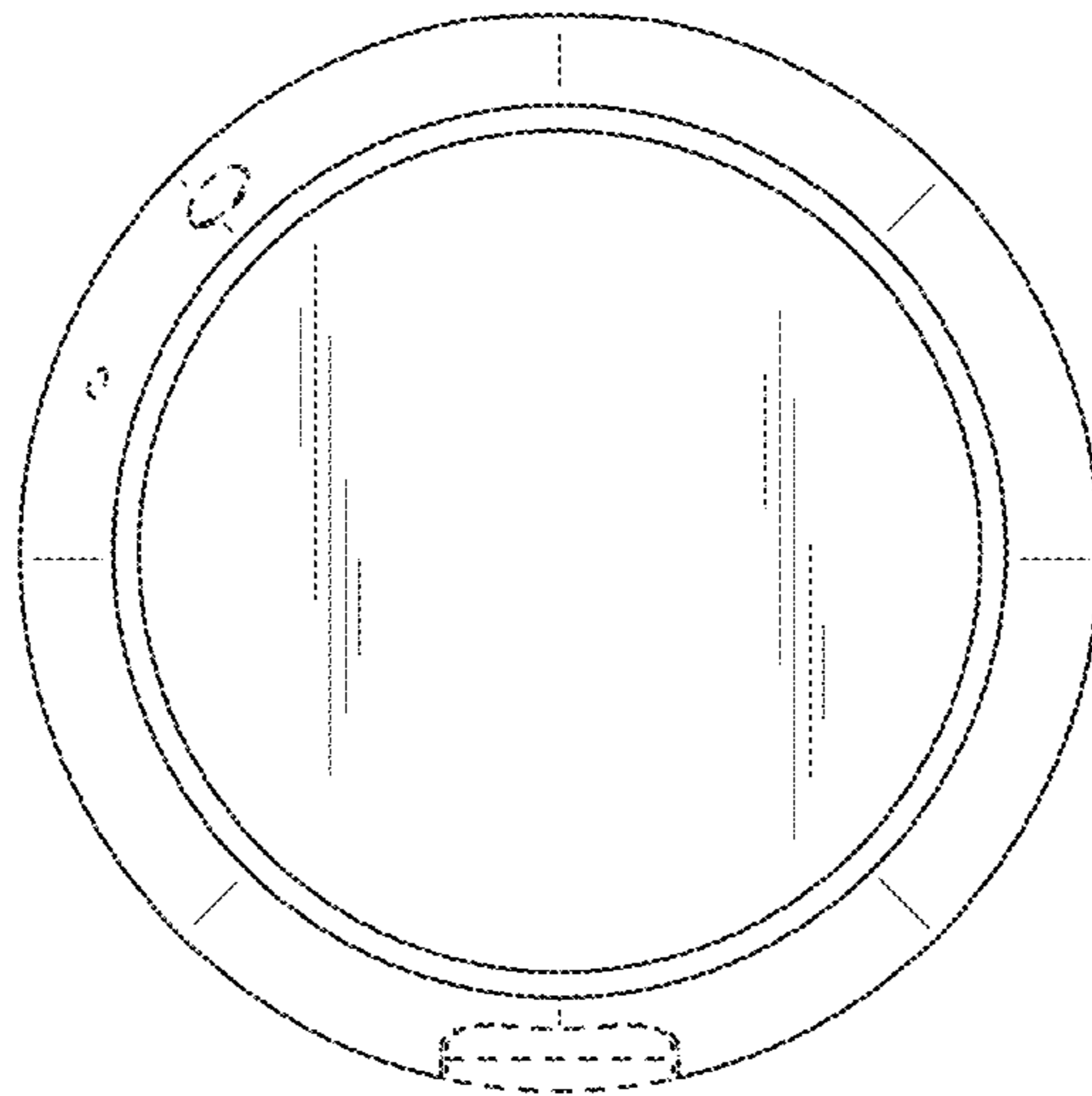


FIG. 2

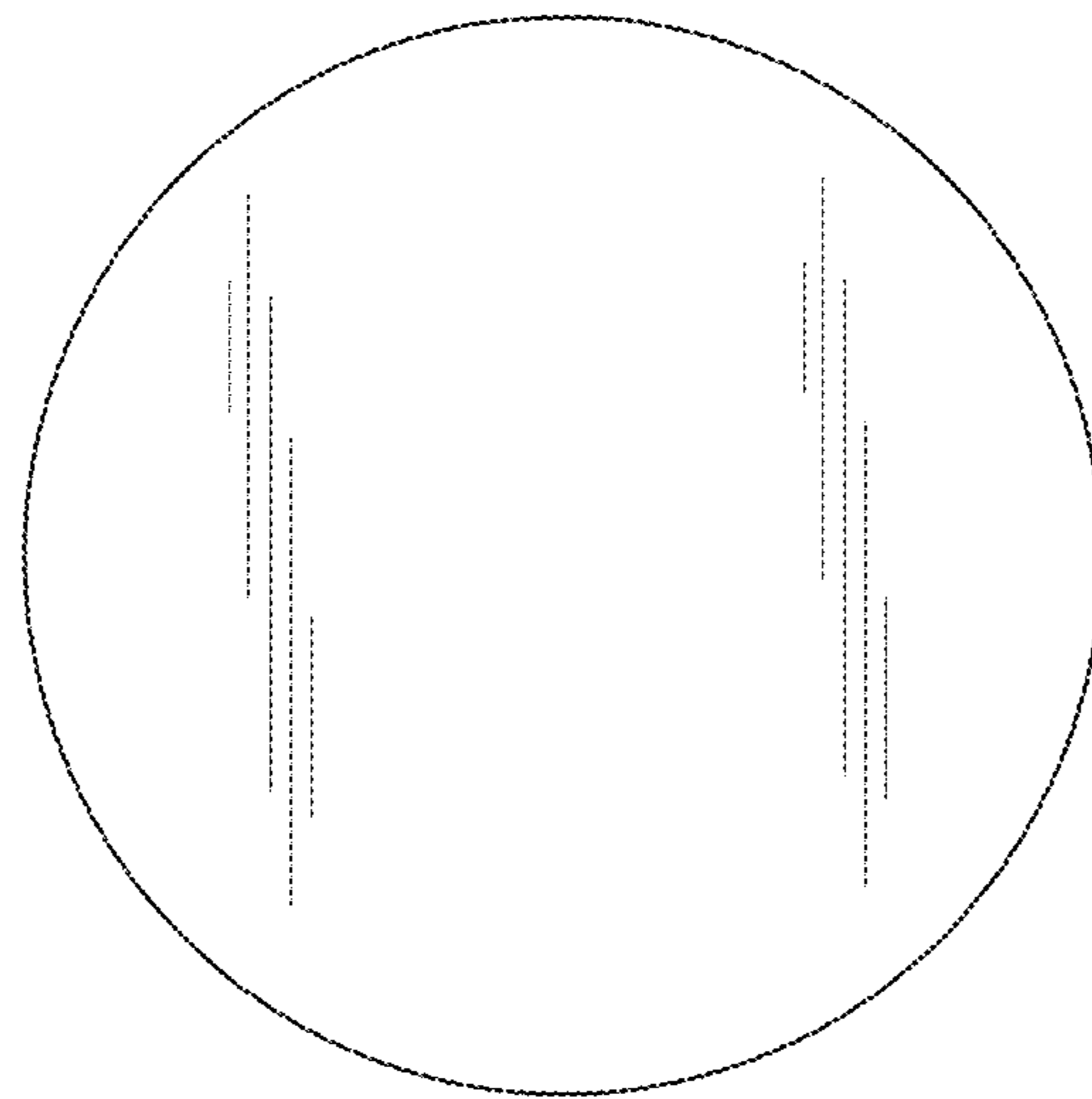


FIG. 3

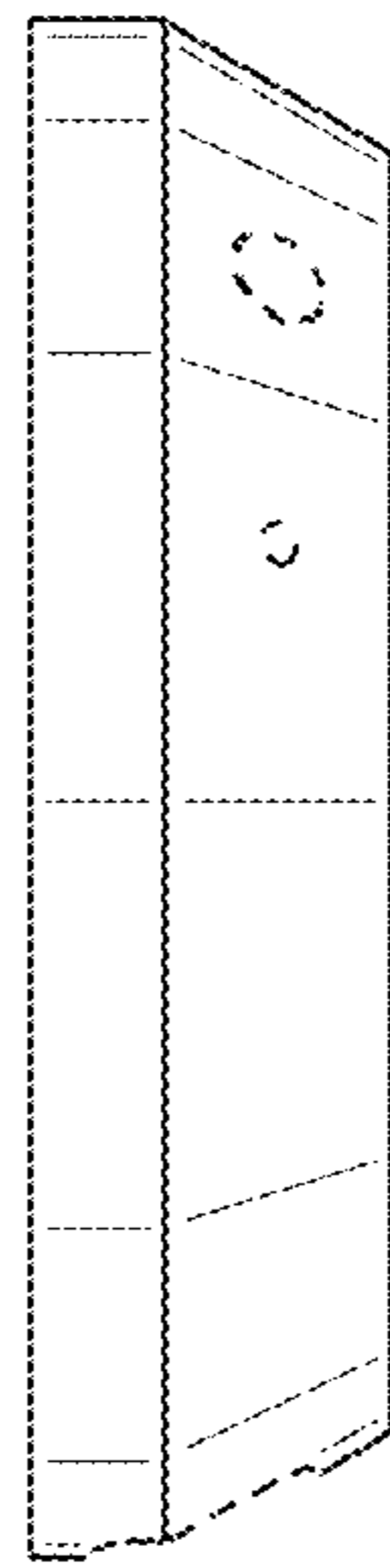


FIG. 4

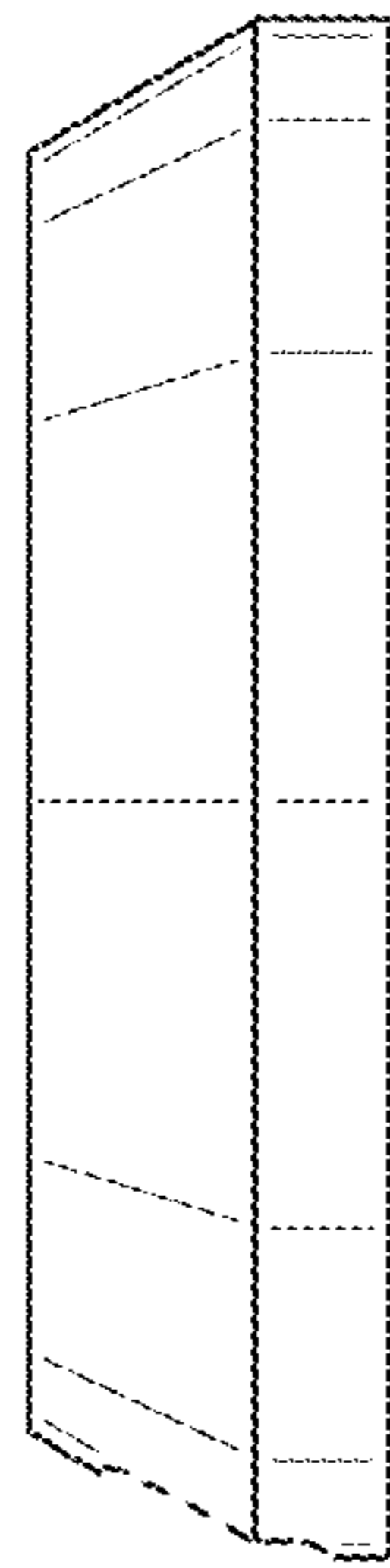


FIG. 5

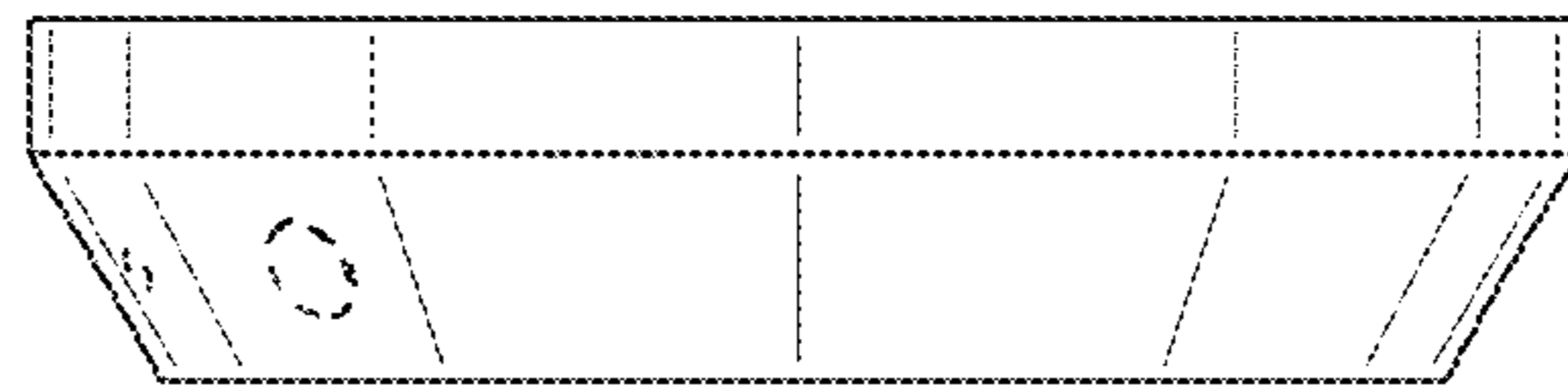


FIG. 6

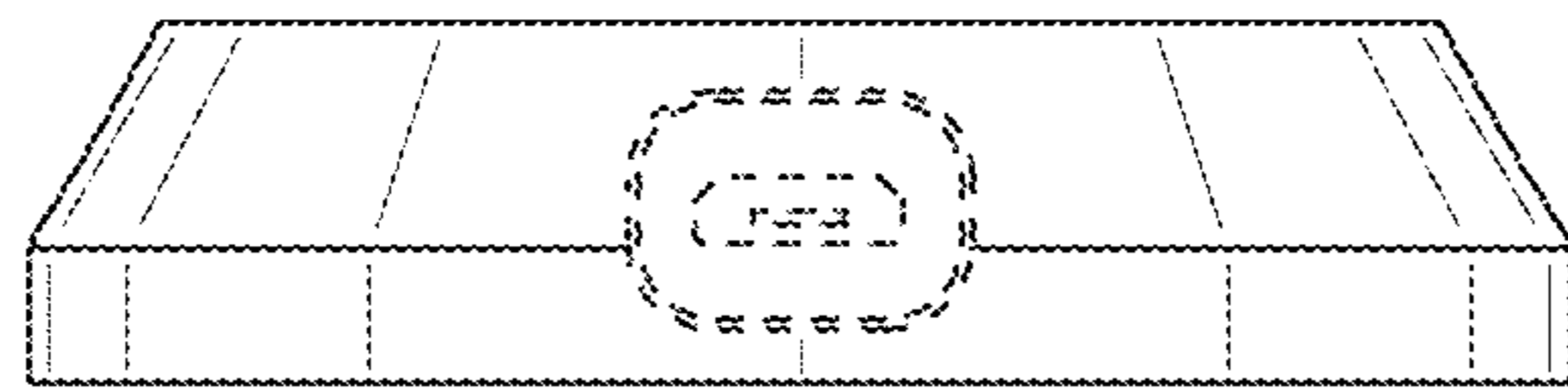


FIG. 7