



US00D804532S

(12) **United States Design Patent** (10) **Patent No.:** **US D804,532 S**  
**Mangum et al.** (45) **Date of Patent:** **\*\* Dec. 5, 2017**

(54) **MEDIA STREAMING DEVICE**

(56) **References Cited**

(71) Applicant: **GOOGLE INC.**, Mountain View, CA (US)

U.S. PATENT DOCUMENTS

(72) Inventors: **Kristen Mangum**, San Mateo, CA (US); **Michael Jon Sundermeyer**, Palo Alto, CA (US); **Micah Thomas Collins**, Mountain View, CA (US); **Kyle Nathen Swen**, San Carlos, CA (US); **David Whetstone**, San Francisco, CA (US); **Sean Missal**, San Francisco, CA (US)

7,277,272 B2 \* 10/2007 Hsiung ..... G11B 17/051  
361/679.01  
D578,546 S \* 10/2008 Fullerton ..... D14/496  
9,131,260 B2 \* 9/2015 Klarke ..... H04N 21/4221  
9,286,854 B2 \* 3/2016 Klarke ..... G06F 1/263  
9,510,035 B2 \* 11/2016 Rao ..... H04N 7/17318  
D776,162 S \* 1/2017 Beck ..... D14/203.6  
9,560,421 B2 \* 1/2017 Lim ..... H04N 21/631  
D781,919 S \* 3/2017 Beck ..... D14/496  
D788,820 S \* 6/2017 Beck ..... D14/203.6  
9,680,902 B2 \* 6/2017 Yu ..... H04L 65/607

(73) Assignee: **Google LLC**, Mountain View, CA (US)

\* cited by examiner

(\*\*) Term: **15 Years**

*Primary Examiner* — Prabhakar G Deshmukh

(21) Appl. No.: **29/579,878**

(74) *Attorney, Agent, or Firm* — Brake Hughes Bellermann LLP

(22) Filed: **Oct. 4, 2016**

(57) **CLAIM**

(51) **LOC (10) Cl.** ..... **14-03**

The ornamental design for a media streaming device, as shown and described.

(52) **U.S. Cl.**  
USPC ..... **D14/496**

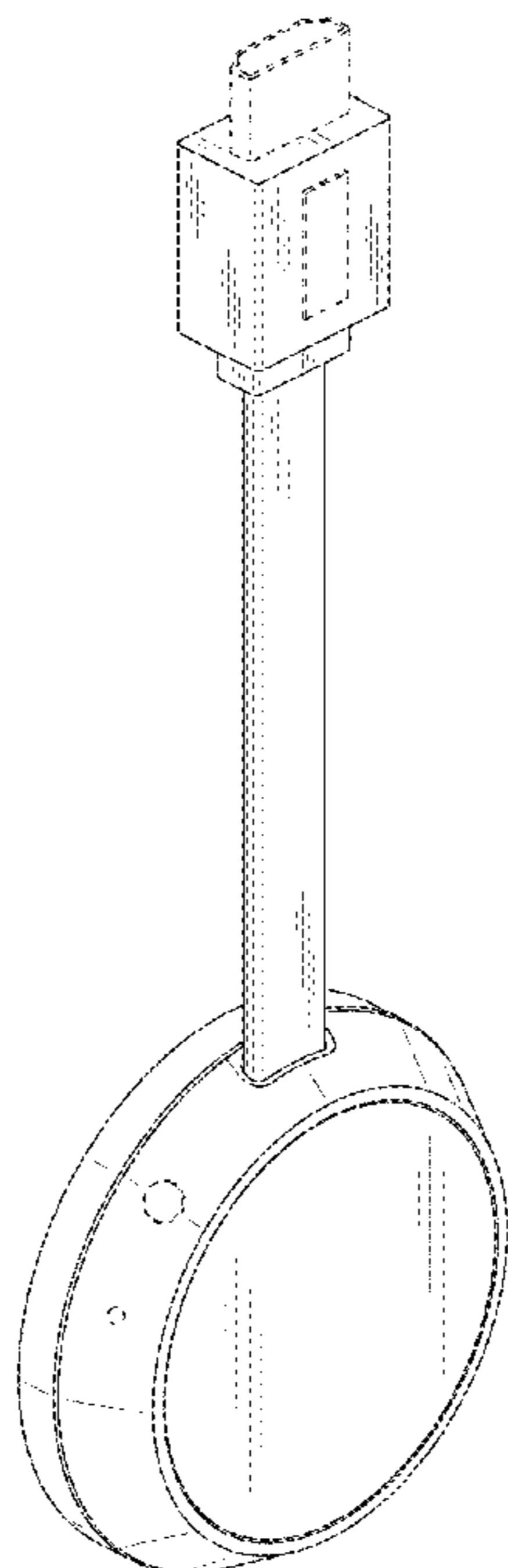
(58) **Field of Classification Search**  
USPC ..... D14/432, 434, 447, 357, 299, 496,  
D14/203.1–203.8, 149, 155, 157, 188,  
D14/209.1, 217; D21/324, 328, 332, 333;  
361/600, 679–686; 320/114, 115;  
345/156–161, 905, 901; 439/529, 534,  
439/929; 455/556, 556.2, 557;  
348/14.01–14.1, 211.12, 211.13;  
386/235, 200, 239; 715/751, 753;  
725/143, 151, 153, 135; 709/204, 211,  
709/217

**DESCRIPTION**

FIG. 1 is a front perspective view of a media streaming device showing our new design;  
FIG. 2 is a top plan view thereof;  
FIG. 3 is a bottom plan view thereof;  
FIG. 4 is a left side elevational view thereof;  
FIG. 5 is a right side elevational view thereof;  
FIG. 6 is a front elevational view thereof; and,  
FIG. 7 is a rear elevational view thereof.  
The broken lines illustrate unclaimed portions and form no part of the claimed design.

CPC .... G06F 1/16; G06F 5/00; G06F 3/00; H04N 5/225; H04N 5/40; G05F 3/048  
See application file for complete search history.

**1 Claim, 7 Drawing Sheets**



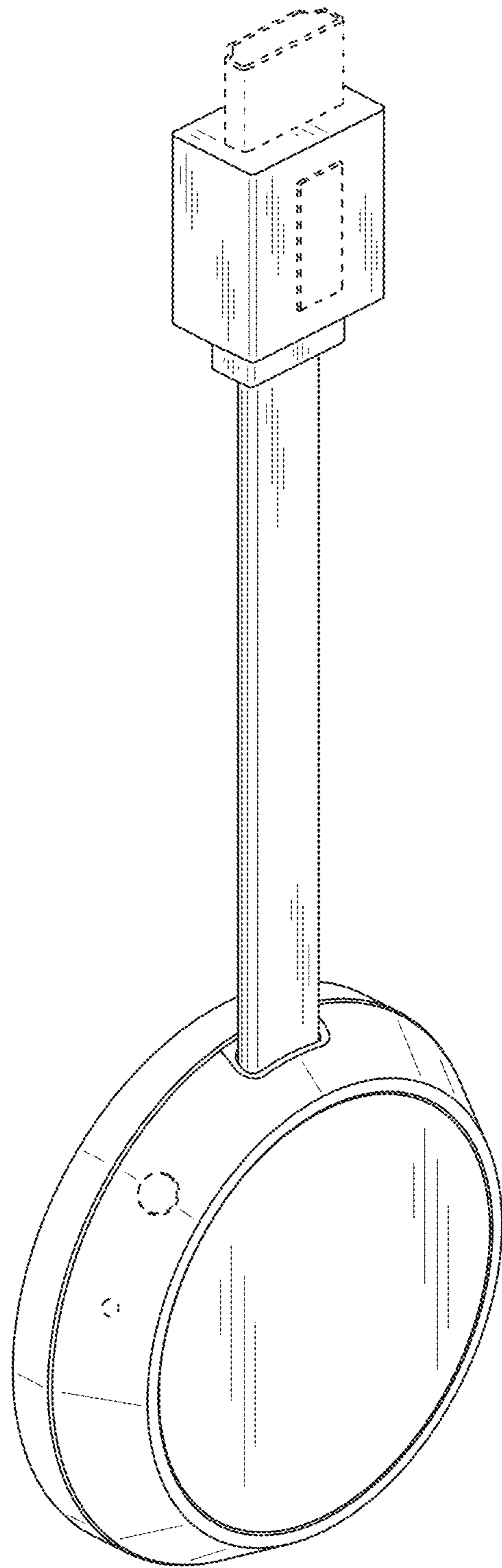


FIG. 1

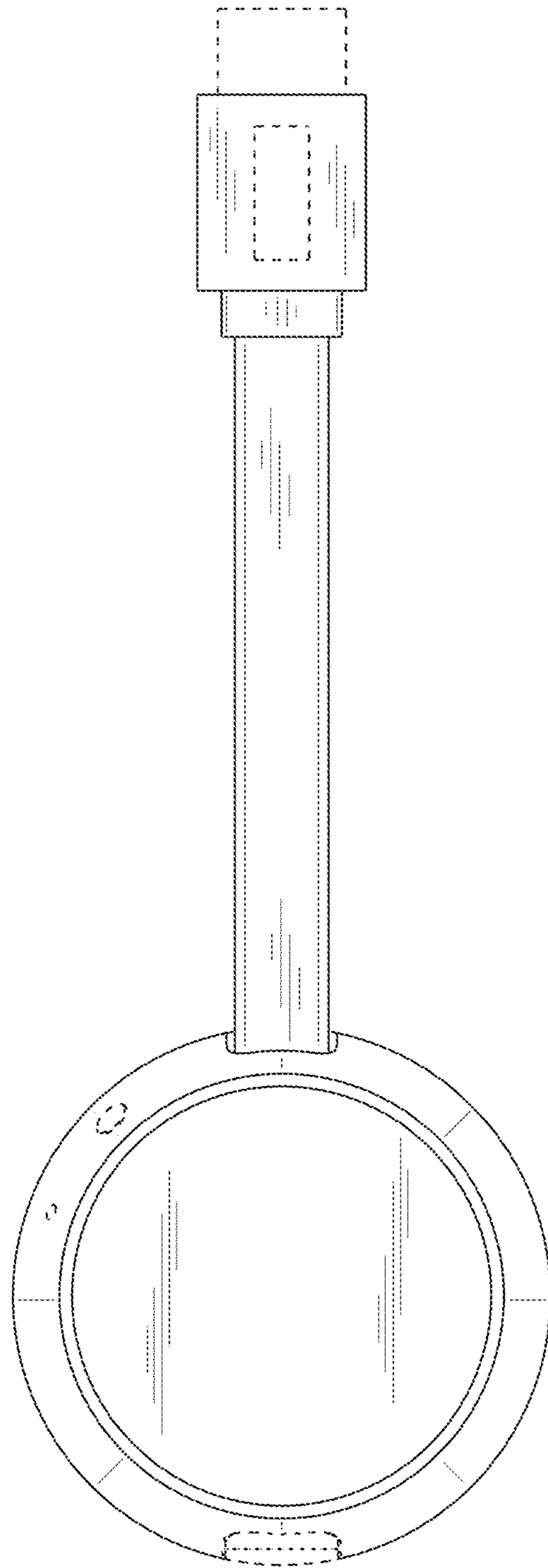


FIG. 2

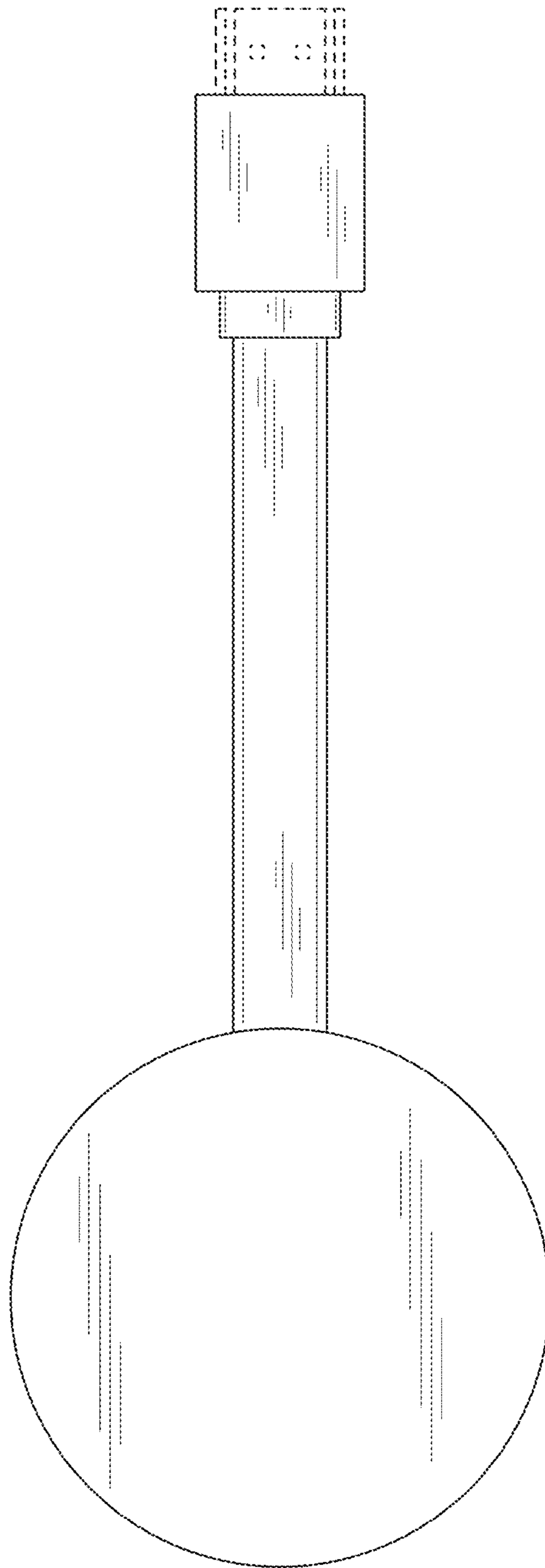


FIG. 3

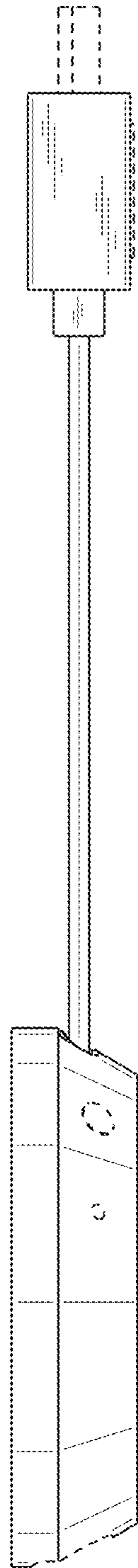


FIG. 4

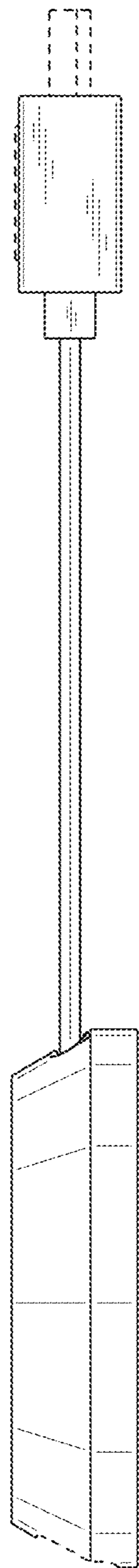


FIG. 5



FIG. 6

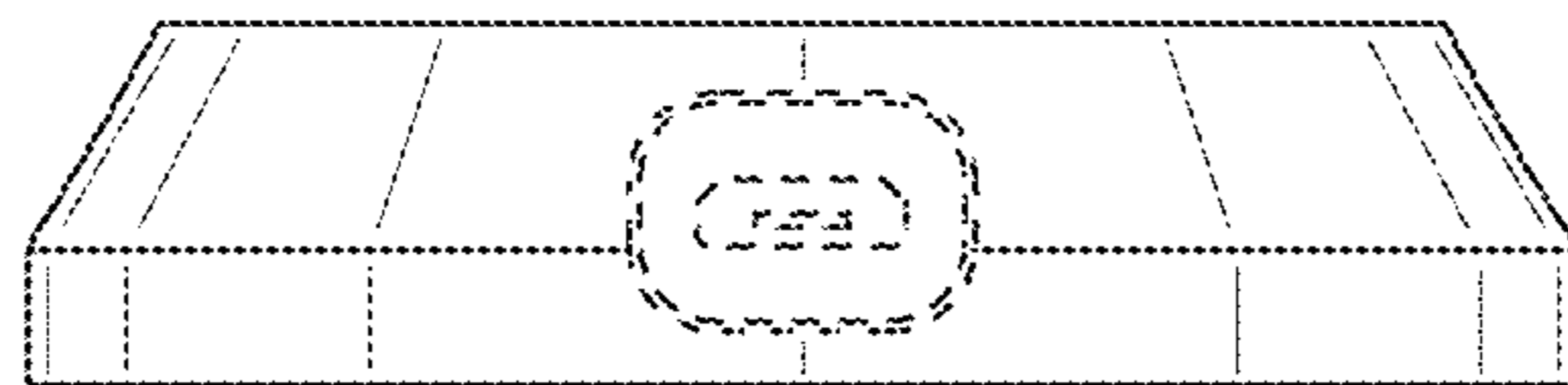


FIG. 7