



US00D804494S

(12) **United States Design Patent**  
**Bombolowsky et al.**

(10) **Patent No.:** **US D804,494 S**  
(45) **Date of Patent:** **\*\* Dec. 5, 2017**

(54) **PORTION OF A DISPLAY PANEL WITH AN ANIMATED GRAPHICAL USER INTERFACE**

(71) Applicant: **SAP SE**, Walldorf (DE)

(72) Inventors: **Jens Bombolowsky**, Heidelberg (DE); **Dev Sharma**, Leimen (DE); **Sabine Finke**, Karlsruhe (DE)

(73) Assignee: **SAP SE**, Walldorf (DE)

(\*\*) Term: **15 Years**

(21) Appl. No.: **29/565,803**

(22) Filed: **May 24, 2016**

(51) **LOC (10) Cl.** ..... **14-04**

(52) **U.S. Cl.**  
USPC ..... **D14/485**

(58) **Field of Classification Search**  
USPC ..... D10/126; D14/485-495  
CPC ..... B61C 11/04; B64C 29/00; G06F 3/04817;  
G06F 3/0482; G06F 2203/04807; G06T  
15/02; G06T 13/80; H04M 1/2477; H04N  
1/00424

See application file for complete search history.

(56) **References Cited**

**U.S. PATENT DOCUMENTS**

4,702,615	A *	10/1987	Havel	.....	G04G 9/04 345/690
7,475,029	B2	1/2009	Finke et al.		
D602,033	S *	10/2009	Vu	.....	D14/485
7,650,570	B2 *	1/2010	Torrens	.....	G06F 17/30017 715/727
7,693,794	B2	4/2010	Wind et al.		
7,707,070	B2	4/2010	Finke et al.		
7,752,565	B2	7/2010	Bombolowsky et al.		
D624,557	S *	9/2010	Allen	.....	D14/488
7,860,841	B2	12/2010	Finke et al.		
8,046,703	B2	10/2011	Busch et al.		
8,055,523	B2	11/2011	Finke et al.		
8,612,875	B2	12/2013	Bombolowsky et al.		

D697,076	S *	1/2014	Oda	.....	D14/486
D699,747	S *	2/2014	Pearson	.....	D14/488
D702,250	S *	4/2014	Kotler	.....	D14/487
8,819,083	B2	8/2014	Busch et al.		
D729,260	S *	5/2015	Ahn	.....	D14/485

(Continued)

**OTHER PUBLICATIONS**

StackOverflow | Questions | Android animation of concentric expanding fading circles, posted on Aug. 23, 2016, © 2017 Stack Exchange Inc. [online], [site visited Jun. 20, 2017]. Available from Internet, <URL: <https://stackoverflow.com/questions/39091684/android-animation-of-concentric-expanding-fading-circles/>>.\*

*Primary Examiner* — Philip S Hyder

*Assistant Examiner* — Cary M Robinson

(74) *Attorney, Agent, or Firm* — Fish & Richardson P.C.

(57) **CLAIM**

The ornamental design for a portion of a display panel with an animated graphical user interface, substantially as shown and described.

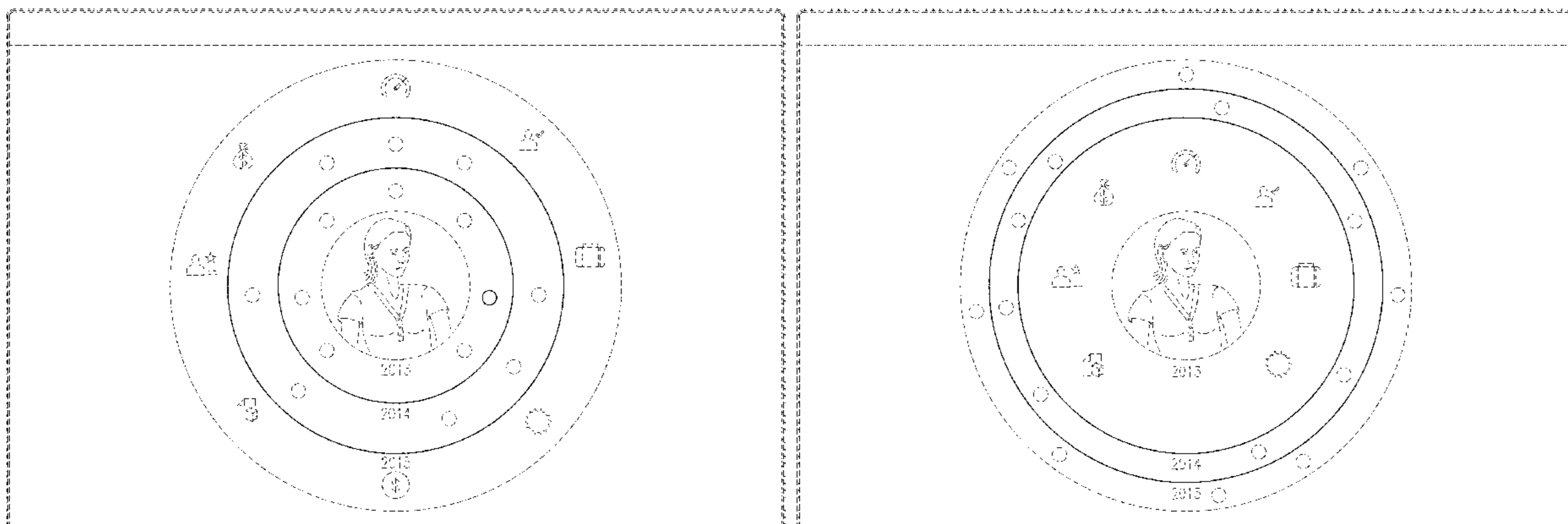
**DESCRIPTION**

FIG. 1 is a front view of a portion of a display panel with an animated graphical user interface showing a first image in the sequence showing the new design; FIG. 2 shows a second image thereof; and, FIG. 3 shows a third image thereof.

The appearance of the transitional image sequentially transitions between the images shown in FIGS. 1-3. The process or period in which one image transitions to another image forms no part of the claimed design.

The outer broken line showing a portion of a display panel (such as of a mobile device or other suitable computing system) in all views forms no part of the claimed design. The broken line showing of graphical elements and text within the portion of the display panel form no part of the claimed design.

**1 Claim, 3 Drawing Sheets**



(56)

References Cited

U.S. PATENT DOCUMENTS

9,084,086	B2	7/2015	Bombolowsky					
D736,780	S *	8/2015	Wang .....	D14/485				
D745,015	S *	12/2015	Wang .....	D14/485				
9,262,556	B2	2/2016	Bombolowsky et al.					
D752,061	S *	3/2016	Ahn .....	D14/485				
D753,696	S *	4/2016	Dye .....	D14/486				
D761,840	S *	7/2016	Patterson .....	D14/488				
D763,269	S *	8/2016	Lee .....	D14/485				
D764,497	S *	8/2016	Seo .....	D14/485				
D771,063	S *	11/2016	Yang .....	D14/485				
D780,781	S *	3/2017	Ding .....	D14/486				
D783,633	S *	4/2017	Oh .....	D14/485				
D784,363	S *	4/2017	Fleming .....	D14/485				
D785,017	S *	4/2017	Wang .....	D14/486				
D787,527	S *	5/2017	Wilberding .....	D14/485				
D789,404	S *	6/2017	Modestine .....	D14/487				
2005/0091092	A1	4/2005	Wind et al.					
2005/0234939	A1	10/2005	Arend et al.					
2005/0235206	A1	10/2005	Arend et al.					
2005/0235208	A1	10/2005	Arend et al.					
2005/0235223	A1	10/2005	Arend et al.					
2005/0235224	A1	10/2005	Arend et al.					
2005/0235251	A1	10/2005	Arend et al.					
2007/0079248	A1	4/2007	Finke et al.					
2007/0222768	A1 *	9/2007	Geurts .....			G06F 3/0481		
							345/173	
2007/0256043	A1	11/2007	Peters et al.					
2007/0271528	A1 *	11/2007	Park .....			G06F 3/0482		
							715/810	
2008/0155431	A1	6/2008	Bombolowsky					
2010/0037139	A1 *	2/2010	Loebig .....			G11B 27/34		
							715/716	
2010/0299637	A1 *	11/2010	Chmielewski .....			G06F 3/0482		
							715/834	
2012/0151311	A1	6/2012	Mathai et al.					
2012/0166946	A1	6/2012	Bombolowsky					
2013/0019182	A1 *	1/2013	Gil .....			G06F 3/0482		
							715/738	
2013/0173486	A1	7/2013	Peters et al.					
2014/0040344	A1	2/2014	Gehring et al.					
2014/0096067	A1	4/2014	Finke et al.					
2014/0162602	A1	6/2014	Bombolowsky					
2015/0040052	A1 *	2/2015	Noel .....			G06F 3/04847		
							715/771	
2015/0104071	A1 *	4/2015	Martin .....			G06K 9/00791		
							382/104	
2015/0121314	A1	4/2015	Bombolowsky					
2016/0103562	A1	4/2016	Bombolowsky et al.					

\* cited by examiner

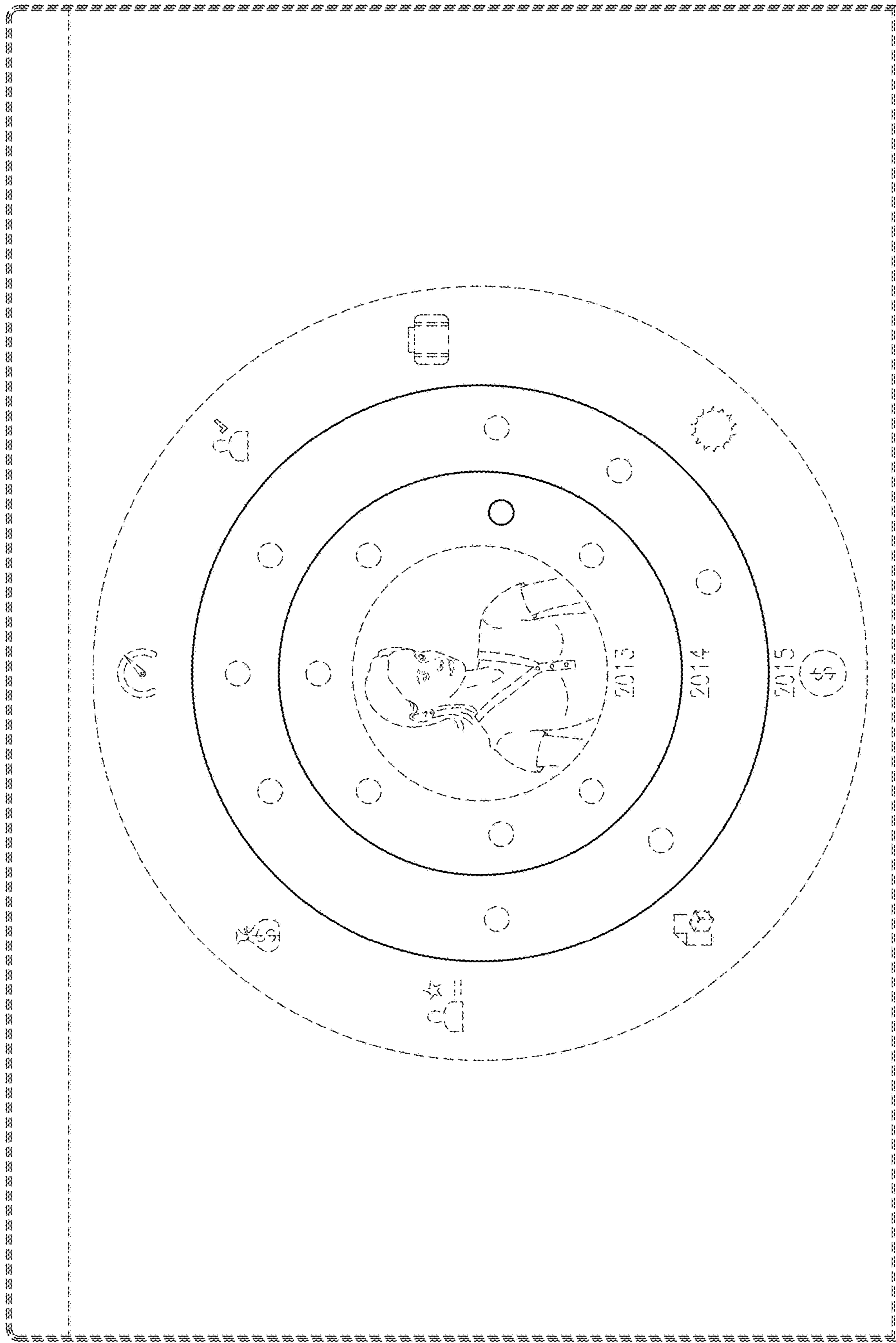


FIG. 1

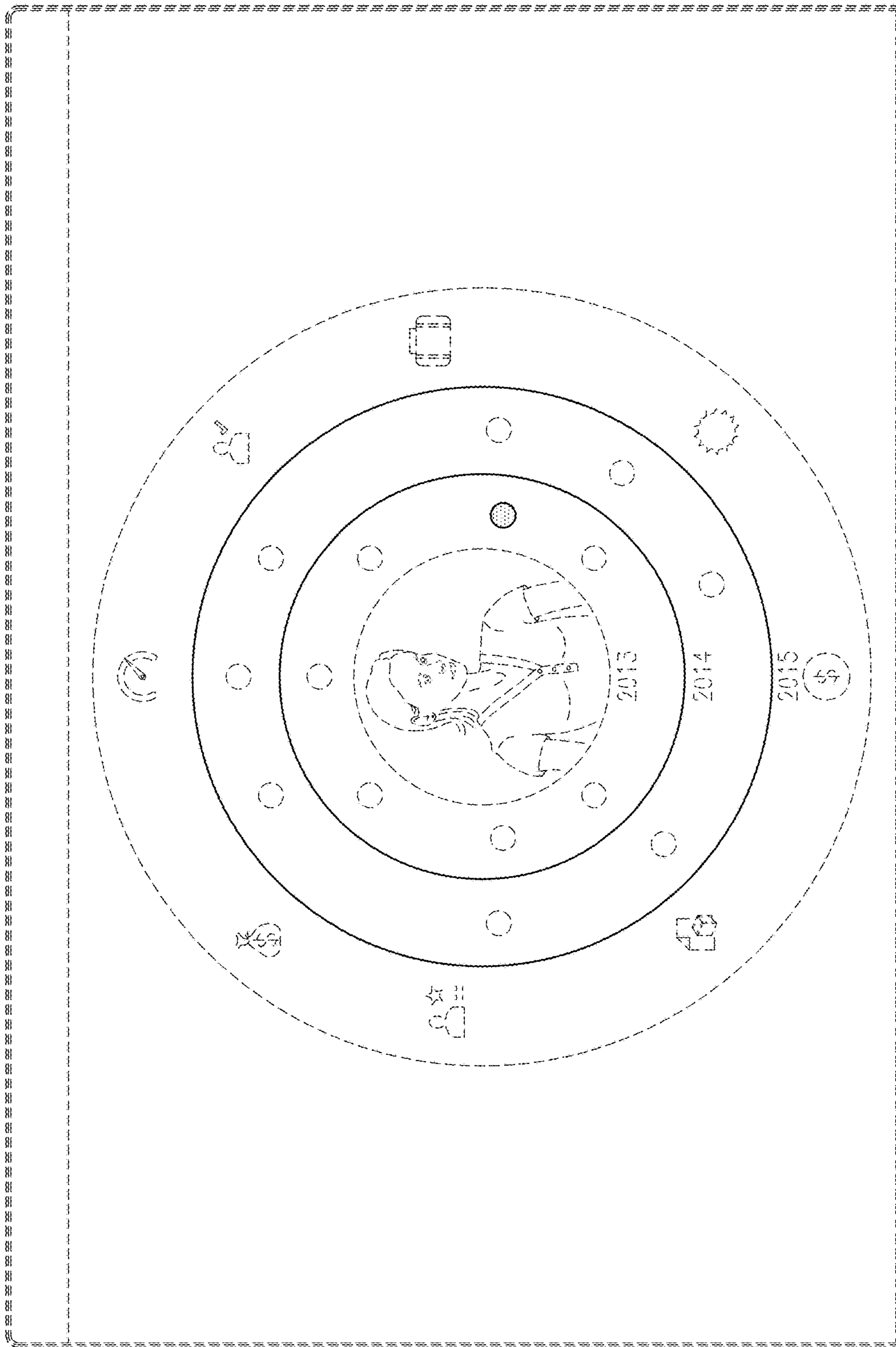


FIG. 2

