



US00D804492S

(12) **United States Design Patent**
Graham et al.

(10) **Patent No.:** **US D804,492 S**

(45) **Date of Patent:** **** Dec. 5, 2017**

(54) **PORTION OF DISPLAY SCREEN WITH ANIMATED GRAPHICAL USER INTERFACE**

(71) Applicants: **Jamey Graham**, San Jose, CA (US);
Daniel Van Olst, San Francisco, CA (US)

(72) Inventors: **Jamey Graham**, San Jose, CA (US);
Daniel Van Olst, San Francisco, CA (US)

(73) Assignee: **Ricoh Company, Ltd.**, Tokyo (JP)

(**) Term: **15 Years**

(21) Appl. No.: **29/542,734**

(22) Filed: **Oct. 16, 2015**

(51) **LOC (10) Cl.** **14-04**

(52) **U.S. Cl.**
USPC **D14/485**

(58) **Field of Classification Search**
USPC D14/485-495
CPC ... G06F 3/0481; G06F 3/04817; G06T 13/80;
G06T 15/02; H04N 1/00424
See application file for complete search history.

(56) **References Cited**

U.S. PATENT DOCUMENTS

D500,766 S *	1/2005	Hanisch	D14/489
D524,321 S *	7/2006	Hally	D14/487
D591,305 S *	4/2009	Shimoda	D14/485
D593,107 S *	5/2009	Shimoda	D14/485
D623,658 S *	9/2010	Fitzmaurice	D14/489
D624,933 S *	10/2010	Fitzmaurice	D14/489
D625,327 S *	10/2010	Fitzmaurice	D14/489
D644,242 S *	8/2011	Matas	D14/489

(Continued)

Primary Examiner — Mary Ann Calabrese

Assistant Examiner — Sloan Rozin

(74) *Attorney, Agent, or Firm* — Blank Rome LLP

(57) **CLAIM**

The ornamental design for portion of display screen with animated graphical user interface, as shown and described.

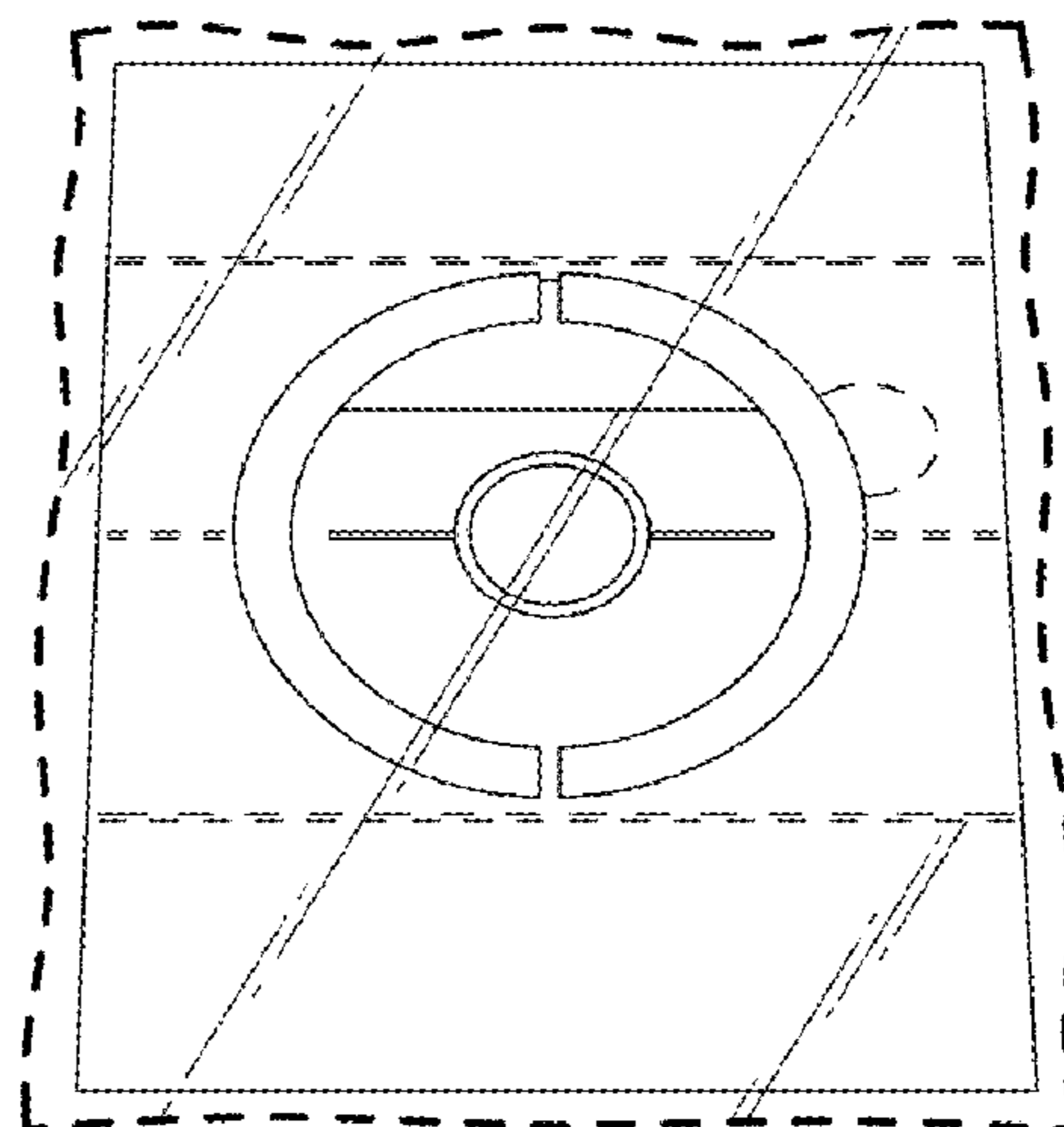
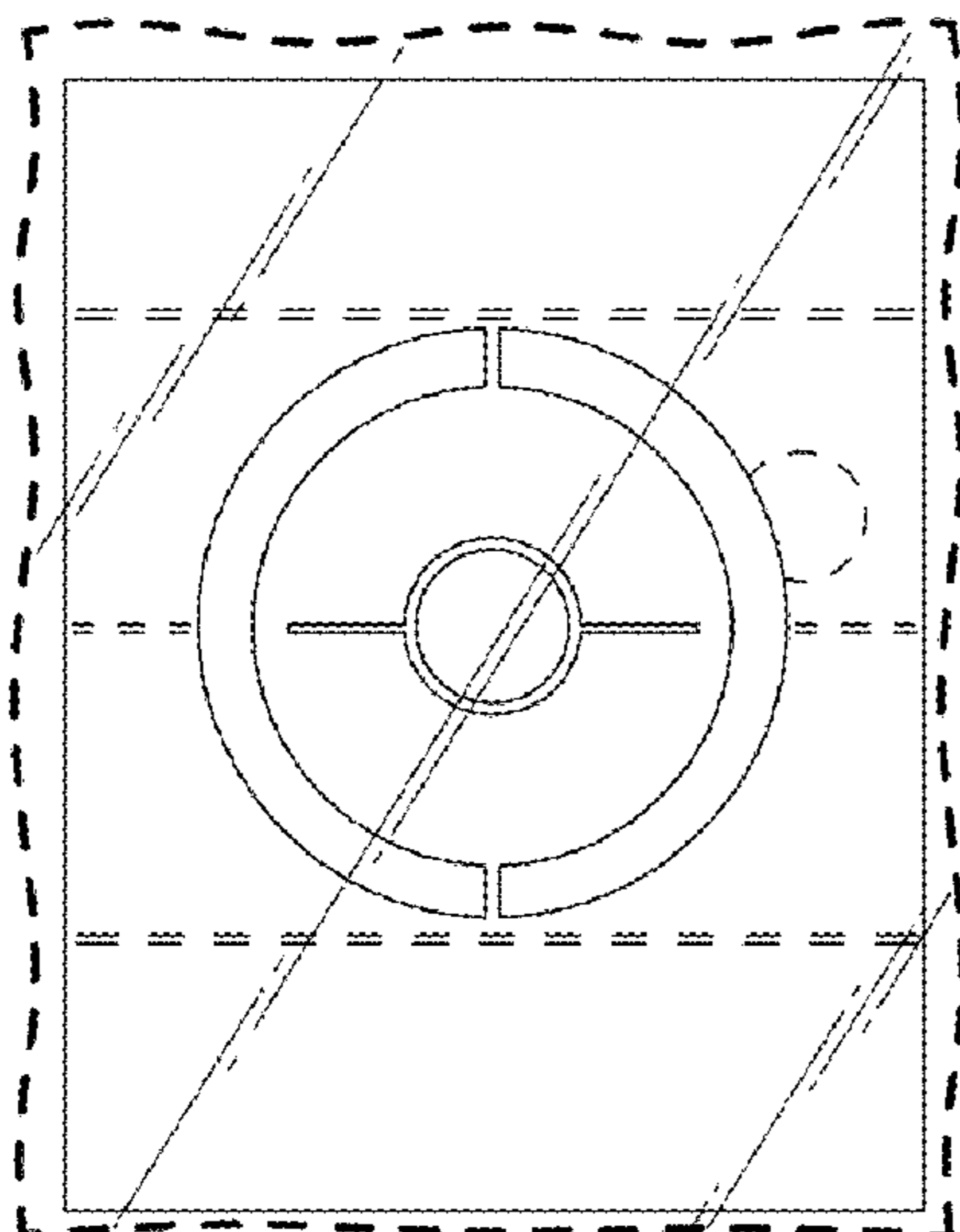
DESCRIPTION

FIG. 1 is a front view of a portion of a display screen with animated graphical user interface showing a first image in a sequence of a first embodiment of my new design;
 FIG. 2 is a perspective view showing a second image in the sequence thereof;
 FIG. 3 is a perspective view showing a third image in the sequence thereof;
 FIG. 4 is a perspective view showing a fourth image in the sequence thereof;
 FIG. 5 is a front view of a portion of a display screen with animated graphical user interface showing a first image in a sequence of a second embodiment of my new design;
 FIG. 6 is a perspective view showing a second image in the sequence thereof;
 FIG. 7 is a perspective view showing a third image in the sequence thereof; and,
 FIG. 8 is a perspective view showing a fourth image in the sequence thereof.

The appearance of the images transitions sequentially between the images shown in FIGS. 1 through 4, and 4 through 1. The appearance of the images transitions sequentially between the images shown in FIGS. 5 through 8, and 8 through 5. The process or period in which one image transitions to another image forms no part of the claimed design.

The broken line showing of the outermost broken lines in each figure represents the outer periphery of the portion of the display screen, and is the boundary of the claimed design. The broken line showing of elements on the display screen illustrate portions of the article and form no part of the claimed design.

1 Claim, 2 Drawing Sheets



(56)

References Cited

U.S. PATENT DOCUMENTS

D644,656 S * 9/2011 Maitlen D14/489
D689,874 S * 9/2013 Brinda D14/485
D697,523 S * 1/2014 Oda D14/486
D710,867 S * 8/2014 Nies D14/486
D721,088 S * 1/2015 Barling D14/485
D724,618 S * 3/2015 Shin D14/487
D736,792 S * 8/2015 Brinda D14/485
D740,302 S * 10/2015 Son D14/485
D745,895 S * 12/2015 Clare D14/495
D750,104 S * 2/2016 Bates D14/485
9,254,035 B2 * 2/2016 Epstein H04N 5/268
D751,584 S * 3/2016 Nuovo D14/485
D752,065 S * 3/2016 Moon D14/485
D752,066 S * 3/2016 Moon D14/485
D752,067 S * 3/2016 Moon D14/485
D752,618 S * 3/2016 Lee D14/486
D753,152 S * 4/2016 Moon D14/485
D756,377 S * 5/2016 Connolly D14/485
D757,074 S * 5/2016 Iwamoto D14/486
D757,753 S * 5/2016 Jung D14/485
D757,774 S * 5/2016 Iwamoto D14/486
D757,775 S * 5/2016 Iwamoto D14/486
9,354,776 B1 * 5/2016 Subramanian G06F 3/04817
D759,078 S * 6/2016 Iwamoto D14/486
2005/0010955 A1 * 1/2005 Elia G06F 3/0482
725/88
2010/0118037 A1 * 5/2010 Sheikh G06T 13/80
345/473
2012/0185773 A1 * 7/2012 Wang G11B 27/34
715/719

* cited by examiner

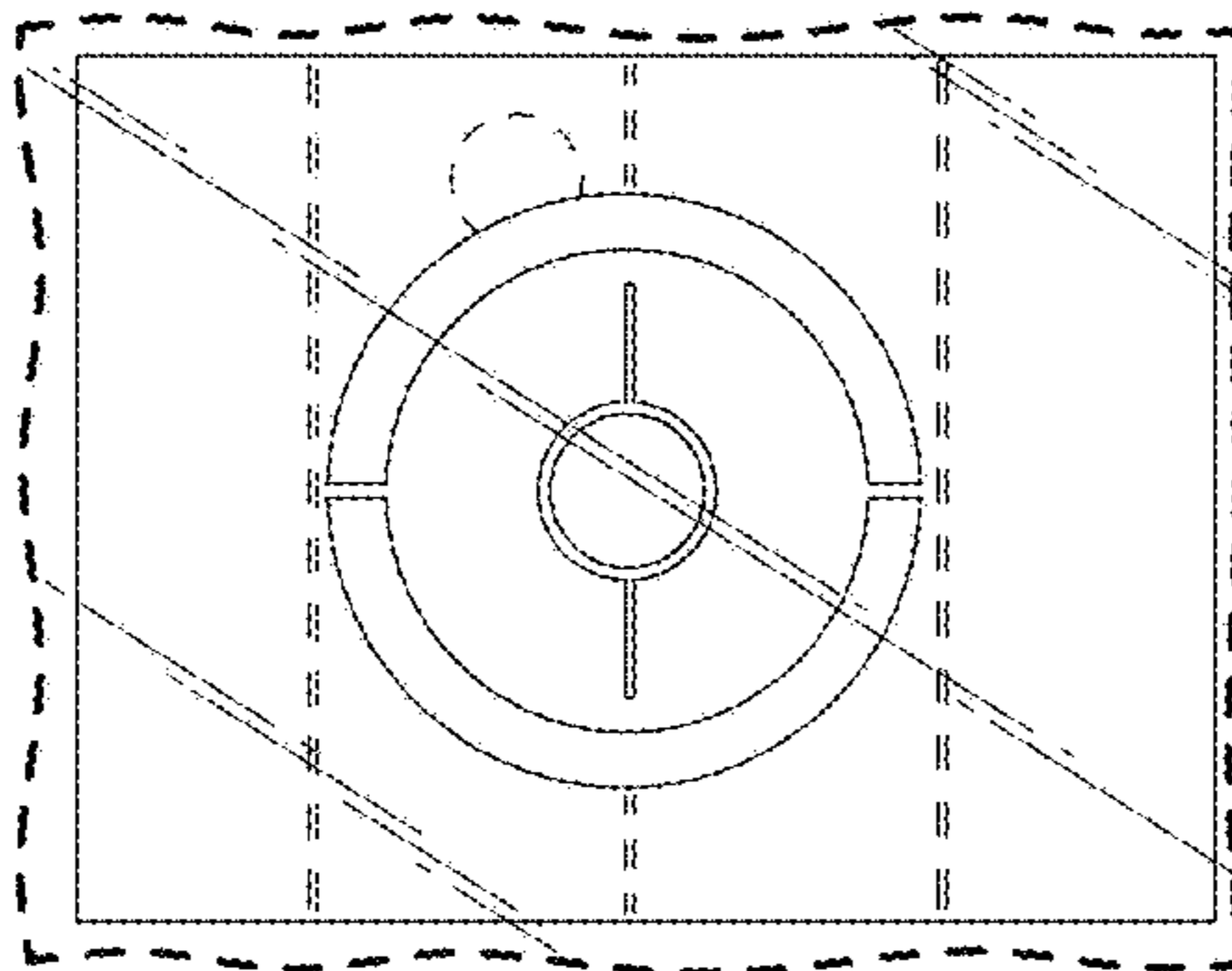


FIG. 1

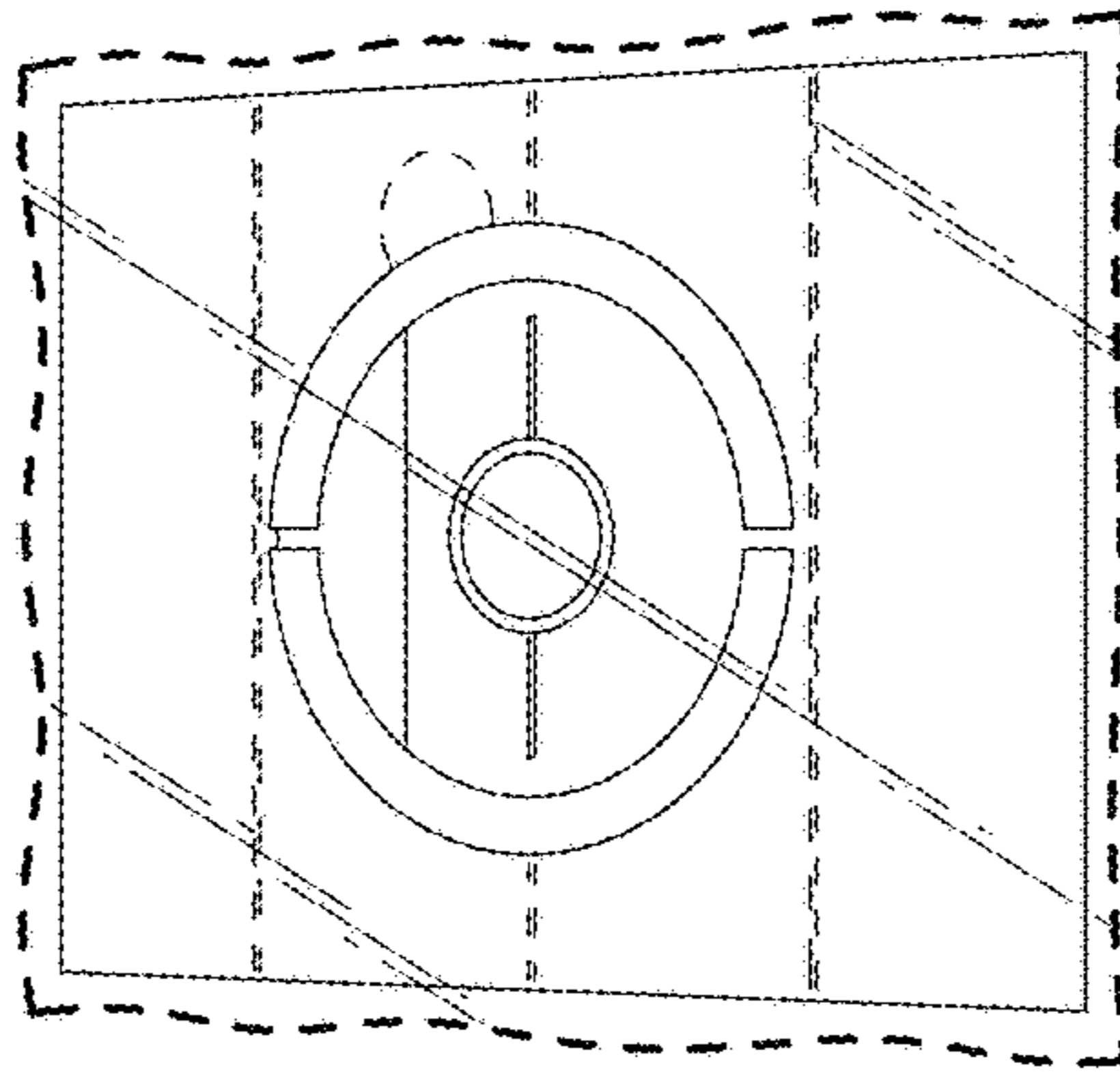


FIG. 2

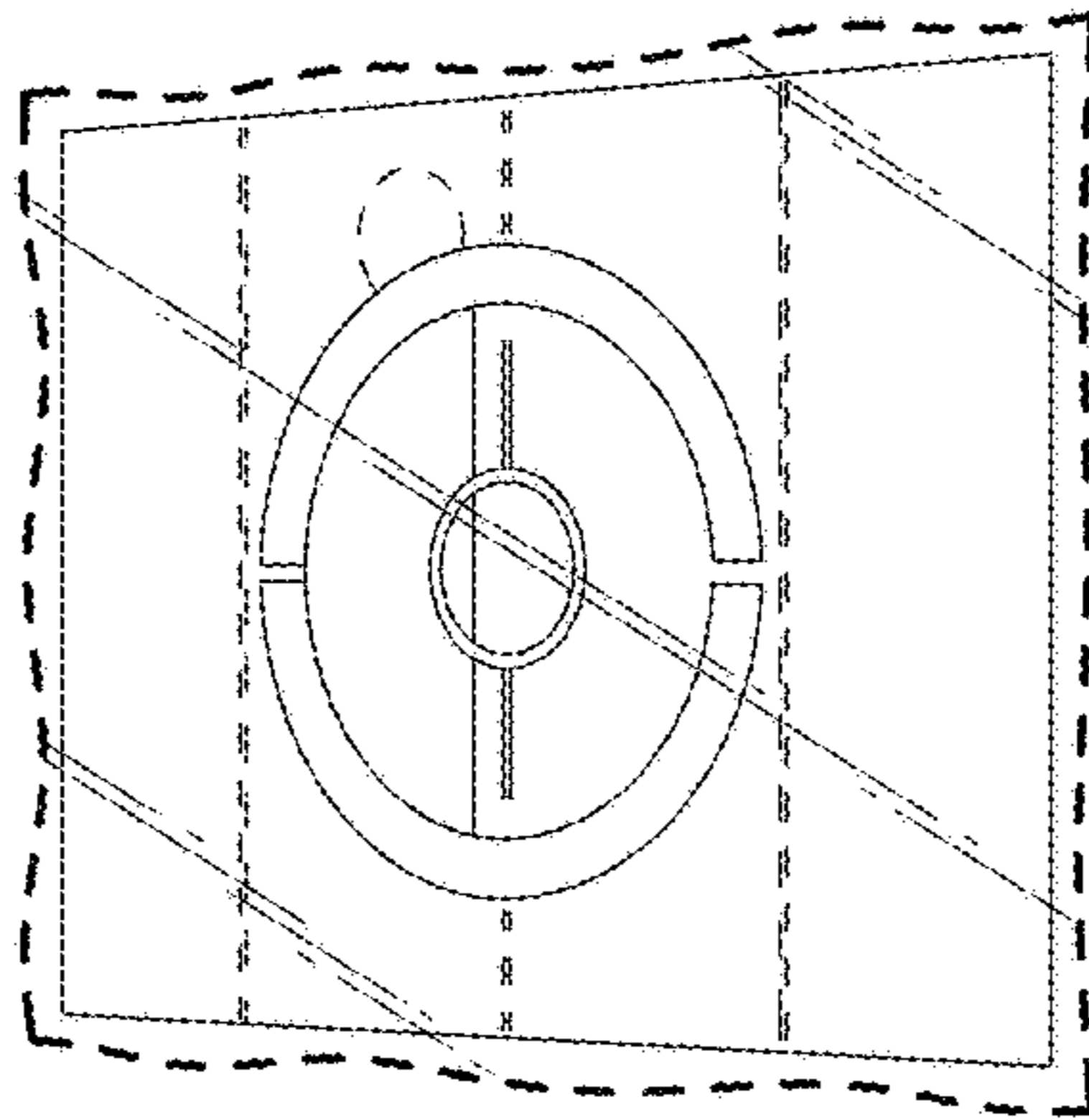


FIG. 3

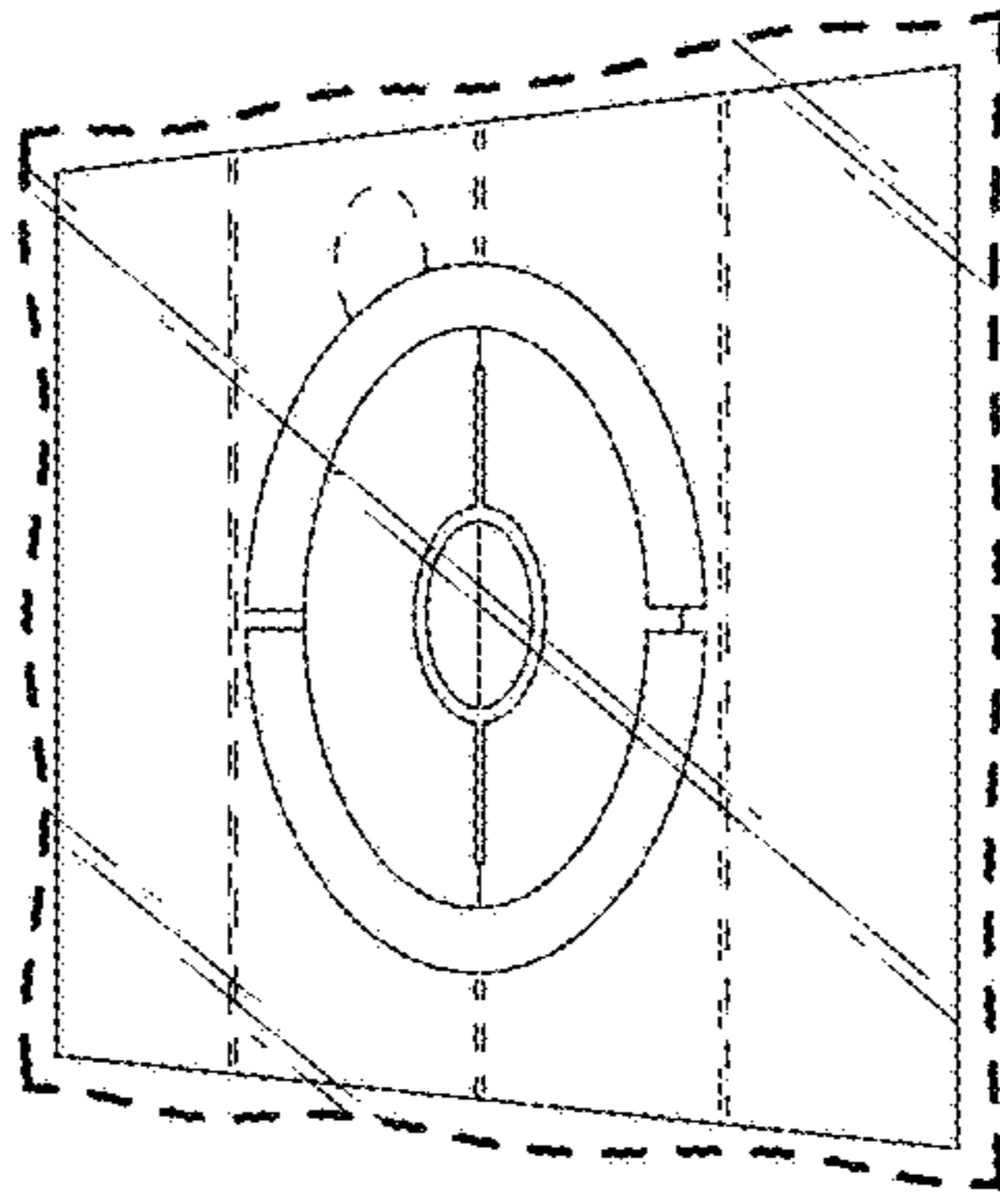


FIG. 4

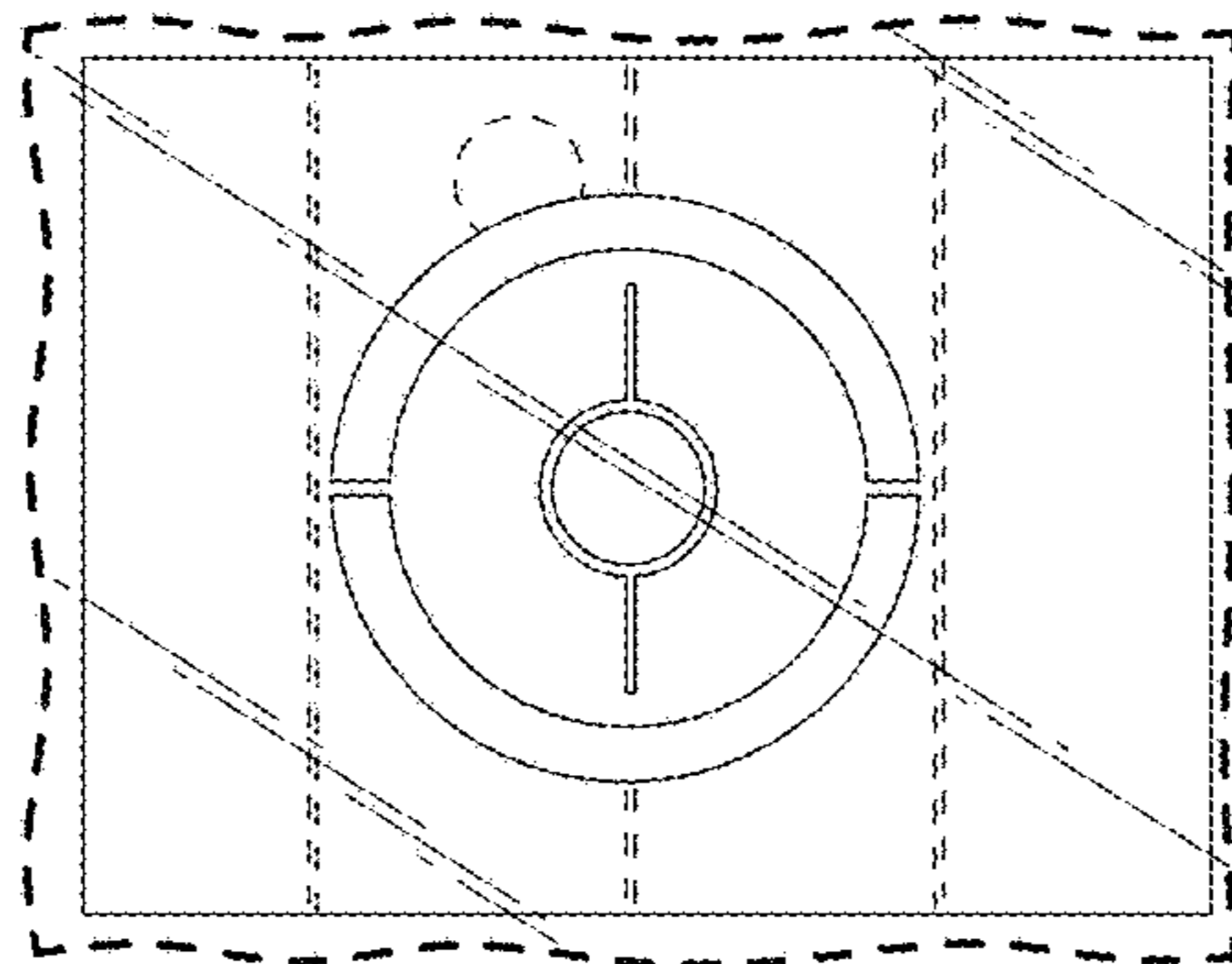


FIG. 5

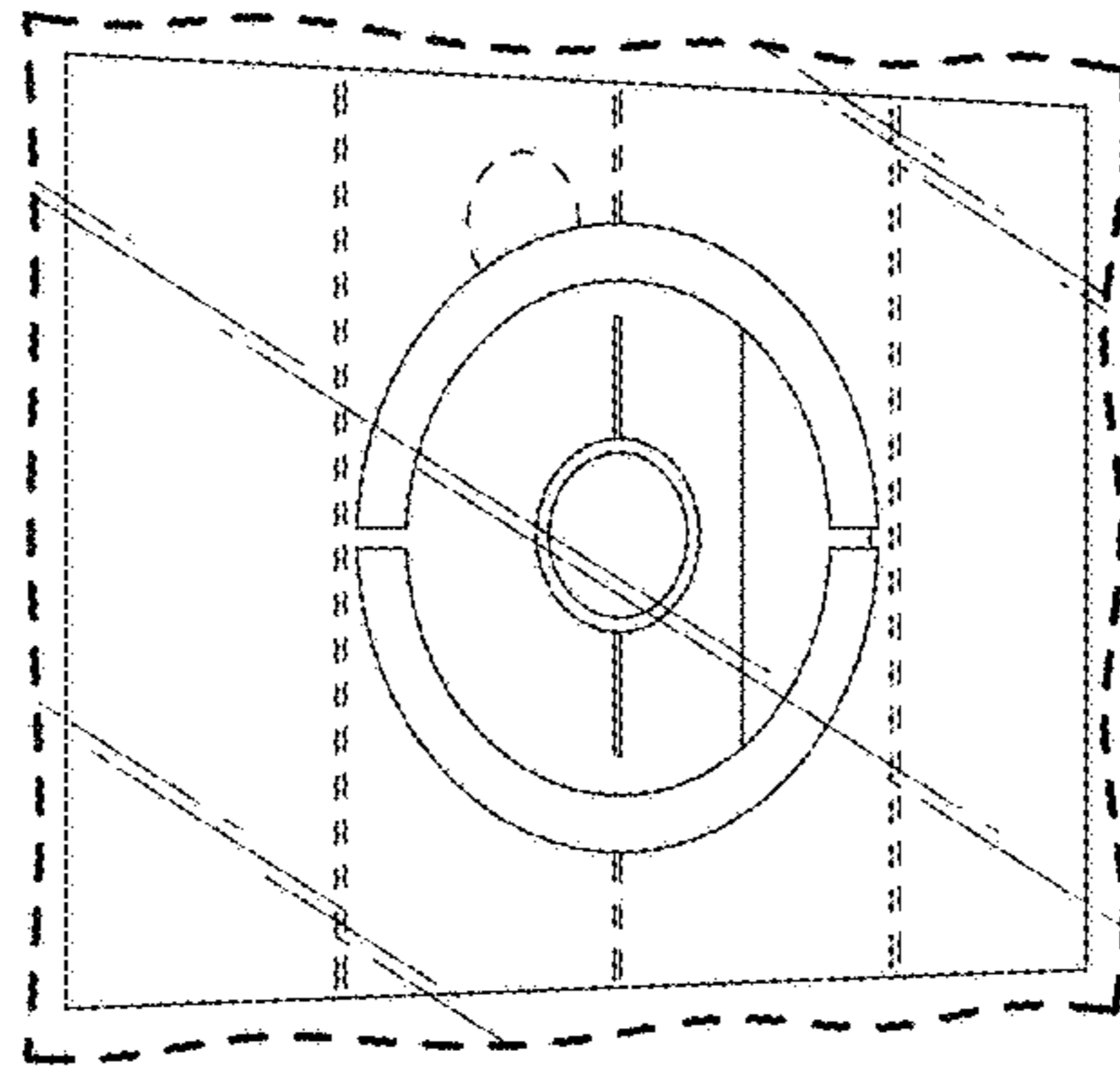


FIG. 6

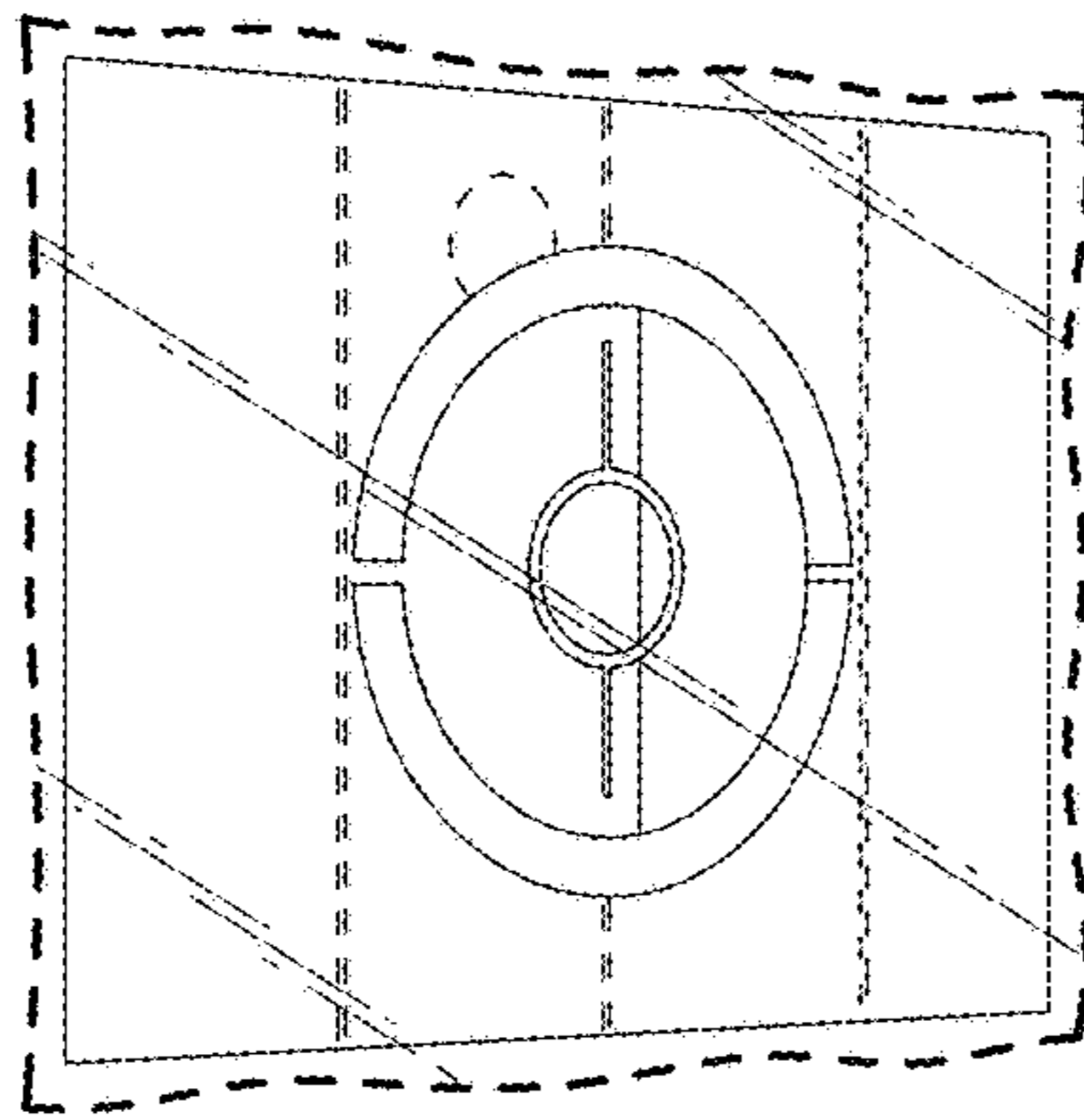


FIG. 7

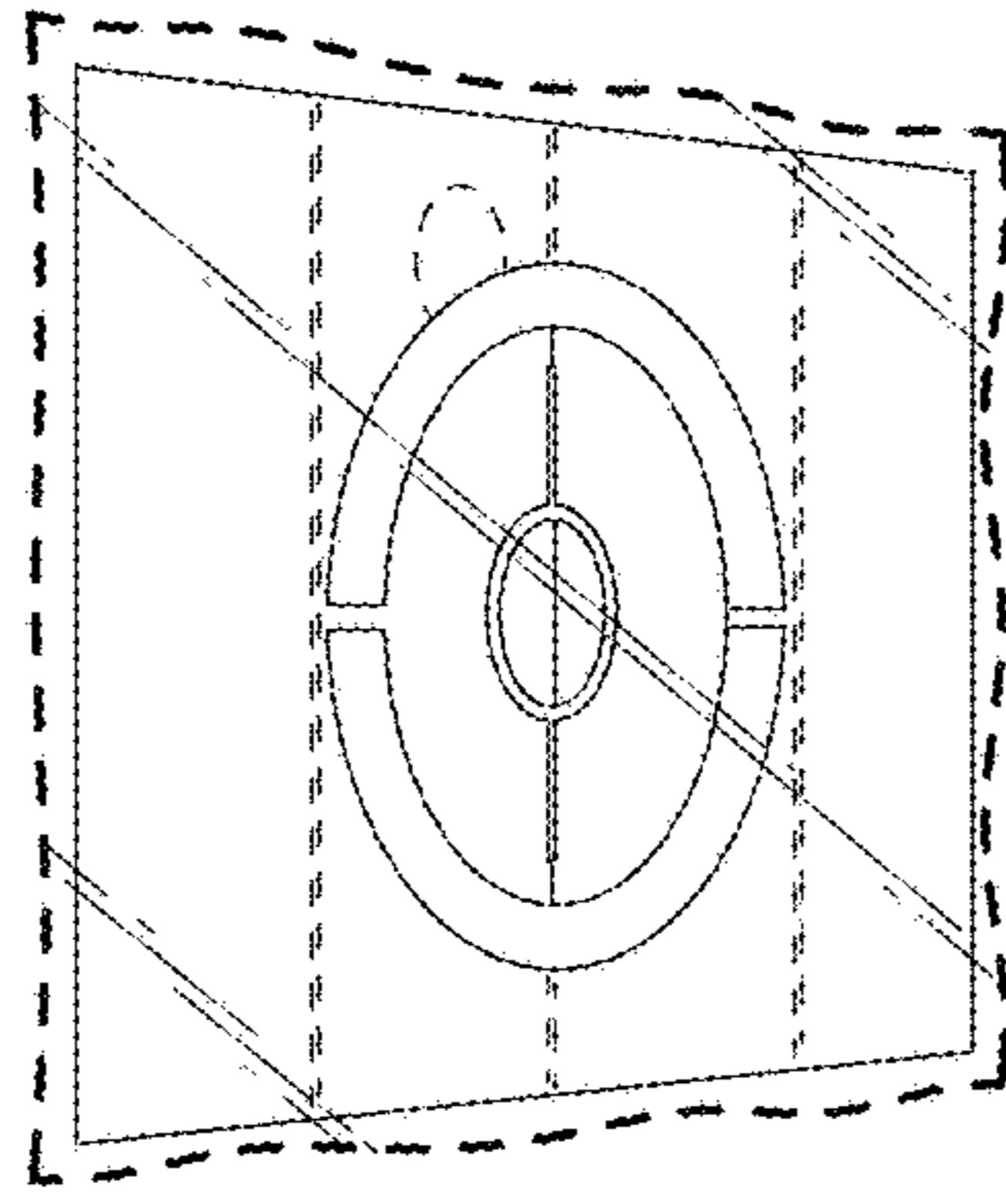


FIG. 8