



US00D804490S

(12) **United States Design Patent** (10) **Patent No.:** **US D804,490 S**  
**Wei** (45) **Date of Patent:** **\*\* Dec. 5, 2017**

(54) **FOLDABLE STAND**  
(71) Applicant: **Luo Wei**, Guangdong (CN)  
(72) Inventor: **Luo Wei**, Guangdong (CN)  
(\*\*) Term: **15 Years**  
(21) Appl. No.: **29/587,900**  
(22) Filed: **Dec. 16, 2016**  
(51) **LOC (10) Cl.** ..... **08-07**  
(52) **U.S. Cl.**  
USPC ..... **D14/447**  
(58) **Field of Classification Search**  
USPC ..... D14/447, 432, 434, 439, 440, 451, 452,  
D14/457, 239; D8/363, 373, 380, 406.3,  
D8/406.4, 406.5, 406.6; D12/415  
CPC ..... A47B 21/04; A47B 2097/006; A47B  
2097/005; A47B 2023/049; A45C  
2011/002; A45C 2011/003; F16M  
2200/00; F16M 13/00  
See application file for complete search history.

D714,791 S 10/2014 Liu  
D715,802 S 10/2014 Connor  
D721,710 S 1/2015 Messing  
D728,581 S 5/2015 Feinberg et al.  
D732,543 S 6/2015 Westrup et al.  
D733,155 S \* 6/2015 van Hooft ..... D14/447  
D746,292 S \* 12/2015 Heckler ..... 14/447  
D750,634 S 3/2016 Langhein  
9,360,892 B2 \* 6/2016 Heckler ..... G06F 1/1633  
9,377,810 B2 6/2016 Hishinuma  
D784,355 S \* 4/2017 Hsu ..... 14/447  
D786,883 S \* 5/2017 Chen ..... 14/447  
2004/0007649 A1 1/2004 Vettraino  
2005/0121594 A1 6/2005 Kuo

(Continued)

**OTHER PUBLICATIONS**

US Trademark Serial No. 86198474; Word Mark—Huion.  
(Continued)

*Primary Examiner* — Angela J Lee  
(74) *Attorney, Agent, or Firm* — Raj Abhyanker, P.C.

(57) **CLAIM**

The ornamental design for a foldable stand, as shown and described.

**DESCRIPTION**

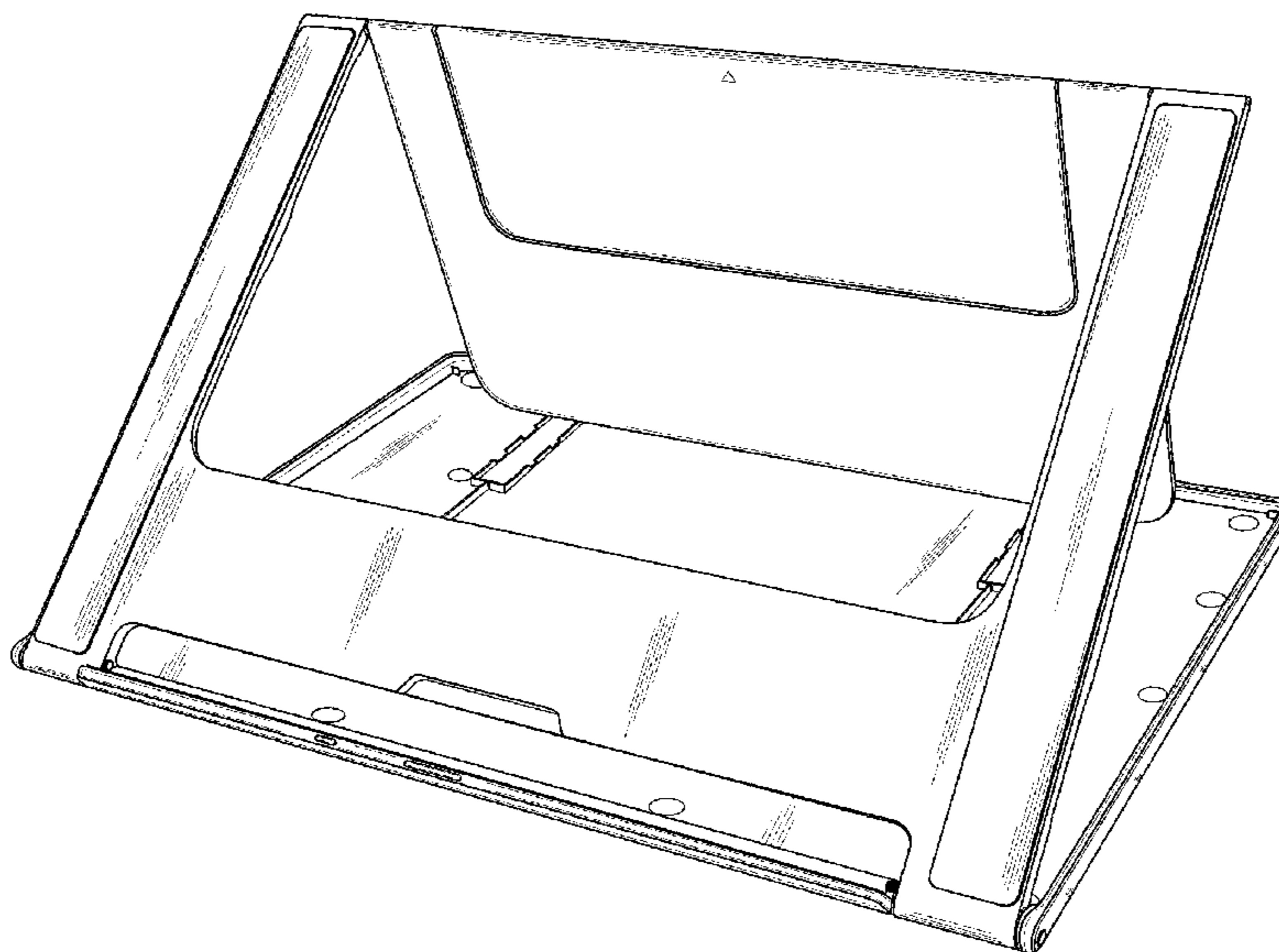
FIG. 1 is a front right perspective view for a foldable stand, showing my new design in an unfolded state;  
FIG. 2 is a rear right perspective view of FIG. 1 thereof;  
FIG. 3 is a front top perspective view of the foldable stand of FIG. 1 in a folded state thereof;  
FIG. 4 is a rear top perspective view of FIG. 3 thereof;  
FIG. 5 is a left side top perspective view of FIG. 3 thereof;  
FIG. 6 is a right side top perspective view of FIG. 3 thereof;  
FIG. 7 is a top plan view of FIG. 3 thereof; and,  
FIG. 8 is a bottom plan view of FIG. 3 thereof.

**1 Claim, 8 Drawing Sheets**

(56) **References Cited**

**U.S. PATENT DOCUMENTS**

4,618,119 A 10/1986 Powell  
D378,676 S 4/1997 Goodman et al.  
D513,008 S 12/2005 Takizawa et al.  
D577,361 S 9/2008 Beilstein et al.  
D650,784 S \* 12/2011 Feldstein ..... D14/434  
D670,703 S 11/2012 Hasbrook et al.  
D676,853 S 2/2013 Gengler  
D678,886 S 3/2013 Heckler  
D689,501 S 9/2013 Fong  
D690,305 S 9/2013 Wen  
D700,186 S 2/2014 Feng  
D703,214 S \* 4/2014 Lye ..... D14/447  
D705,785 S 5/2014 Wang  
D711,888 S 8/2014 Huebner  
8,800,937 B1 8/2014 Lee et al.



(56)

**References Cited**

U.S. PATENT DOCUMENTS

2008/0192424 A1 8/2008 Lee  
 2012/0224316 A1\* 9/2012 Shulenberger ..... G06F 1/1628  
 361/679.09  
 2012/0235008 A1 9/2012 Schwartz  
 2014/0291174 A1 10/2014 Chung  
 2015/0108316 A1 4/2015 Hou et al.

OTHER PUBLICATIONS

US Trademark Serial No. 87081191; Word Mark—Gaomon.  
 US Trademark Serial No. 86557131; Word Mark—Kenting.  
 US Trademark Serial No. 86502803; Word Mark—Litup.  
 US Trademark Serial No. 87007346; Word Mark—Inspiroy.  
 TriTilt adjustable laptop/tablet stand by Allsop, Found online [Feb. 22, 2017] <https://goo.gl/XJ1soz>.  
 Folding cell phone and tablet stand by Elecder, Found online [Feb. 22, 2017] [https://images-na.ssl-images-amazon.com/images/I/61csTpvS7RL.\\_SX522\\_.jpg](https://images-na.ssl-images-amazon.com/images/I/61csTpvS7RL._SX522_.jpg).  
 Portable folding adjustable stand holder by Ofspower, Found online [Feb. 22, 2017] <https://images-na.ssl-images-amazon.com/images/I/41owNOucbtL.jpg>.

Folding Scaffold Stand Dock Holder by Alloet, Found online [Feb. 22, 2017] <http://thumbs.ebaystatic.com/images/g/mmsAAOSw5cNYbwSA/s-l225.jpg>.  
 Universal Mini Kickstand by Imangoo, Found online [Feb. 22, 2017] [https://images-na.ssl-images-amazon.com/images/I/61kw1eoQX1L.\\_SX425\\_.jpg](https://images-na.ssl-images-amazon.com/images/I/61kw1eoQX1L._SX425_.jpg).  
 Universal Adjustable Folding Portable Mini Plastic Smart Mobile Cell Phone iPhone Holder Stand by Honsky, Found online [Feb. 22, 2017] [https://images-na.ssl-images-amazon.com/images/I/81LStm05BoL.\\_SL1500\\_.jpg](https://images-na.ssl-images-amazon.com/images/I/81LStm05BoL._SL1500_.jpg).  
 Mesh Collection Mobile Device and Tablet Stand by Rolodex, Found online [Feb. 22, 2017] <https://goo.gl/ukh12Z>.  
 Universal Foldable Adjustable Stand Holder Cradle by Estone, Found online [Feb. 22, 2017] <http://cdn3.volusion.com/qprvt.whvvr/v/vspfiles/photos/1422083951101-3.jpg?1429808471>.  
 Google Pixel XL Compatible Green Compact Portable Fold-up Stand Holder by SCDWireless, Found online [Feb. 22, 2017] <https://images-na.ssl-images-amazon.com/images/I/41t1-EJ7CkL.jpg>.  
 Adjustable Multi-Angle Portable Cell Phone Stand by ETable, Found online [Feb. 22, 2017] <https://images-na.ssl-images-amazon.com/images/I/41DB1ma%2B7IL.jpg>.

\* cited by examiner

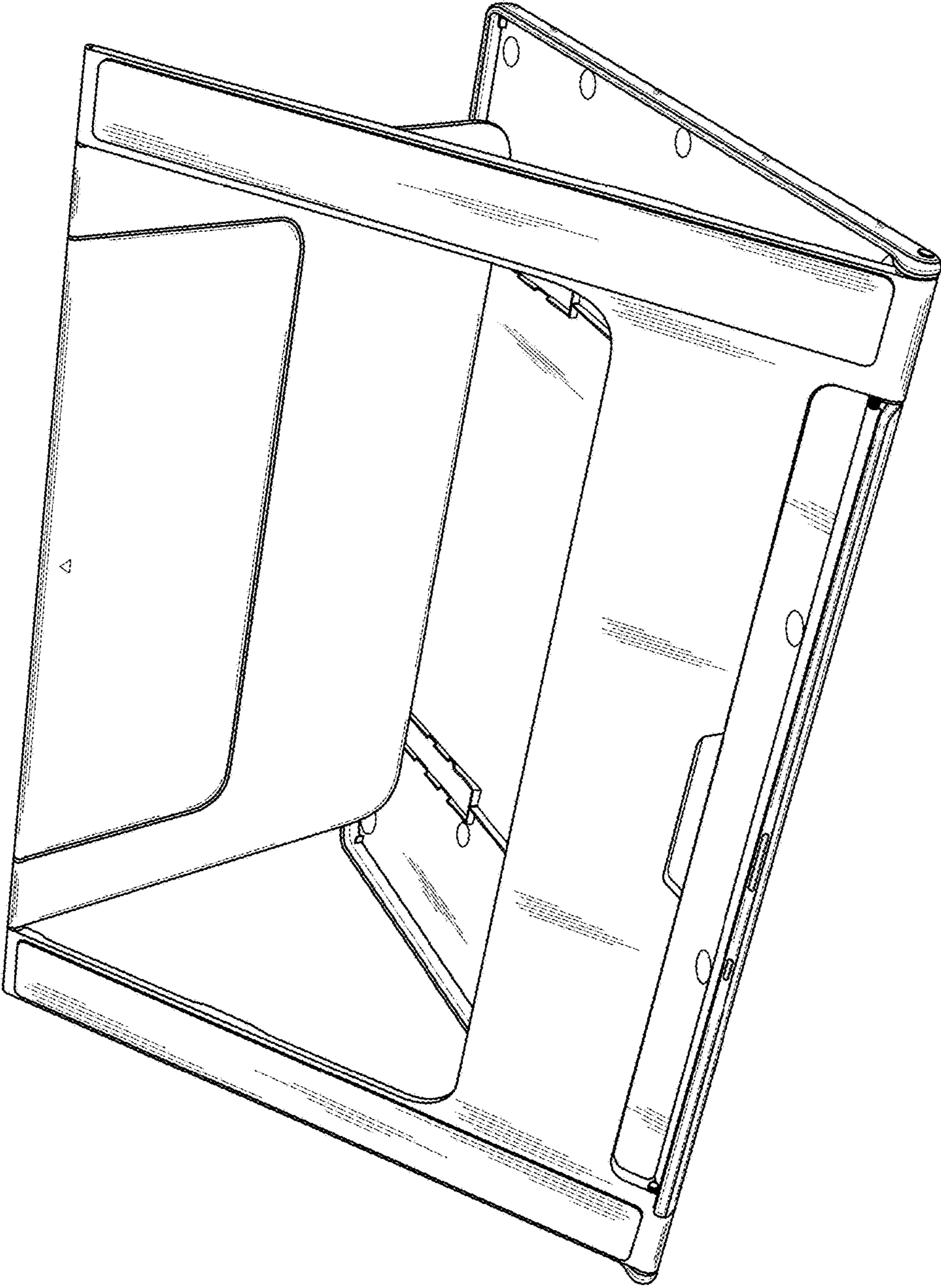


FIG. 1

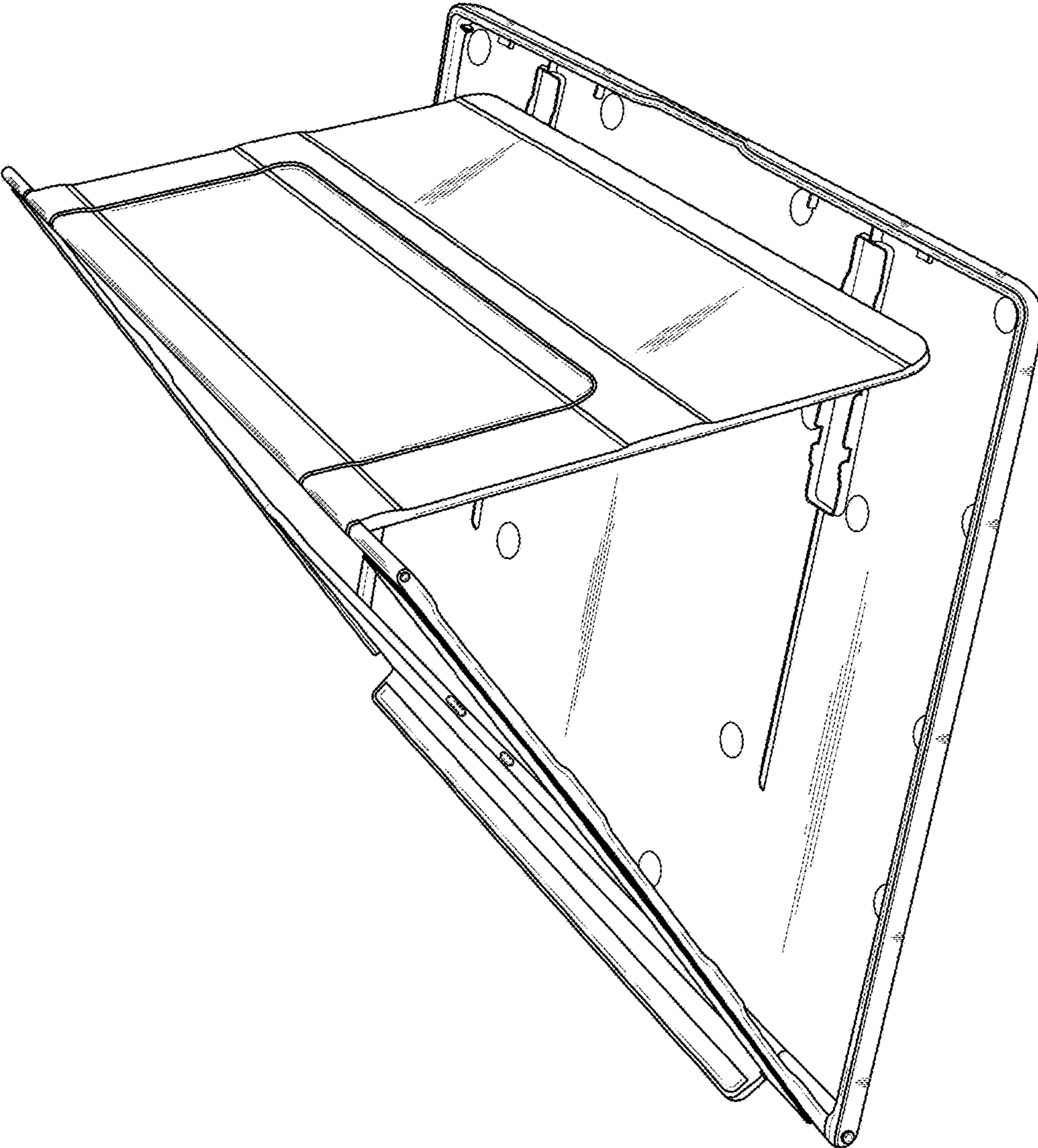


FIG. 2

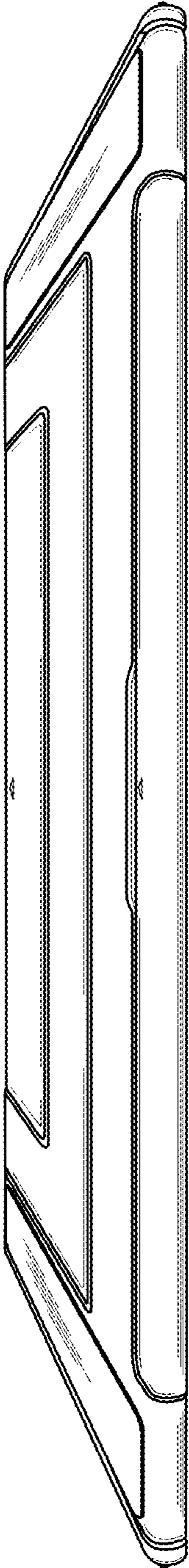


FIG. 3

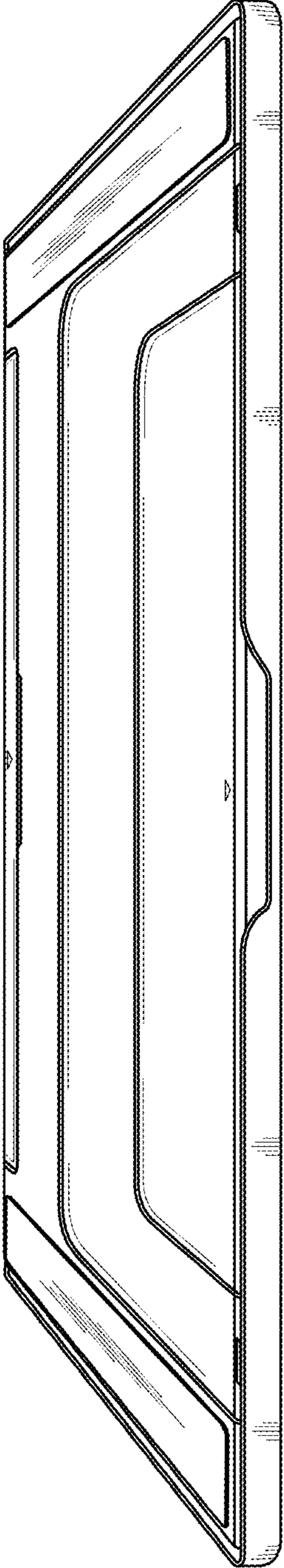


FIG. 4

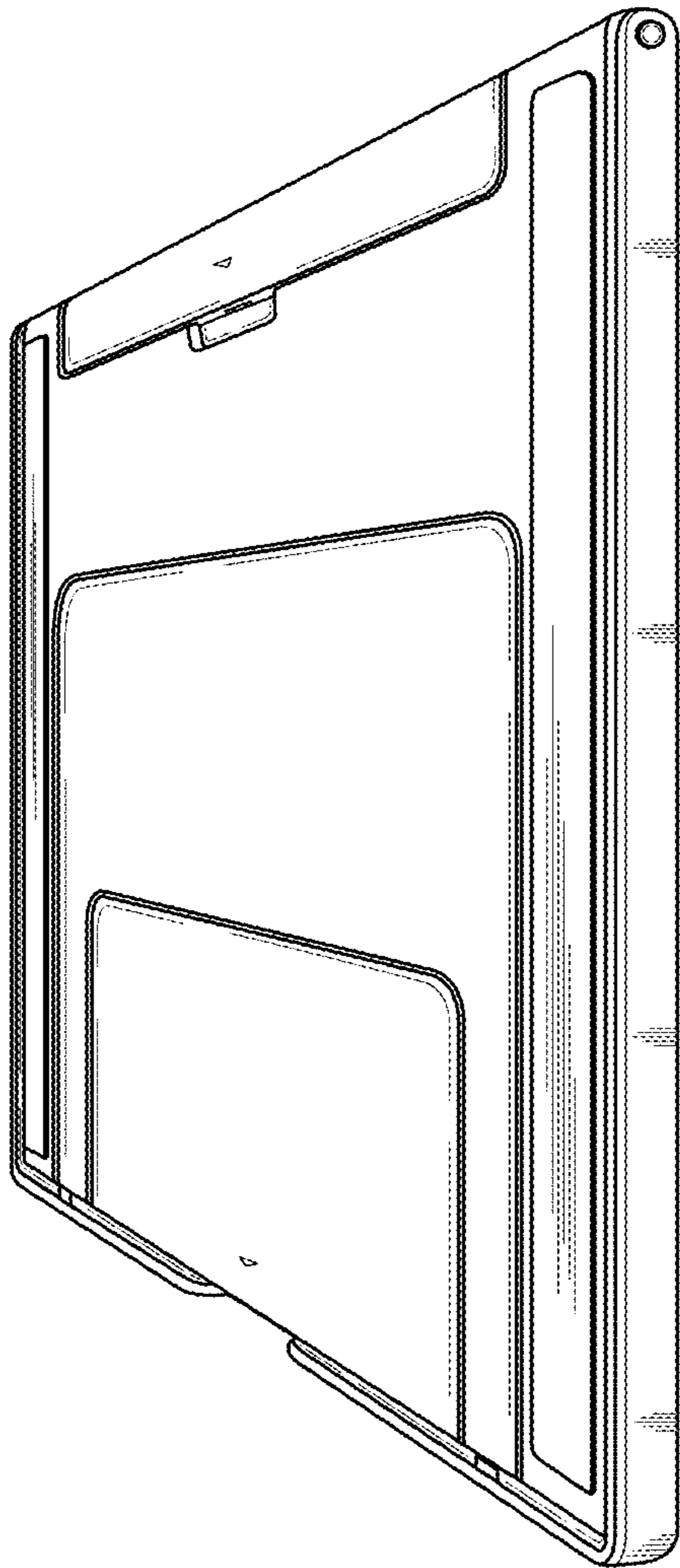


FIG. 5

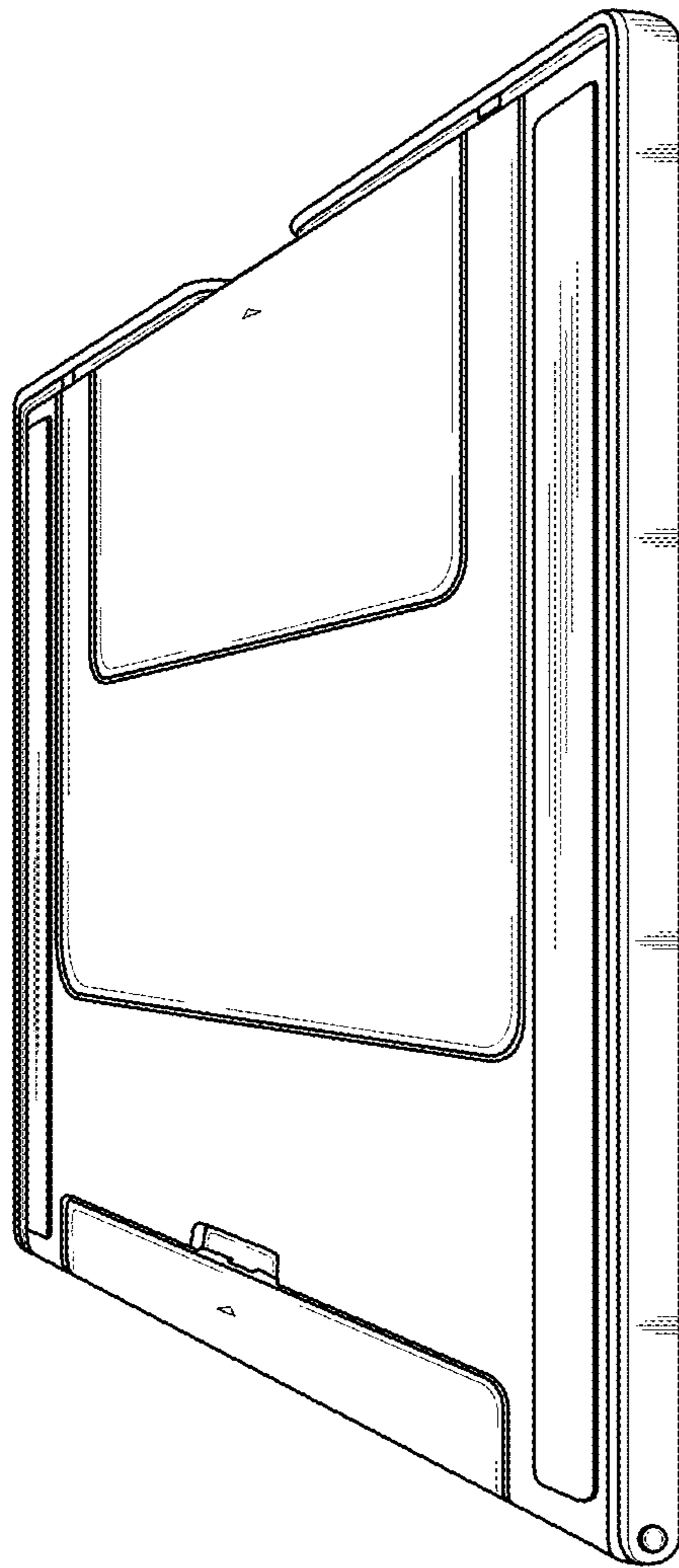


FIG. 6



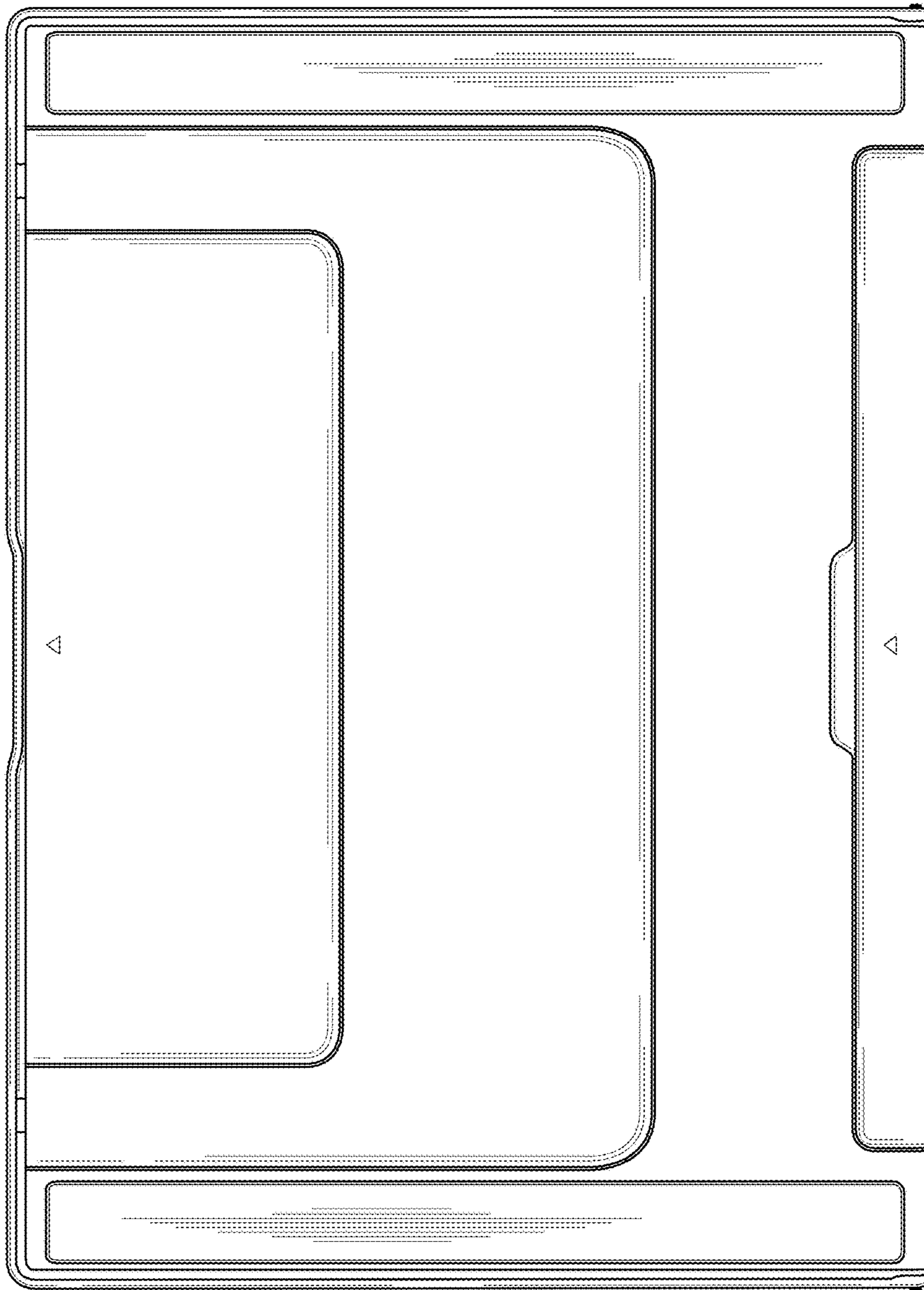


FIG. 7

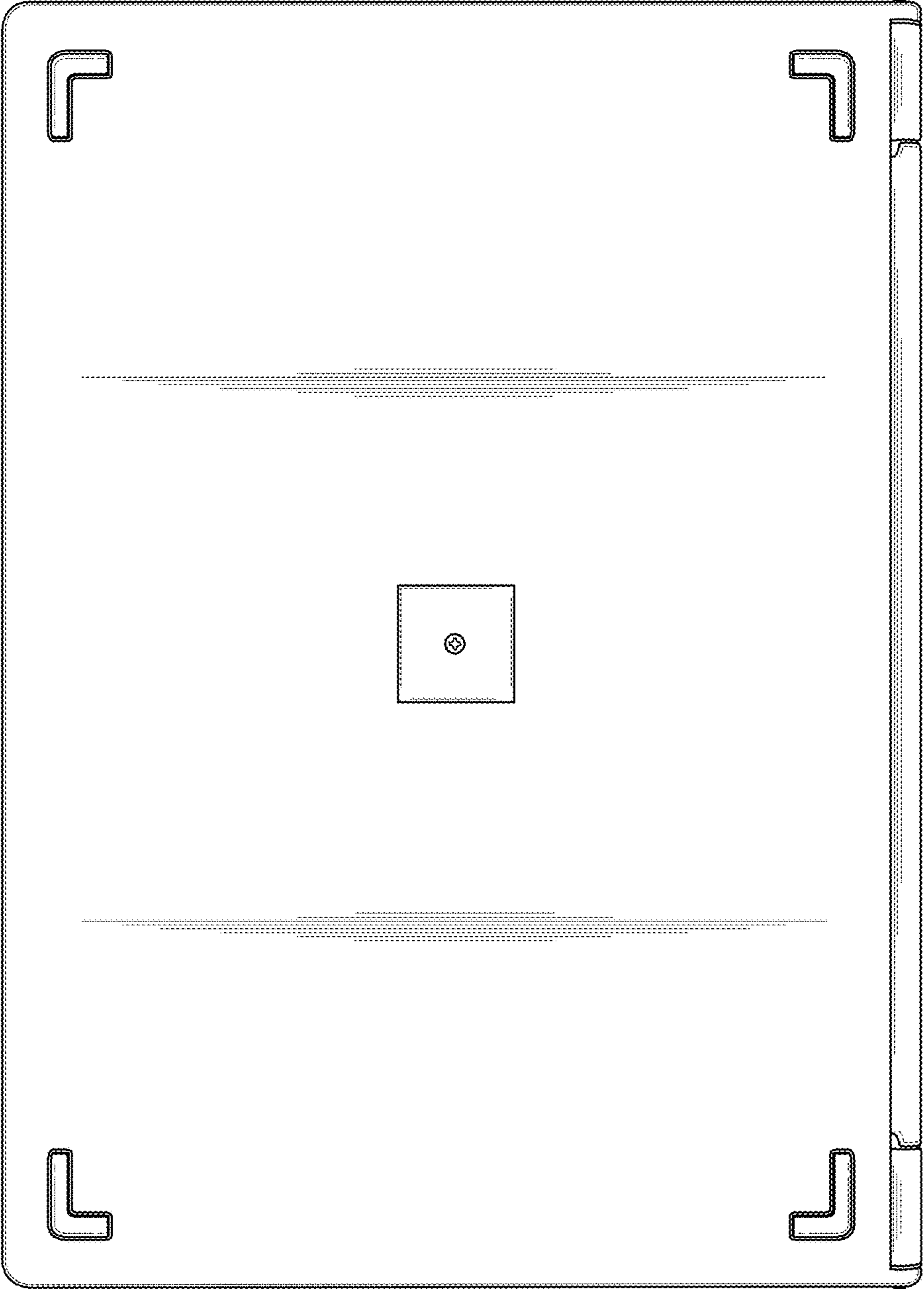


FIG. 8