

US00D804488S

(12) **United States Design Patent** (10) **Patent No.:** **US D804,488 S**
Burns et al. (45) **Date of Patent:** **** Dec. 5, 2017**

(54) **TABLET STAND**
(71) Applicant: **VANTAGE POINT PRODUCTS CORP.**, Santa Fe Springs, CA (US)
(72) Inventors: **Don Burns**, Santa Fe Springs, CA (US); **Glenn Hamilton**, Santa Fe Springs, CA (US)
(73) Assignee: **Vantage Point Products Corp.**, Santa Fe Springs, CA (US)

D714,281 S * 9/2014 Reznik D14/251
D743,924 S * 11/2015 Hillenmayer D14/142
D746,292 S 12/2015 Heckler
D748,935 S * 2/2016 Jiang D14/235
D750,088 S * 2/2016 Reznik D14/447
9,360,892 B2 6/2016 Heckler
D760,723 S 7/2016 Won et al.
D760,724 S * 7/2016 Kang D14/447
D762,650 S 8/2016 Dang et al.
D772,216 S * 11/2016 Lau D13/108
D777,166 S 1/2017 Bidwell et al.
D777,251 S * 1/2017 Reches D18/59

(Continued)

(**) Term: **15 Years**

OTHER PUBLICATIONS

(21) Appl. No.: **29/579,894**

<https://www.compulocks.com/grip-and-dock-tablet-stand-secure-tablet-hand-grip-tablet-mobile-security-solution.html>, 3 pages, May 30, 2017.

(22) Filed: **Oct. 4, 2016**

(51) **LOC (10) Cl.** **08-07**

(Continued)

(52) **U.S. Cl.**

USPC **D14/447**

(58) **Field of Classification Search**

USPC D14/447, 432, 434, 439, 440, 451, 452, D14/457, 239; D8/363, 373, 380, 406.3, D8/406.4, 406.5, 406.6; D12/415

CPC A47B 21/04; A47B 2097/006; A47B 2097/005; A47B 2023/049; A45C 2011/002; A45C 2011/003; F16M 2200/00; F16M 13/00

See application file for complete search history.

Primary Examiner — Angela J Lee

(74) *Attorney, Agent, or Firm* — Lewis Roca Rothgerber Christie LLP

(57)

CLAIM

The ornamental design for a tablet stand, as shown and described.

DESCRIPTION

FIG. 1 is a front perspective view of a tablet stand; FIG. 2 is a front view thereof; FIG. 3 is a back view thereof; FIG. 4 is a right side view thereof; FIG. 5 is a left side view thereof; FIG. 6 is a top view thereof; and, FIG. 7 is a front perspective view showing a tablet being used with the tablet stand.

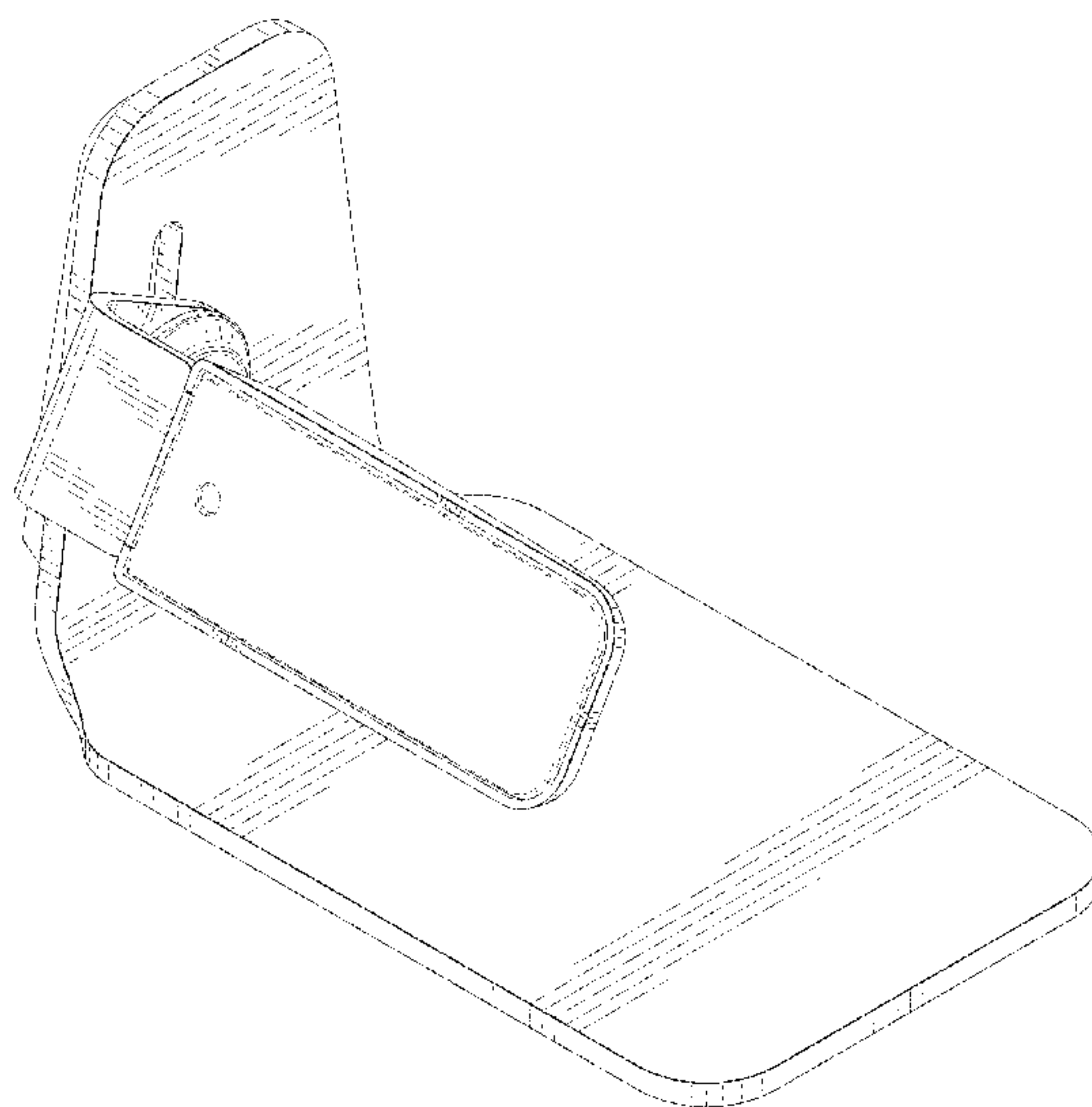
The broken lines shown in the drawings depict environmental structure that forms no part of the claimed design.

1 Claim, 7 Drawing Sheets

(56) **References Cited**

U.S. PATENT DOCUMENTS

D471,906 S * 3/2003 Salazar D13/108
D494,182 S * 8/2004 Singer D14/447
D549,232 S * 8/2007 Li D14/434
D649,153 S 11/2011 Symons
D676,450 S 2/2013 Lye
D678,886 S 3/2013 Heckler
D703,676 S 4/2014 Smith et al.
D708,187 S 7/2014 Xiang
D712,905 S * 9/2014 Miyazaki D14/447



(56)

References Cited

U.S. PATENT DOCUMENTS

2007/0075195 A1* 4/2007 Chen F16M 11/08
248/157

OTHER PUBLICATIONS

<https://www.compulocks.com/hovertab-security-ipad-lock-stand-best-universal-display-tablet-lock-stand.html>, 2 pages, May 30, 2017.

* cited by examiner

FIG. 1

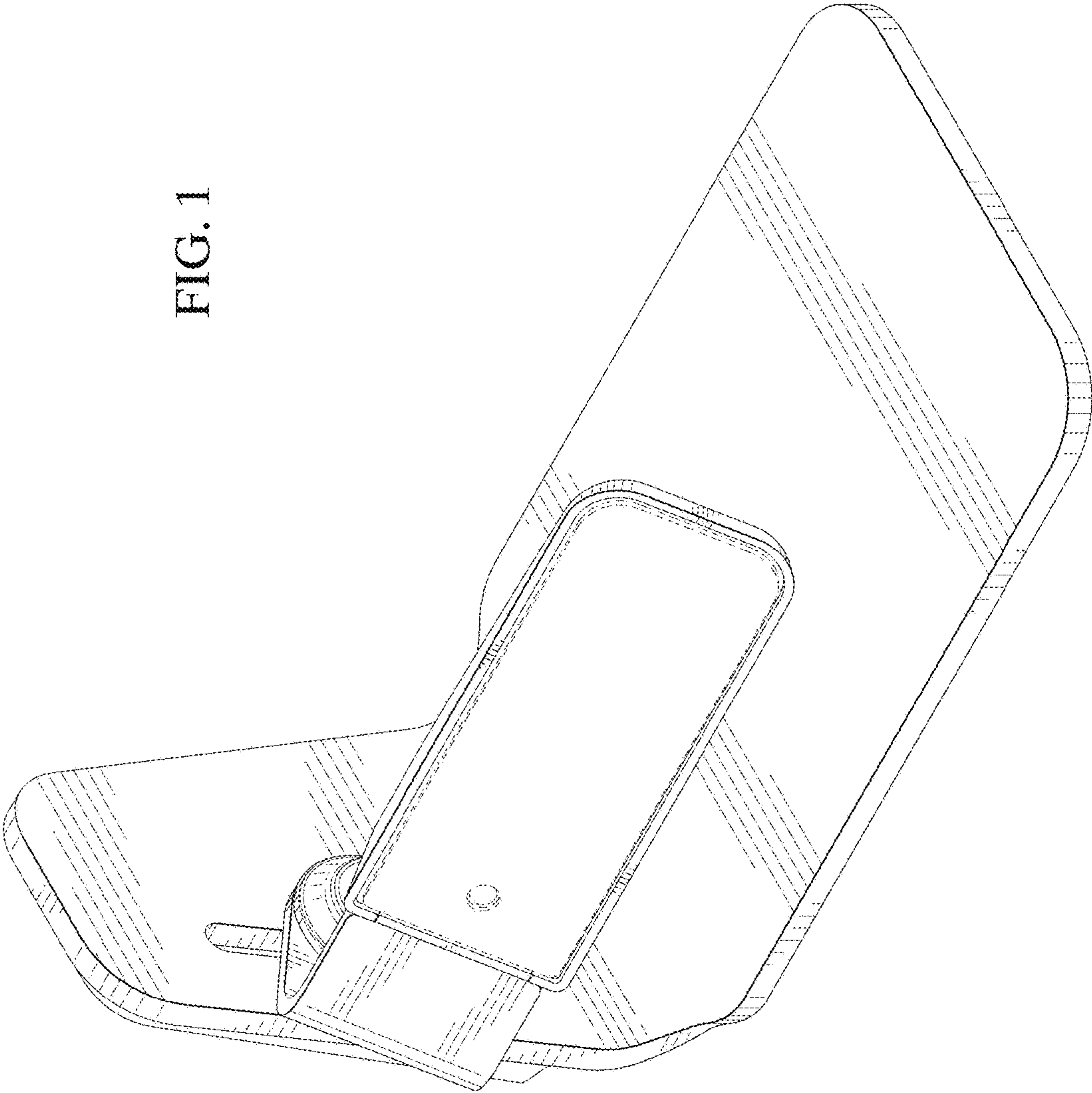


FIG. 2

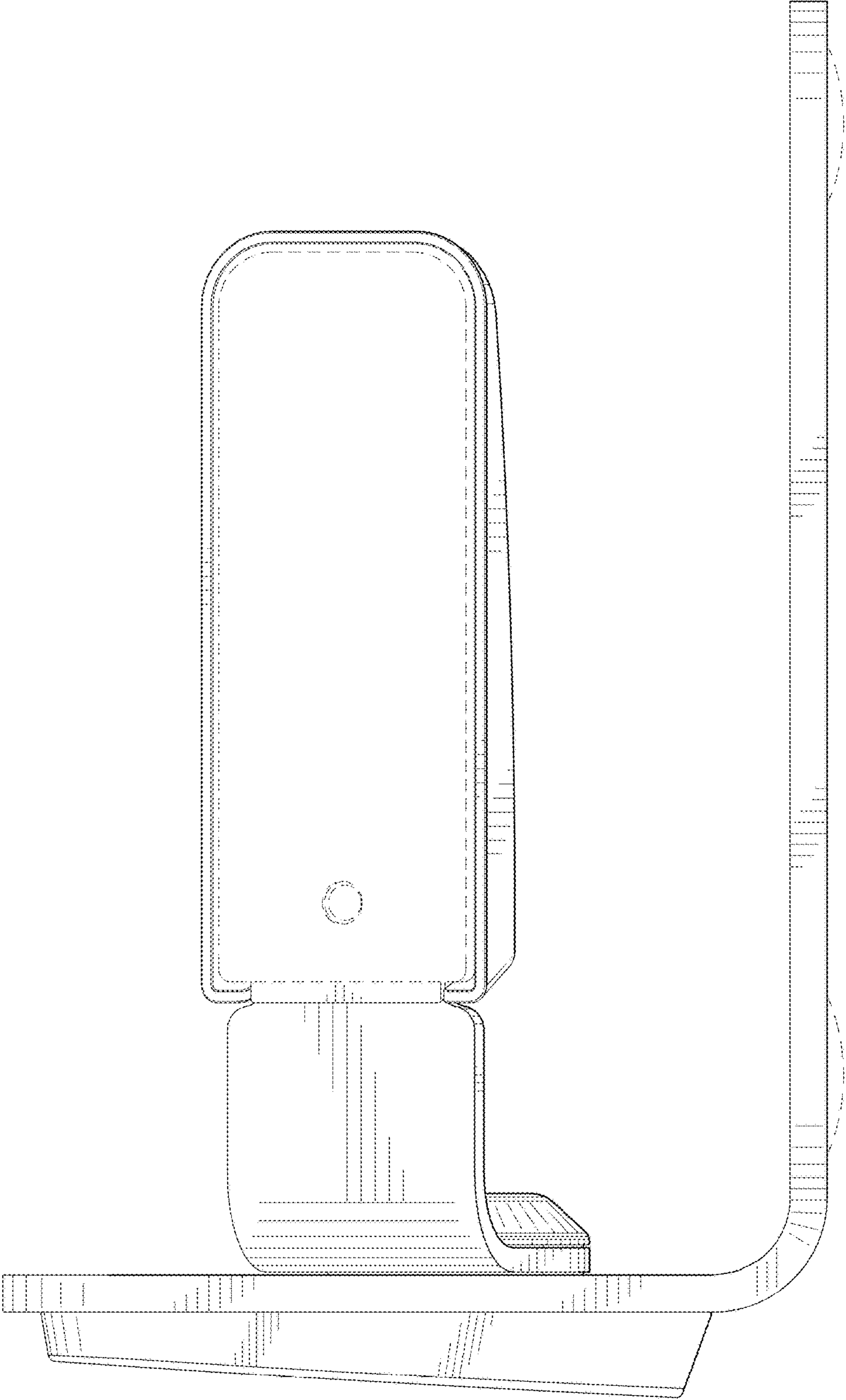


FIG. 3

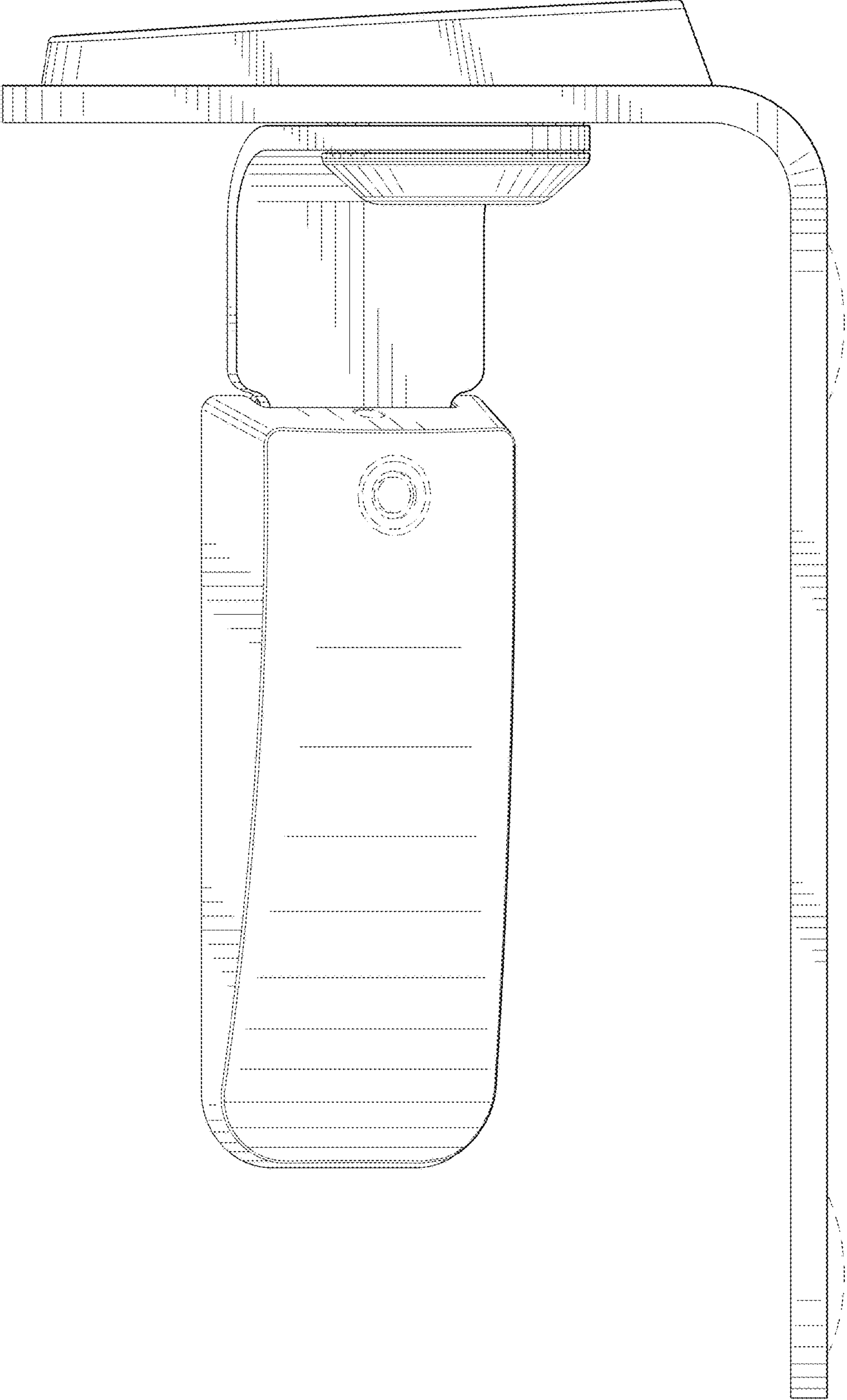


FIG. 4

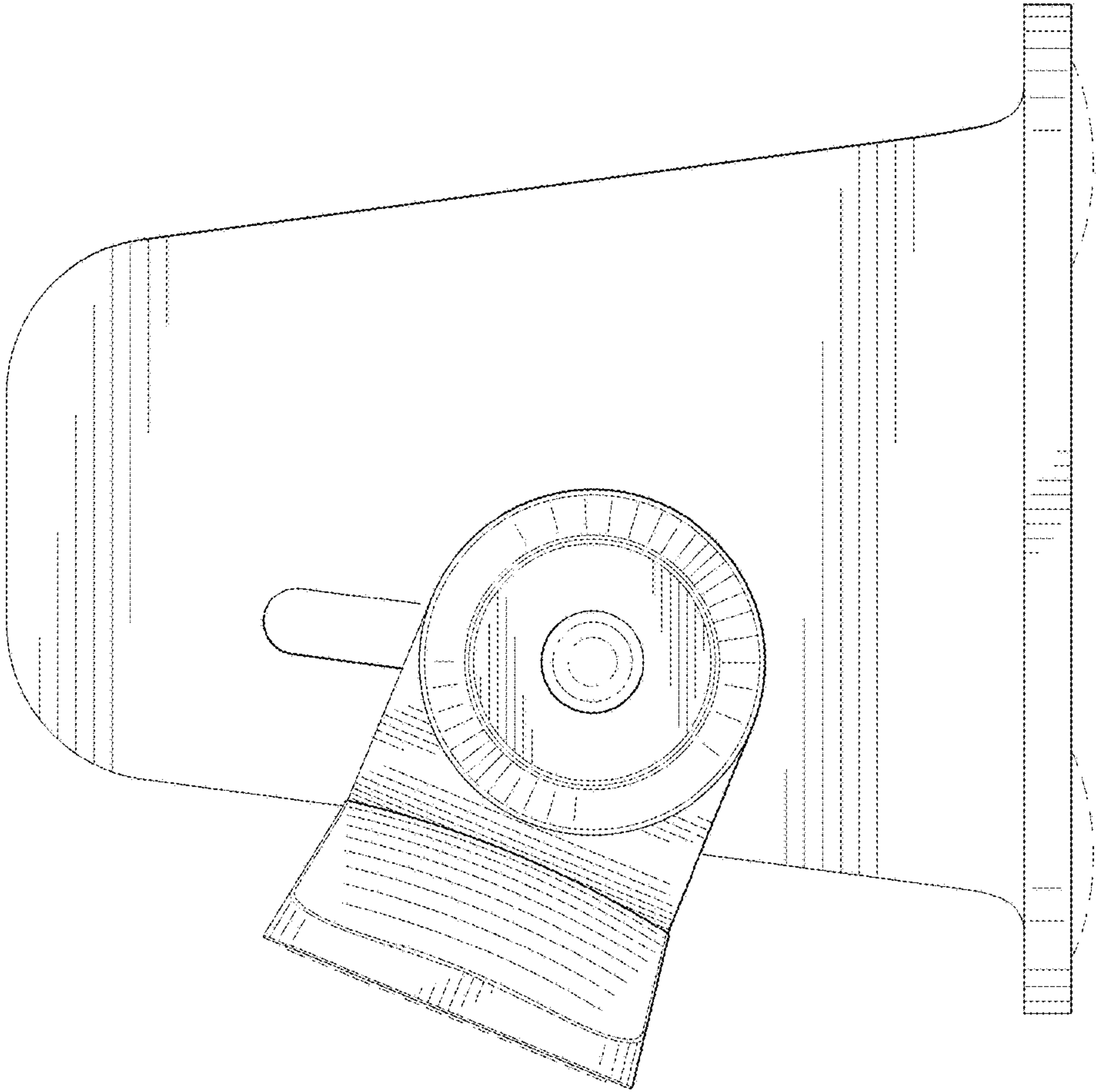


FIG. 5

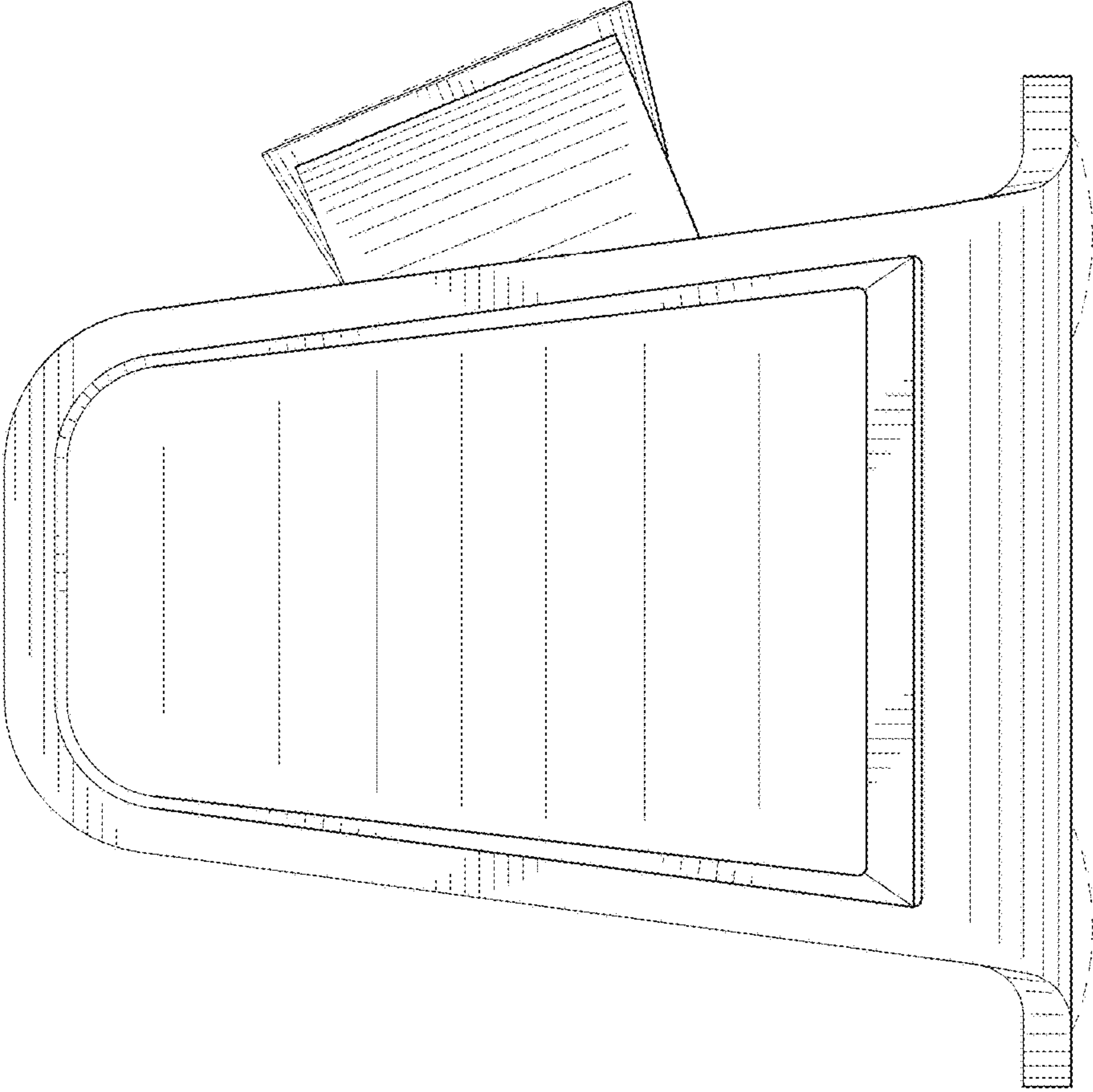


FIG. 6

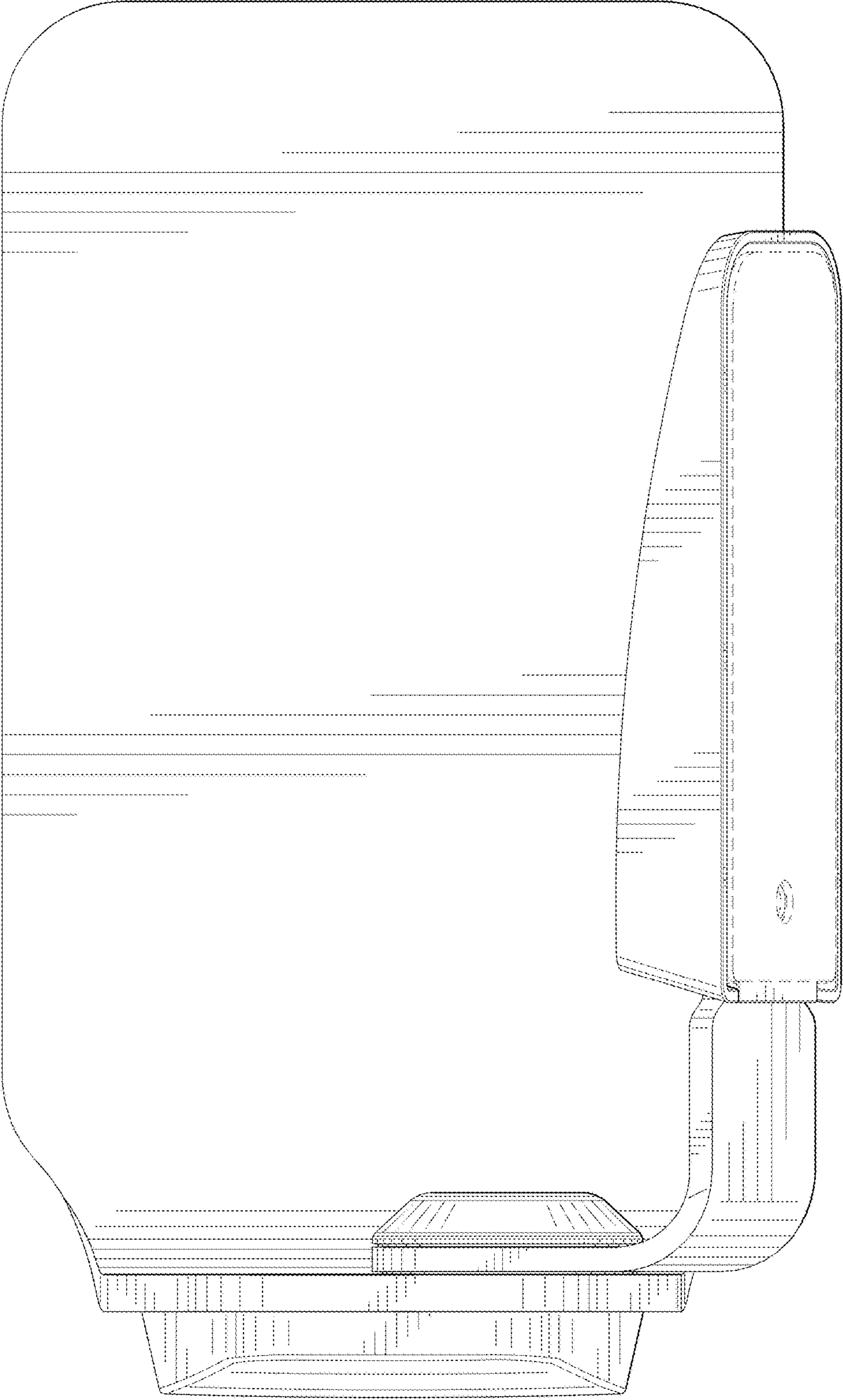


FIG. 7

