



US00D804484S

(12) **United States Design Patent**
Kim et al.

(10) **Patent No.: US D804,484 S**

(45) **Date of Patent: ** Dec. 5, 2017**

(54) **MEMORY CARD SOCKET**

(71) Applicant: **Molex, LLC**, Lisle, IL (US)

(72) Inventors: **Eun Guk Kim**, Ansan (KR); **Da Woon Lee**, Ansan (KR)

(73) Assignee: **Molex, LLC**, Lisle, IL (US)

(**) Term: **15 Years**

(21) Appl. No.: **29/548,541**

(22) Filed: **Dec. 15, 2015**

(30) **Foreign Application Priority Data**

Nov. 4, 2015 (KR) 30-2015-0055555

(51) **LOC (10) Cl.** **14-02**

(52) **U.S. Cl.**
USPC **D14/435**

(58) **Field of Classification Search**
USPC D14/435, 436; D13/146, 147, 133;
361/752-760, 732, 734, 737, 784, 796,
361/725, 727, 679.32, 801-803, 684;
439/629-633, 541.5, 188, 488, 489,
439/325-331, 266-275, 342, 587-589,
439/540.1, 569-573, 527, 607.33, 147,
439/160, 153, 159, 377, 379, 155, 156,
439/380, 946, 157, 260, 638, 55, 65, 64,
439/607.01, 607.02, 296, 108, 345, 928.1,
439/607.07, 607.13, 626, 923, 679.31,
439/679.32, 679.33, 679.38, 679.58,
439/679.59, 607.22, 607.29, 607.31;
200/51.09, 51.11

CPC G06K 13/0825; G06K 13/085; G06K
13/0856; G06K 13/0806; G06K 13/0862;
G06K 13/0831; G06K 13/08; G06K
13/0818; G06K 13/14; G06K 7/0021;
G06K 7/0073; G06K 7/0013; G06K
7/0026; G06K 7/003; G06K 7/0069;
G06K 7/0043; G06K 7/0078; G06K
7/0047; G06K 7/0052; G06K 7/0056;
G06K 7/00; G06K 7/006; G06K 7/0034;

G06K 19/07309; H05K 7/1409; H05K
7/14; H05K 7/1405; H05K 7/1408; H05K
7/1417; H05K 7/1418; H05K 7/142;
H05K 7/1427; H05K 7/1461; H05K
7/1474; H05K 7/1422; H05K 7/1424;
H05K 7/1452; H05K 7/1454; H05K
5/0269; H05K 5/0256; H05K 5/0295;
H05K 5/0217; G06F

(Continued)

(56) **References Cited**

U.S. PATENT DOCUMENTS

5,716,221 A * 2/1998 Kantner G06K 19/077
361/737
5,823,828 A * 10/1998 Bricaud G06K 7/0021
439/630

(Continued)

Primary Examiner — Susan Moon Lee

(74) *Attorney, Agent, or Firm* — James A. O'Malley

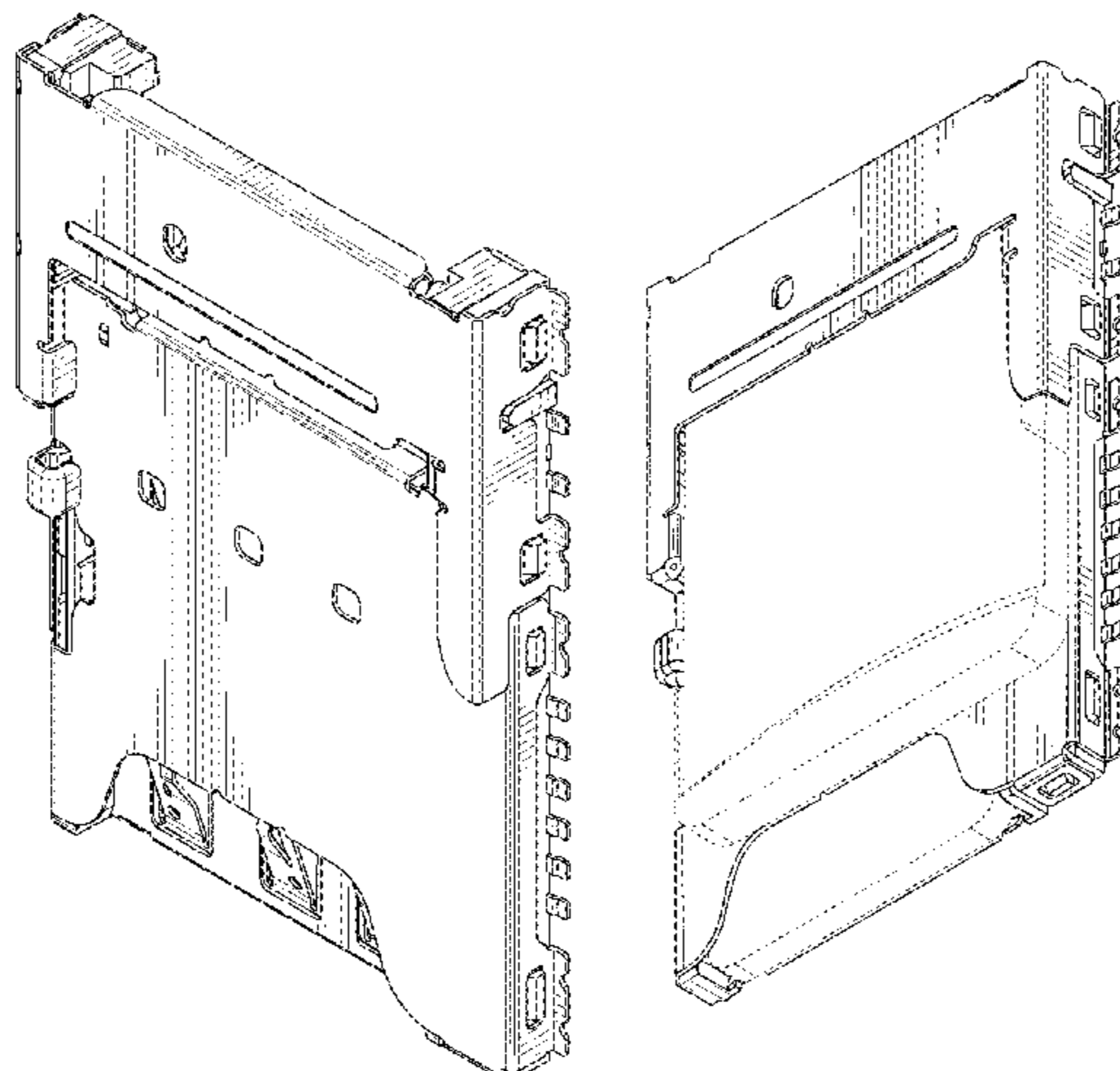
(57) **CLAIM**

The ornamental design for a memory card socket, as shown and described.

DESCRIPTION

FIG. 1 is a perspective view of a memory card socket showing our new design;
FIG. 2 is a top view of the memory card socket;
FIG. 3 is a bottom view of the memory card socket;
FIG. 4 is a left side view of the memory card socket;
FIG. 5 is a right side view of the memory card socket;
FIG. 6 is a rear view of the memory card socket;
FIG. 7 is a front view of the memory card socket; and,
FIG. 8 is an alternative perspective view of the memory card socket where a microSD card and a nano SIM card are positioned within the memory card socket.
The microSD card and the nano SIM card illustrated in FIG. 8 do not form a part of the claimed design, but rather are illustrated to show environment.

1 Claim, 7 Drawing Sheets



(58) **Field of Classification Search**

CPC 1/184; G06F 1/185; H01R 13/00; H01R 13/2442; H01R 13/701; H01R 13/64; H01R 13/70; H01R 13/46; H01R 13/703; H01R 13/24; H01R 13/6335; H01R 13/633; H01R 13/635; H01R 13/642; H01R 13/7031-13/7035; H01R 13/629; H01R 13/52; H01R 13/62988; H01R 13/62933; H01R 13/16683; H01R 13/6581; H01R 13/65802; H01R 13/5219; H01R 24/62; H01R 27/00; H01R 27/02; H01R 12/88; H01R 12/721; H01R 12/7094; H01R 12/55; H01R 12/57; H01R 12/89; H01R 12/716; H01R 12/714; H01R 23/7068; H04B 1/3816; H04B 1/3818; Y10S 439/923; H01H 9/0271; G06H 13/085; H04M 1/0202; H04M 1/026

See application file for complete search history.

(56) **References Cited**

U.S. PATENT DOCUMENTS

6,015,311 A * 1/2000 Benjamin G06K 7/0021
235/441
6,050,848 A * 4/2000 Yao H01R 31/06
439/483
6,095,868 A * 8/2000 Hyland G06K 7/0021
439/630
6,099,337 A * 8/2000 Chan G06K 7/0021
361/737
6,126,464 A * 10/2000 Chang H01R 12/7094
235/441
6,162,075 A * 12/2000 Hara H01R 13/633
439/159
6,219,256 B1 * 4/2001 Wu H05K 5/0265
361/759
6,234,810 B1 * 5/2001 Schnell G06K 7/0021
439/76.1
6,241,545 B1 * 6/2001 Bricaud G06K 7/0021
439/326
6,379,167 B1 * 4/2002 Zhang G06K 13/08
439/157
6,402,529 B2 * 6/2002 Saito G06K 7/0021
361/737
6,609,936 B2 * 8/2003 Bricaud H01R 13/635
439/108
6,652,299 B2 * 11/2003 Sato G06K 13/08
439/152
6,840,807 B2 * 1/2005 Ooya H01R 23/6873
439/607.01
6,976,880 B1 * 12/2005 Chi-te G06K 7/0069
439/159
7,018,234 B2 * 3/2006 Tanigawa H01R 29/00
439/541.5
7,052,316 B2 * 5/2006 Tanigawa G06K 13/0825
439/159
D523,860 S * 6/2006 Xu D14/436
7,081,020 B1 * 7/2006 Lee G06K 13/08
439/630
7,112,095 B2 * 9/2006 Shen G06K 7/0013
439/138
7,118,420 B1 * 10/2006 Lai H01R 13/64
439/630
7,137,836 B2 * 11/2006 Lu H01R 13/7035
439/188
D535,258 S * 1/2007 Sasaki D13/147
7,160,129 B2 * 1/2007 Yin H01R 12/89
439/326
7,175,452 B1 * 2/2007 Lin H01R 13/629
439/159

7,220,138 B2 * 5/2007 Miyamoto G06K 13/0806
439/159
D546,288 S * 7/2007 Hsu D13/147
7,261,577 B1 * 8/2007 Lai G06K 7/0021
439/159
D559,188 S * 1/2008 Chiang D13/147
D559,787 S * 1/2008 Sasaki D13/147
7,329,134 B2 * 2/2008 Hsu G06K 13/08
439/159
7,341,466 B1 * 3/2008 Kondo H01R 13/641
439/159
D566,655 S * 4/2008 Chen D13/147
7,351,109 B2 * 4/2008 Wang H01R 13/2442
439/631
7,361,037 B2 * 4/2008 Kanazawa H01R 13/6335
439/159
7,364,820 B2 * 4/2008 Tanaka G06K 13/08
439/630
D568,250 S * 5/2008 Wu D13/147
D569,346 S * 5/2008 Wu D13/147
7,367,827 B2 * 5/2008 Chen G06K 13/08
439/159
7,371,079 B2 * 5/2008 Yang G06K 7/0021
439/630
7,381,069 B2 * 6/2008 Saito H01R 13/6335
439/159
D576,954 S * 9/2008 Hsiao D13/147
7,427,206 B2 * 9/2008 Takei G06K 13/0831
439/159
7,435,115 B2 * 10/2008 Kiryu H01R 13/631
439/159
7,448,890 B2 * 11/2008 Ting G06K 13/0806
439/159
7,467,959 B2 * 12/2008 Matsukawa G06K 7/0047
439/159
7,481,686 B2 * 1/2009 Uchida G06K 7/0021
439/630
7,507,098 B1 * 3/2009 Hung H01R 13/633
439/159
7,517,251 B2 * 4/2009 Richter G06K 7/0013
439/620.04
7,540,783 B2 * 6/2009 Lai G06K 7/0021
439/630
7,578,703 B2 * 8/2009 Hsiao G06K 7/0021
439/159
7,632,117 B1 * 12/2009 Van der Steen G06K 13/08
439/159
7,635,276 B1 * 12/2009 Chu H01R 13/2442
439/326
7,637,759 B2 * 12/2009 Kobayashi G06K 13/08
439/153
7,645,166 B1 * 1/2010 Wang H01R 13/641
439/488
7,699,661 B2 * 4/2010 Wu G06K 13/0862
439/630
7,717,724 B2 * 5/2010 Yu G06K 13/08
439/159
7,766,678 B1 * 8/2010 Abe H05K 5/0295
439/159
7,794,249 B2 * 9/2010 Yu H01R 13/633
439/159
7,833,063 B2 * 11/2010 Matsumoto G06K 7/0021
439/630
7,866,988 B2 * 1/2011 Shimada G06K 7/0021
439/76.1
7,866,998 B2 * 1/2011 Chen G06K 7/0047
439/159
7,867,034 B1 * 1/2011 Sato G06K 7/0043
439/159
D632,695 S * 2/2011 Berntsen D14/435
7,955,135 B2 * 6/2011 Wang H01R 12/57
439/630
7,967,640 B2 * 6/2011 Hashimoto H01R 13/2464
439/630
8,033,865 B2 * 10/2011 Li H01R 12/714
439/633

| (56) | References Cited | |
|--------------|-----------------------|--|
| | U.S. PATENT DOCUMENTS | |
| 2011/0070760 | A1* | 3/2011 Zhang G06K 7/0021 439/159 |
| 2011/0104920 | A1* | 5/2011 Matsunaga H01R 12/716 439/152 |
| 2011/0151700 | A1* | 6/2011 Shen H01R 12/83 439/326 |
| 2011/0230072 | A1* | 9/2011 Yu H01R 12/7094 439/159 |
| 2011/0250772 | A1* | 10/2011 Zhang G06K 7/0034 439/159 |
| 2011/0294322 | A1* | 12/2011 Kikuchi H01R 13/635 439/152 |
| 2011/0306224 | A1* | 12/2011 Guo G06K 13/08 439/159 |
| 2012/0009808 | A1* | 1/2012 Matsumoto H01R 13/635 439/153 |
| 2012/0083145 | A1* | 4/2012 Gao G06K 13/0856 439/155 |
| 2012/0094514 | A1* | 4/2012 Sun H01R 13/62 439/159 |
| 2012/0129370 | A1* | 5/2012 Zhou G06K 13/08 439/188 |
| 2012/0149224 | A1* | 6/2012 Tsuji H01R 12/7094 439/188 |
| 2012/0195013 | A1* | 8/2012 Trzaskos G06K 13/0831 361/754 |
| 2012/0220146 | A1* | 8/2012 Yokoyama G06K 13/0806 439/159 |
| 2012/0231650 | A1* | 9/2012 Tian G06K 7/0021 439/374 |
| 2012/0252240 | A1* | 10/2012 Yang H01R 12/7094 439/159 |
| 2012/0276765 | A1* | 11/2012 Nakase G06K 13/0831 439/159 |
| 2012/0276780 | A1* | 11/2012 Hu H01R 12/714 439/630 |
| 2012/0295481 | A1* | 11/2012 Zhang G06K 7/0021 439/607.22 |
| 2012/0329306 | A1* | 12/2012 Little G06K 7/0021 439/367 |
| 2012/0329330 | A1* | 12/2012 Uesaka H01R 13/2442 439/630 |
| 2013/0005166 | A1* | 1/2013 Lim G06K 13/08 439/157 |
| 2013/0012070 | A1* | 1/2013 Uesaka G06K 13/0825 439/629 |
| 2013/0040478 | A1* | 2/2013 Hsu G06K 13/085 439/159 |
| 2013/0084724 | A1* | 4/2013 Yokoyama G06K 13/0831 439/160 |
| 2013/0102170 | A1* | 4/2013 Yang G06K 7/0021 439/153 |
| 2013/0130527 | A1* | 5/2013 Lee H01R 13/635 439/159 |
| 2013/0196523 | A1* | 8/2013 Lim H01R 13/6335 439/153 |
| 2013/0210280 | A1* | 8/2013 Soo G06K 7/0021 439/626 |
| 2013/0225003 | A1* | 8/2013 Liu H01R 27/02 439/629 |
| 2013/0231001 | A1* | 9/2013 Joo G06K 13/0825 439/345 |
| 2013/0237097 | A1* | 9/2013 Nakamura H01R 13/64 439/633 |
| 2013/0288496 | A1* | 10/2013 Ma H01R 13/633 439/159 |
| 2013/0288535 | A1* | 10/2013 You H01R 24/62 439/634 |
| 2013/0337672 | A1* | 12/2013 Zhu H01R 13/6335 439/159 |
| 2014/0004735 | A1* | 1/2014 Tsuji G06K 7/0069 439/489 |
| 2014/0030928 | A1* | 1/2014 Zhu H05K 5/04 439/629 |
| 2014/0045376 | A1* | 2/2014 Hsu H01R 13/6594 439/607.28 |
| 2014/0045389 | A1* | 2/2014 Yoshikawa H01R 13/24 439/786 |
| 2014/0057469 | A1* | 2/2014 Tsuji H01R 13/635 439/159 |
| 2014/0094050 | A1* | 4/2014 Yamanaka H01R 23/7068 439/327 |
| 2014/0099809 | A1* | 4/2014 Hsu H01R 13/635 439/159 |
| 2014/0148036 | A1* | 5/2014 Tan H01R 13/506 439/345 |
| 2014/0154903 | A1* | 6/2014 Wang G06K 7/00 439/152 |
| 2014/0187067 | A1* | 7/2014 Zhu H01R 13/635 439/159 |
| 2014/0206212 | A1* | 7/2014 Lee G06K 13/0812 439/153 |
| 2014/0206215 | A1* | 7/2014 Wang G06K 13/0818 439/160 |
| 2014/0213116 | A1* | 7/2014 Yoshida H01R 12/714 439/629 |
| 2014/0273646 | A1* | 9/2014 Yun H01R 12/714 439/629 |
| 2014/0315437 | A1* | 10/2014 Soo G06K 7/0021 439/626 |
| 2014/0370722 | A1* | 12/2014 Wang G06K 7/0073 439/64 |
| 2014/0370756 | A1* | 12/2014 Hou H01R 12/714 439/626 |
| 2014/0377976 | A1* | 12/2014 Tsai G06K 7/0069 439/345 |
| 2015/0004850 | A1* | 1/2015 Tsuji G06K 7/0013 439/733.1 |
| 2015/0011118 | A1* | 1/2015 Matsunaga H01R 13/15 439/527 |
| 2015/0050840 | A1* | 2/2015 Tsuji H01R 12/714 439/629 |
| 2015/0050841 | A1* | 2/2015 Okoshi G06K 7/0021 439/630 |
| 2015/0056851 | A1* | 2/2015 Zhang H04B 1/3816 439/527 |
| 2015/0072549 | A1* | 3/2015 Okoshi H01R 13/633 439/160 |
| 2015/0079847 | A1* | 3/2015 Liu H01R 12/721 439/630 |
| 2015/0155651 | A1* | 6/2015 Ejiri H01R 13/5213 439/521 |
| 2015/0188246 | A1* | 7/2015 Chen H01R 12/7005 439/377 |
| 2015/0188257 | A1* | 7/2015 Lin G06K 13/0812 439/159 |
| 2015/0200475 | A1* | 7/2015 Zhang G06K 13/0825 439/159 |
| 2015/0207270 | A1* | 7/2015 Zhang G06K 13/0831 439/159 |
| 2015/0207284 | A1* | 7/2015 Liu G06K 7/0052 439/218 |
| 2015/0214661 | A1* | 7/2015 Van Der Steen G06K 13/085 439/160 |
| 2015/0263452 | A1* | 9/2015 Zhang G06K 13/0831 439/153 |
| 2015/0263454 | A1* | 9/2015 Joo H01R 13/6335 439/160 |
| 2015/0270630 | A1* | 9/2015 Lu H01R 12/714 439/370 |
| 2015/0270639 | A1* | 9/2015 Yu H01R 13/5219 439/271 |
| 2015/0280766 | A1* | 10/2015 Wei H04B 1/3816 455/558 |
| 2015/0333422 | A1* | 11/2015 Lee G06K 7/0056 439/159 |
| 2016/0006173 | A1* | 1/2016 Wang G06K 13/08 439/157 |

(56)

References Cited

U.S. PATENT DOCUMENTS

| | | | | | | |
|--------------|-----|---------|-----------|-------|--------------|---------|
| 2016/0013571 | A1* | 1/2016 | Ning | | H01R 12/718 | 439/630 |
| 2016/0036143 | A1* | 2/2016 | Motohashi | | G06K 13/08 | 439/160 |
| 2016/0036146 | A1* | 2/2016 | Wang | | H01R 13/2478 | 439/630 |
| 2016/0086000 | A1* | 3/2016 | Sarraf | | G06K 7/0056 | 439/529 |
| 2016/0093965 | A1* | 3/2016 | Fang | | H01R 12/714 | 439/81 |
| 2016/0111801 | A1* | 4/2016 | Zeng | | H01R 12/7076 | 439/660 |
| 2016/0111802 | A1* | 4/2016 | Shimotsu | | H01R 12/7076 | 439/159 |
| 2016/0118733 | A1* | 4/2016 | Tanaka | | G06K 7/04 | 439/629 |
| 2016/0149330 | A1* | 5/2016 | Kusuhara | | H01R 13/2442 | 439/629 |
| 2016/0164225 | A1* | 6/2016 | Nagase | | H04B 1/3816 | 439/159 |
| 2016/0164226 | A1* | 6/2016 | Hirata | | H04B 1/3816 | 439/155 |
| 2016/0248184 | A1* | 8/2016 | Motohashi | | G06K 7/00 | |
| 2016/0254606 | A1* | 9/2016 | Hu | | G06K 13/08 | 439/632 |
| 2016/0292118 | A1* | 10/2016 | Zhu | | G06F 13/4068 | |
| 2016/0359247 | A1* | 12/2016 | Hirata | | H01R 12/714 | |
| 2016/0359267 | A1* | 12/2016 | Hu | | G06K 7/0043 | |
| 2016/0359268 | A1* | 12/2016 | Hu | | G06K 7/0043 | |
| 2016/0359269 | A1* | 12/2016 | Motohashi | | G06K 7/00 | |
| 2017/0012376 | A1* | 1/2017 | Nakase | | G06K 13/08 | |
| 2017/0040742 | A1* | 2/2017 | Hu | | H01R 13/635 | |
| 2017/0047958 | A1* | 2/2017 | Wang | | H01R 13/713 | |
| 2017/0054462 | A1* | 2/2017 | Wang | | G06F 13/4081 | |
| 2017/0070002 | A1* | 3/2017 | Do | | H01R 13/635 | |
| 2017/0093072 | A1* | 3/2017 | Wang | | H01R 13/26 | |
| 2017/0125932 | A1* | 5/2017 | Wei | | H01R 13/514 | |
| 2017/0162962 | A1* | 6/2017 | Tan | | H01R 12/57 | |

* cited by examiner

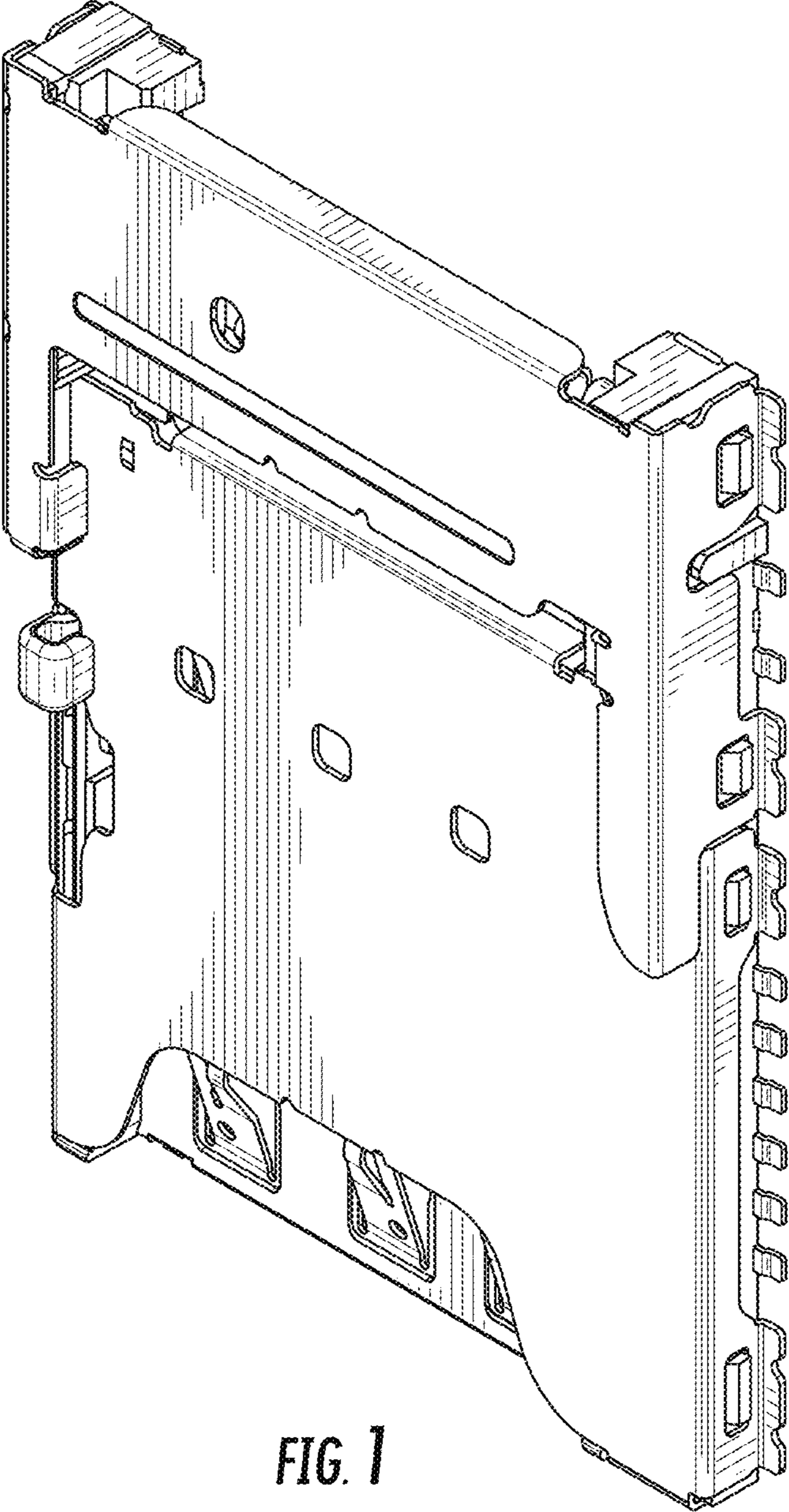


FIG. 1

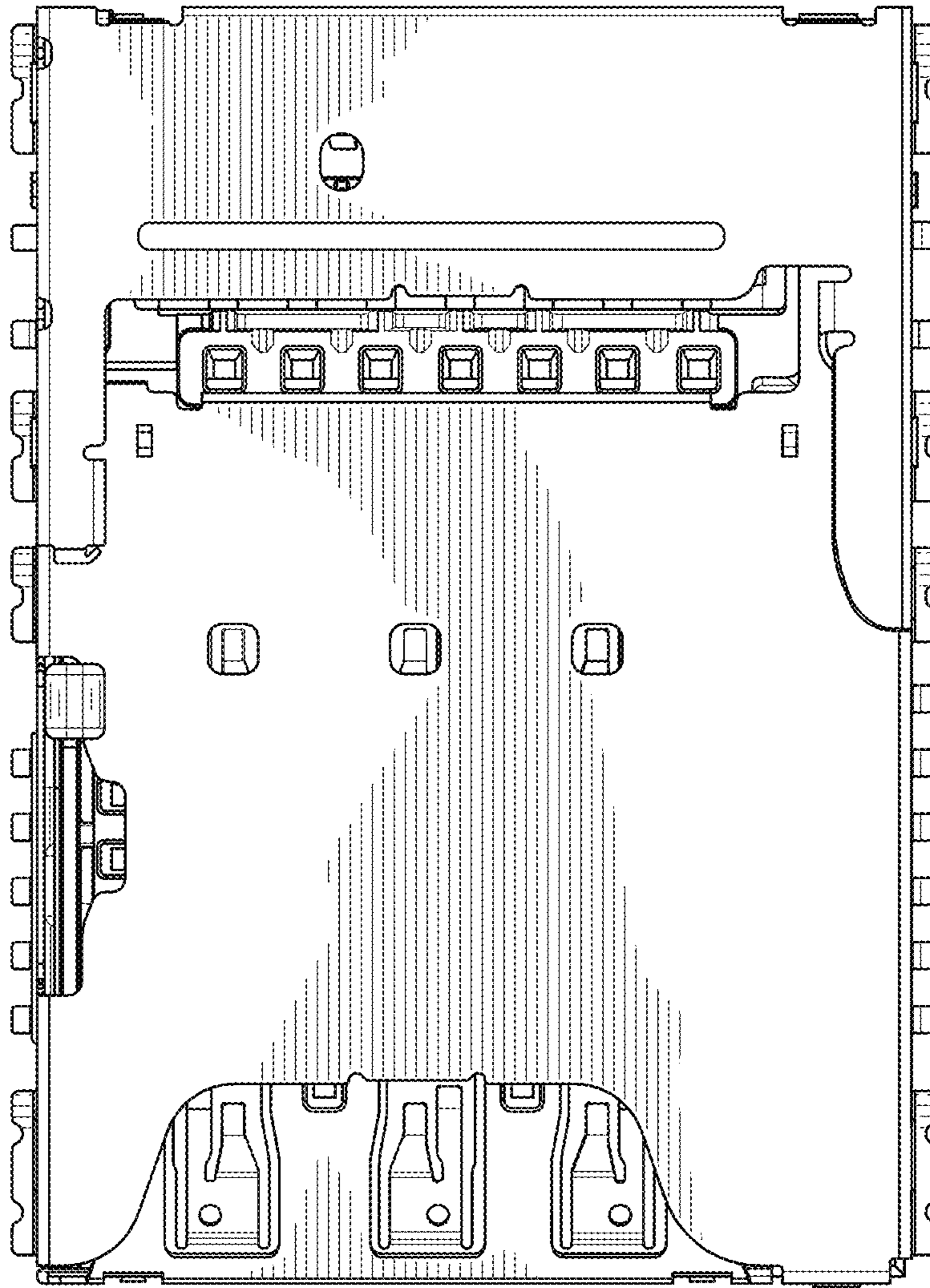


FIG. 2

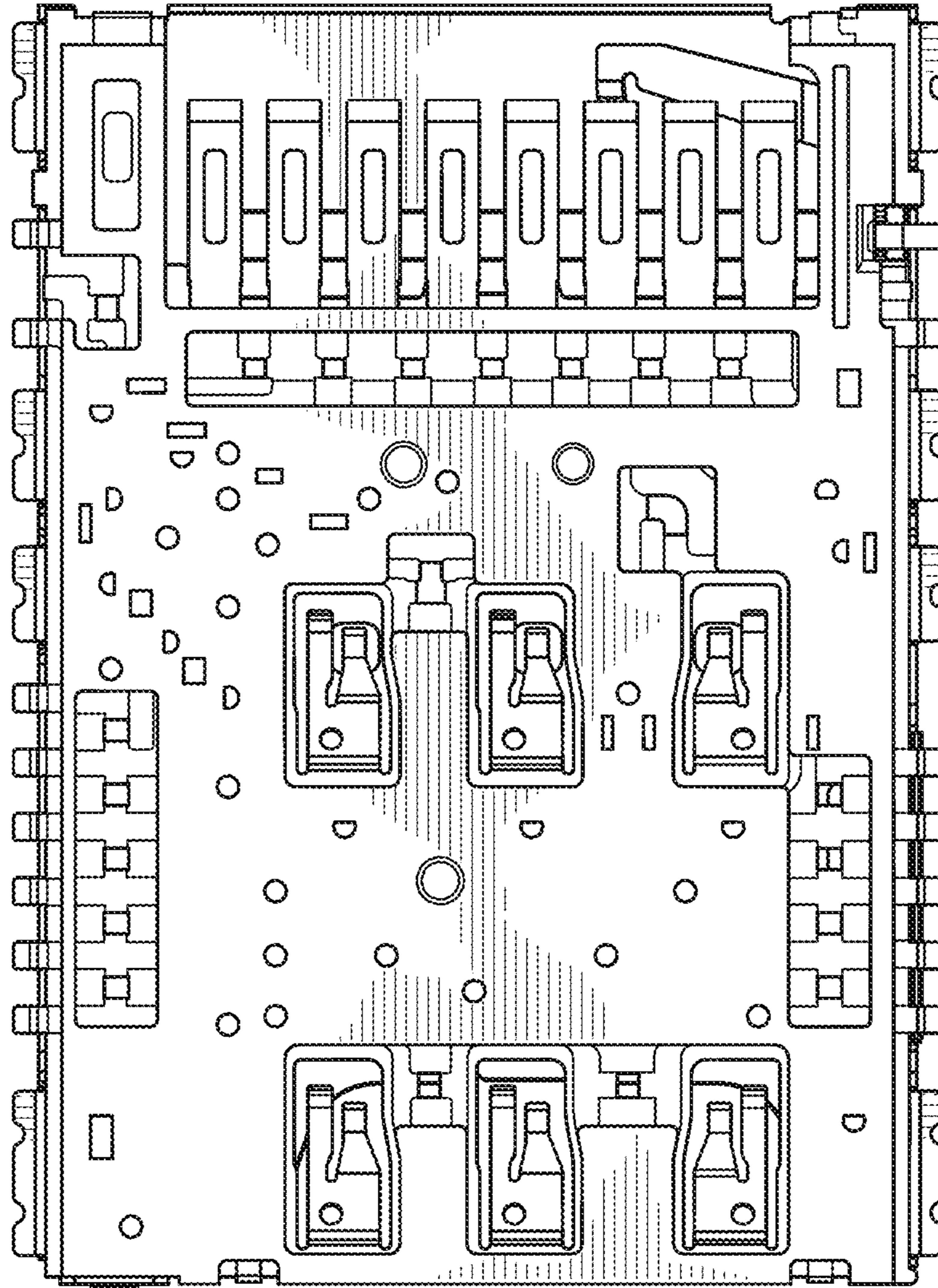


FIG. 3

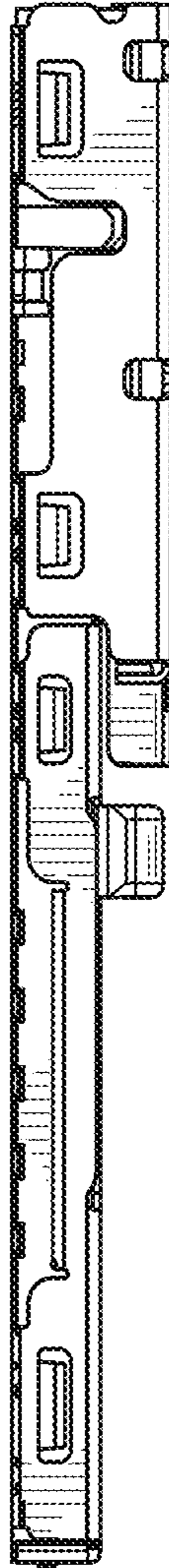


FIG. 4

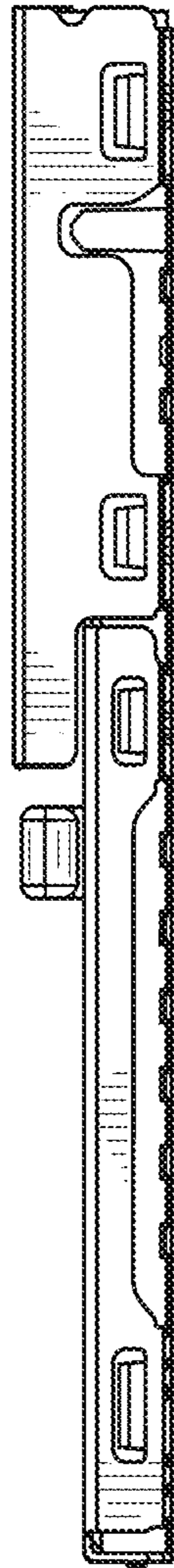


FIG. 5

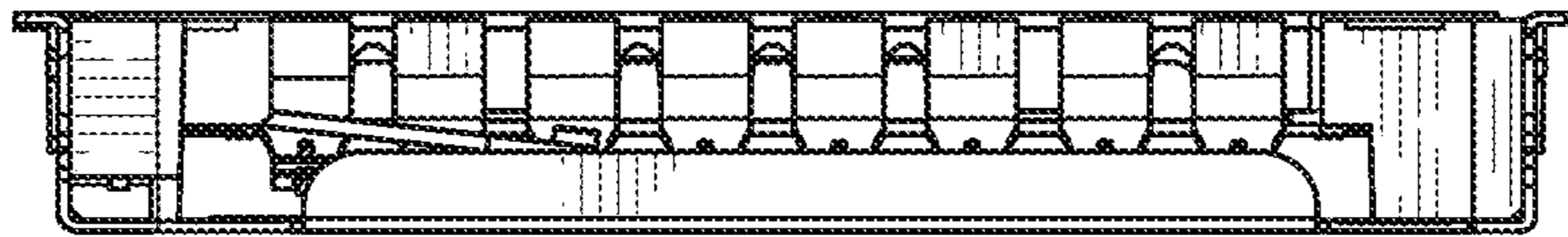


FIG. 6

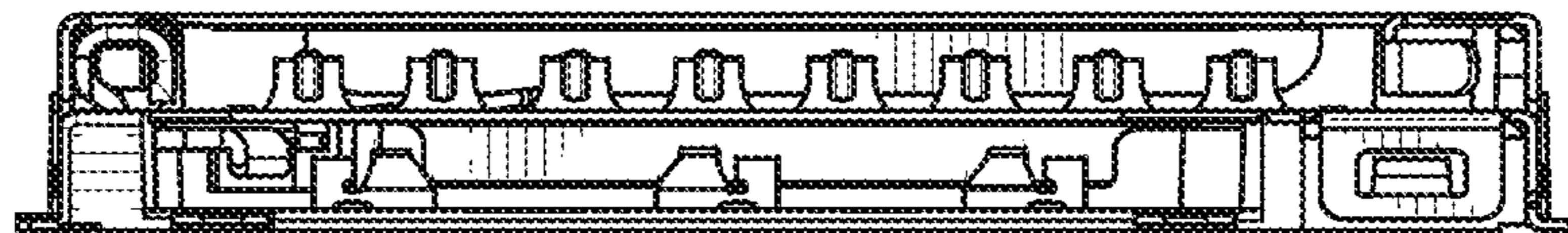


FIG. 7

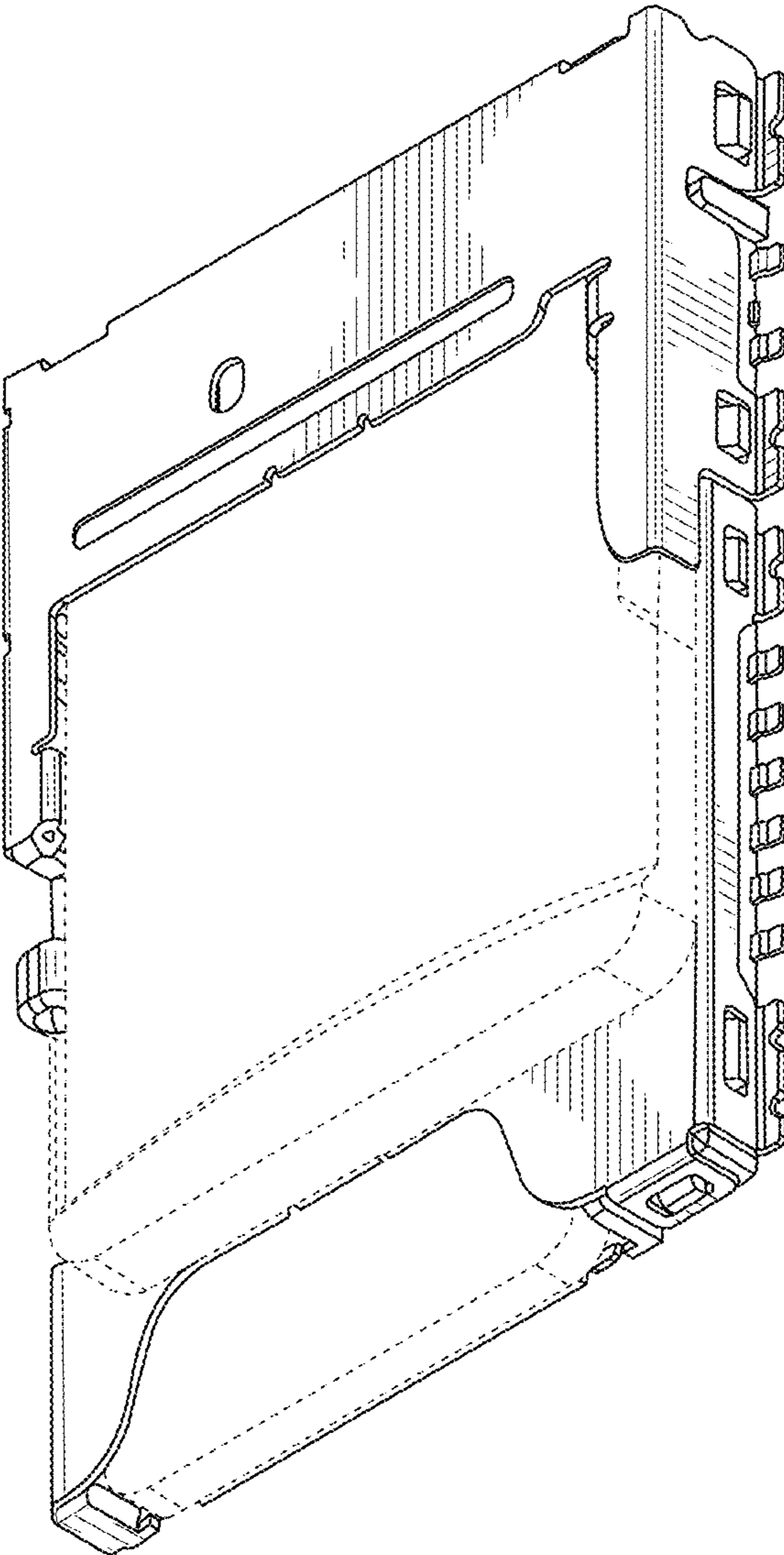


FIG. 8