



US00D804483S

(12) **United States Design Patent** (10) **Patent No.:** **US D804,483 S**
Minoli (45) **Date of Patent:** **** Dec. 5, 2017**

(54) **DOCKING STATION**

- (71) Applicant: **Zansors LLC**, Tysons, VA (US)
- (72) Inventor: **Andre Minoli**, Baltimore, MD (US)
- (73) Assignee: **Zansors, LLC**, Tysons, VA (US)
- (**) Term: **15 Years**

(21) Appl. No.: **29/547,509**

(22) Filed: **Dec. 4, 2015**

(51) **LOC (10) Cl.** **14-02**

(52) **U.S. Cl.**
USPC **D14/434**

(58) **Field of Classification Search**

USPC D14/434, 440, 447, 251–253, 432, 451,
D14/452, 454, 140, 142, 149, 217, 240,
D14/299, 496, 356, 358; D13/103, 107,
D13/108, 118, 119, 184; D3/201, 215,
D3/218; D10/74, 80; D6/512, 672, 682
CPC G06F 1/1616; G06F 1/1626; G06F 1/1632;
H01M 10/44; F16M 11/10; H02J 7/0042;
H02J 7/00; H02J 7/0027; H02J 7/0044;
H02J 7/0045; H02J 7/355; H01R 31/065
See application file for complete search history.

(56) **References Cited**

U.S. PATENT DOCUMENTS

D142,268 S *	8/1945	Wemyss	D6/672
D234,851 S *	4/1975	Tyson et al.	D14/149
D294,025 S *	2/1988	Boykiw	379/449
D381,338 S *	7/1997	Johansson	D14/253
D511,745 S *	11/2005	Lamason	D13/108
D511,960 S *	11/2005	Ogino	D8/354
D524,448 S *	7/2006	Telimaa	D24/227
D536,124 S *	1/2007	Liao	D26/106
D559,850 S *	1/2008	Lye	D14/447
D589,962 S *	4/2009	Maruyama	D14/432
D606,545 S *	12/2009	Salmon	D13/108
D649,153 S *	11/2011	Symons	D14/447

(Continued)

OTHER PUBLICATIONS

Review_ SchuttenWorks Wave is a Compact Elegant Apple Watch Charging Stan. macrumors.com. [online] 13 pgs. Posted Jun. 19, 2015 [retrieved on May 9, 2017] <https://www.macrumors.com/review/shuttenworks-wave-apple-watch-charging-stand/>.*

(Continued)

Primary Examiner — Susan Bennett Hattan

Assistant Examiner — Marie D. Fast Horse

(74) *Attorney, Agent, or Firm* — Whitham, Curtis & Cook, P.C.

(57) **CLAIM**

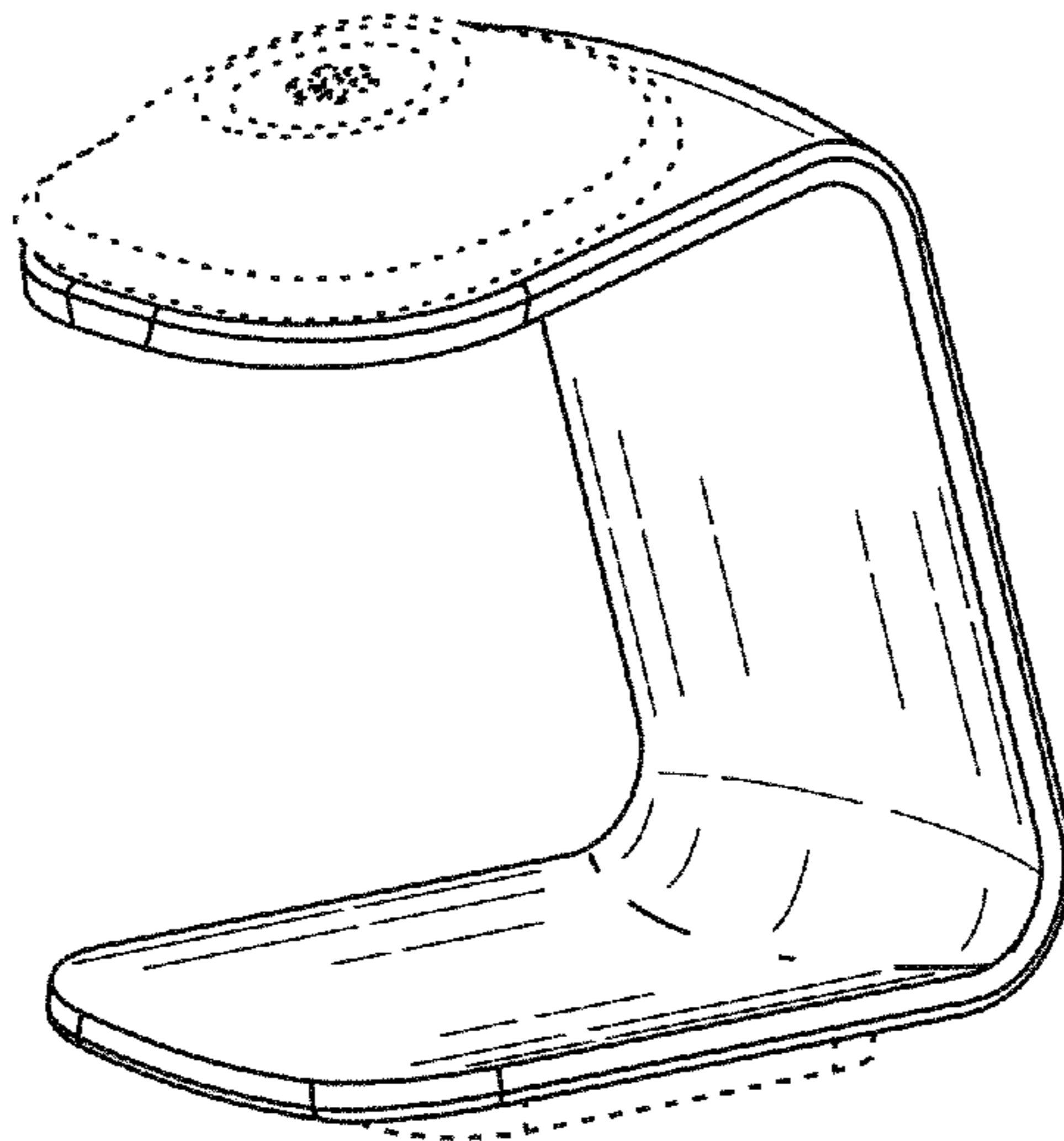
I claim the ornamental design for a docking station, as shown and described.

DESCRIPTION

FIG. 1 is a front, top, right side perspective view of a docking station;
 FIG. 2 is a front, bottom, left side perspective view of the docking station;
 FIG. 3 is a top view of the docking station;
 FIG. 4 is a front view of the docking station;
 FIG. 5 is a bottom view of the docking station;
 FIG. 6 is a rear view of the docking station; and,
 FIG. 7 is a right side view of the docking station, a left side being a mirror image thereof.

The broken lines shown at a bottom surface in FIGS. 1, 2, 4, 5, 6, and 7 depict a portion of the docking station that forms no part of the claimed design, while the remaining broken lines showing a docked electronic device in FIGS. 1, 3, 4, and 7 and a cord in FIG. 7 depict environmental subject matter only and form no part of the claim. The broken lines immediately adjacent to shaded surfaces define the boundary of the claim, which extends to the boundary but does not include the boundary.

1 Claim, 7 Drawing Sheets



(56)

References Cited

U.S. PATENT DOCUMENTS

D655,293 S * 3/2012 Gioscia D14/434
 D691,947 S * 10/2013 Cole D13/108
 D692,376 S * 10/2013 Palmer D13/108
 D692,899 S * 11/2013 Bremenkamp D14/447
 D703,676 S * 4/2014 Smith D14/447
 D714,754 S * 10/2014 Moriyama D14/149
 D715,078 S * 10/2014 Bibeau D6/678
 D717,289 S * 11/2014 Takabatake D14/252
 D724,025 S * 3/2015 Peek D13/108
 D730,914 S * 6/2015 Park D14/447
 D737,606 S * 9/2015 King D6/682
 D741,313 S * 10/2015 Moon D14/253
 D744,418 S * 12/2015 Ogihara D13/108
 D747,953 S * 1/2016 Thompson D8/349
 D750,515 S * 3/2016 Ditges D10/74
 D751,431 S * 3/2016 Browning D10/74
 D751,564 S * 3/2016 Hahn D14/447
 D753,642 S * 4/2016 Imuro D14/253
 D755,796 S * 5/2016 Gibson D14/447
 D756,367 S * 5/2016 Kim D14/447
 D760,724 S * 7/2016 Kang D14/447
 D762,650 S * 8/2016 Dang D14/434
 D763,263 S * 8/2016 Wierenga D14/434
 D764,406 S * 8/2016 Uchida D13/108

D765,449 S * 9/2016 Buller D6/682.3
 D771,180 S * 11/2016 Jenkins D18/4.5
 D771,824 S * 11/2016 Minoli D10/65
 D772,739 S * 11/2016 Browning D10/74
 D773,325 S * 12/2016 Browning D10/74
 D776,053 S * 1/2017 Barnard D13/108
 D779,478 S * 2/2017 Justiss D14/253
 D780,186 S * 2/2017 Lee D14/253
 D780,187 S * 2/2017 Lee D14/253
 D784,353 S * 4/2017 Brown D14/447
 2007/0135174 A1* 6/2007 Musk H02J 7/0044
 455/569.1
 2013/0102937 A1* 4/2013 Ehrenreich A61H 1/00
 601/47
 2016/0261139 A1* 9/2016 Kidakarn H02J 7/025

OTHER PUBLICATIONS

Fitbit Surge Desktop Stand Improved. thingiverse.com. [online] 1 pg. Posted Oct. 24, 2015 [retrieved on May 9, 2017] <http://www.thingiverse.com/thing:1052533>.
 The Wave-Another Sleek Charging Stand for Apple Watch Hits the Market. mikeshout.com. [online] 2 pgs. Posted Apr. 27, 2015 [retrieved on May 9, 2017] <https://mikeshout.com/the-wave-apple-watch-charging-stand-by-schuttenworks/>.

* cited by examiner

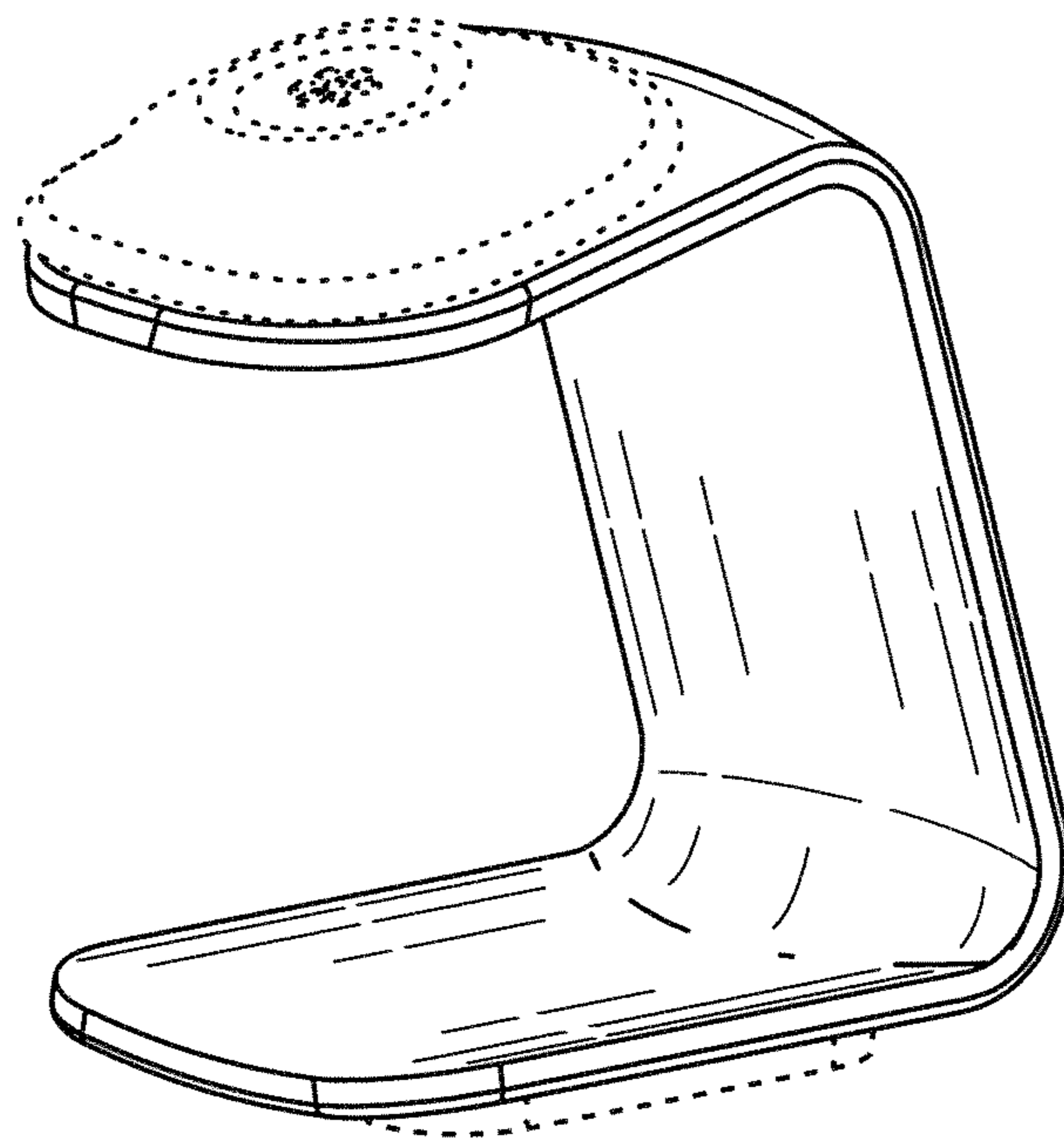


Figure 1

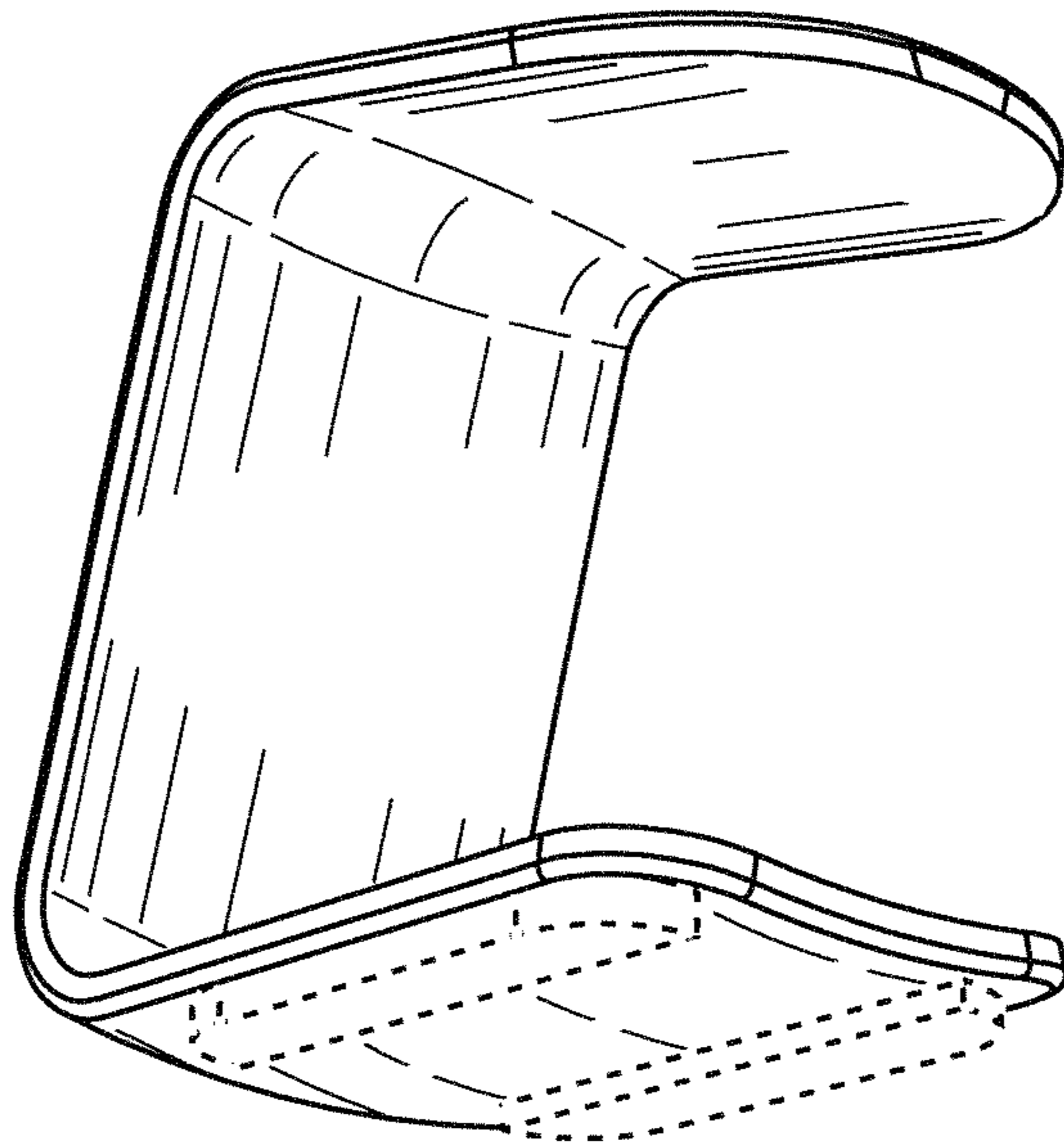


Figure 2

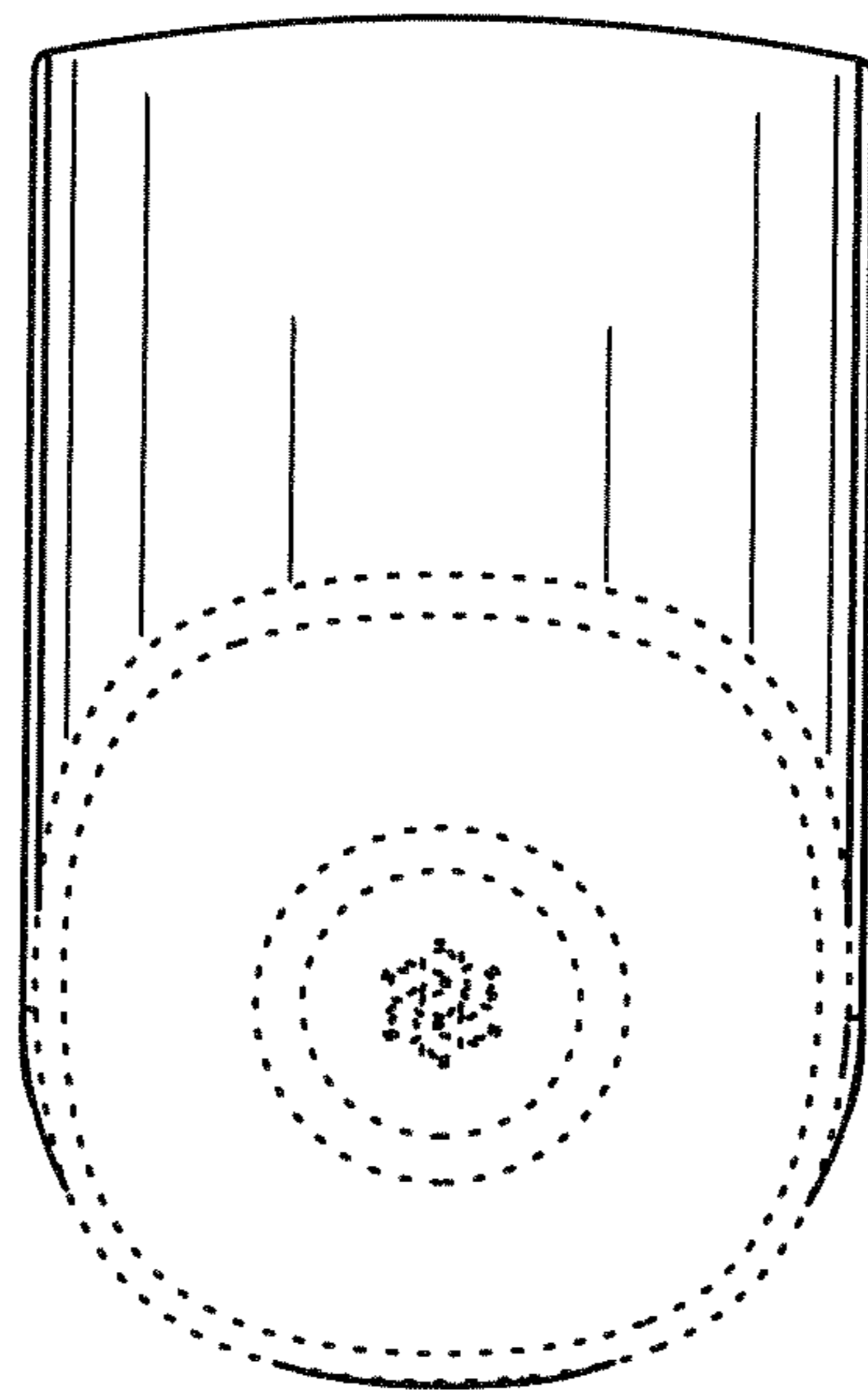


Figure 3

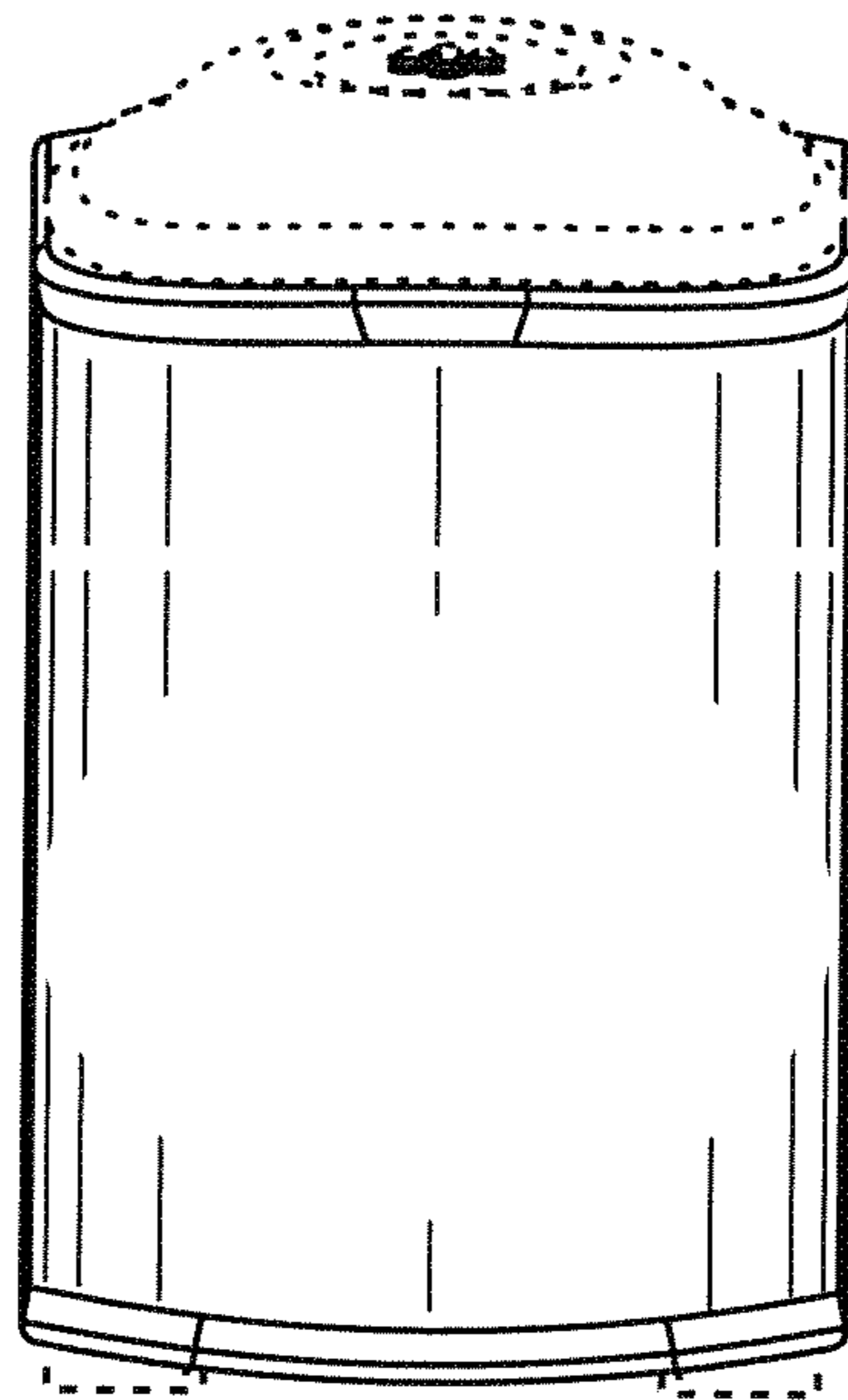


Figure 4

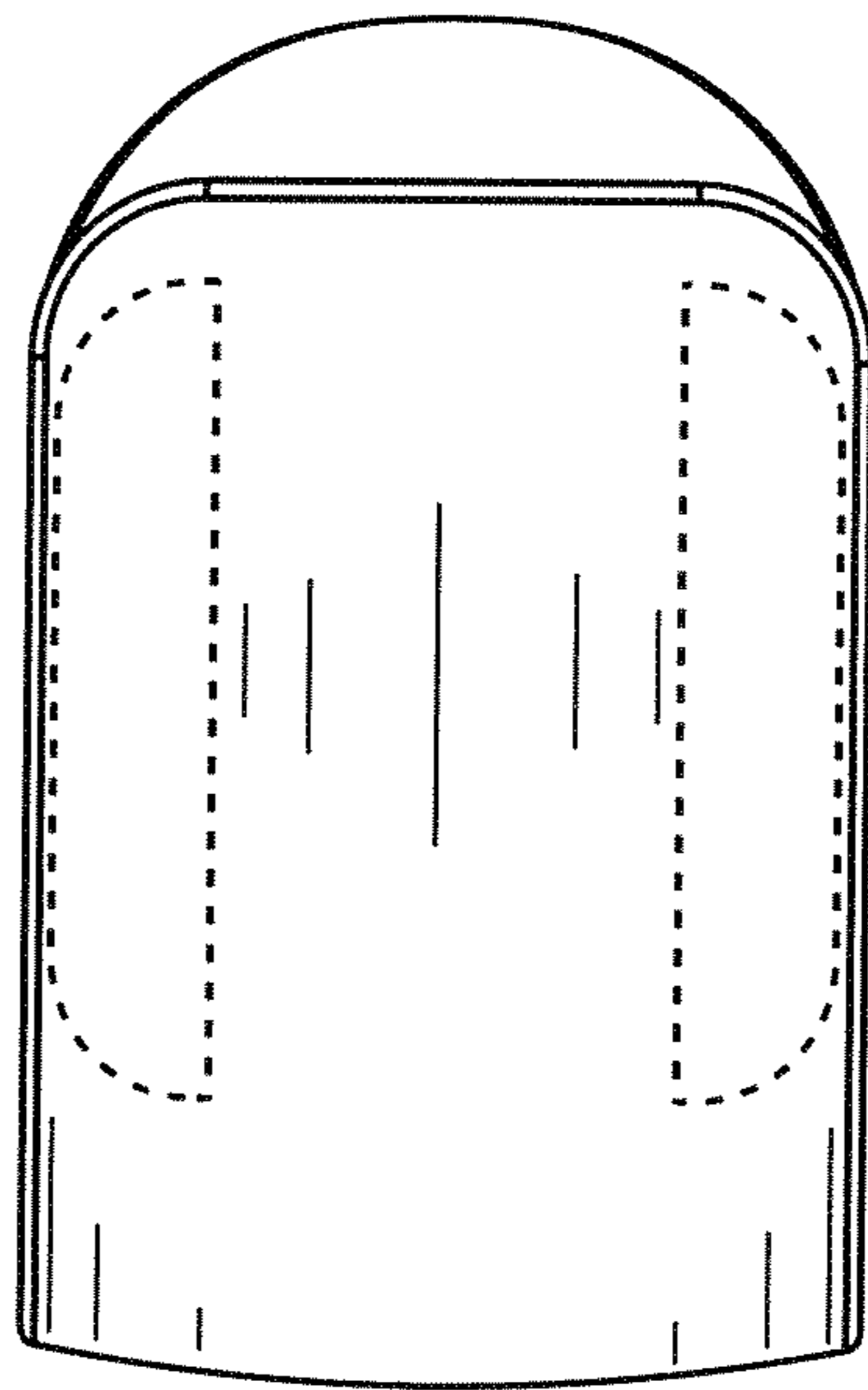


Figure 5

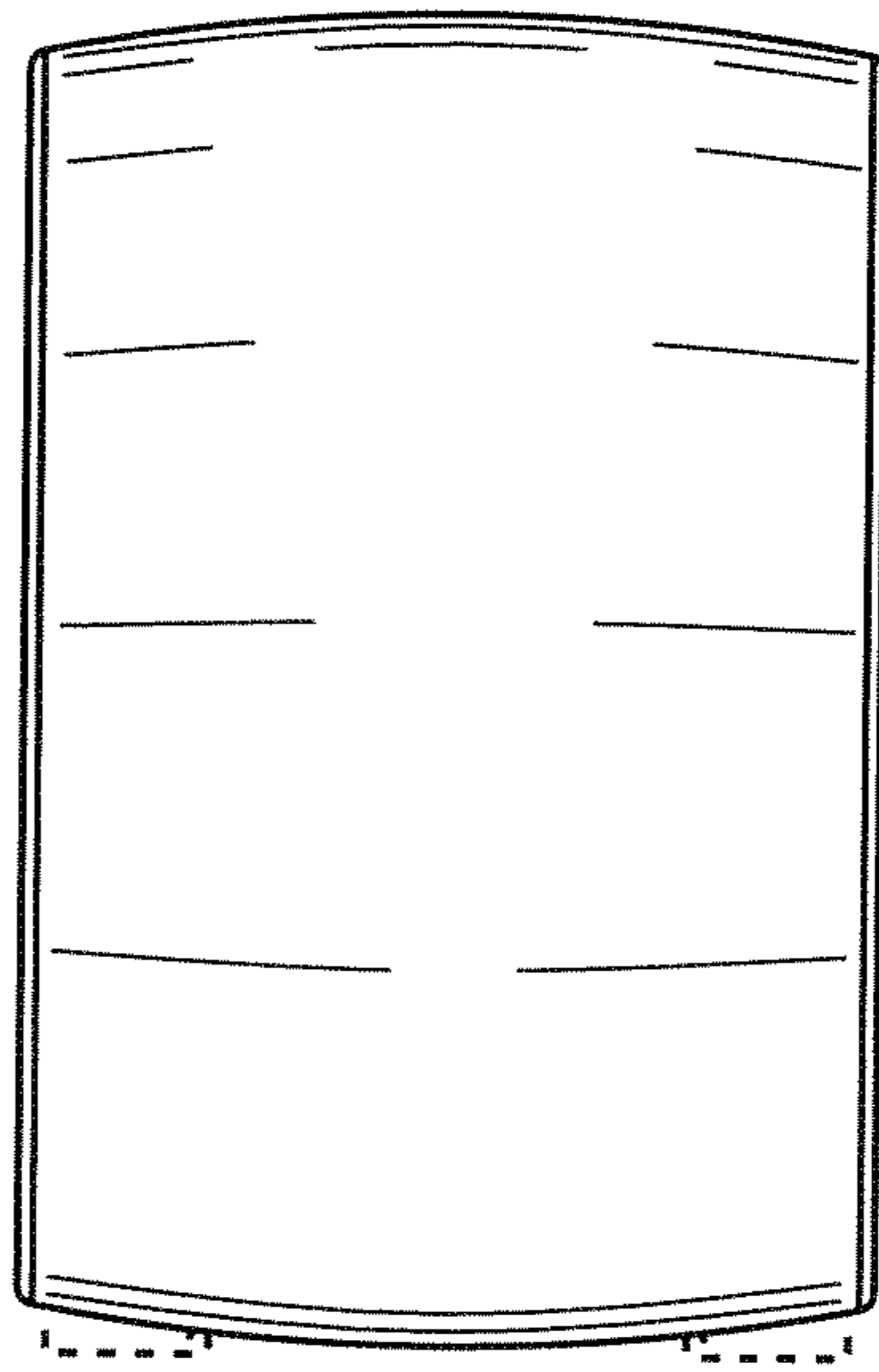


Figure 6

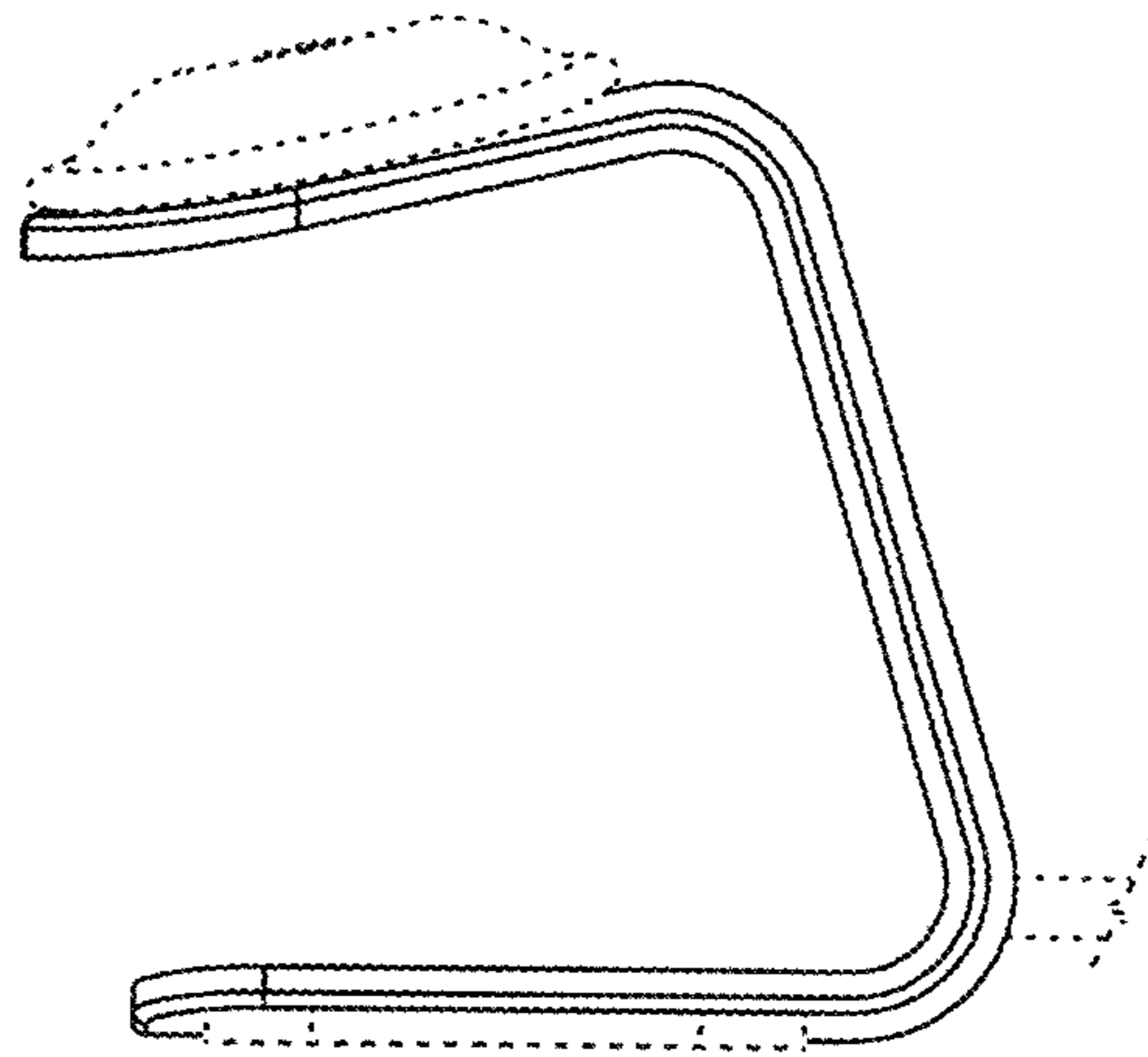


Figure 7