



US00D804482S

(12) **United States Design Patent**
Jenkins et al.

(10) **Patent No.:** **US D804,482 S**

(45) **Date of Patent:** **** Dec. 5, 2017**

(54) **DATA CAPTURE DEVICE**

(71) Applicant: **SYMBOL TECHNOLOGIES, LLC**,
Lincolnshire, IL (US)

(72) Inventors: **Ian R. Jenkins**, Stony Brook, NY (US);
Edward Anthony Hackett, Surbiton
(GB); **Michael Kaminsky**, Hicksville,
NY (US)

(73) Assignee: **Symbol Technologies, LLC**, Holtsville,
NY (US)

(**) Term: **15 Years**

(21) Appl. No.: **29/558,201**

(22) Filed: **Mar. 15, 2016**

(51) **LOC (10) Cl.** **14-02**

(52) **U.S. Cl.**
USPC **D14/428**

(58) **Field of Classification Search**
USPC D14/420, 426-430, 453, 346, 341, 347,
D14/412, 138; D13/107, 184; 358/473;
235/462.43, 462.45, 462.47, 462.48,
235/462.44, 462.46, 487, 472.01, 472.02,
235/145 A, 145 R; D10/78; 324/426;
D3/273; 710/73; D18/7; 361/679, 728,
361/679.56; 382/313, 321; 455/575.1,
455/561, 572; 345/156, 168, 169, 172,
345/173, 87; 705/17, 18, 22-25
CPC G06F 1/626; G06F 1/1626; G06F 1/1656;
G06F 1/1632; G06F 1/1684; G06F
1/1635; G06F 8/63; G06F 17/30091;
G06F 9/4401; G06K 7/10881; G06K
7/1098; G06K 7/10722; G06K 7/1404;
G06K 7/0004; G06K 7/10633; G06K
7/10851; G06K 7/1091; G06K 7/1092;
G06K 7/1093; G06K 7/10; G06K 7/109;
G06K 7/1417; G06K 9/228; G06K
17/0022; G06K 17/00; G06K 2207/1011;
G06K 2207/1013; G06K 2207/1016;
G06K 2207/1018; G06K 2017/0051;

G06K 2017/0067; G06K 2007/10524;
G07G 1/0081; G07G 1/009; G06Q 20/20;
G06Q 20/201; G06Q 20/202; G06Q
20/203; G06Q 20/30; G06Q 20/32; G06Q
20/322; G06Q 20/4014; G06Q 10/087;
H04N 1/00127; H04N 1/00135; H04N
1/00326; H04N 1/00334; H04N 1/00307;
H04N 1/107; H04N 2201/0084; H04N
2101/00; H04M 1/0249; H04M 1/0262;
H04M 1/0266; H04M 1/18; H04M 1/23;
H04M 1/236; H04B 1/3827; H04B
(Continued)

(56) **References Cited**

U.S. PATENT DOCUMENTS

D418,500 S * 1/2000 Giordano D14/429
D446,524 S * 8/2001 Bontly D14/426
D461,189 S * 8/2002 Bontly D14/426

(Continued)

Primary Examiner — Susan Moon Lee

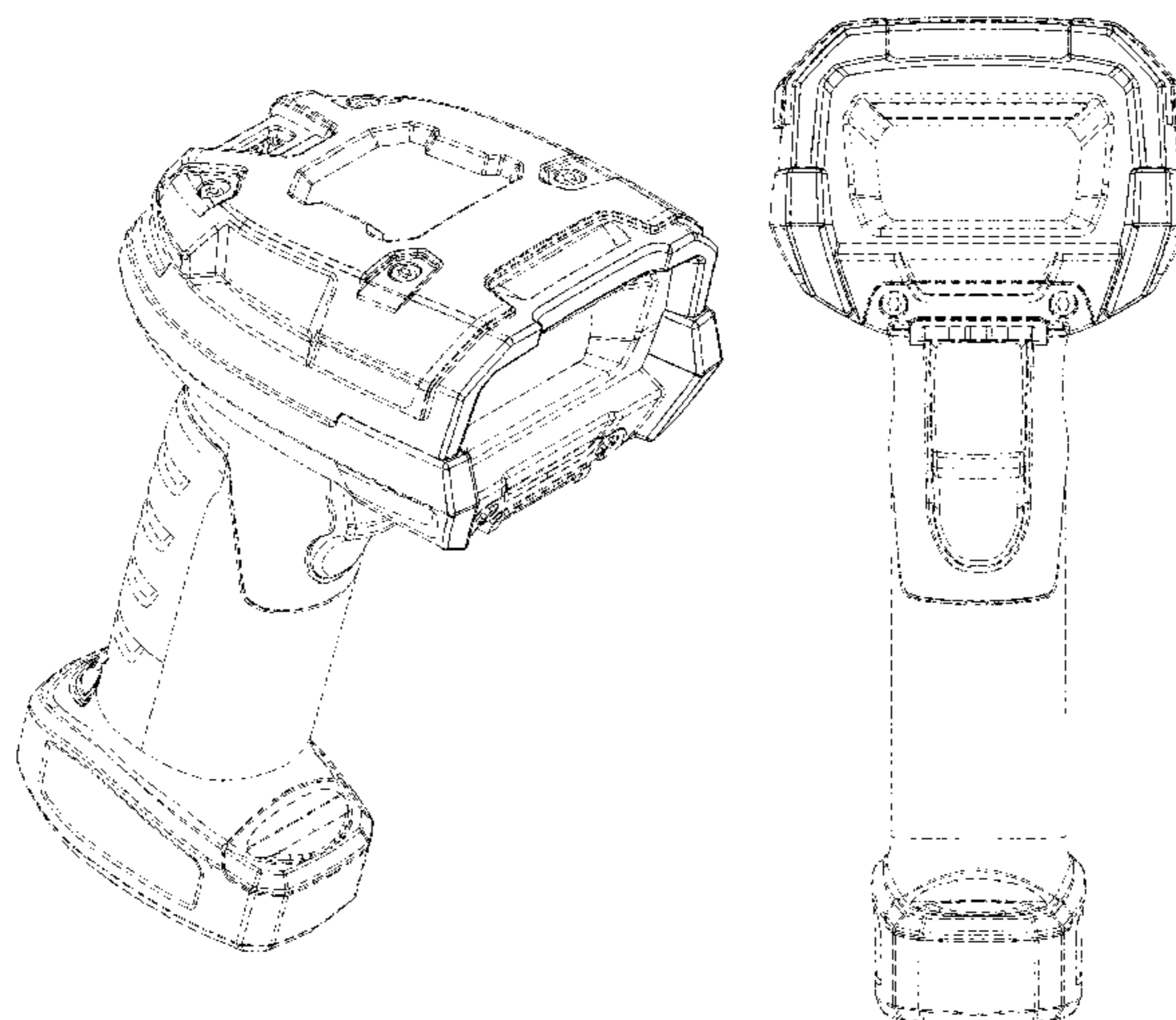
(57) **CLAIM**

We claim the ornamental design for a data capture device, as shown and described.

DESCRIPTION

FIG. 1 is a perspective view of a data capture device, disclosed herein;
FIG. 2 is another perspective view thereof;
FIG. 3 is a front view thereof;
FIG. 4 is a back view thereof;
FIG. 5 is a first side view thereof;
FIG. 6 is a second side view thereof;
FIG. 7 is a top view thereof; and,
FIG. 8 is a bottom view thereof.
The broken lines and portions shown between the broken lines are directed to environment and are for illustrative purposes only. Broken lines and portions shown between the broken lines form no part of the design claimed.

1 Claim, 8 Drawing Sheets



(58) **Field of Classification Search**
 CPC .. 1/3833; H04B 1/3877; H04B 1/3883; H04B
 1/3888; H04B 2001/3894; H01M 2/1066
 See application file for complete search history.

(56) **References Cited**

U.S. PATENT DOCUMENTS

D470,145 S 2/2003 Schlieffers et al.
 6,778,087 B2* 8/2004 Belka G08B 13/2411
 335/284
 D518,057 S 3/2006 Johnson et al.
 D574,832 S 5/2008 MacGregor et al.
 7,461,790 B2* 12/2008 McQueen G03B 7/093
 235/454
 D588,596 S * 3/2009 Mazzone D14/426
 D599,799 S * 9/2009 Di Bari D14/428
 D606,076 S * 12/2009 Di Bari D14/428
 8,028,913 B2* 10/2011 Liu G06K 7/10722
 235/455
 D682,277 S * 5/2013 Tasselli D14/426
 D702,238 S * 4/2014 Alegiani D14/426
 D723,563 S * 3/2015 Alegiani D14/426
 D726,186 S 4/2015 Jenkins et al.
 D730,357 S 5/2015 Fitch et al.
 9,367,723 B1* 6/2016 Drzymala G06K 7/10881
 9,536,124 B1* 1/2017 Nunnink G06K 7/10831
 D786,873 S * 5/2017 Yamamoto D14/428
 2003/0209605 A1* 11/2003 Walczyk G06K 7/10851
 235/472.01
 2004/0134990 A1* 7/2004 Fitch G06K 7/10881
 235/472.01
 2006/0289654 A1* 12/2006 Robinson G06K 7/10881
 235/462.46
 2007/0090193 A1* 4/2007 Nunnink G06K 7/10732
 235/473

2007/0091332 A1* 4/2007 Nunnink G06K 7/10732
 358/1.6
 2008/0142604 A1* 6/2008 Nunnink G06K 7/10732
 235/473
 2008/0217411 A1* 9/2008 Ledwith G06K 17/0022
 235/472.02
 2009/0218403 A1* 9/2009 Joseph G06K 7/10732
 235/462.21
 2009/0294541 A1* 12/2009 Nunnink G06K 7/10881
 235/470
 2010/0090007 A1* 4/2010 Wang G06K 7/10722
 235/462.11
 2010/0276493 A1* 11/2010 Havens G02B 3/14
 235/470
 2011/0069877 A1* 3/2011 Vincenzi G06K 7/109
 382/135
 2011/0073658 A1* 3/2011 Vassura G06K 7/10881
 235/472.01
 2011/0290889 A1* 12/2011 Tamburrini G06K 7/10881
 235/470
 2012/0193431 A1* 8/2012 Hawley G06K 7/10851
 235/472.01
 2013/0112752 A1* 5/2013 Negro G06K 7/10722
 235/472.01
 2013/0256405 A1* 10/2013 Montout G06K 7/1091
 235/375
 2013/0292478 A1* 11/2013 Wang G06K 7/10712
 235/472.01
 2014/0021259 A1* 1/2014 Moed G06K 9/2027
 235/472.01
 2015/0102109 A1* 4/2015 Huck G06K 7/109
 235/462.14
 2016/0094070 A1* 3/2016 Mazzone H02J 7/0044
 320/115

* cited by examiner

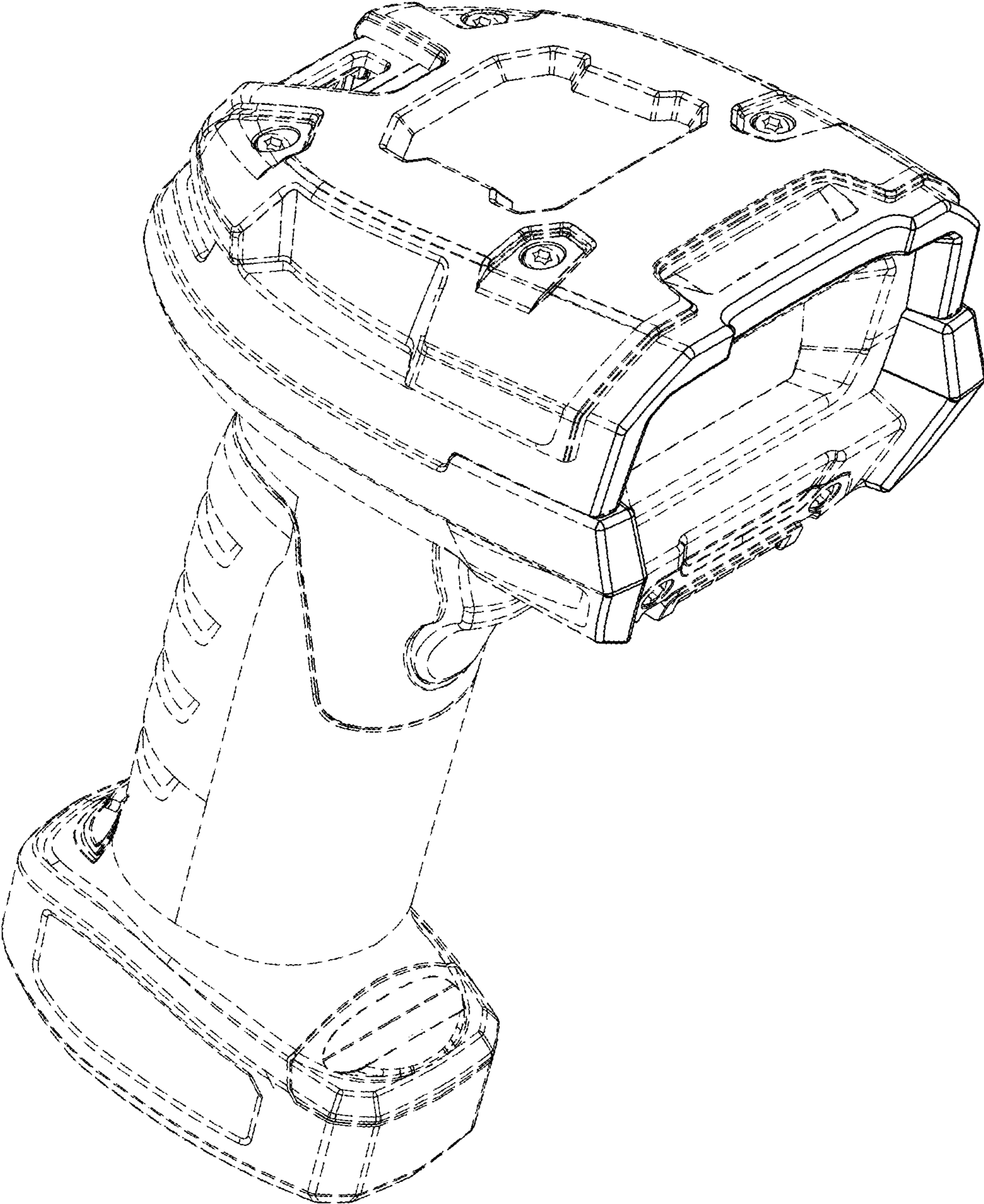


FIG. 1

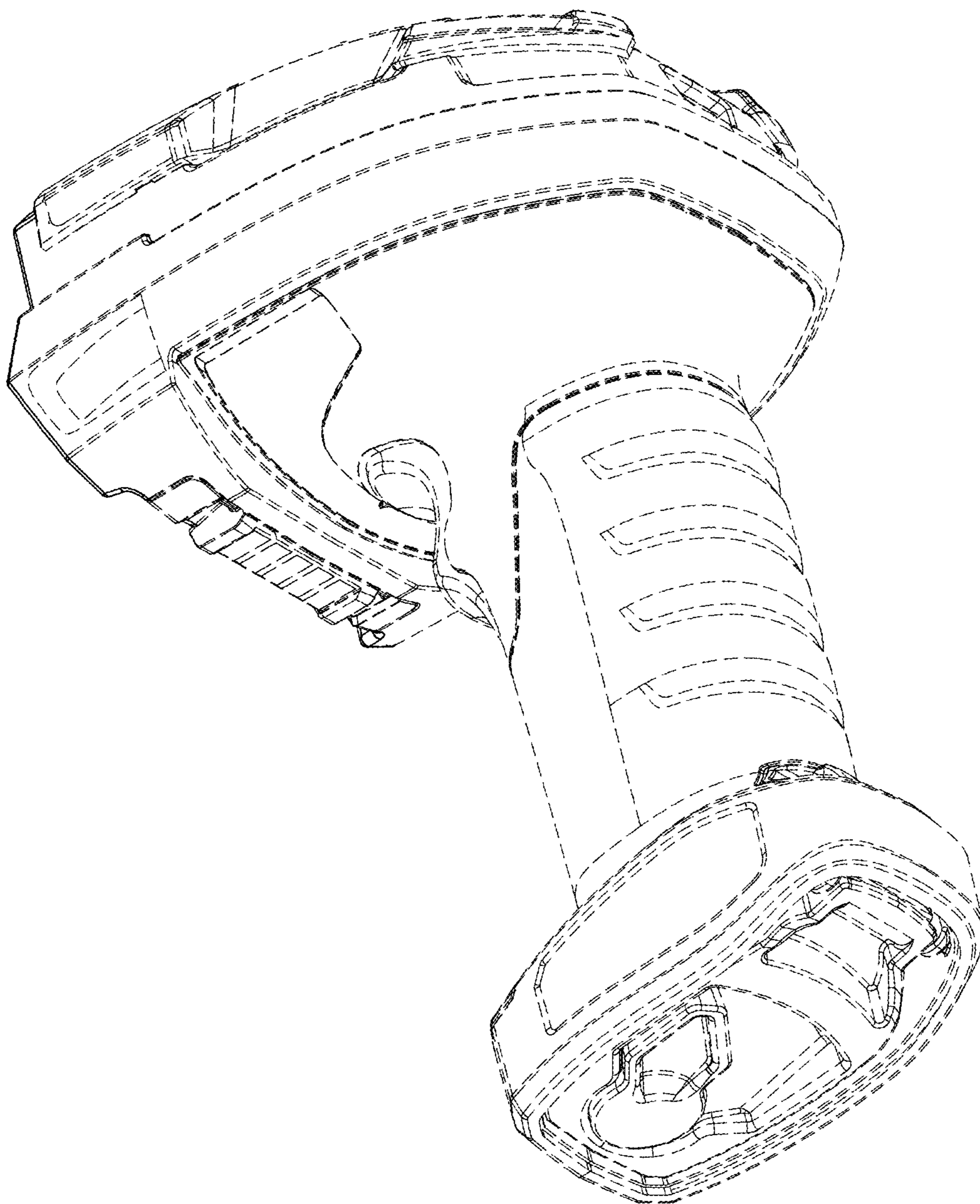


FIG. 2

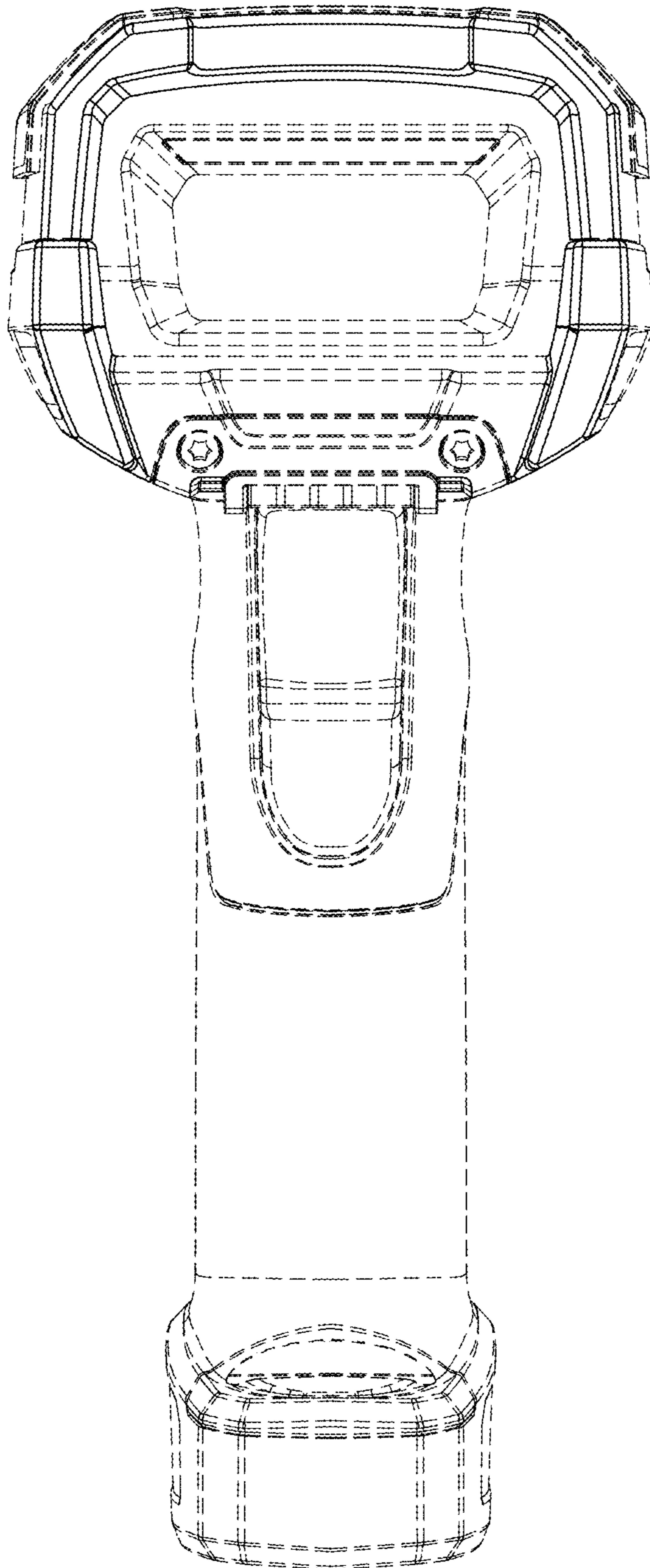


FIG. 3

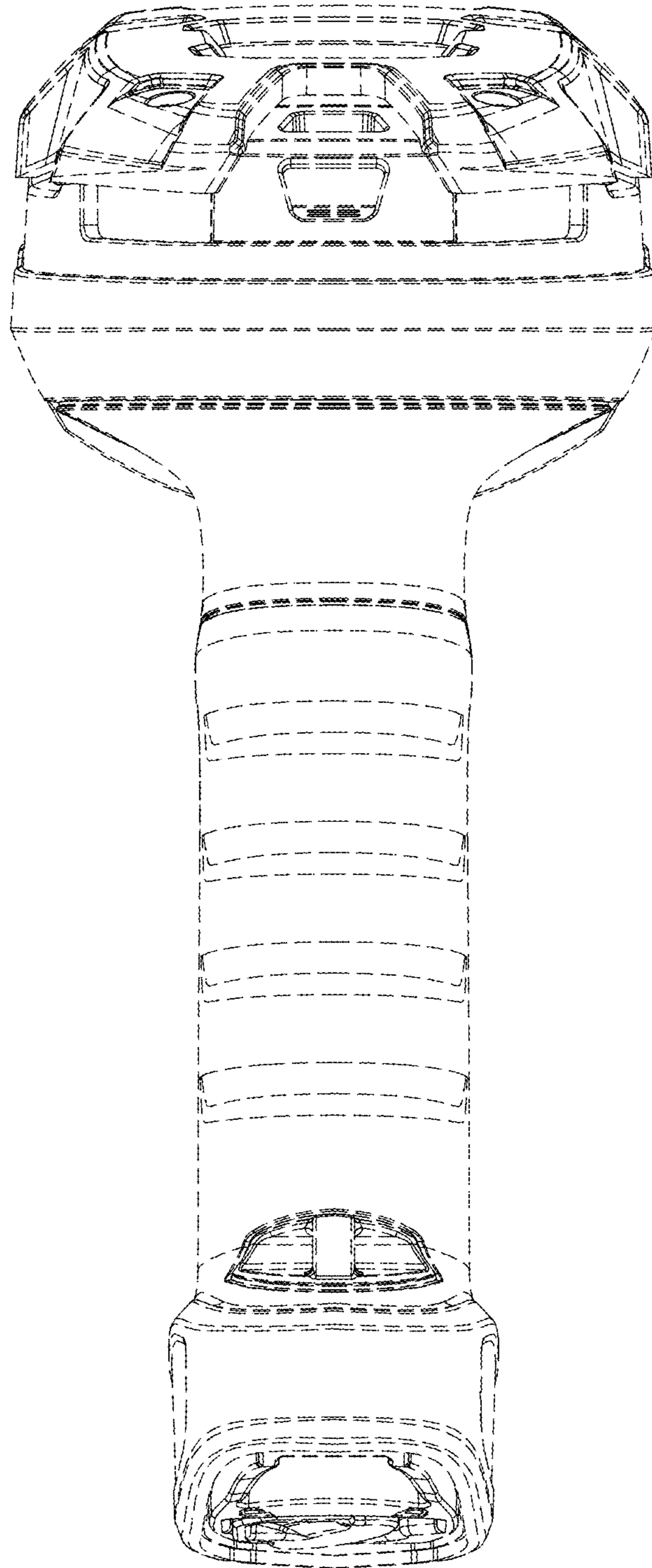


FIG. 4

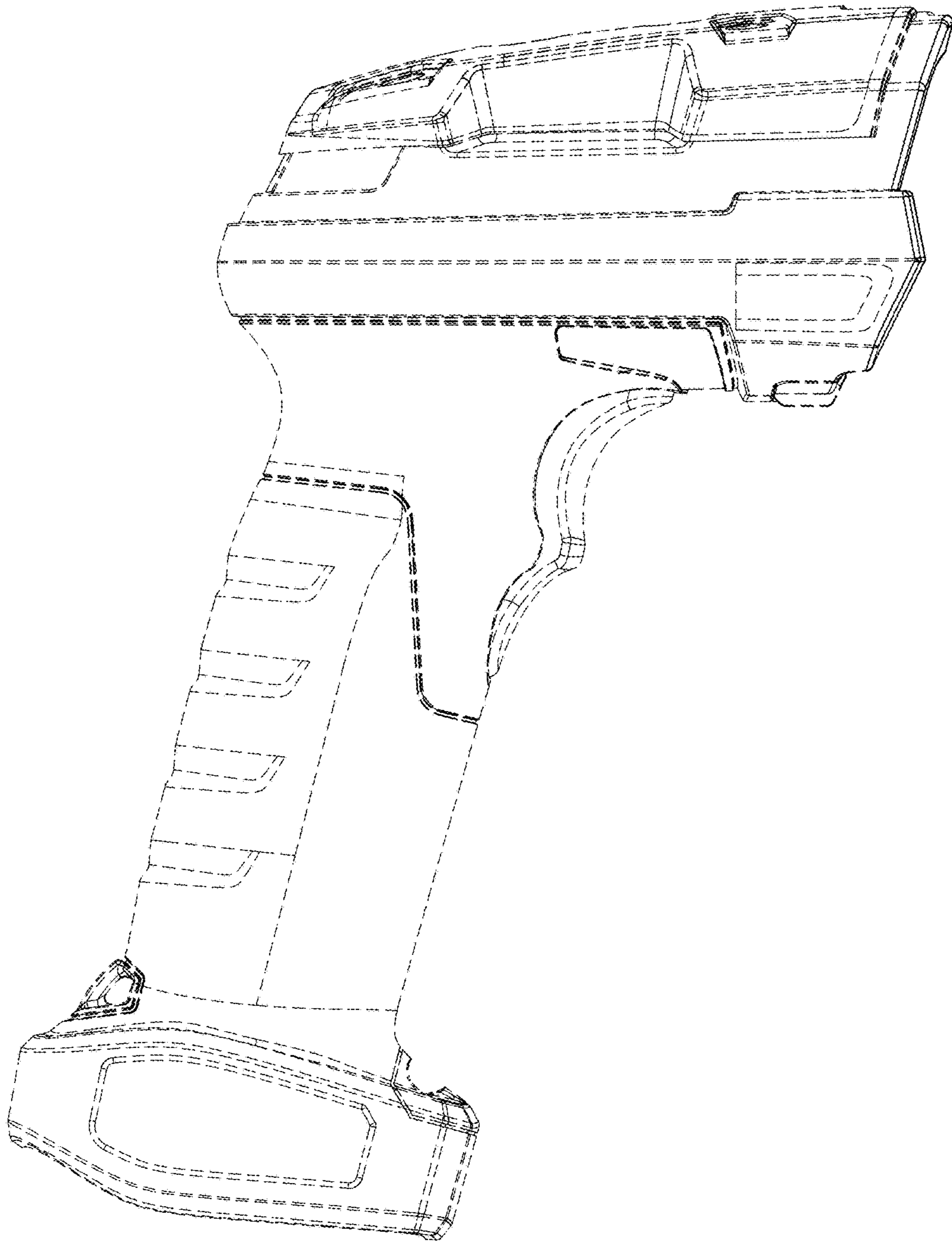


FIG. 5

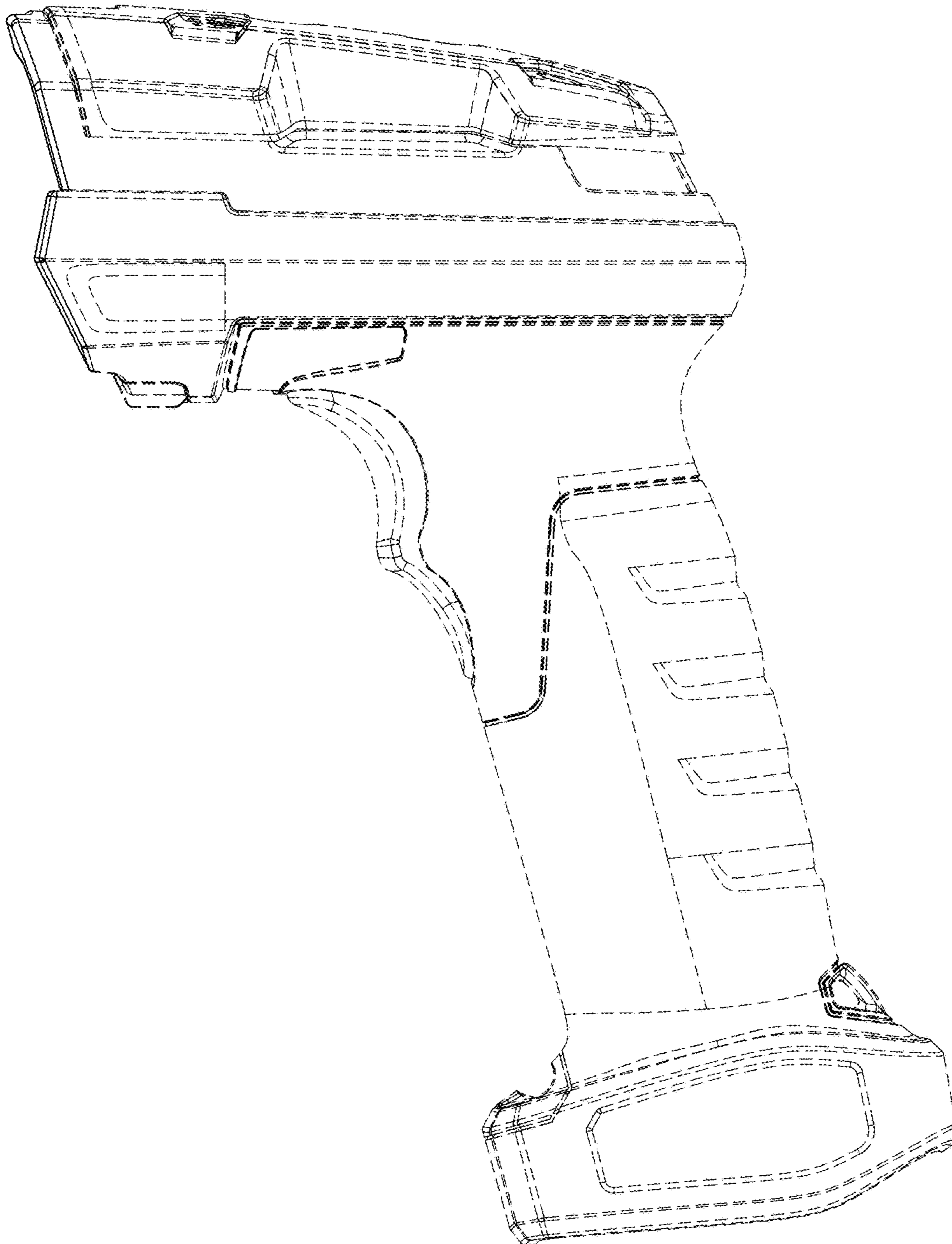


FIG. 6

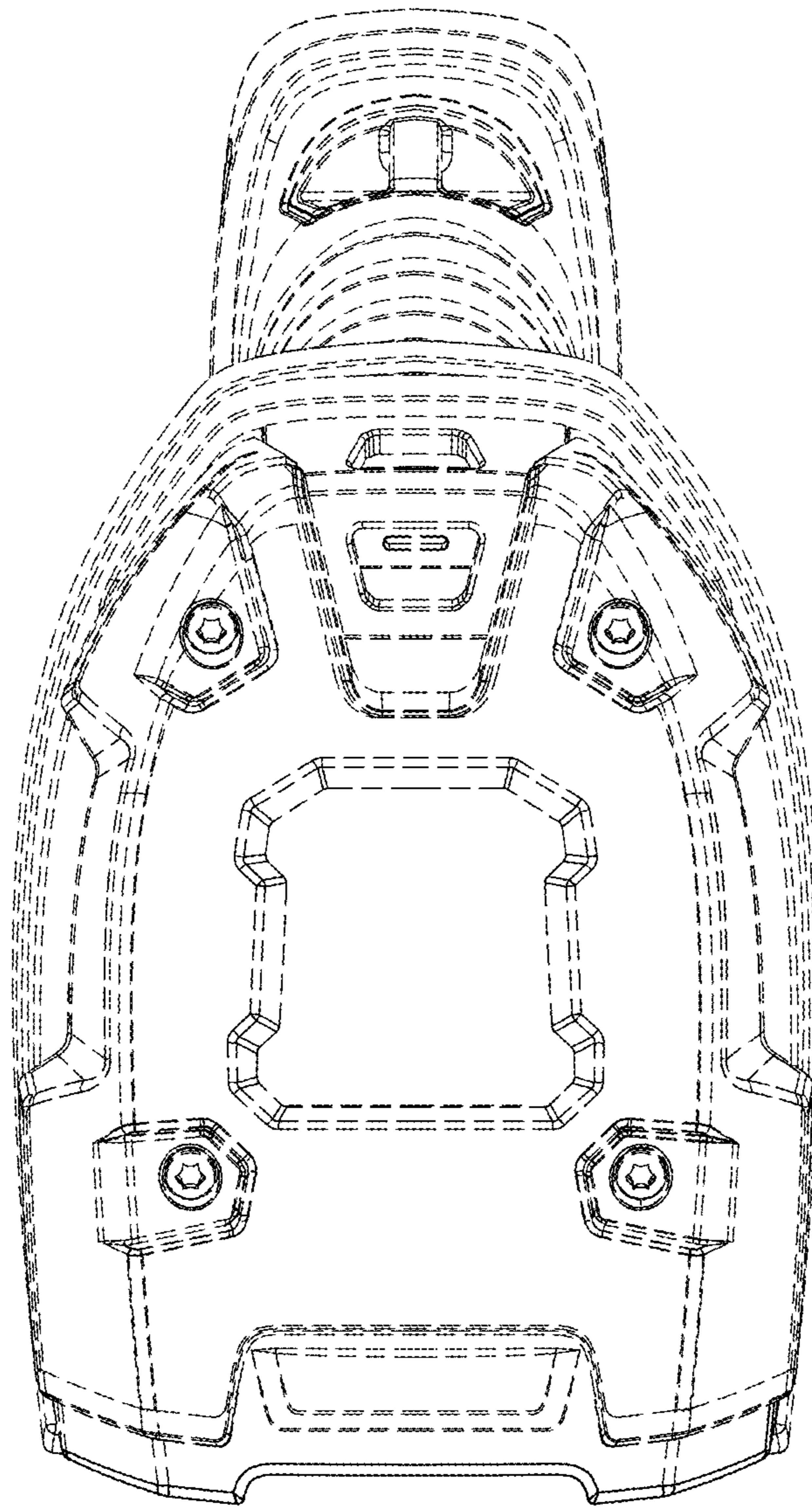


FIG. 7

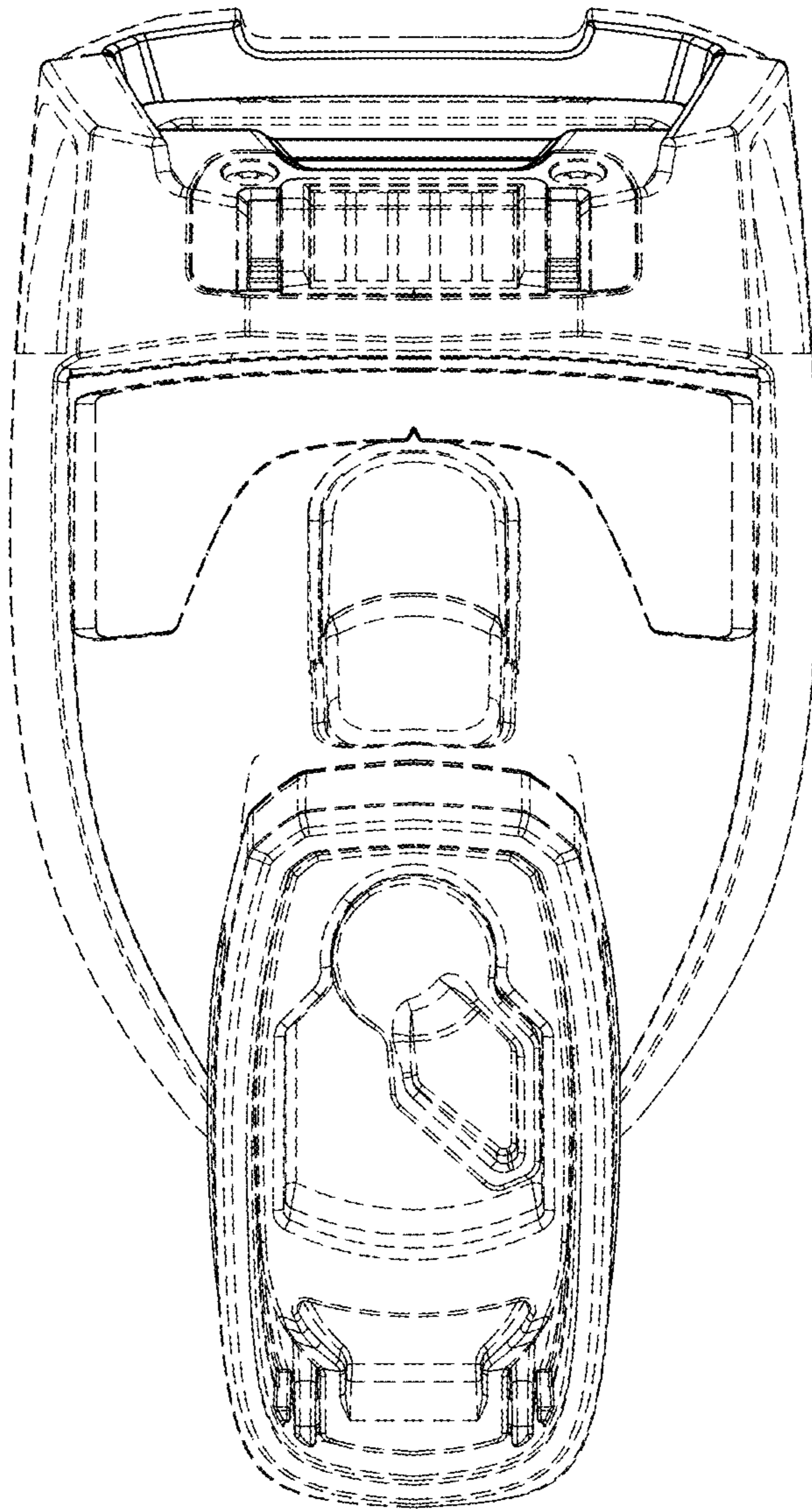


FIG. 8