



US00D804479S

(12) **United States Design Patent**  
**Harris et al.**

(10) **Patent No.:** **US D804,479 S**

(45) **Date of Patent:** **\*\* Dec. 5, 2017**

(54) **CARD READER ENCLOSURE**

D562,818 S \* 2/2008 Chen ..... D14/385  
D563,956 S \* 3/2008 Kato ..... D14/348

(Continued)

(71) Applicants: **Kyle D. Harris**, Melbourne, FL (US);  
**Carlos A. Rodriguez Rivera**,  
Melbourne, FL (US); **Ryan Casey**,  
Amityville, NY (US); **Michael**  
**Colasuono**, West Hempstead, NY (US);  
**Kenneth D. Lemp**, Melbourne, FL  
(US); **Carl H. Patten, III**, Melbourne,  
FL (US)

*Primary Examiner* — Austin Murphy

(74) *Attorney, Agent, or Firm* — Tarolli, Sundheim,  
Covell & Tummino LLP; John A. Yirga, Esq.

(57) **CLAIM**

The ornamental design for card reader enclosure, as shown  
and described.

**DESCRIPTION**

(72) Inventors: **Kyle D. Harris**, Melbourne, FL (US);  
**Carlos A. Rodriguez Rivera**,  
Melbourne, FL (US); **Ryan Casey**,  
Amityville, NY (US); **Michael**  
**Colasuono**, West Hempstead, NY (US);  
**Kenneth D. Lemp**, Melbourne, FL  
(US); **Carl H. Patten, III**, Melbourne,  
FL (US)

This invention was made with government support under  
N00019-15-C-0091 awarded by United States Navy. The  
government has certain rights in the invention.

FIG. 1 is an upper front perspective view of a card reader  
enclosure;

FIG. 2 is an upper rear perspective view thereof;

FIG. 3 is a lower front perspective view thereof;

FIG. 4 is a lower rear perspective view thereof;

FIG. 5 is a top plan view thereof;

FIG. 6 is a bottom plan view thereof;

FIG. 7 is a rear elevation view thereof;

FIG. 8 is a front elevation view thereof;

FIG. 9 is a right side elevation view thereof;

FIG. 10 is a left side elevation view thereof;

FIG. 11 is an upper front perspective view of the card reader  
enclosure in a second usage environment;

FIG. 12 is a lower rear perspective view of the card reader  
enclosure in the second usage environment;

FIG. 13 is a lower front perspective view of the card reader  
enclosure in a third usage environment;

FIG. 14 is a top rear perspective view of the card reader  
enclosure in the third usage environment;

FIG. 15 is an upper perspective exploded assembly view  
thereof;

FIG. 16 is a lower perspective exploded assembly view  
thereof;

FIG. 17 is a top plan exploded assembly view thereof;

FIG. 18 is a front elevation assembly view thereof;

FIG. 19 is a rear elevation exploded assembly view thereof;

FIG. 20 is a section view of FIG. 5 along section lines 20-20;  
and,

FIG. 21 is a section view of FIG. 5 along section lines 21-21.

(Continued)

(73) Assignee: **Northrop Grumman Systems**  
**Corporation**, Falls Church, VA (US)

(\*\*) Term: **15 Years**

(21) Appl. No.: **29/585,835**

(22) Filed: **Nov. 29, 2016**

(51) **LOC (10) Cl.** ..... **14-02**

(52) **U.S. Cl.**  
USPC ..... **D14/385**

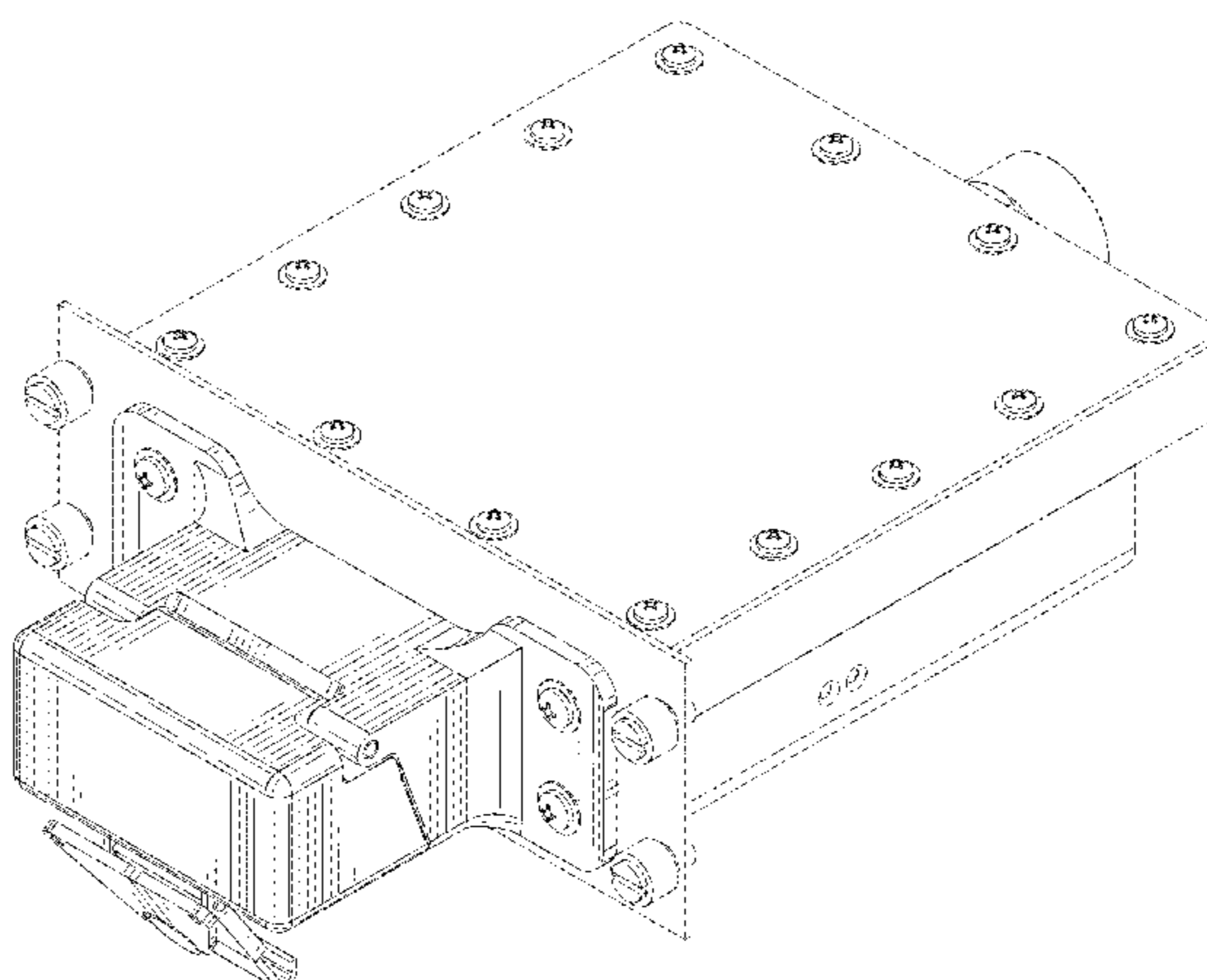
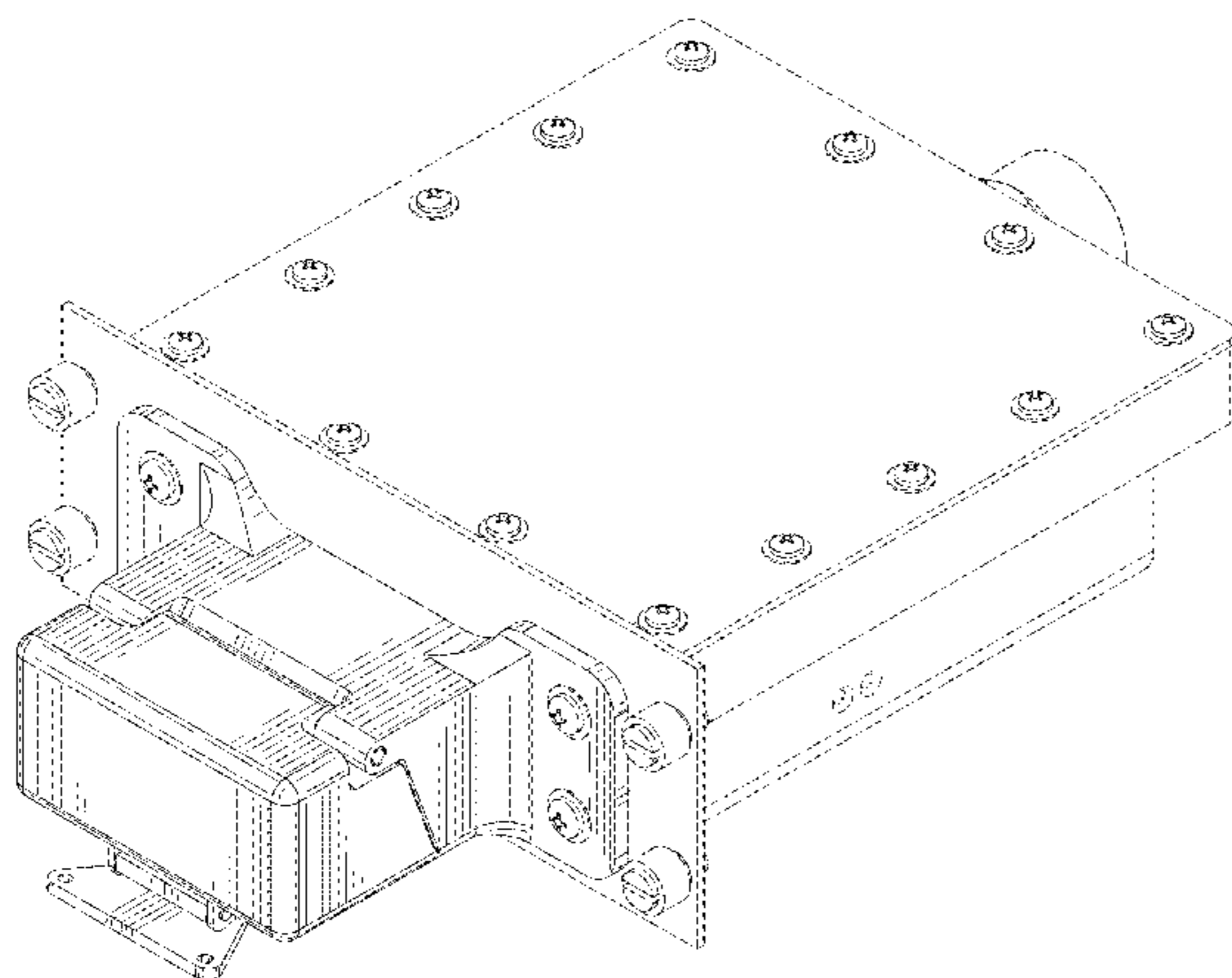
(58) **Field of Classification Search**  
USPC ..... D14/356-358, 383-385, 420, 426, 427,  
D14/432-439, 447, 453, 454, 217, 253,

(Continued)

(56) **References Cited**

**U.S. PATENT DOCUMENTS**

5,309,315 A 5/1994 Naedel et al.  
D469,761 S \* 2/2003 Nussberger ..... D14/341  
6,532,152 B1 3/2003 White et al.  
D477,321 S \* 7/2003 Baughman ..... D14/385  
6,944,022 B1 9/2005 Kehret et al.



The broken lines showing an unclaimed portion of the card reader enclosure is included for the purpose of illustrating environment and forms no part of the claimed design.

**1 Claim, 21 Drawing Sheets**

(58) **Field of Classification Search**

USPC ..... D14/299; D13/107, 108, 133, 146, 147,  
D13/152, 154, 156, 158, 162, 162.1, 168,  
D13/173, 177, 102; 235/441, 451, 492,  
235/380, 439, 375; 361/679.31, 600,  
361/679.01, 679.02

CPC .... G06Q 20/347; G06Q 20/322; G06Q 40/02;  
G06Q 30/06; G07F 7/0886

See application file for complete search history.

(56) **References Cited**

U.S. PATENT DOCUMENTS

D576,164 S *	9/2008	Takahashi .....	D14/385
D577,038 S *	9/2008	Nakamura .....	D14/385
D586,813 S *	2/2009	Colburn .....	D14/385
D711,875 S *	8/2014	Daniel .....	D14/385
D712,902 S *	9/2014	Daniel .....	D14/385
D730,355 S *	5/2015	Daniel .....	D14/307
D764,468 S *	8/2016	Yamamiya .....	D14/385
D771,629 S *	11/2016	Yang .....	D14/385
D774,510 S *	12/2016	Rotsaert .....	D14/385
D791,223 S *	7/2017	Blanc .....	D14/385
D792,405 S *	7/2017	Bousfield .....	D14/385
2005/0285990 A1	12/2005	Havelka et al.	

\* cited by examiner

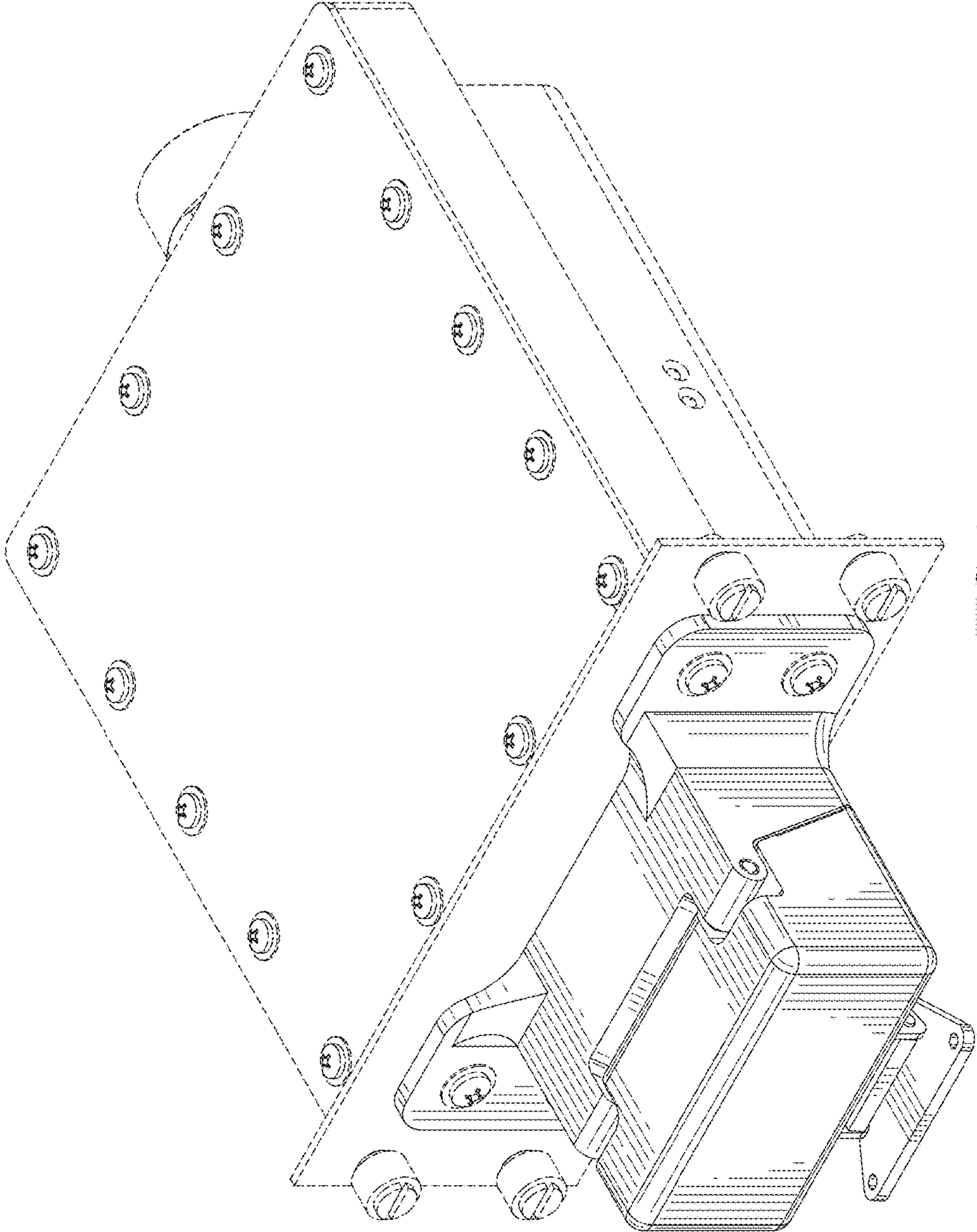


FIG. 1

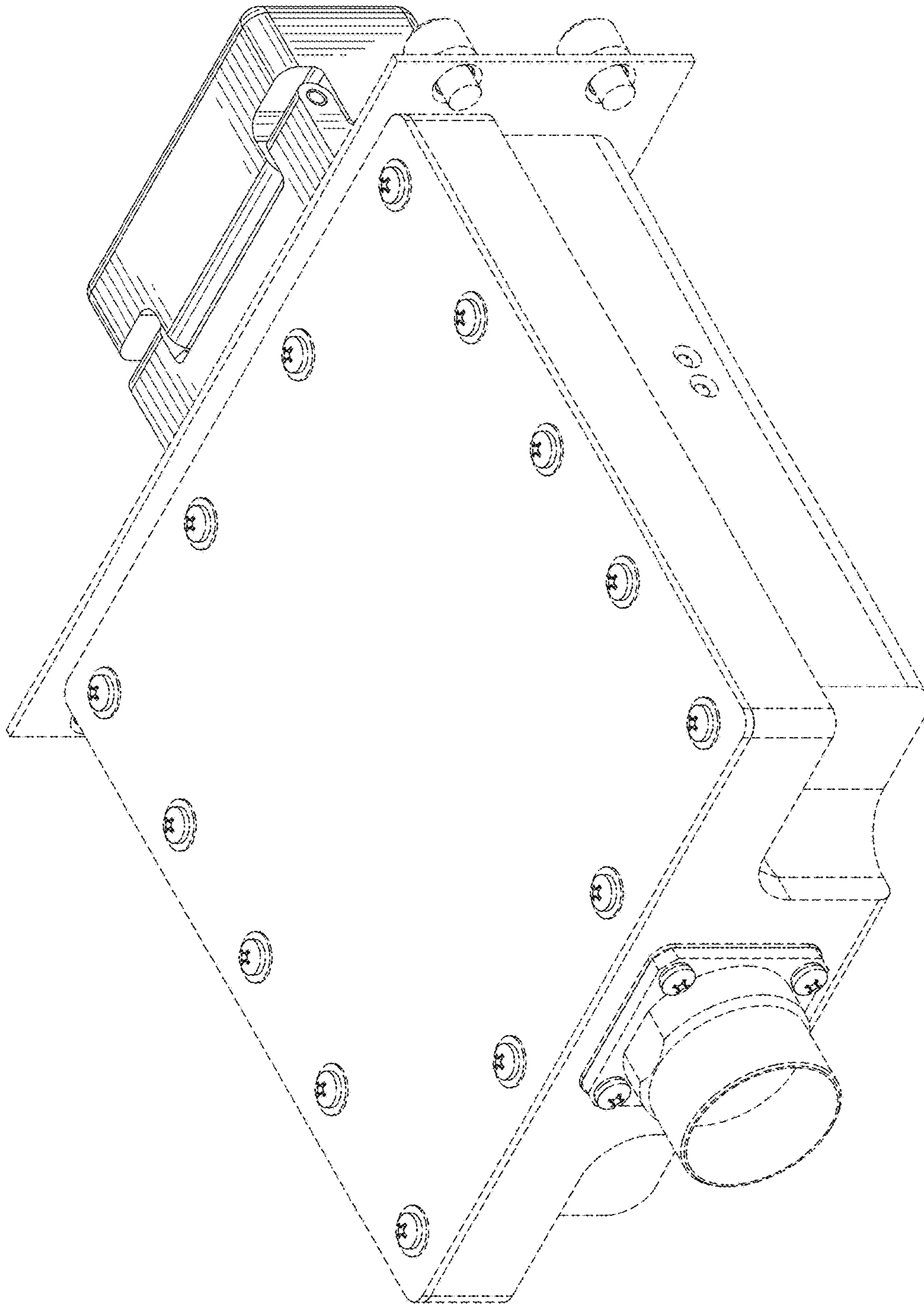


FIG. 2

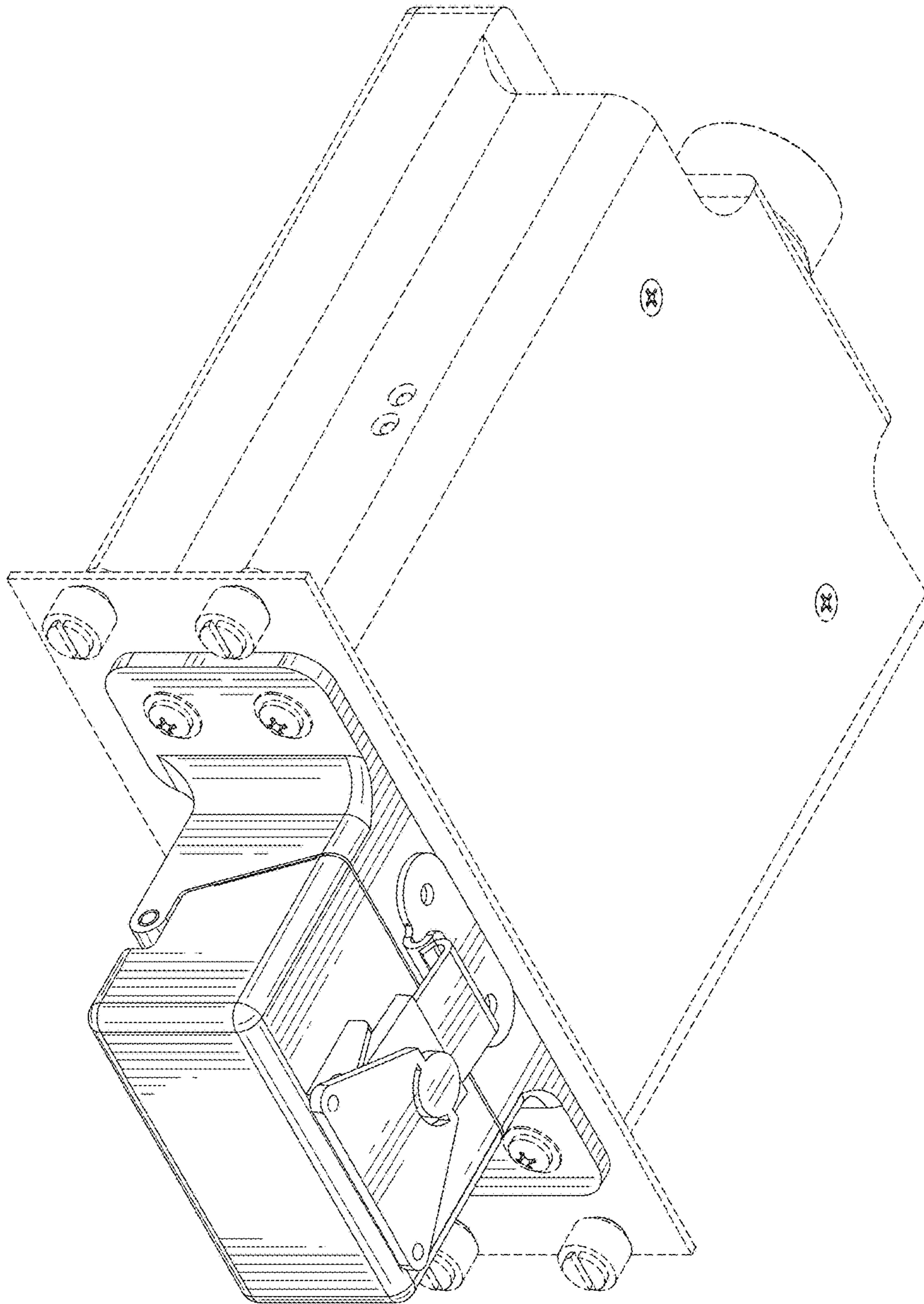


FIG. 3

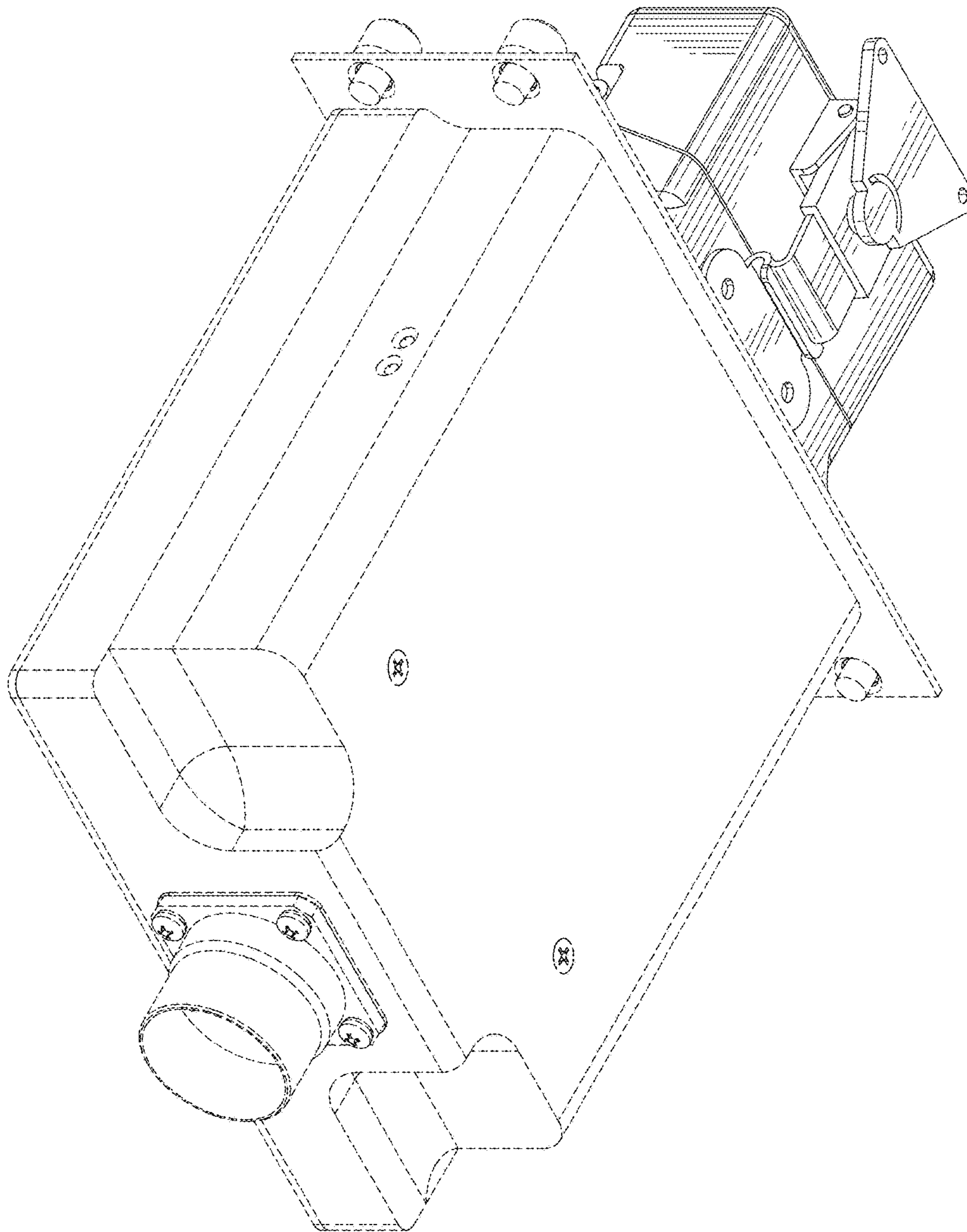
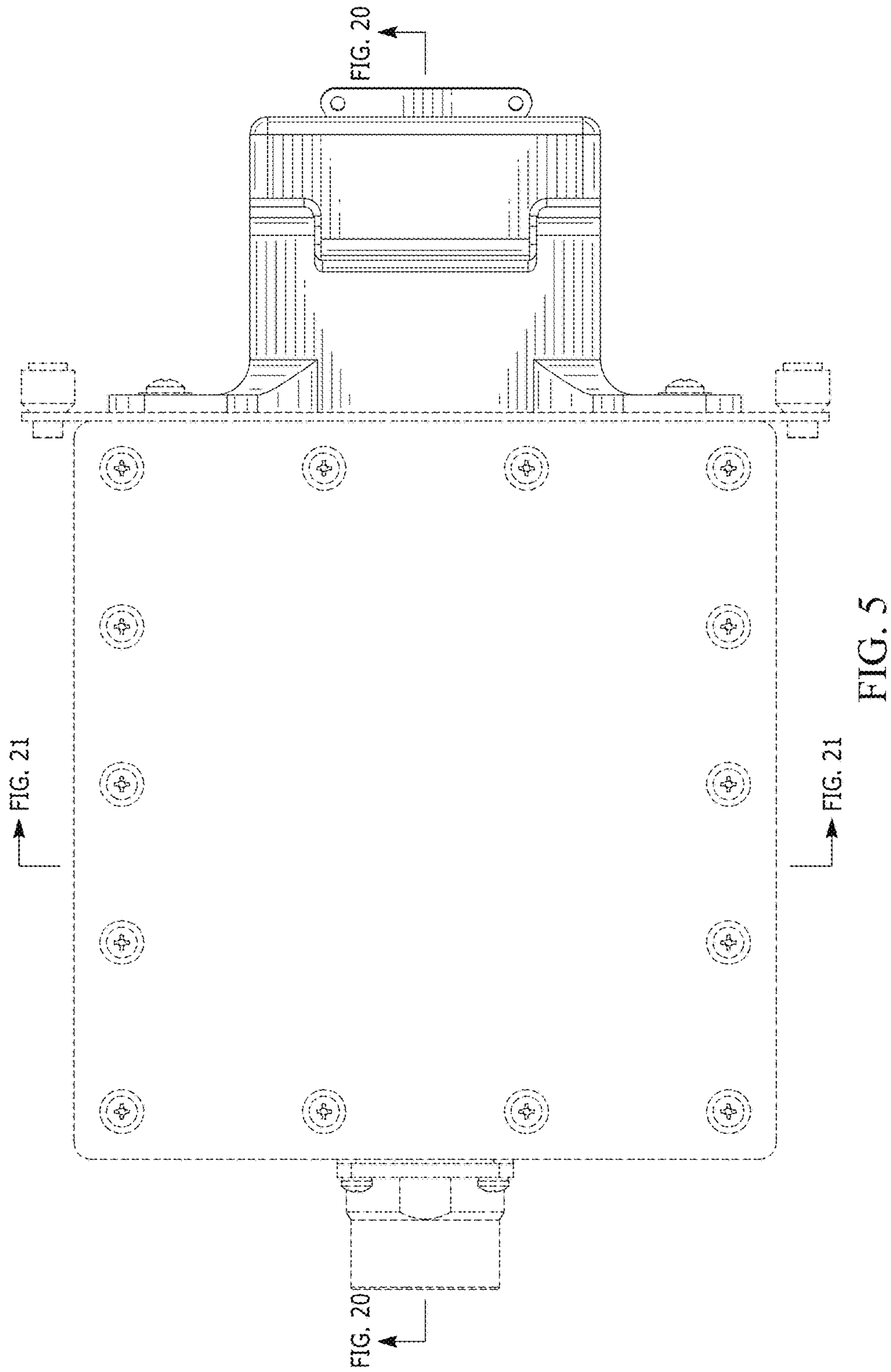


FIG. 4



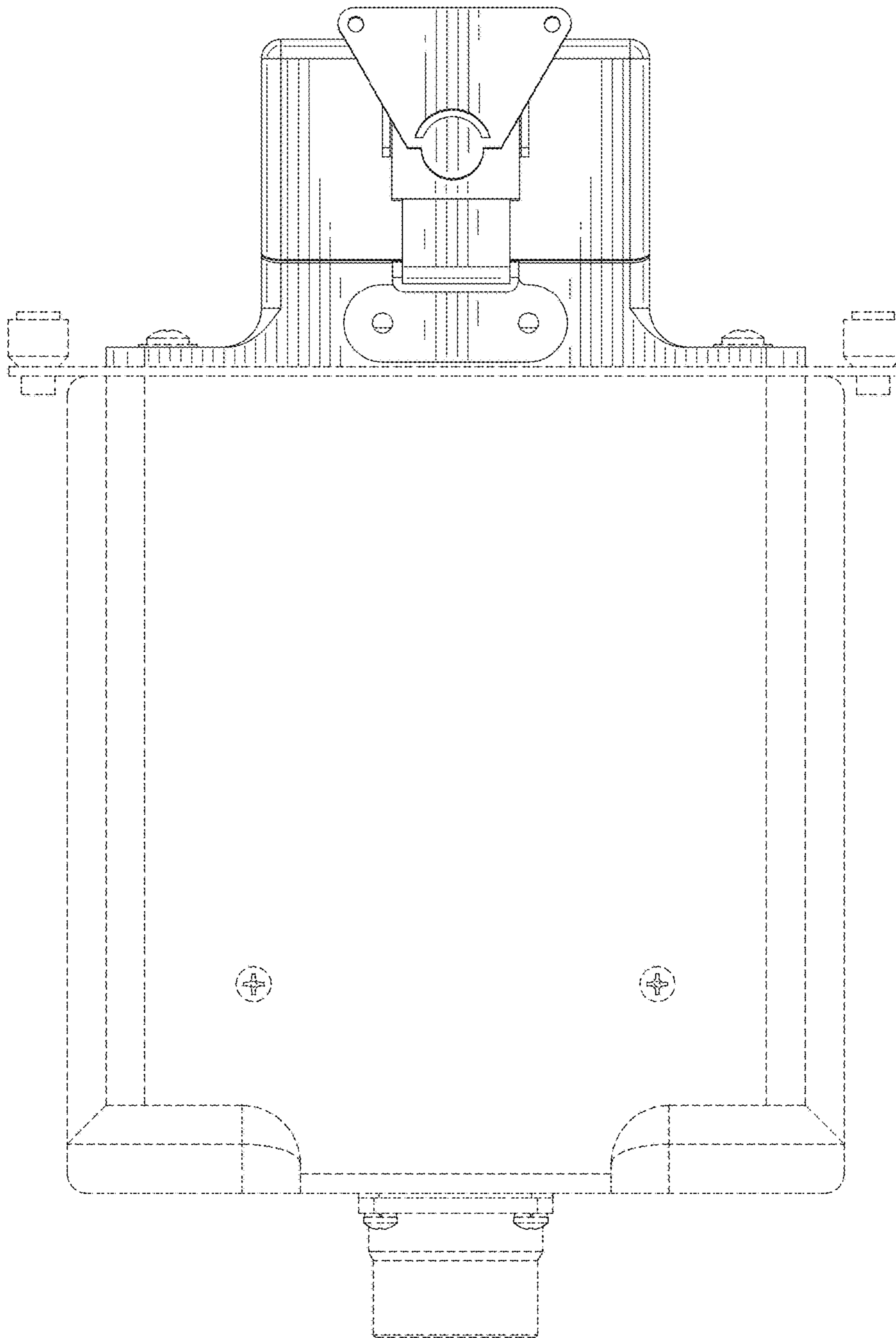


FIG. 6



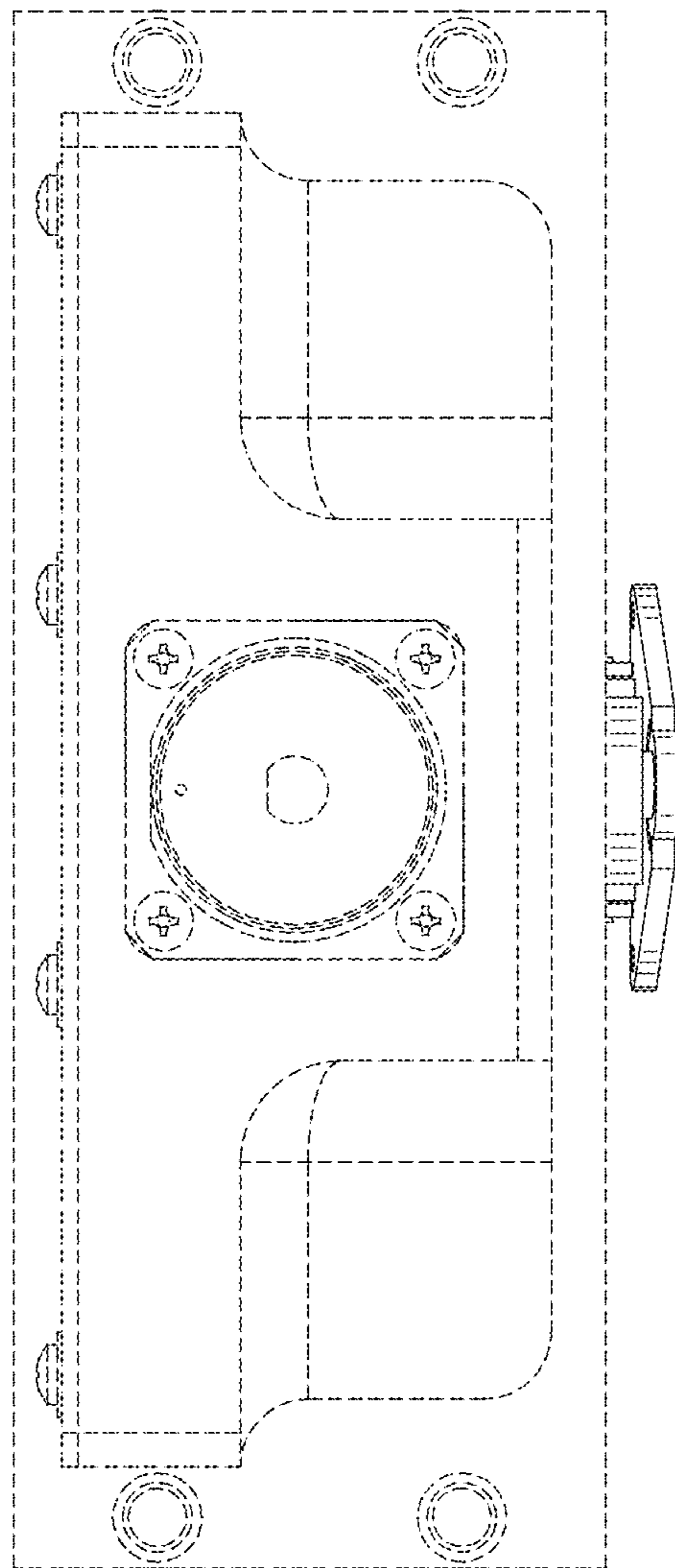


FIG. 7

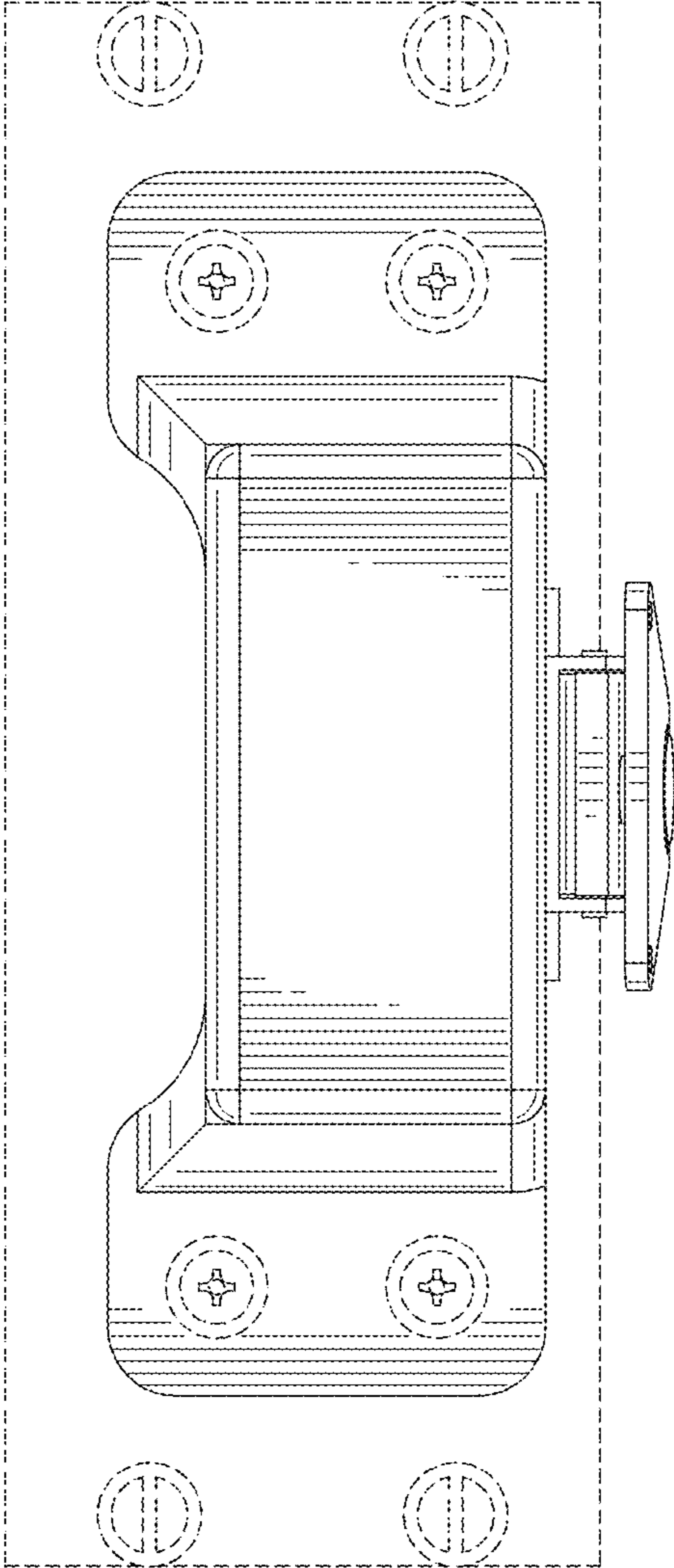


FIG. 8

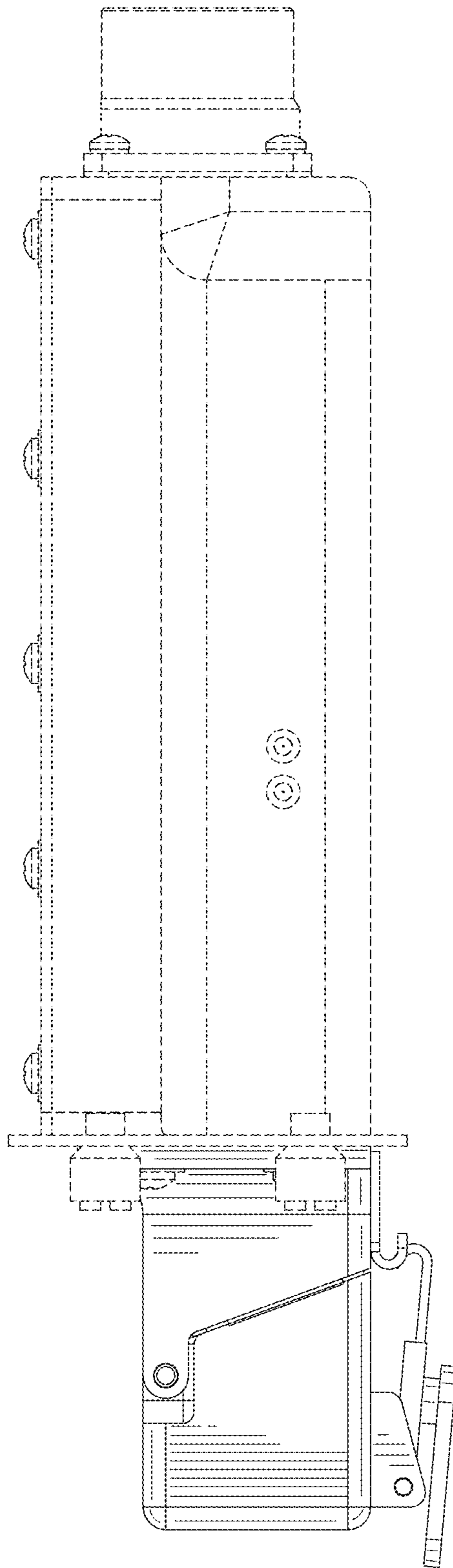


FIG. 9

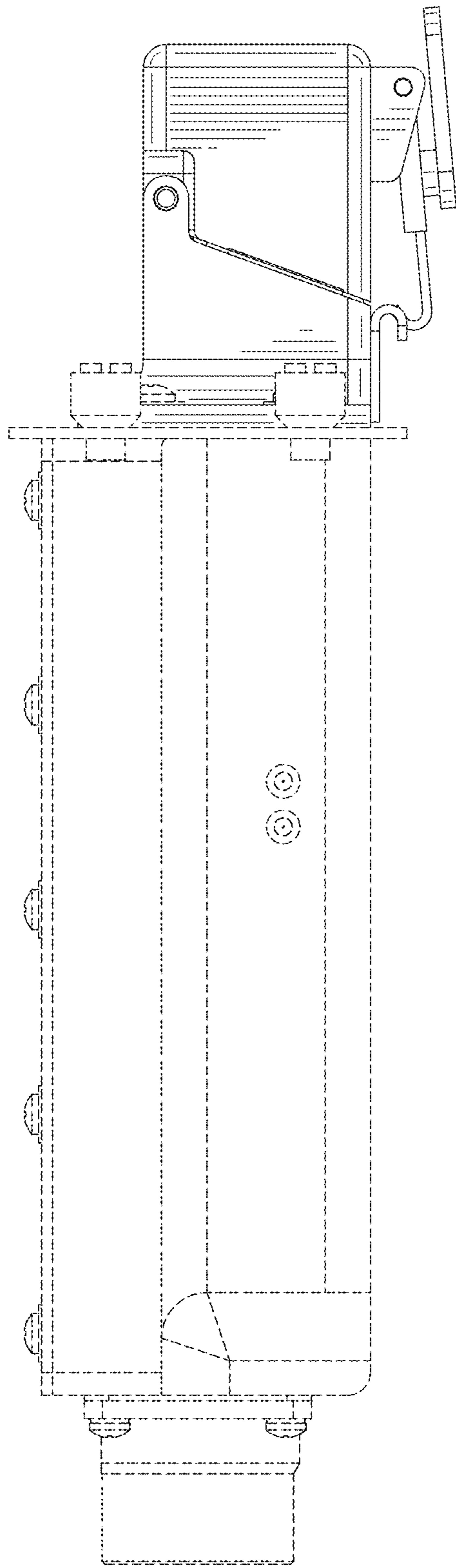


FIG. 10

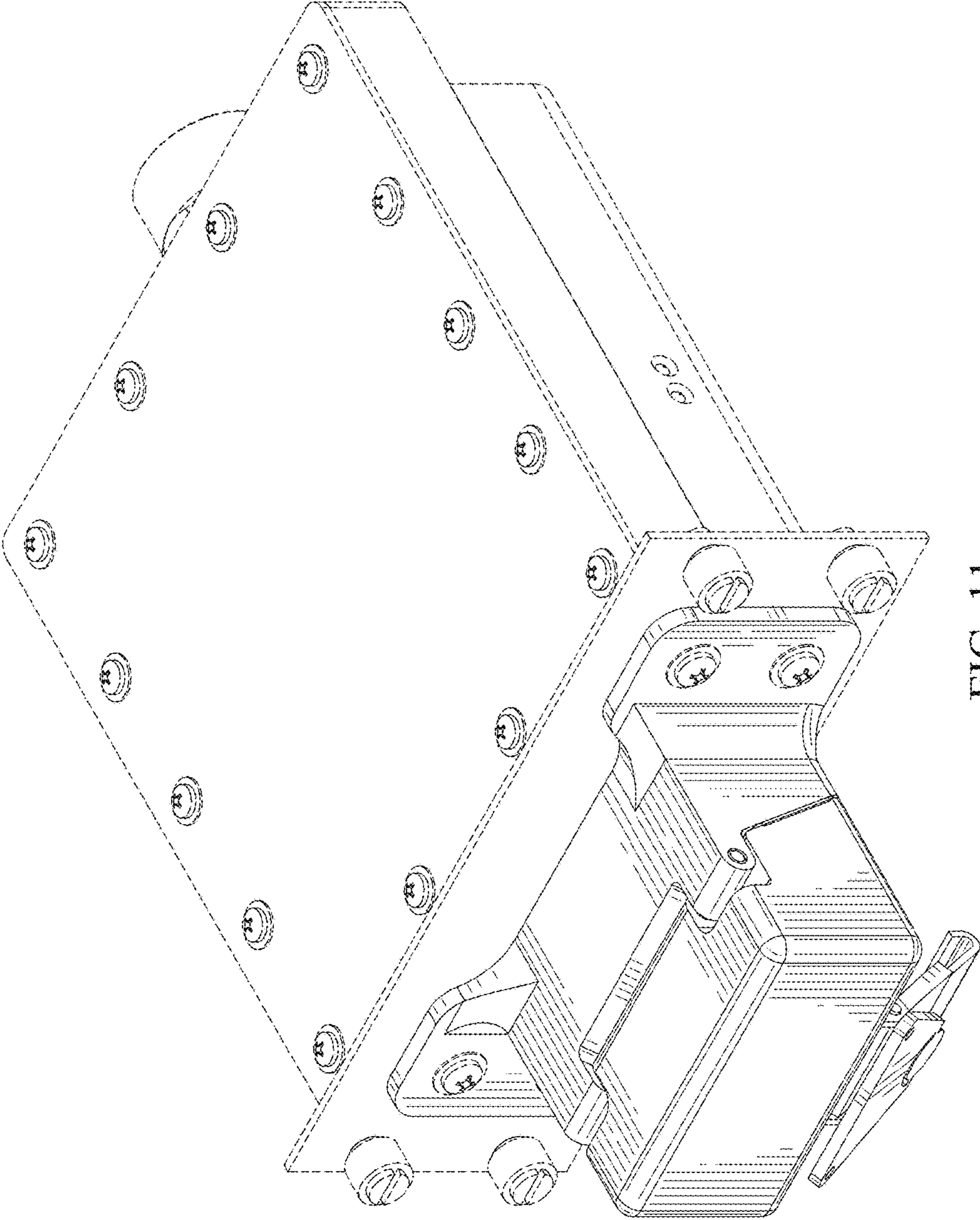


FIG. 11

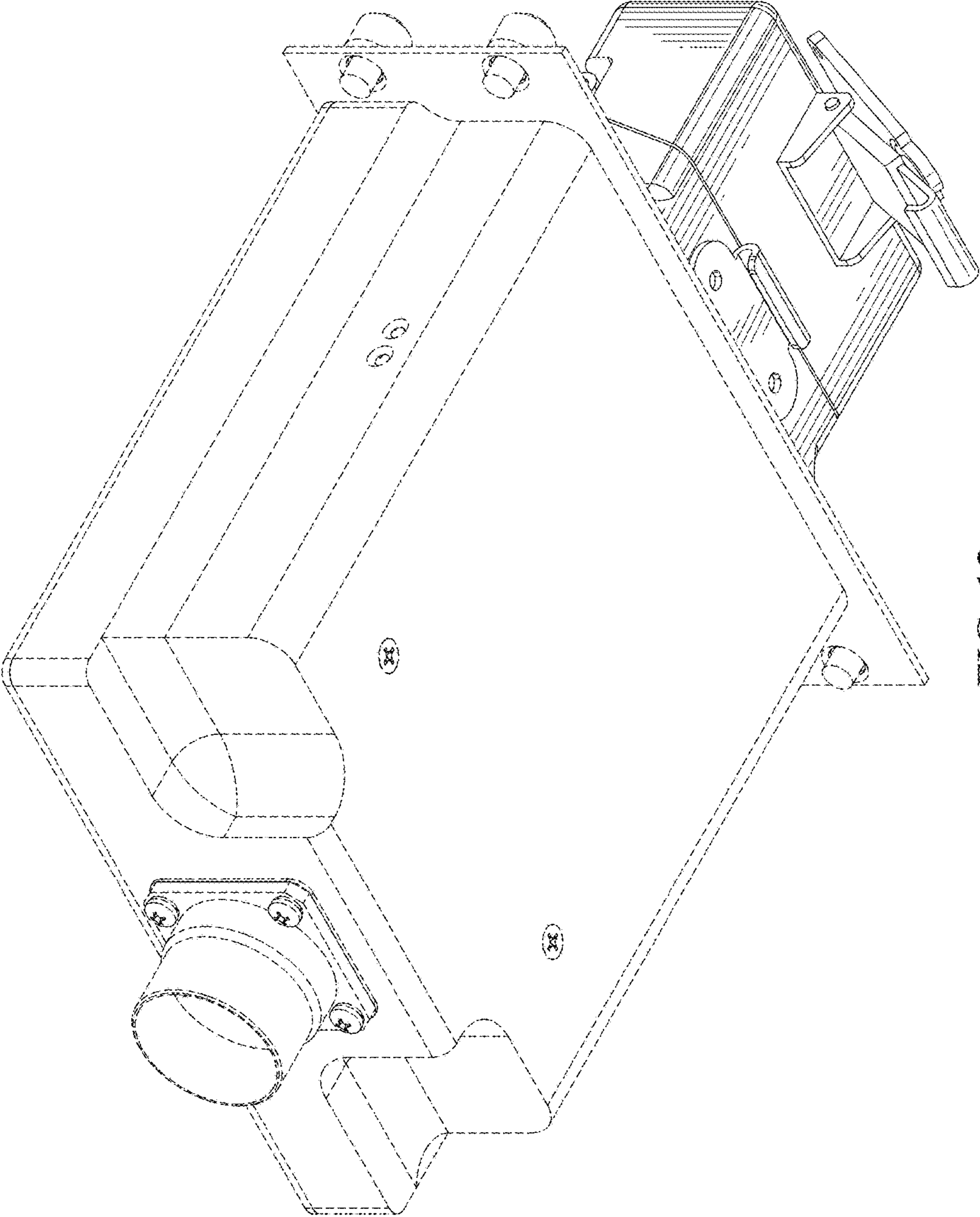


FIG. 12

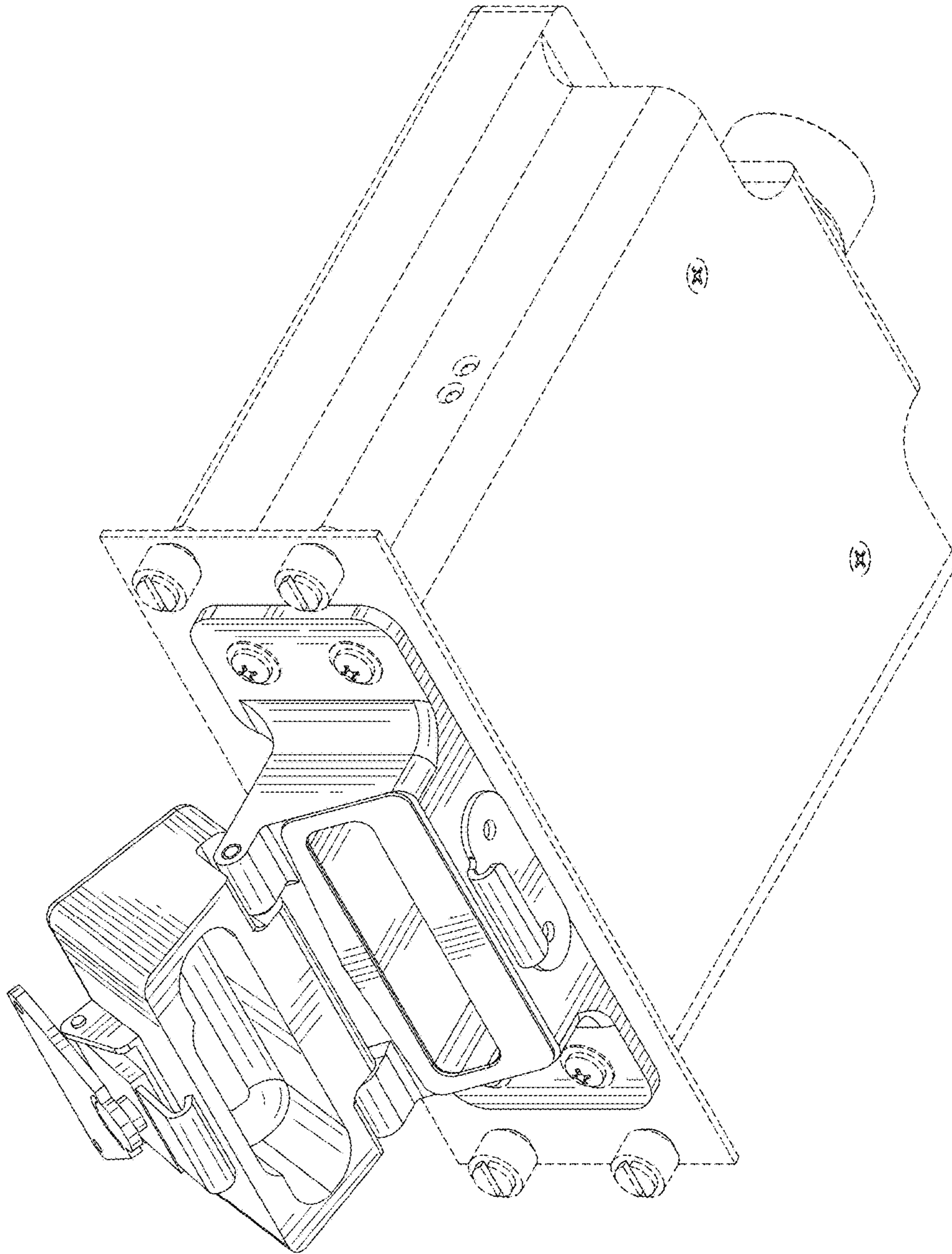


FIG. 13

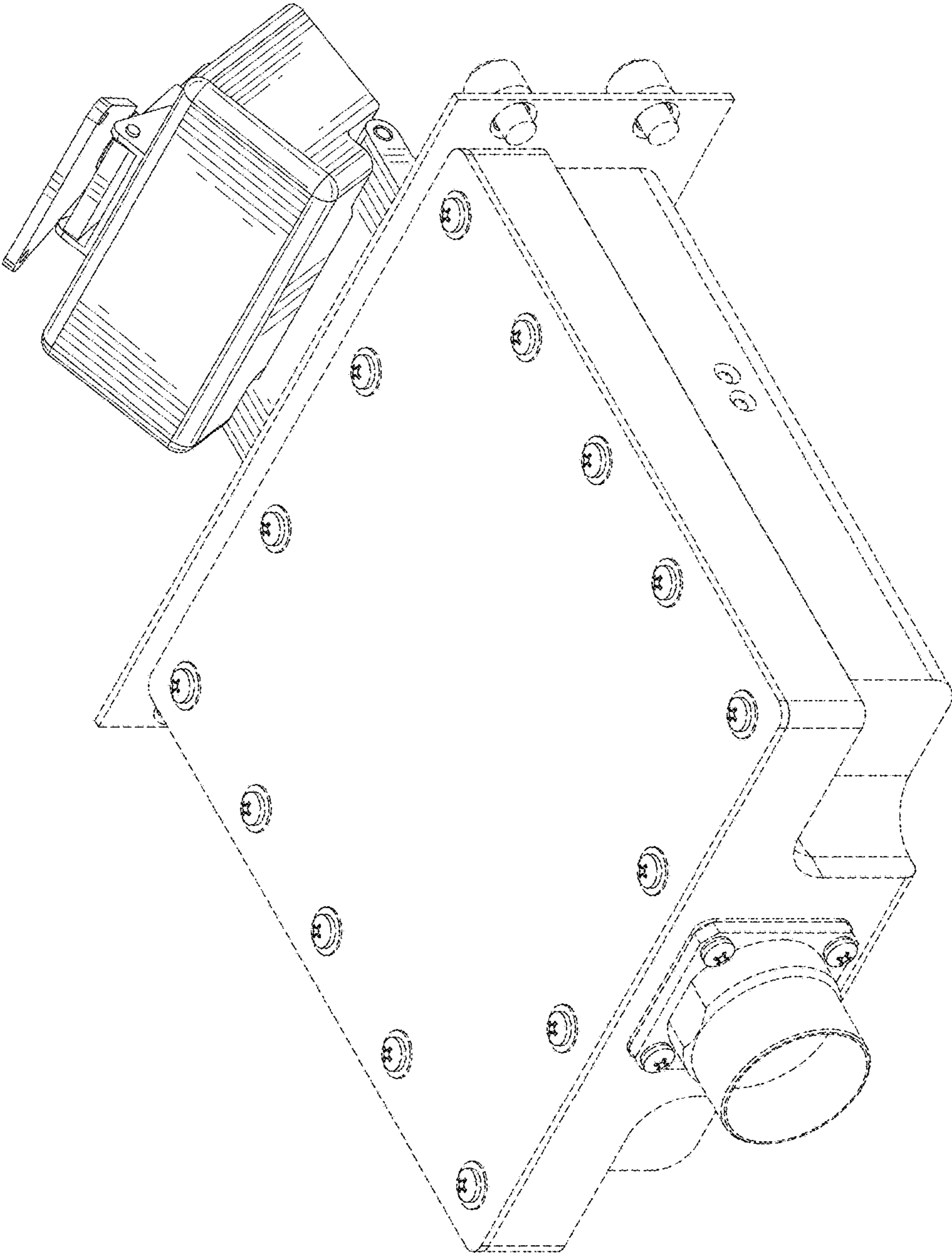


FIG. 14



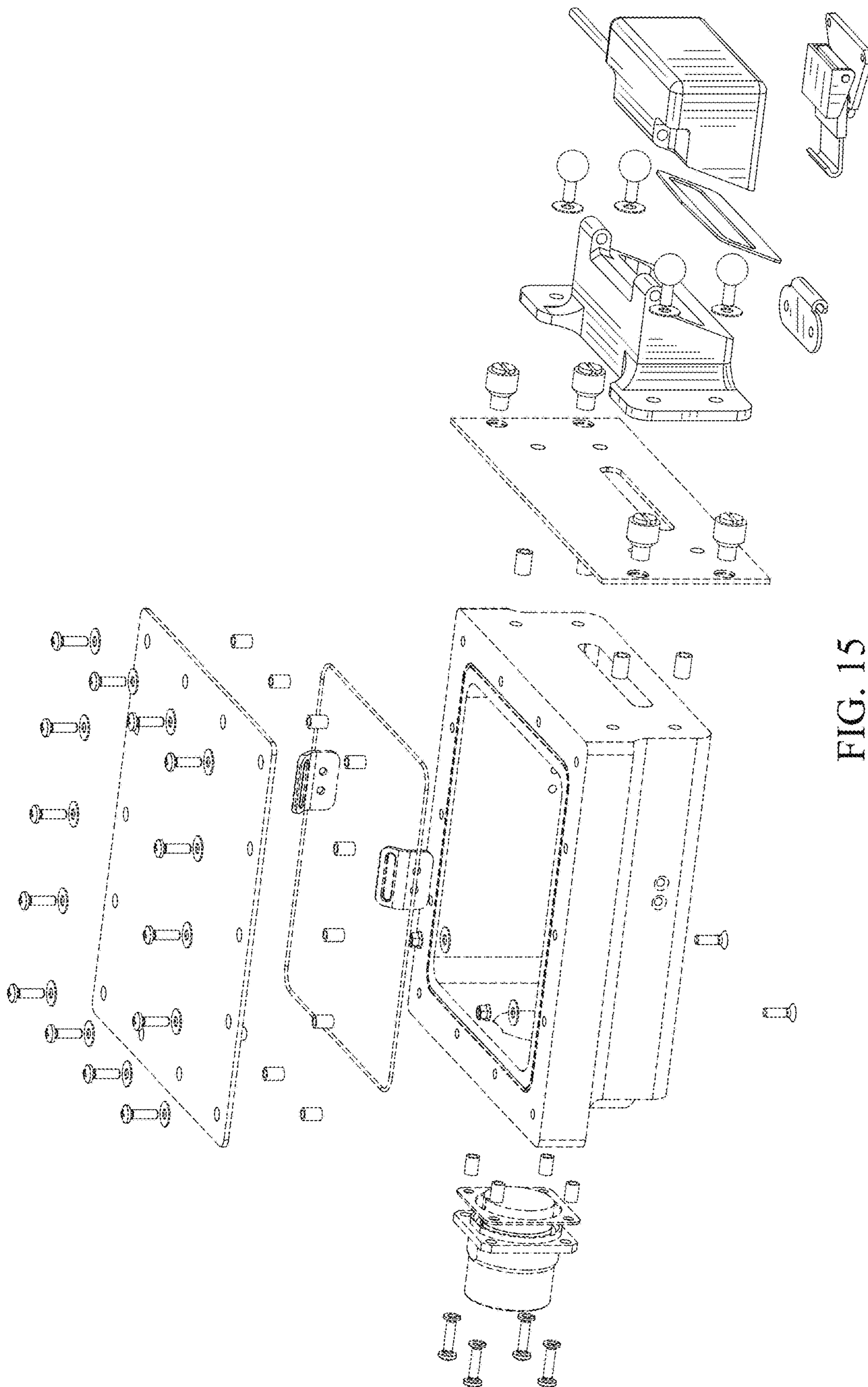


FIG. 15

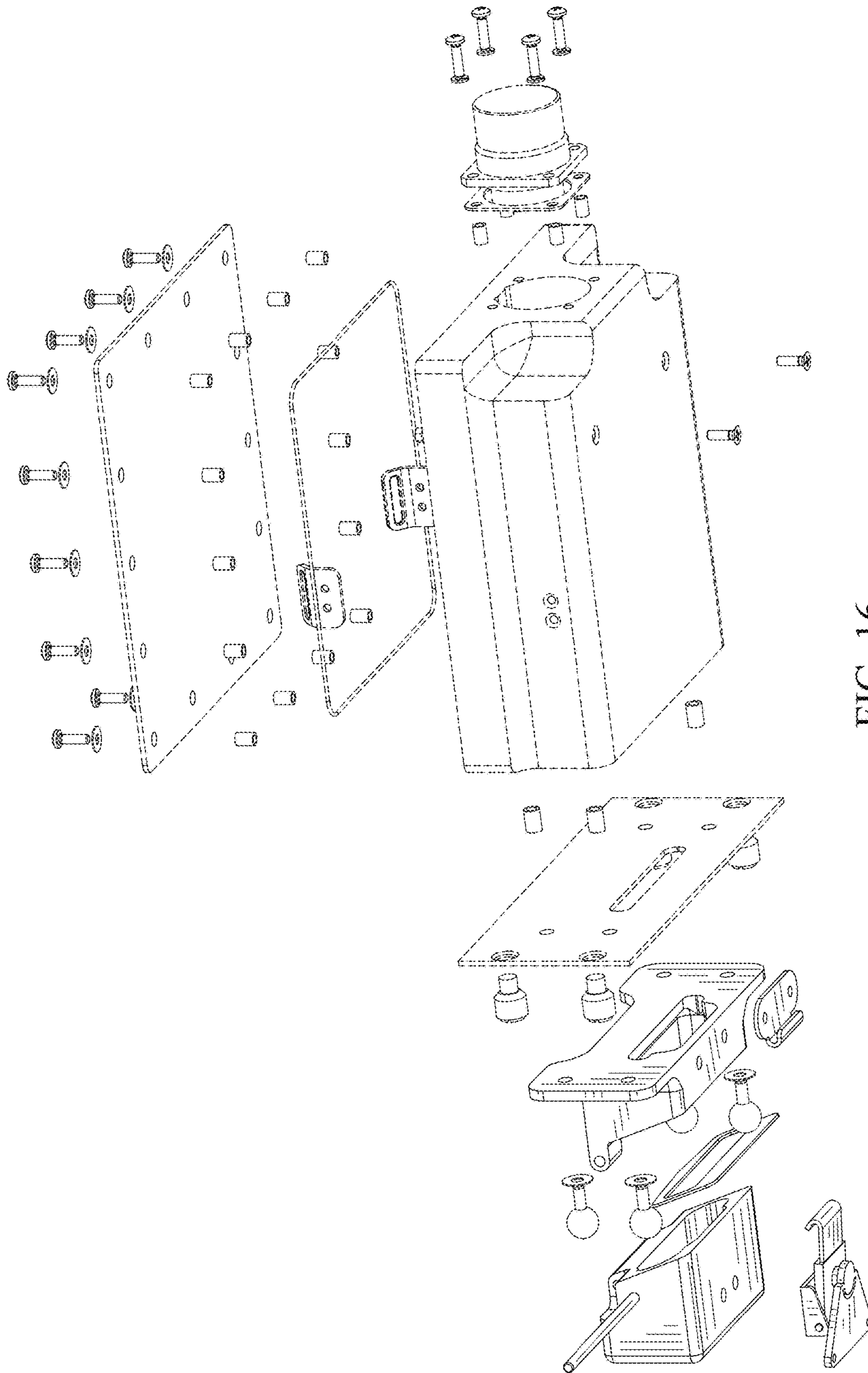


FIG. 16

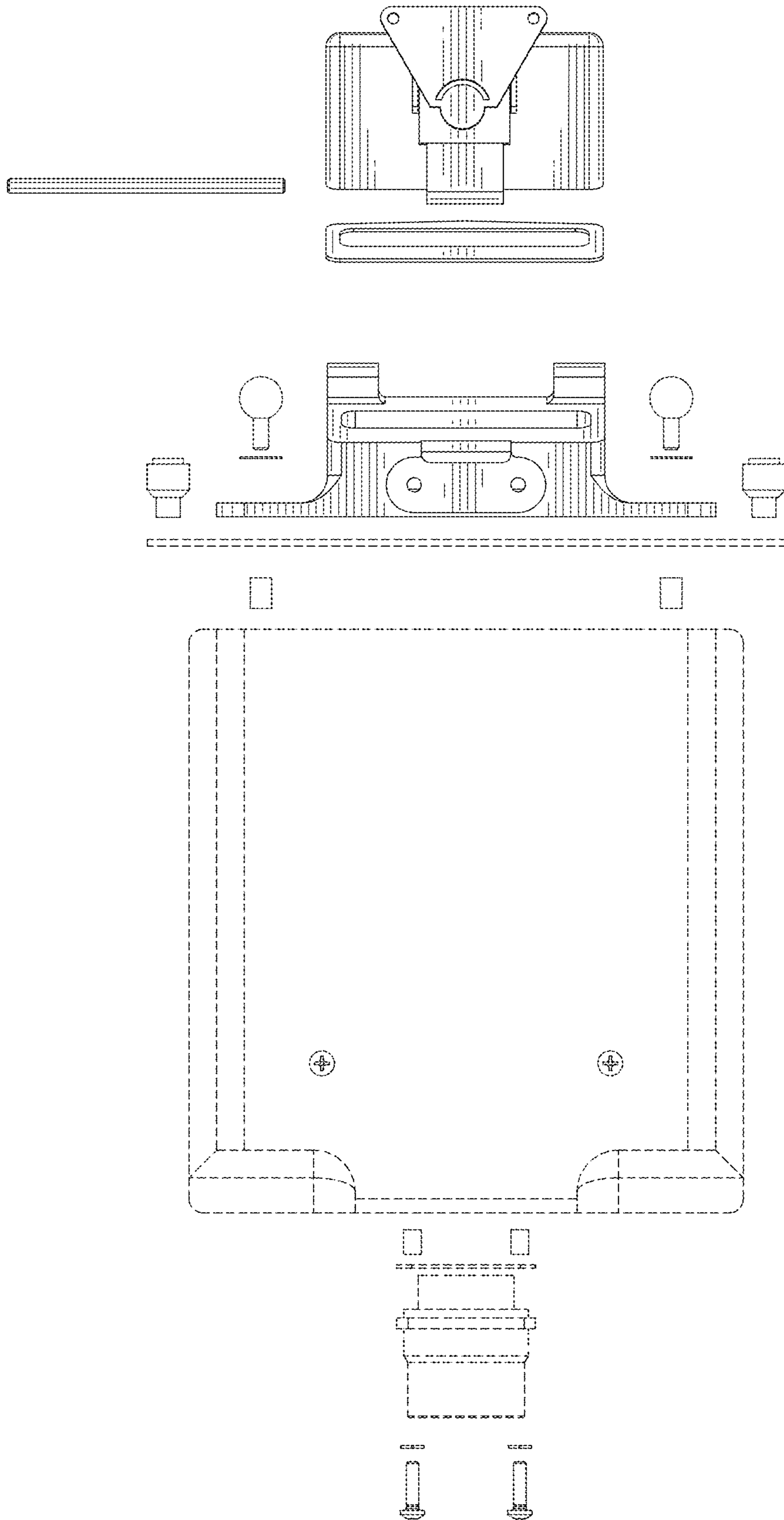


FIG. 17

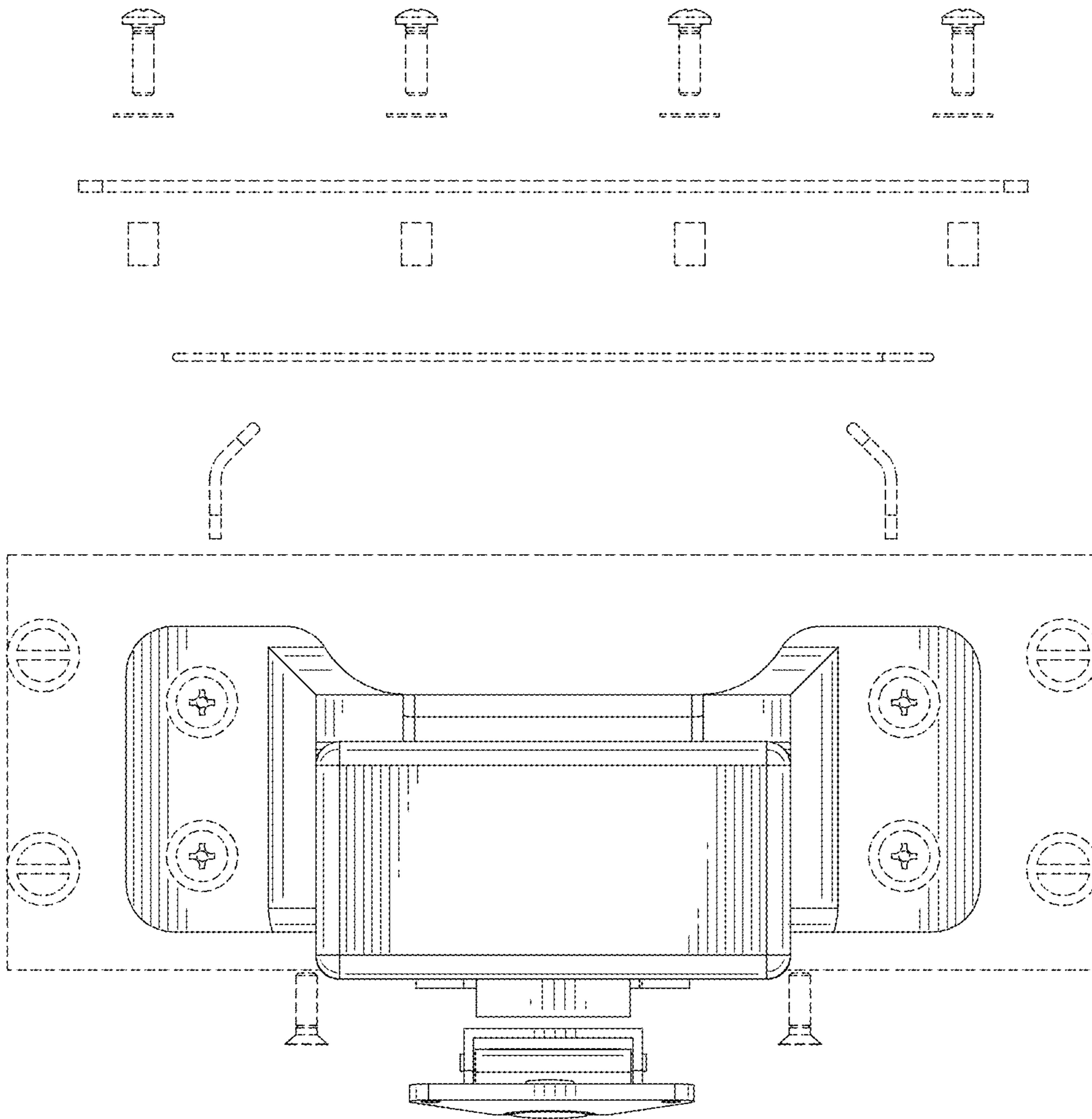


FIG. 18

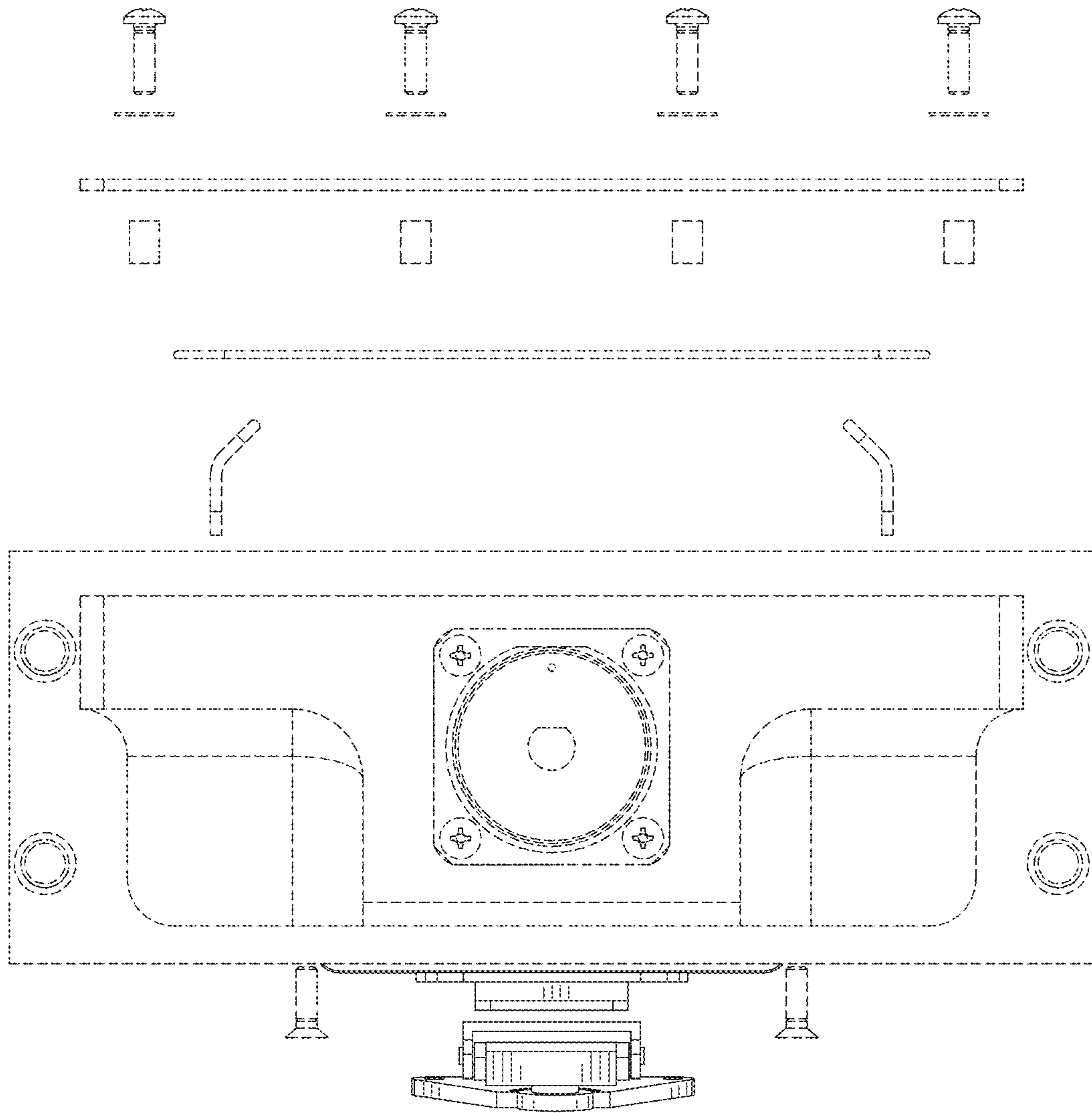


FIG. 19

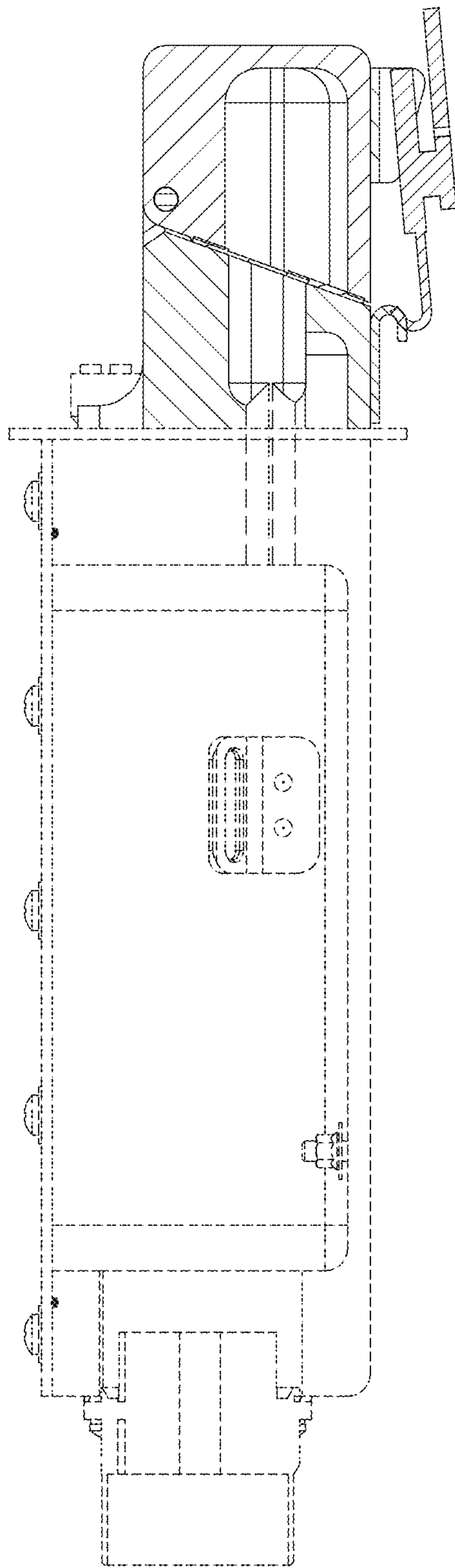


FIG. 20

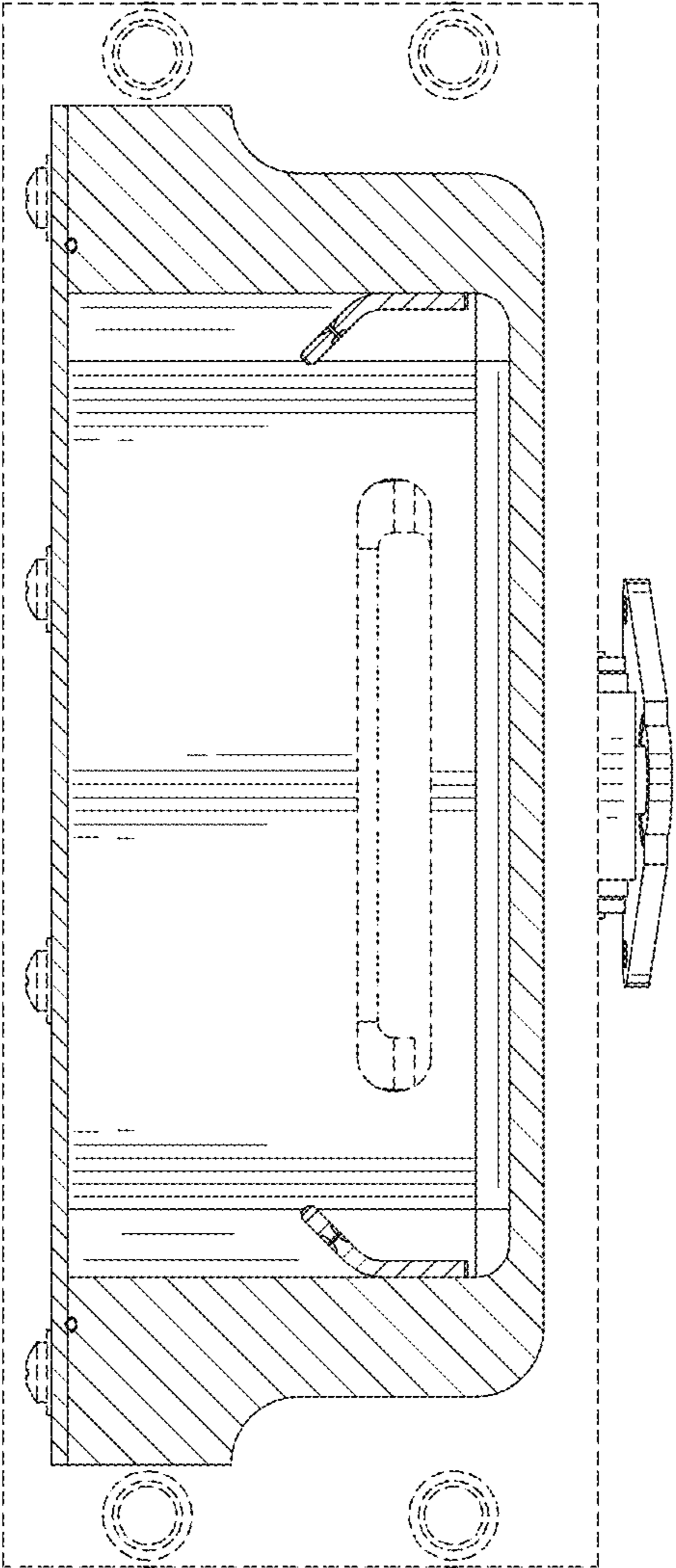


FIG. 21